

[54] **PAPER AND DOCUMENT HANDLING APPARATUS**

[75] **Inventor: Peter Bressler, Philadelphia, Pa.**

[73] **Assignee: Brandt, Inc., Watertown, Wis.**

[\*\*] **Term: 14 Years**

[21] **Appl. No.: 305,991**

[22] **Filed: Sep. 28, 1981**

[52] **U.S. Cl. .... D14/110**

[58] **Field of Search ..... D14/110; D18/11, 13, D18/22; D16/32; 271/177, 178, 187, 219, 315**

[56] **References Cited**

**U.S. PATENT DOCUMENTS**

3,912,255 10/1975 McNerny ..... 271/315

*Primary Examiner*—Susan J. Lucas

*Attorney, Agent, or Firm*—Weinstein & Sutton

[57] **CLAIM**

The ornamental design for a paper and document handling apparatus, as shown and described.

**DESCRIPTION**

FIG. 1 is a front perspective view of the top, front and right-hand side of a paper and document handling apparatus showing my new design;

FIG. 2 is an enlarged top plan view thereof;

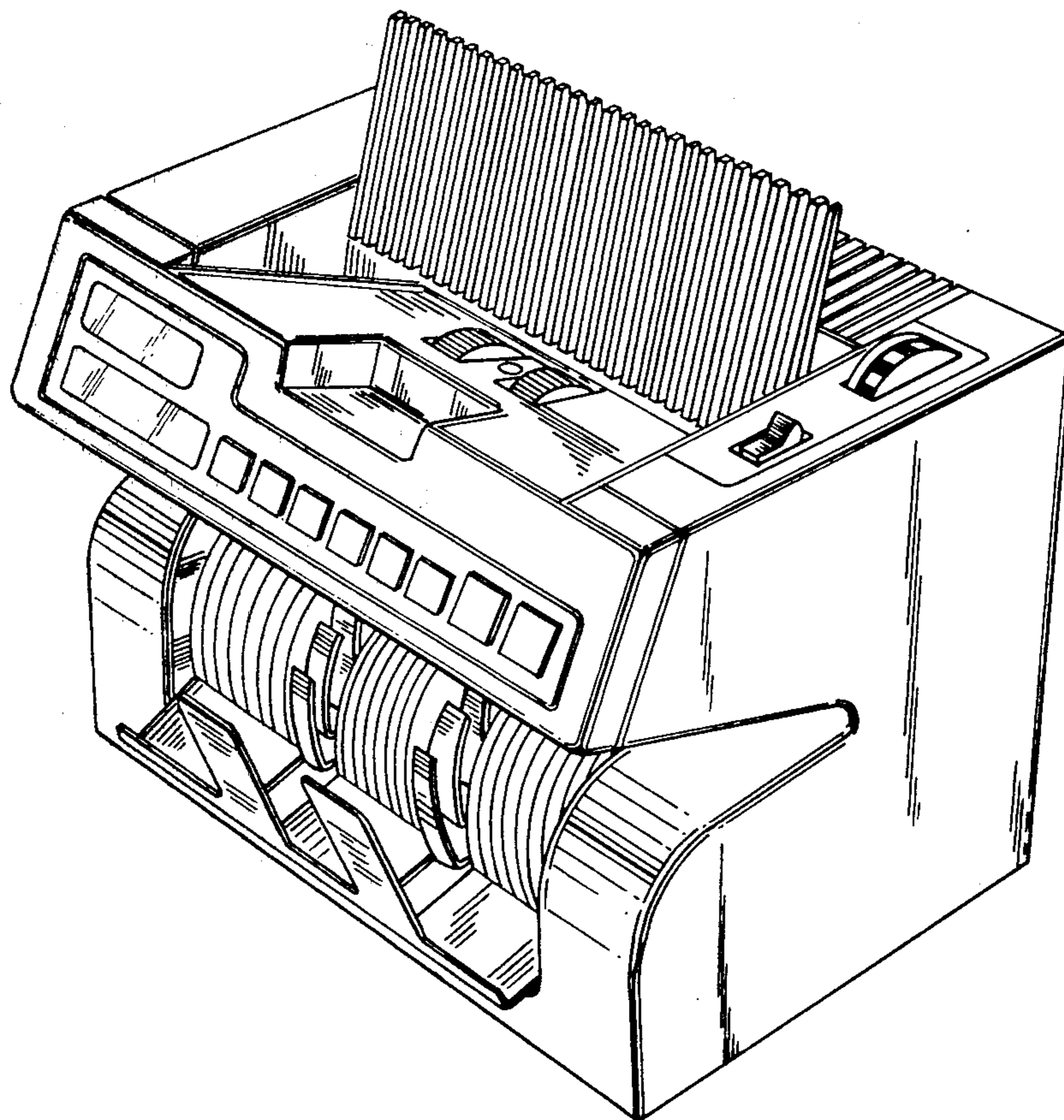
FIG. 3 is an enlarged rear elevational view thereof;

FIG. 4 is an enlarged left-hand side elevational view thereof;

FIG. 5 is an enlarged front elevational view thereof;

FIG. 6 is an enlarged bottom plan view thereof.

The right-hand side of the apparatus is substantially identical to the left-hand side thereof as shown in FIG. 4.



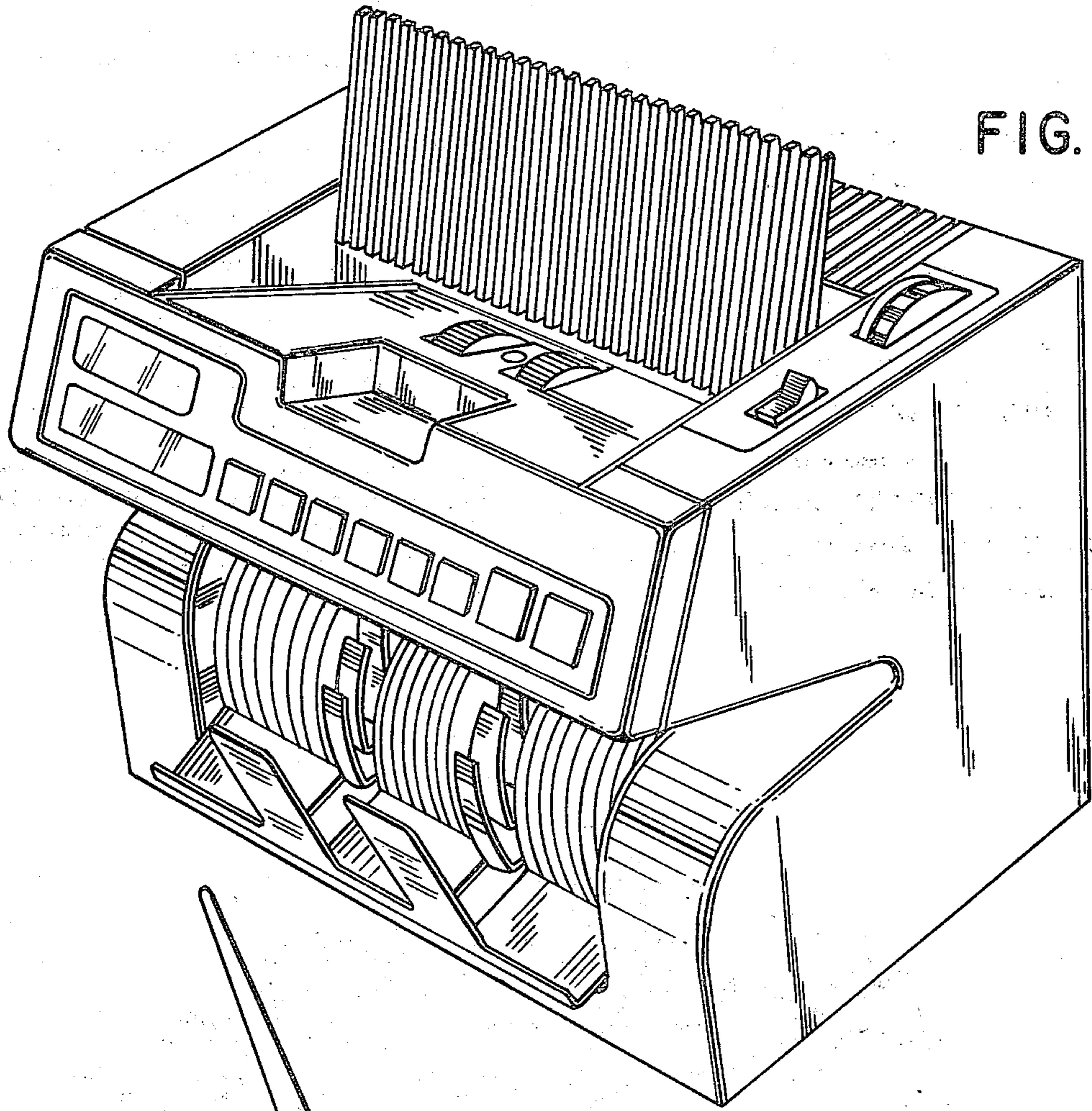


FIG. 1

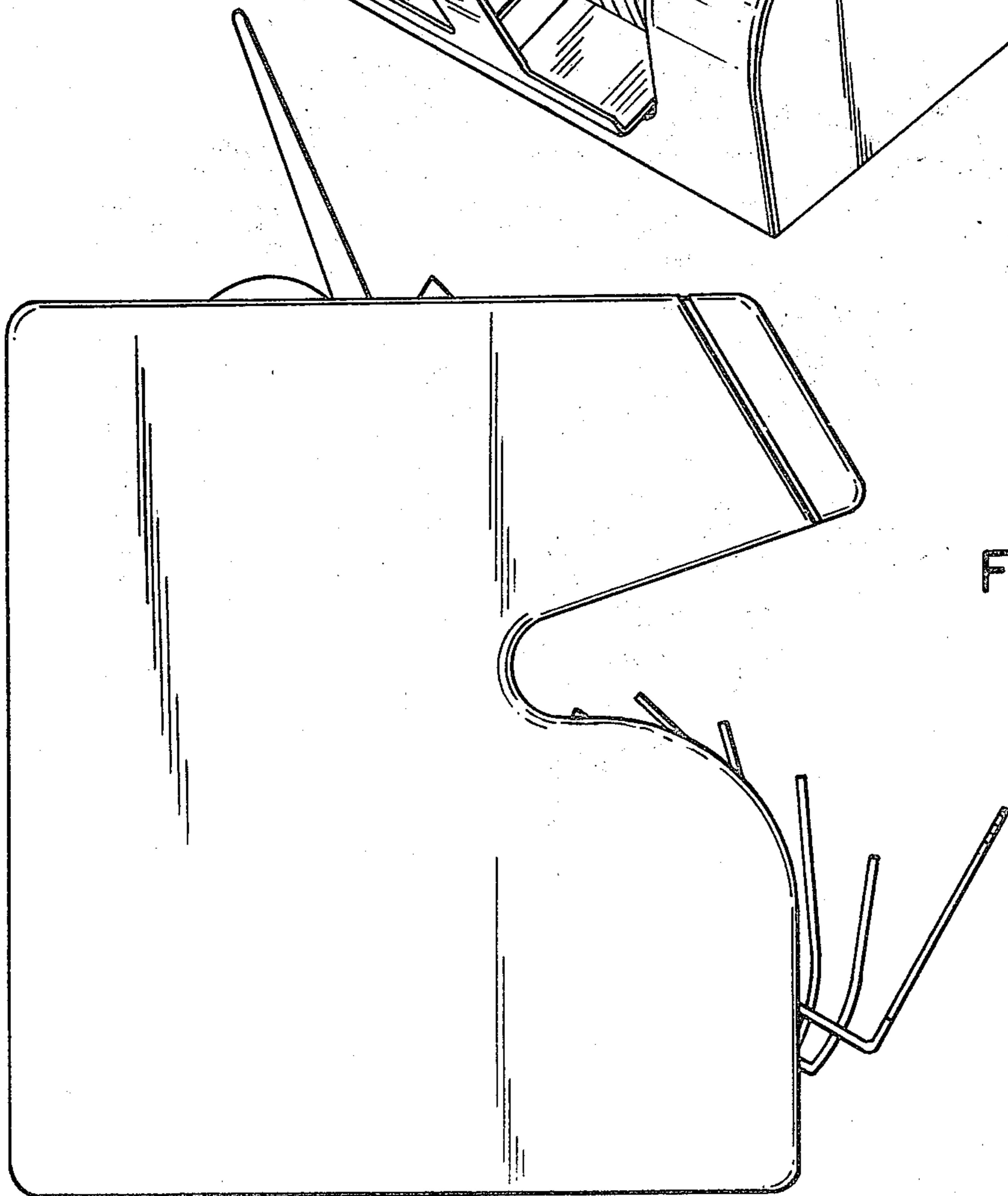


FIG. 4



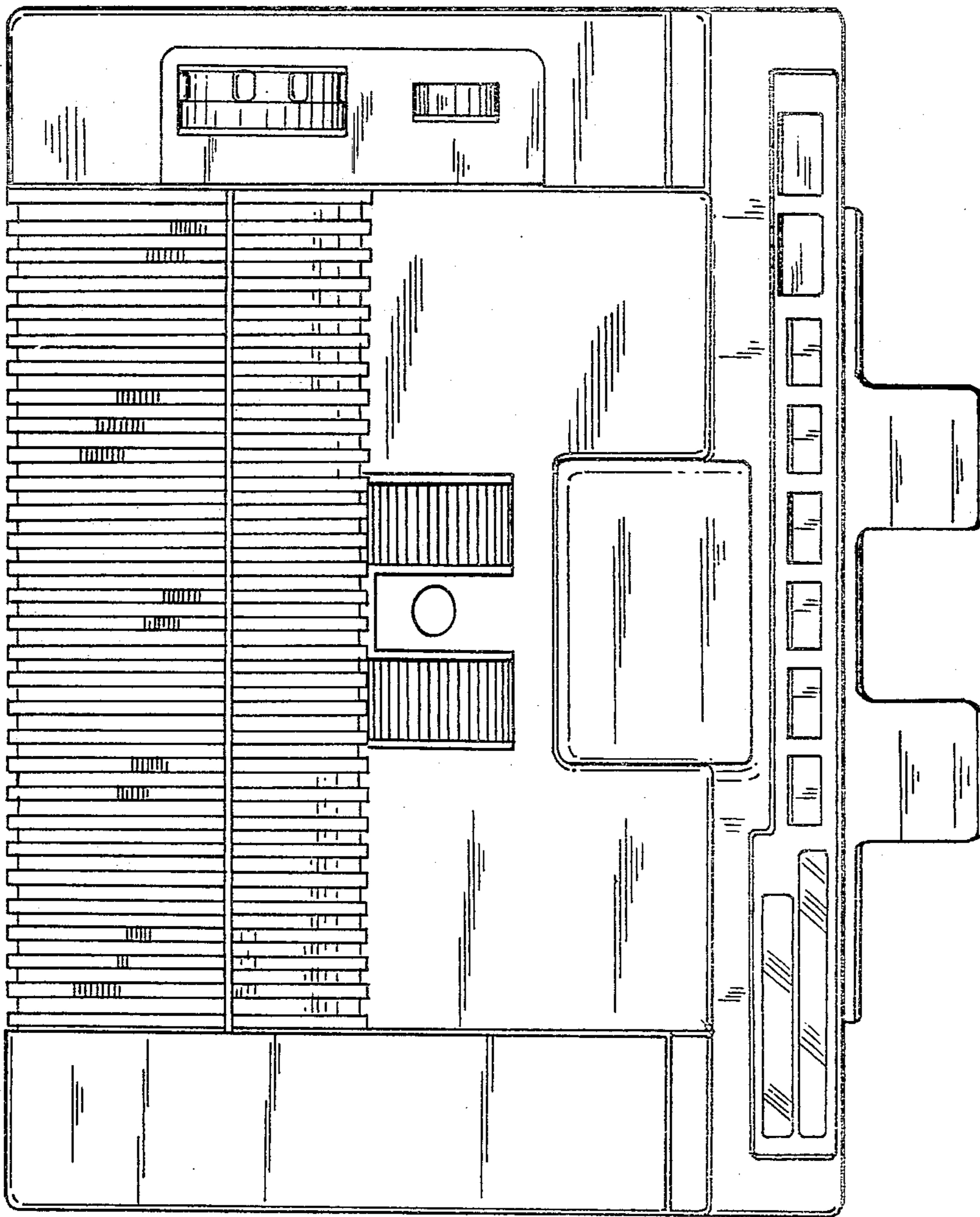


FIG. 2

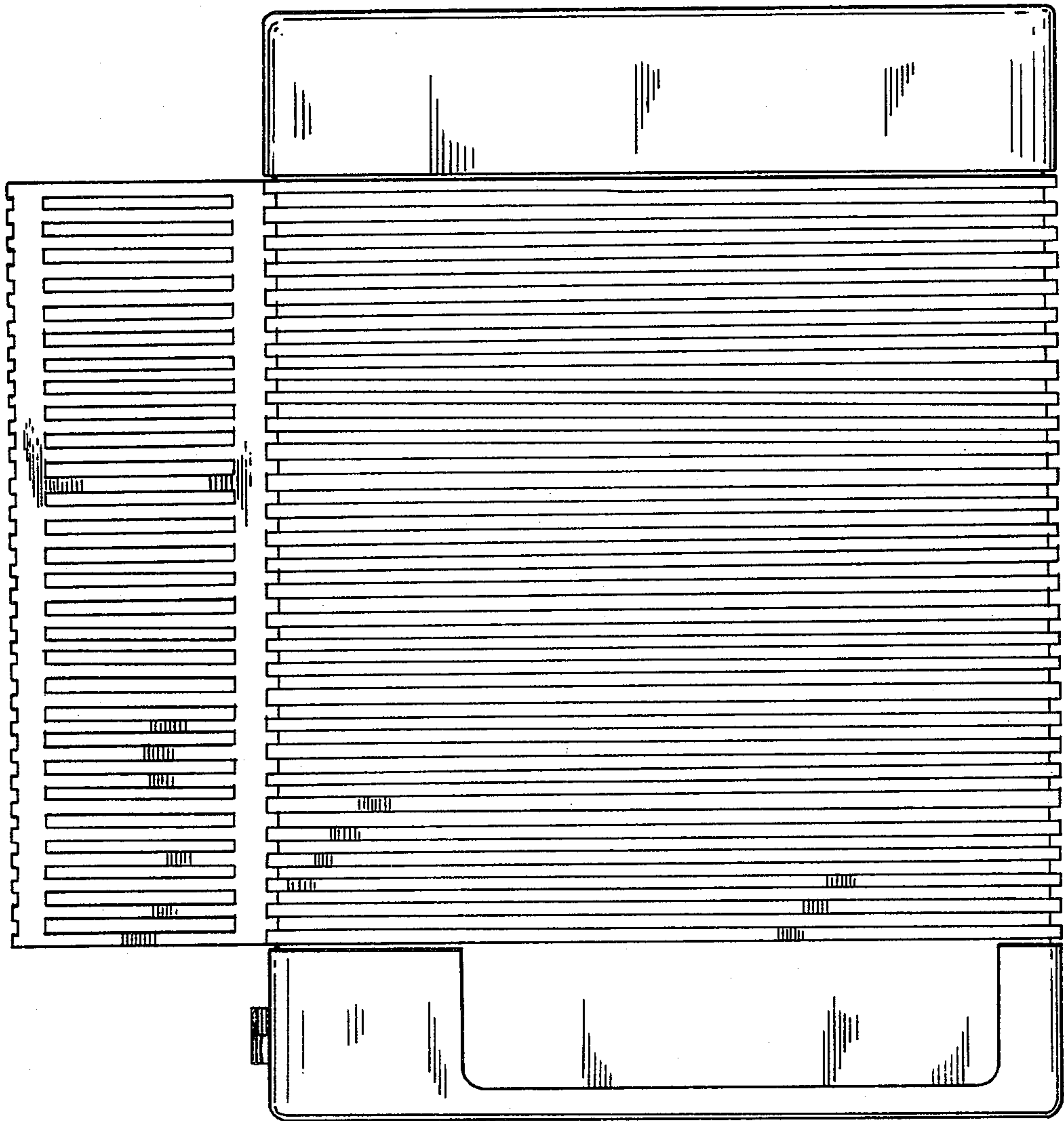


FIG. 3

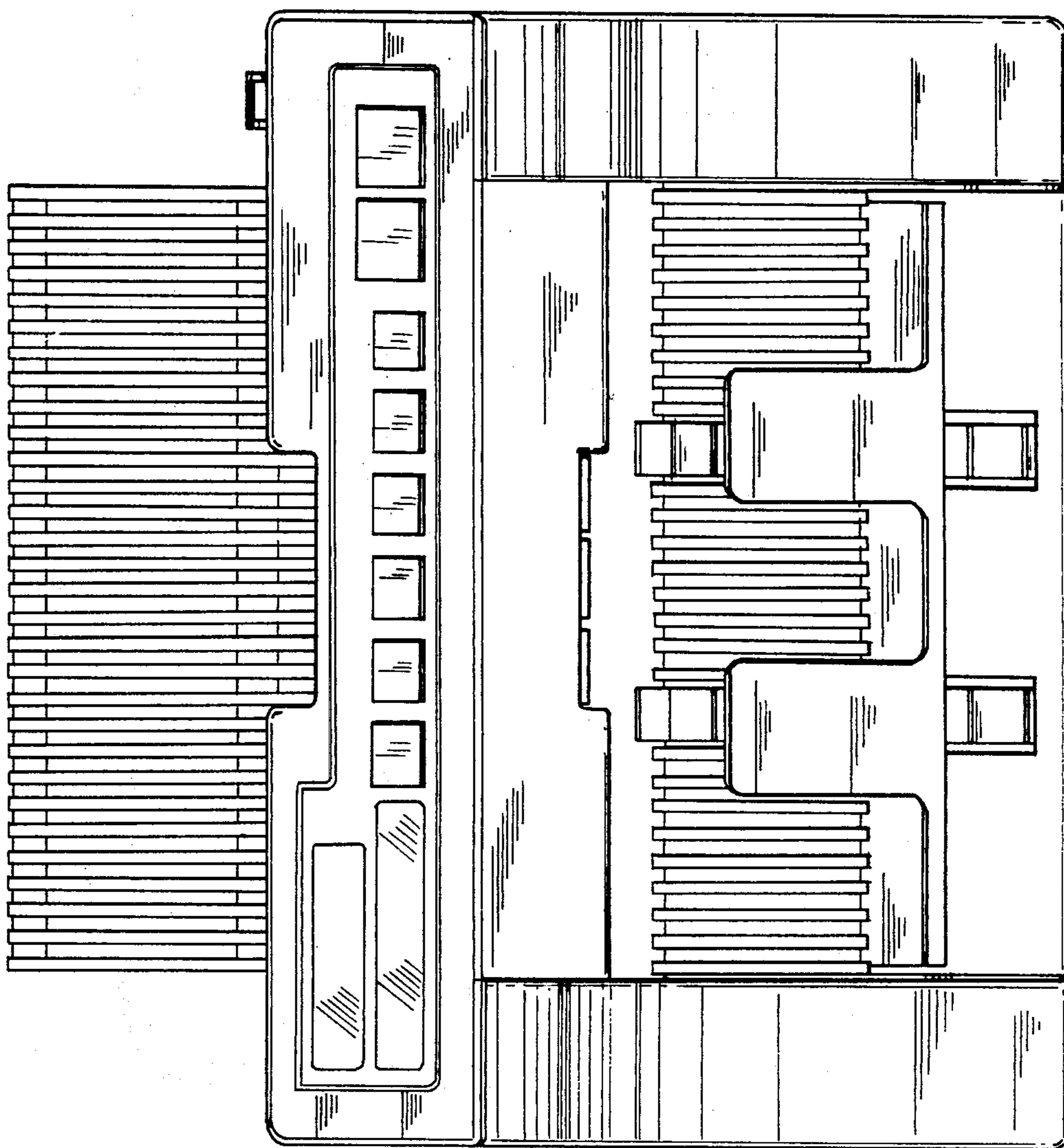


FIG. 5

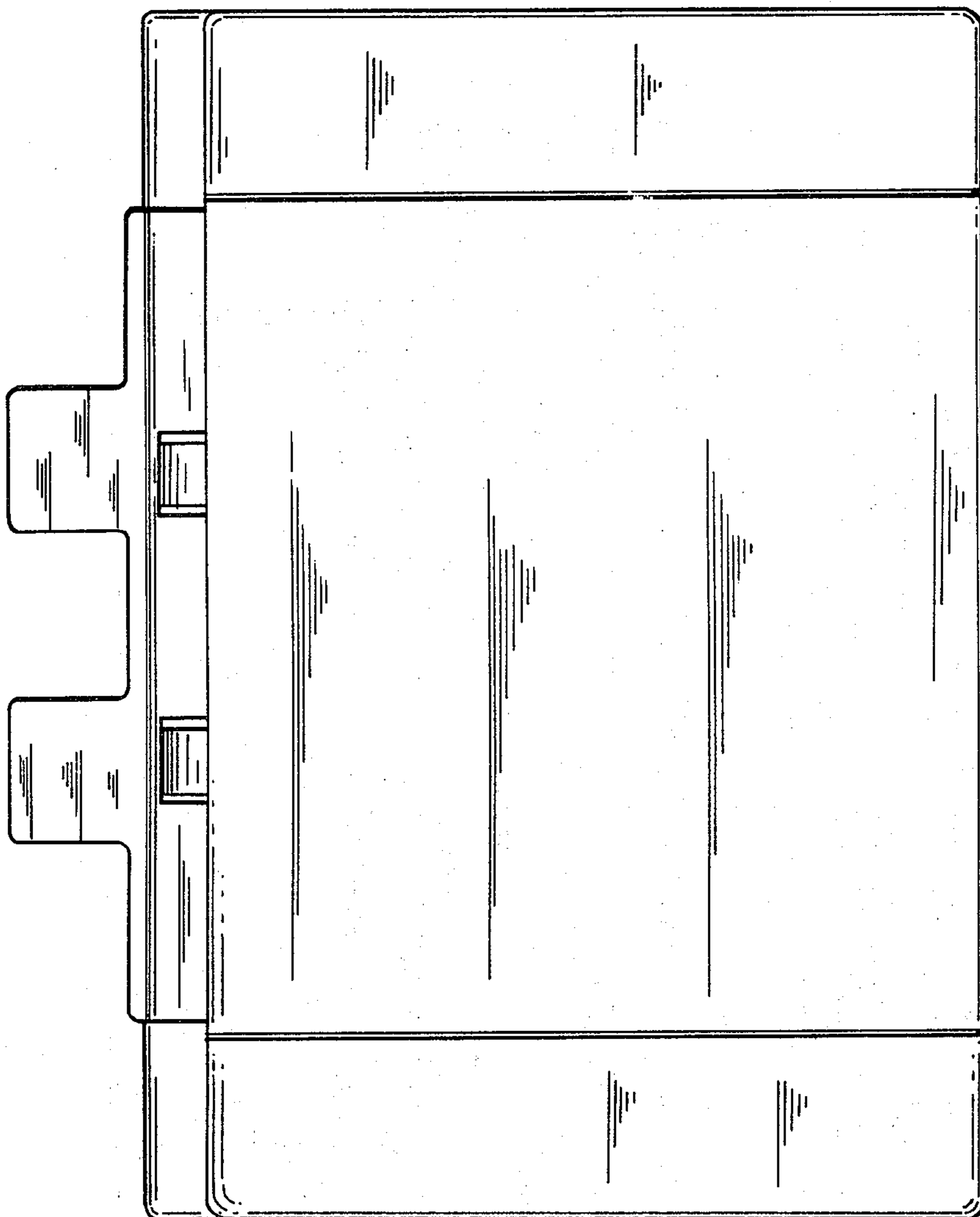


FIG. 6