

# United States Patent [19]

Monahan

[11] Patent Number: **Des. 274,517**

[45] Date of Patent: **\*\* Jul. 3, 1984**

[54] **INTERCOM**

[76] Inventor: **Justin J. Monahan, 614 N. Kings Way Rd., #39, Seffner, Fla. 33584**

[\*\*] Term: **14 Years**

[21] Appl. No.: **257,192**

[22] Filed: **Apr. 24, 1981**

[52] U.S. Cl. .... **D14/92; D14/56; D14/58**

[58] Field of Search ..... **D14/58, 57, 52, 92, D14/53; 179/90 BB, 90 A, 90 K, 100 R, 100 D, 84, 179, 178; 364/706, 708, 900**

[56] **References Cited**

### U.S. PATENT DOCUMENTS

D. 238,186 12/1975 Kramer et al. .... D14/58

D. 243,536 3/1977 Van de Poel ..... D14/58  
D. 264,967 6/1982 Ender et al. .... D14/56  
D. 266,509 10/1982 Marshall ..... D14/92  
3,515,814 6/1970 Morgan ..... 179/84

*Primary Examiner*—Bernard Ansher  
*Attorney, Agent, or Firm*—Frijouf, Rust & Pyle

### [57] CLAIM

The ornamental design for a intercom, as shown and described.

### DESCRIPTION

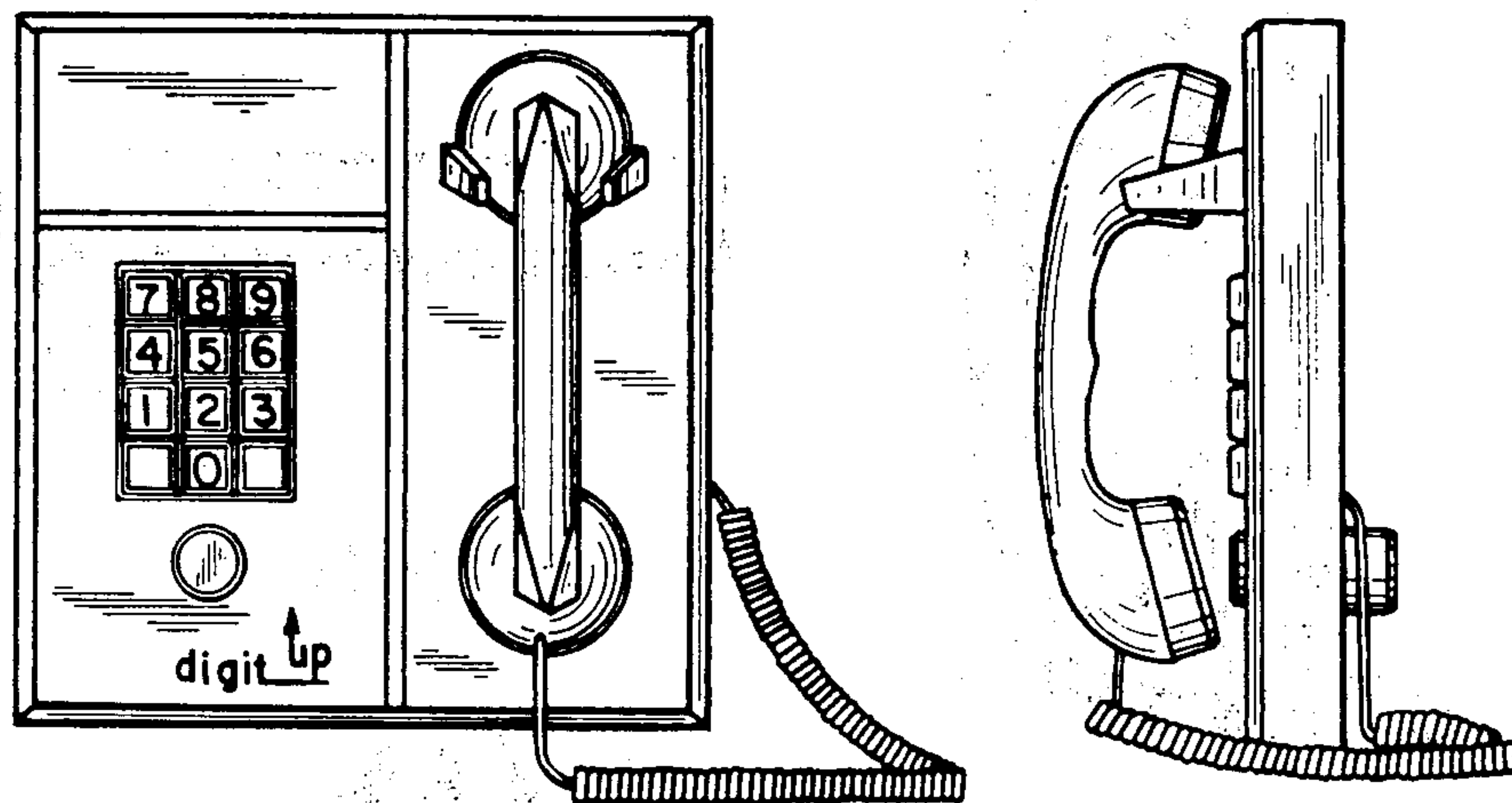
FIG. 1 is a front elevation of an intercom showing my new design;

FIG. 2 is a right side elevation thereof;

FIG. 3 is a left side elevation thereof;

FIG. 4 is a top plan view thereof; and

FIG. 5 is a bottom plan view thereof.



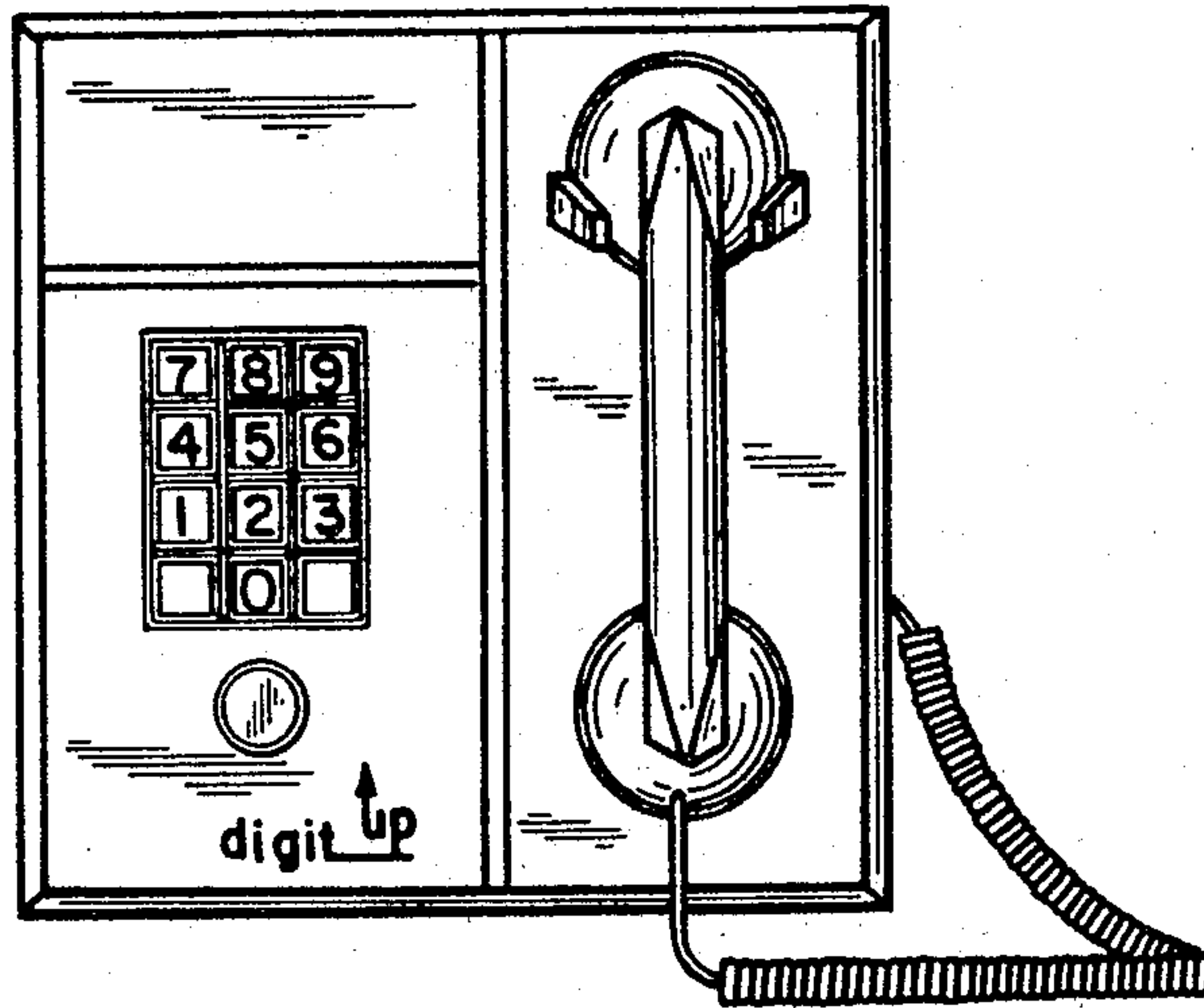


FIG. 1

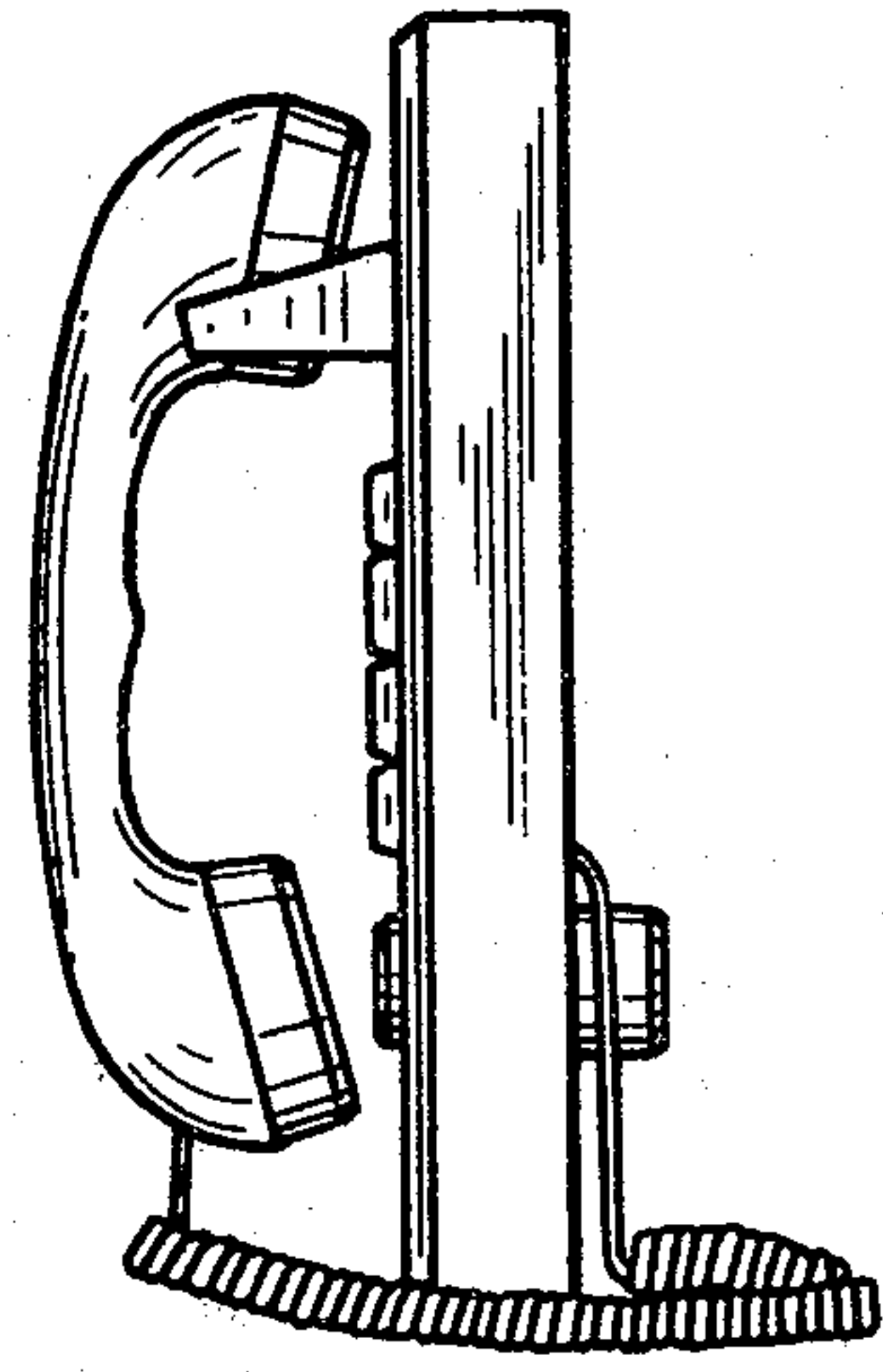


FIG. 2

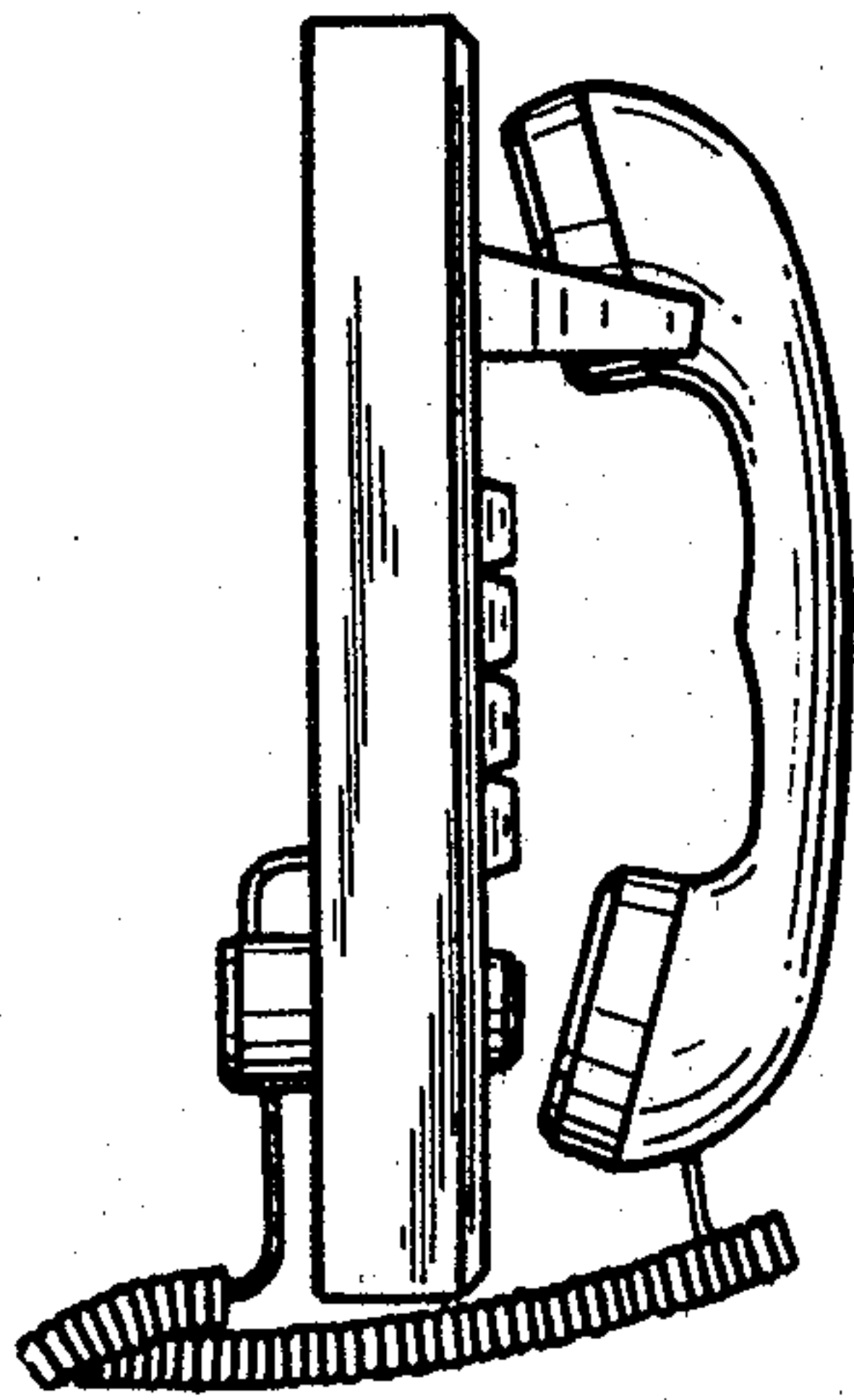


FIG. 3

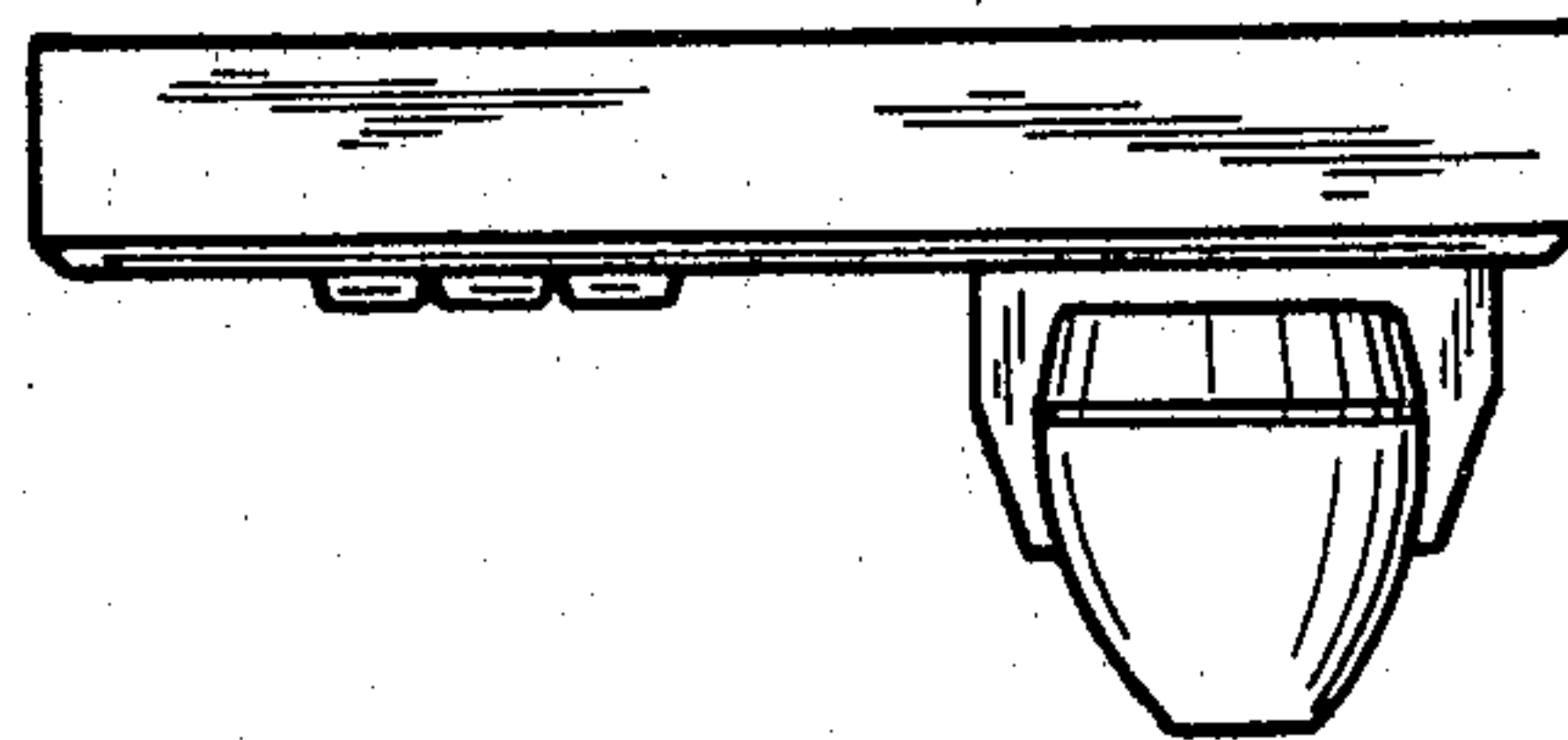


FIG. 4

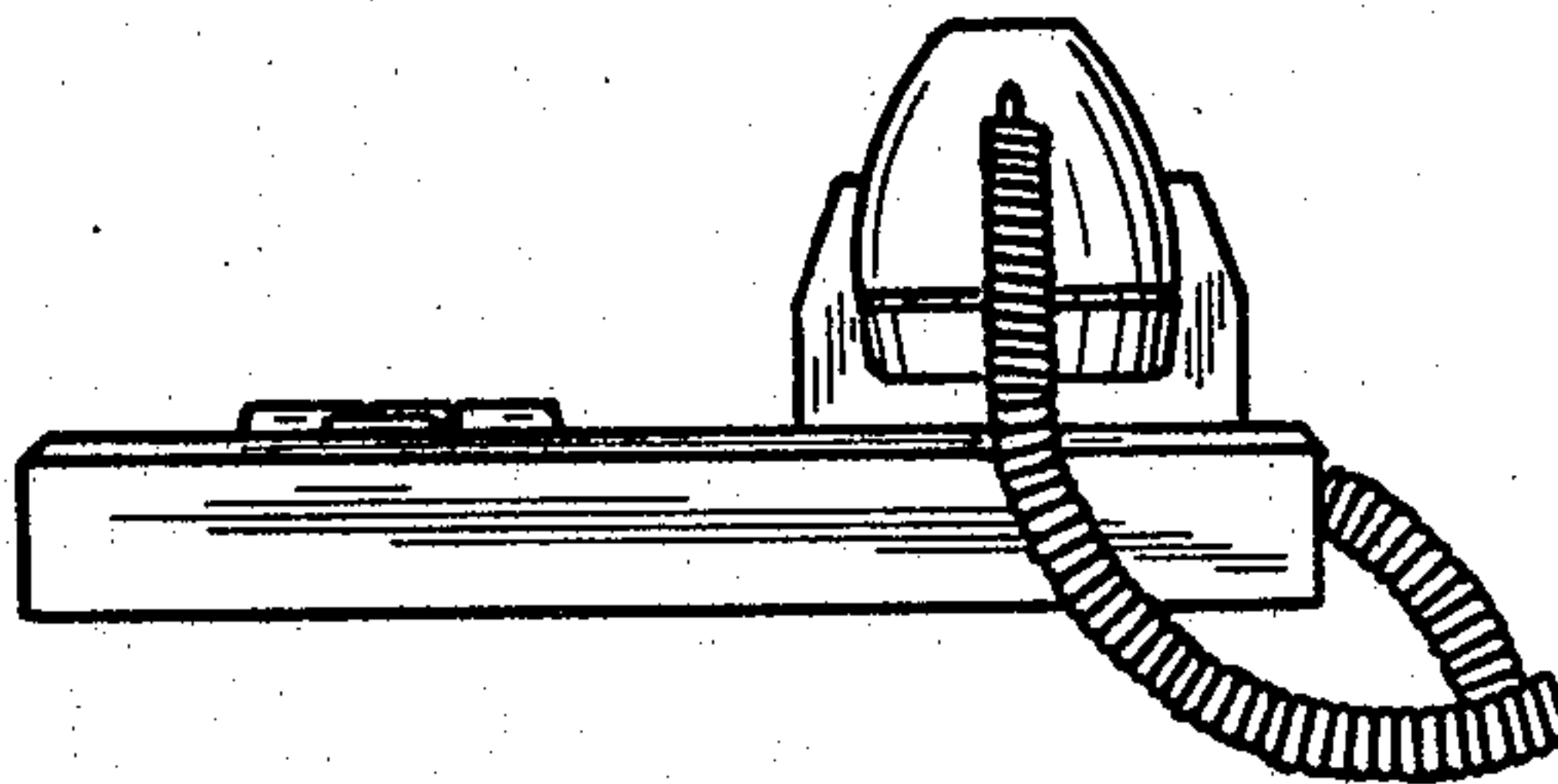


FIG. 5