

# United States Patent [19]

Walker, Jr.

[11] Patent Number: **Des. 274,516**

[45] Date of Patent: **\*\* Jul. 3, 1984**

- [54] **TELEPHONE HANDSET TRANSMITTER CUP**
- [75] Inventor: **Wesley F. Walker, Jr., Ringgold, Ga.**
- [73] Assignee: **Walker Equipment Corporation, Ringgold, Ga.**
- [\*\*] Term: **14 Years**
- [21] Appl. No.: **346,823**
- [22] Filed: **Feb. 8, 1982**
- [52] U.S. Cl. .... **D14/67; D14/59**
- [58] Field of Search ..... **D14/66; 381/91; 179/121 D, 180, 187, 111 E, 122**

- 3,660,602 5/1972 Thompson ..... 179/180 X  
3,830,988 8/1974 Mol et al. .... 179/187  
4,009,355 2/1977 Poradowski ..... 179/121 D  
4,385,209 5/1983 Greason et al. .... 179/111 E

*Primary Examiner*—Bernard Ansher  
*Attorney, Agent, or Firm*—Seidel, Gonda & Goldhammer

## [57] CLAIM

The ornamental design for a telephone handset transmitter cup, substantially as shown and described.

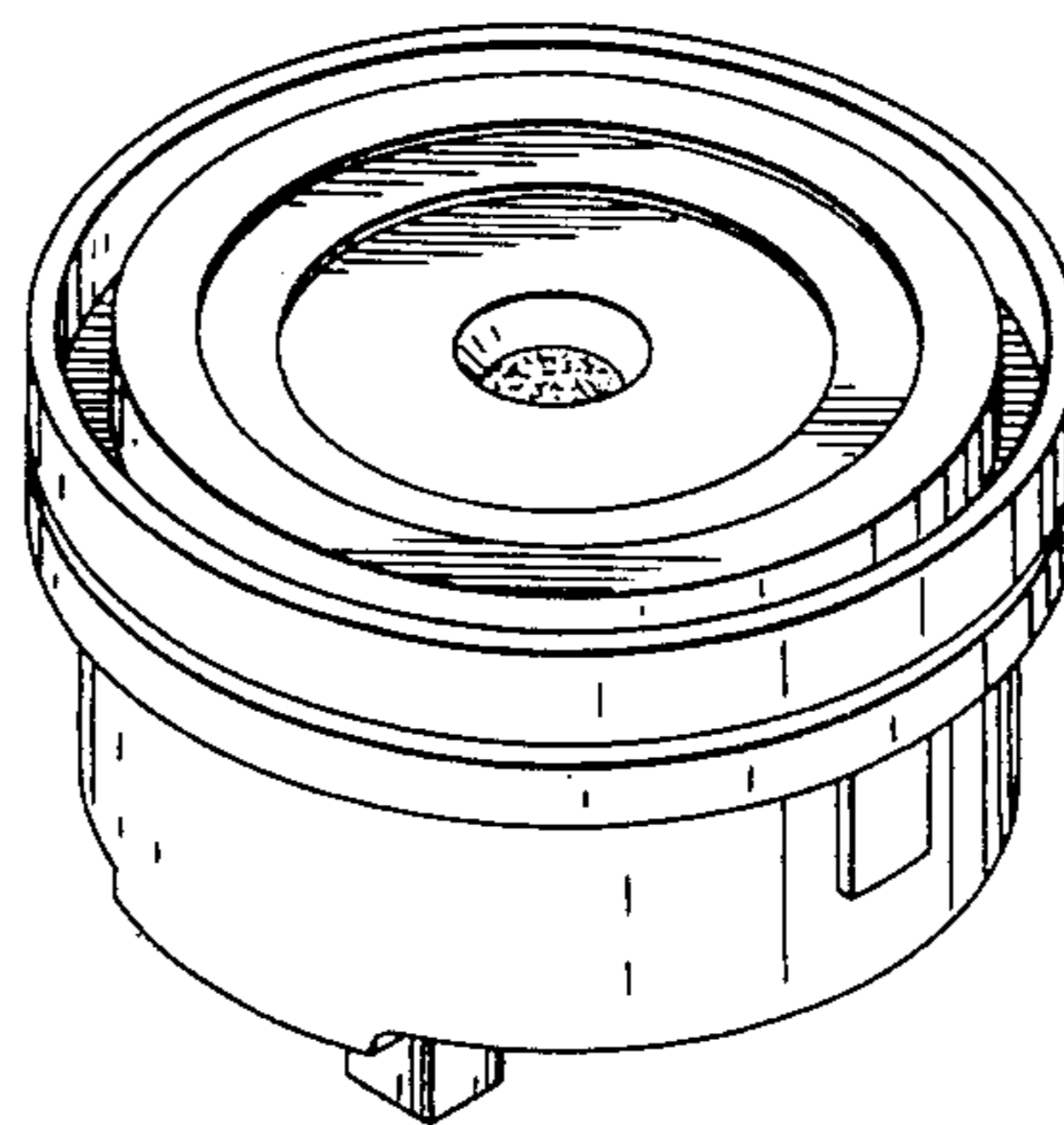
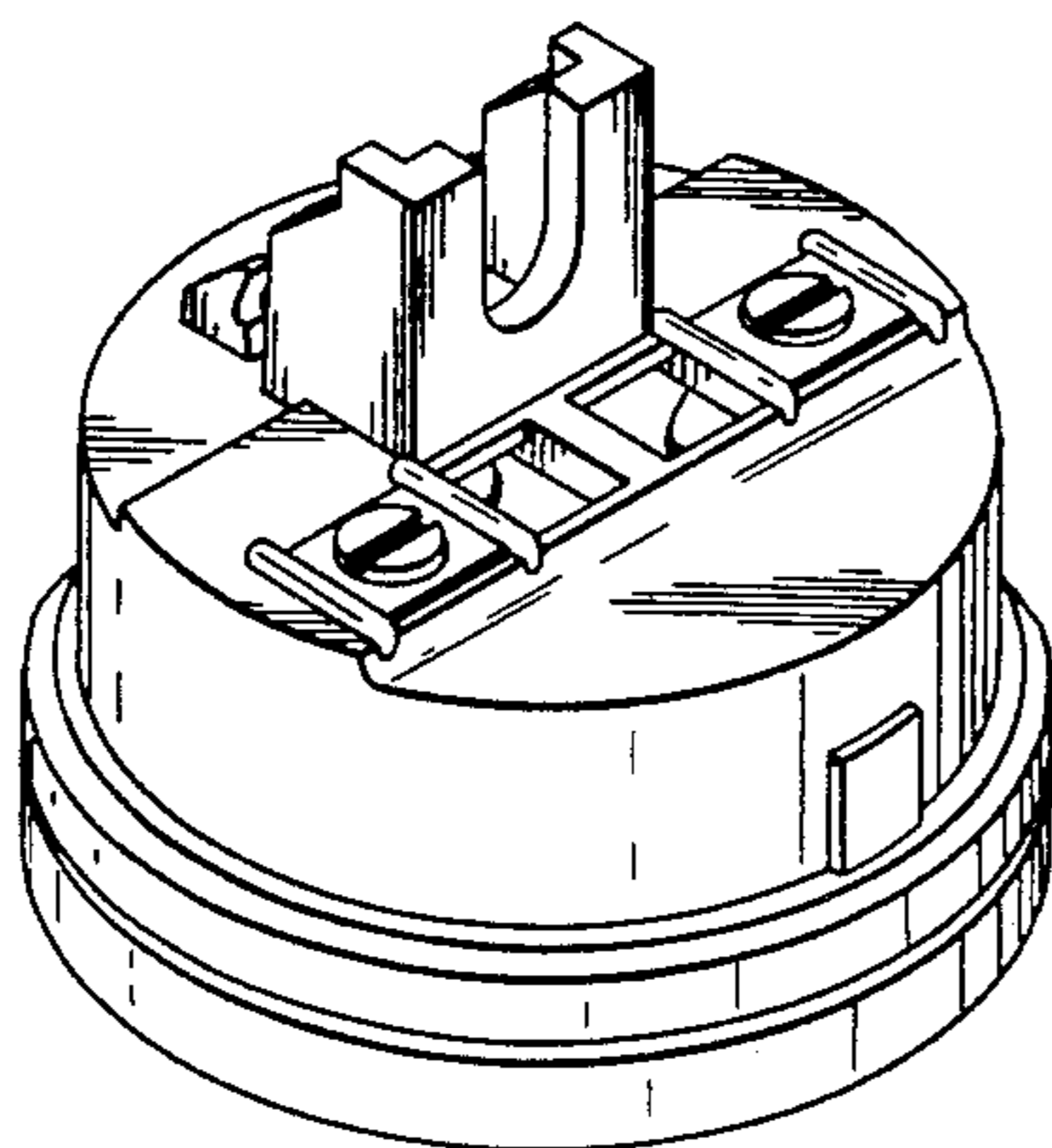
## DESCRIPTION

FIG. 1 is a perspective view of the bottom of a telephone handset transmitter cup in accordance with my new design;  
FIG. 2 is a perspective view of the top thereof;  
FIG. 3 is a right side elevation view thereof, the left side elevation being identical;  
FIG. 4 is a rear elevational view thereof;  
FIG. 5 is a front elevational view thereof;  
FIG. 6 is a bottom plan view thereof; and  
FIG. 7 is a top plan view thereof.

## [56] References Cited

### U.S. PATENT DOCUMENTS

- D. 68,060 8/1925 Pacent ..... D14/67  
D. 185,520 6/1959 Van Den Berg ..... D14/67  
D. 214,628 7/1969 Kahn ..... D14/67  
D. 248,650 7/1978 Bellenger et al. .... D14/67 X  
2,118,993 5/1938 Volf ..... 179/122  
2,431,022 11/1947 Brodie ..... 179/122



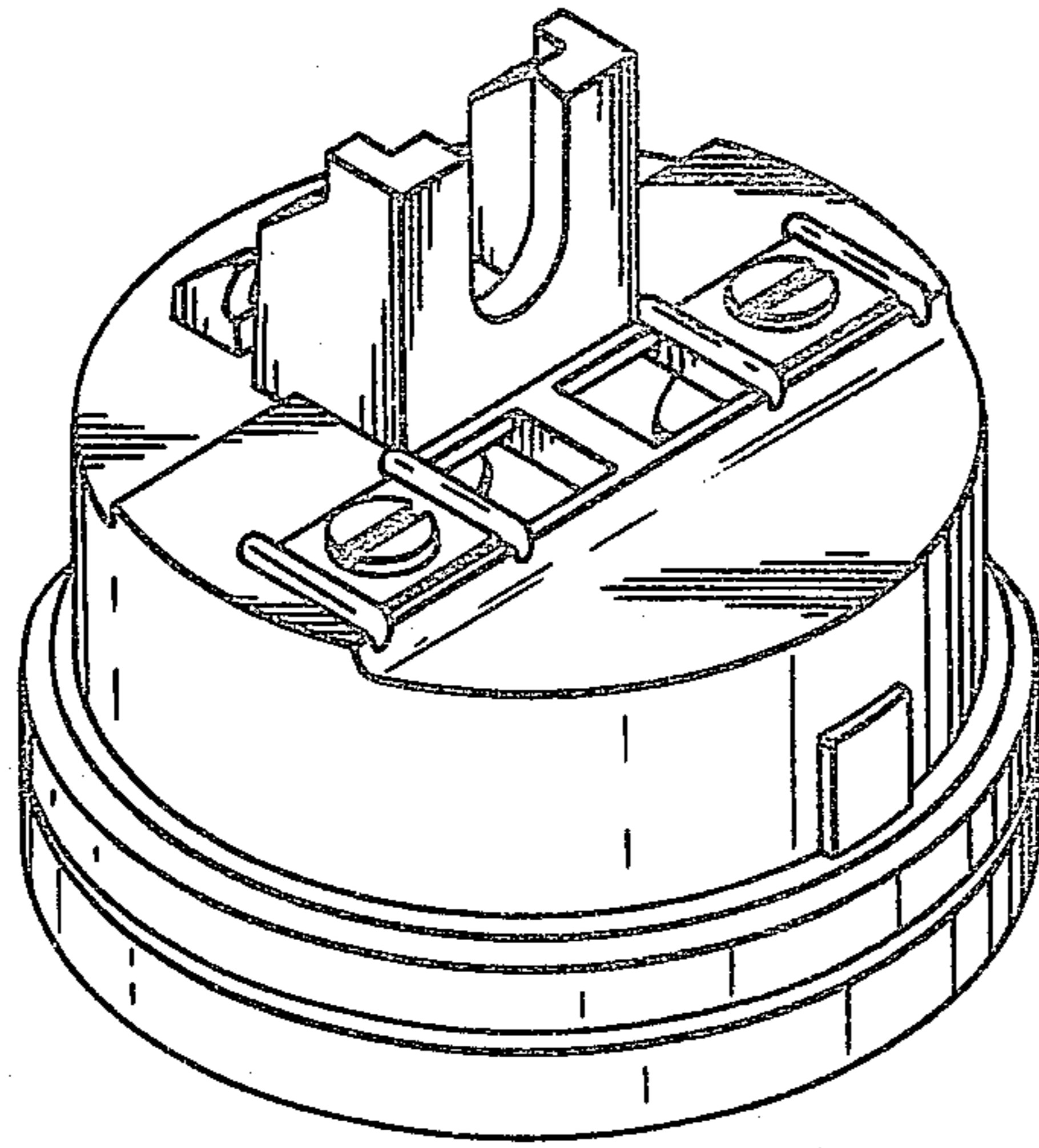


FIG. 1

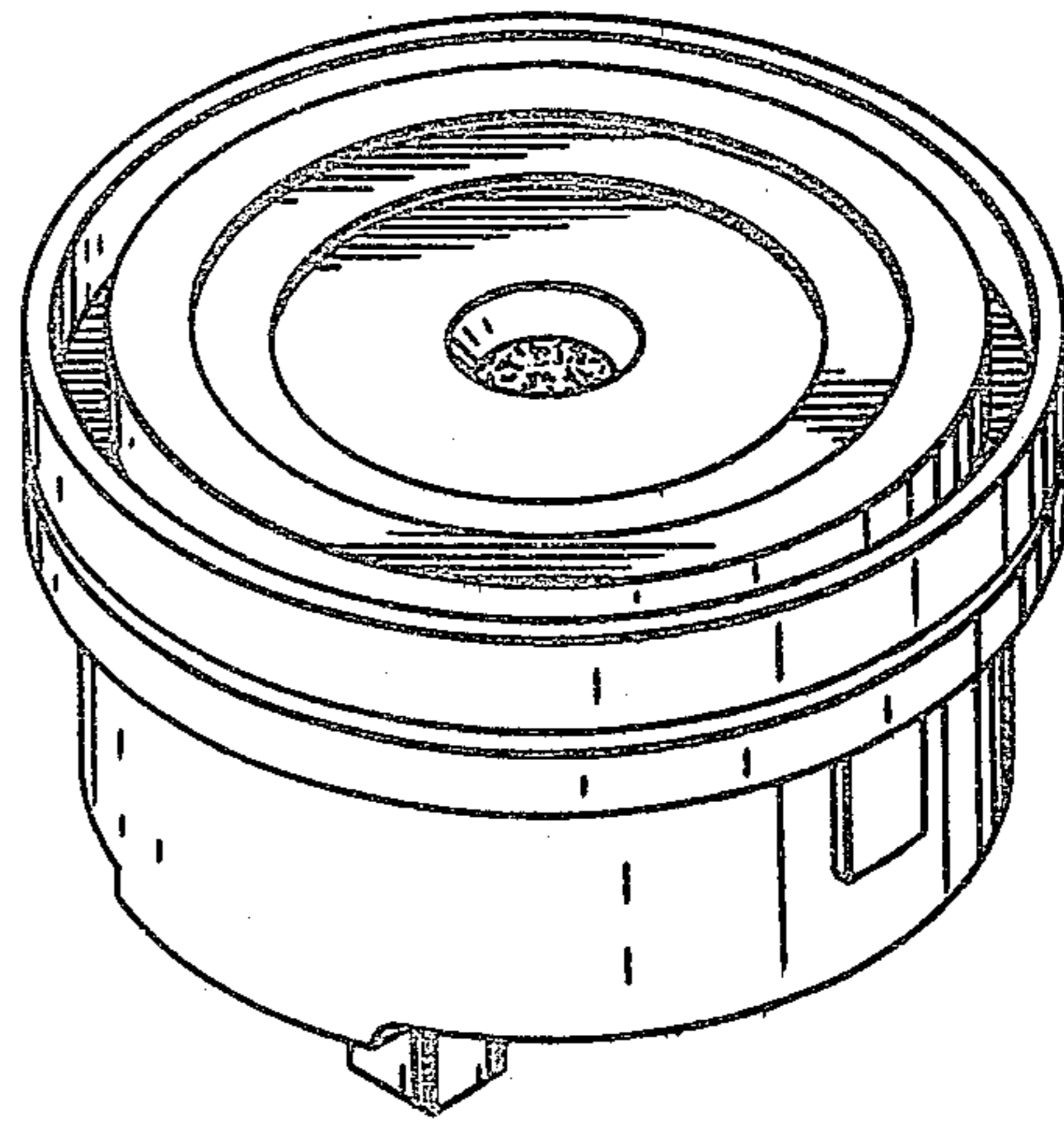


FIG. 2

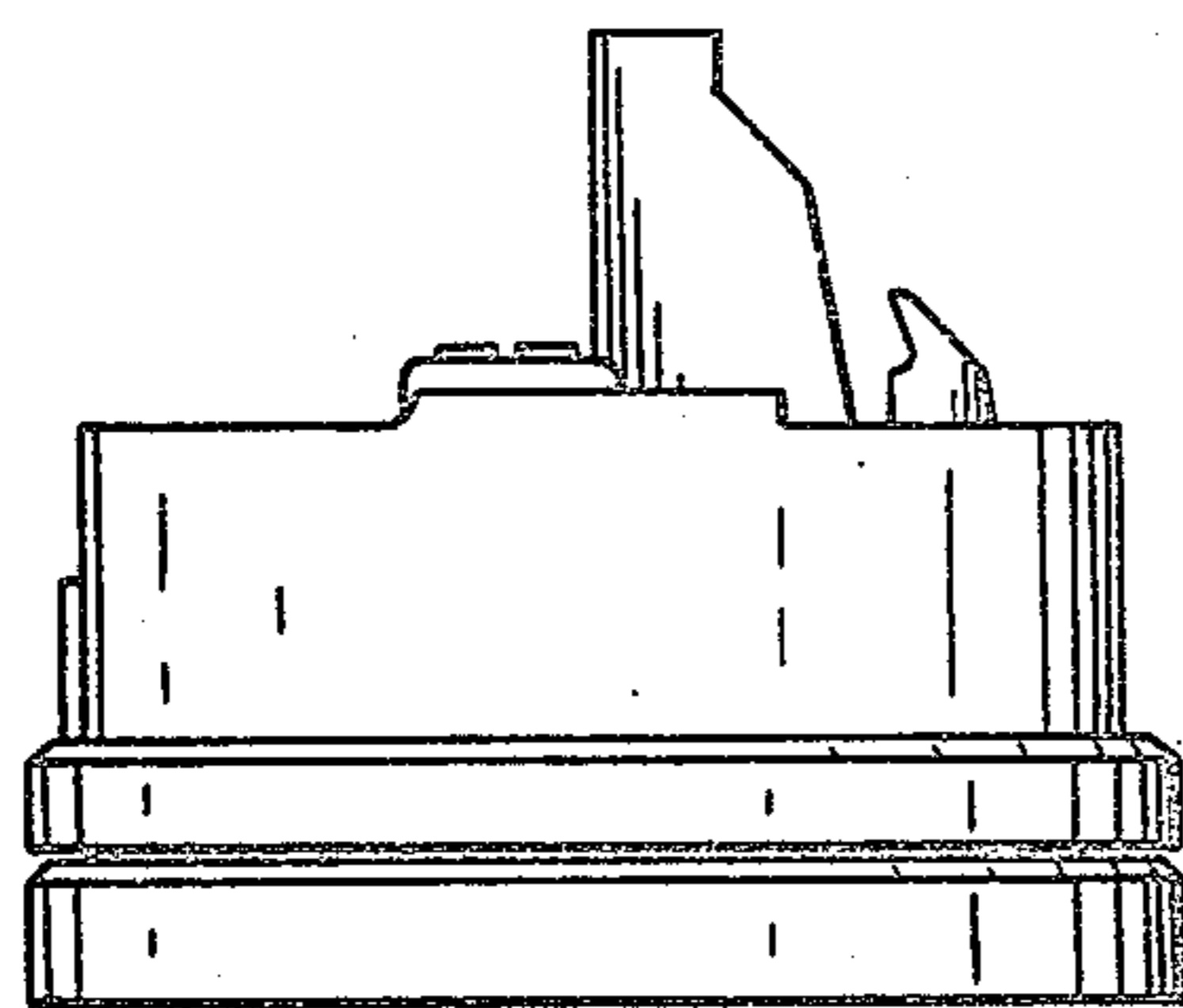
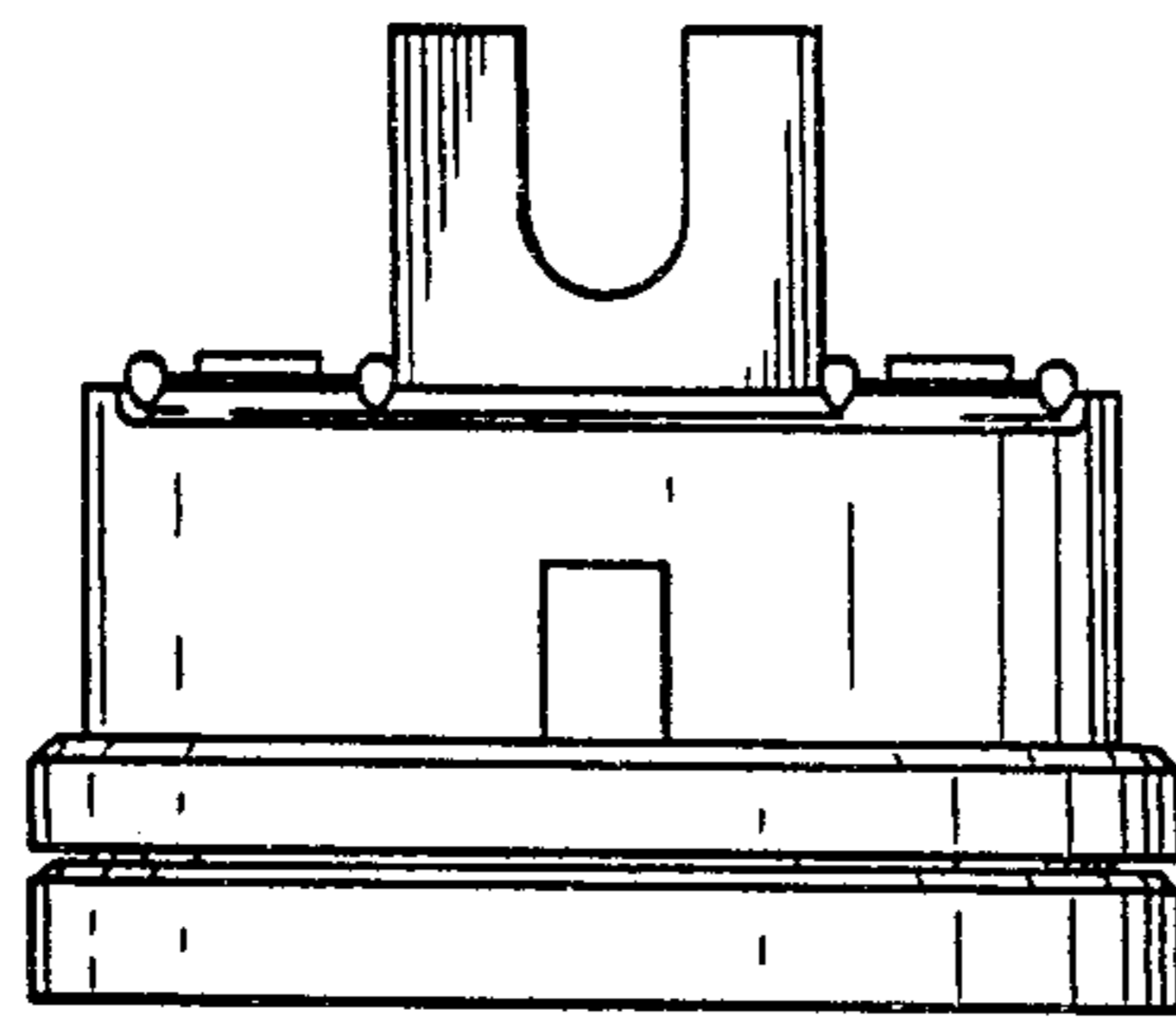
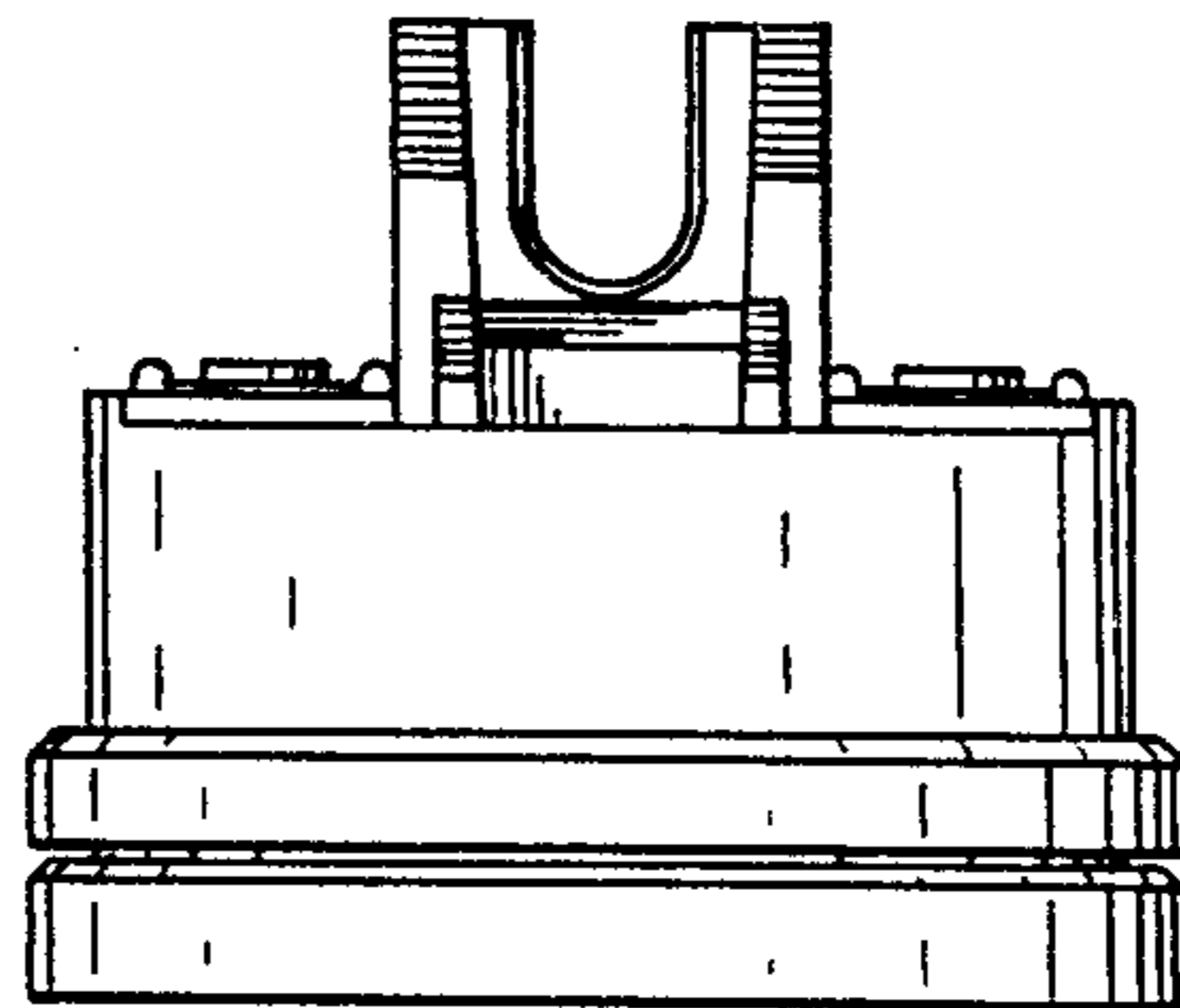


FIG. 3

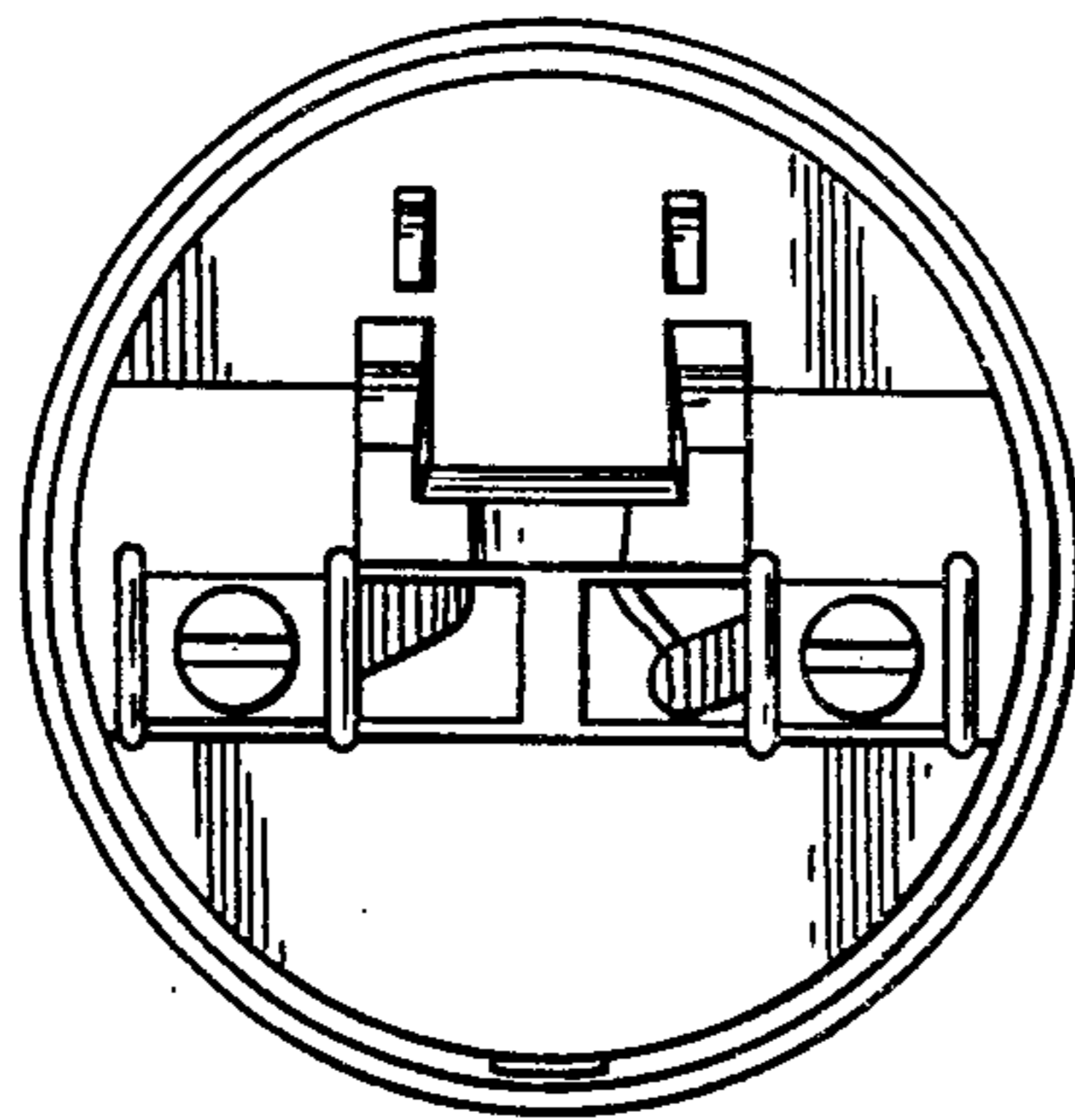


**FIG. 4**



**FIG. 5**

**FIG. 6**



**FIG. 7**

