

United States Patent [19]

McComas et al.

[11] Patent Number: Des. 274,510

[45] Date of Patent: ** Jul. 3, 1984

[54] AIRCRAFT

[75] Inventors: **Jean McComas**, West Babylon;
Gordon Rosenthal, Jericho, both of
N.Y.

[73] Assignee: **Fairchild Industries, Inc.**,
Germantown, Md.

[**] Term: 14 Years

[21] Appl. No.: 349,793

[22] Filed: Feb. 18, 1982

[52] U.S. Cl. D12/338; D12/342

[58] Field of Search D12/338, 342

[56] References Cited

U.S. PATENT DOCUMENTS

- D. 191,149 8/1961 Eaton et al. D12/342 X
D. 230,961 3/1974 Ryan et al. D12/338

OTHER PUBLICATIONS

Interavia, 11/1980, p. 1049, aircraft at top left of page.

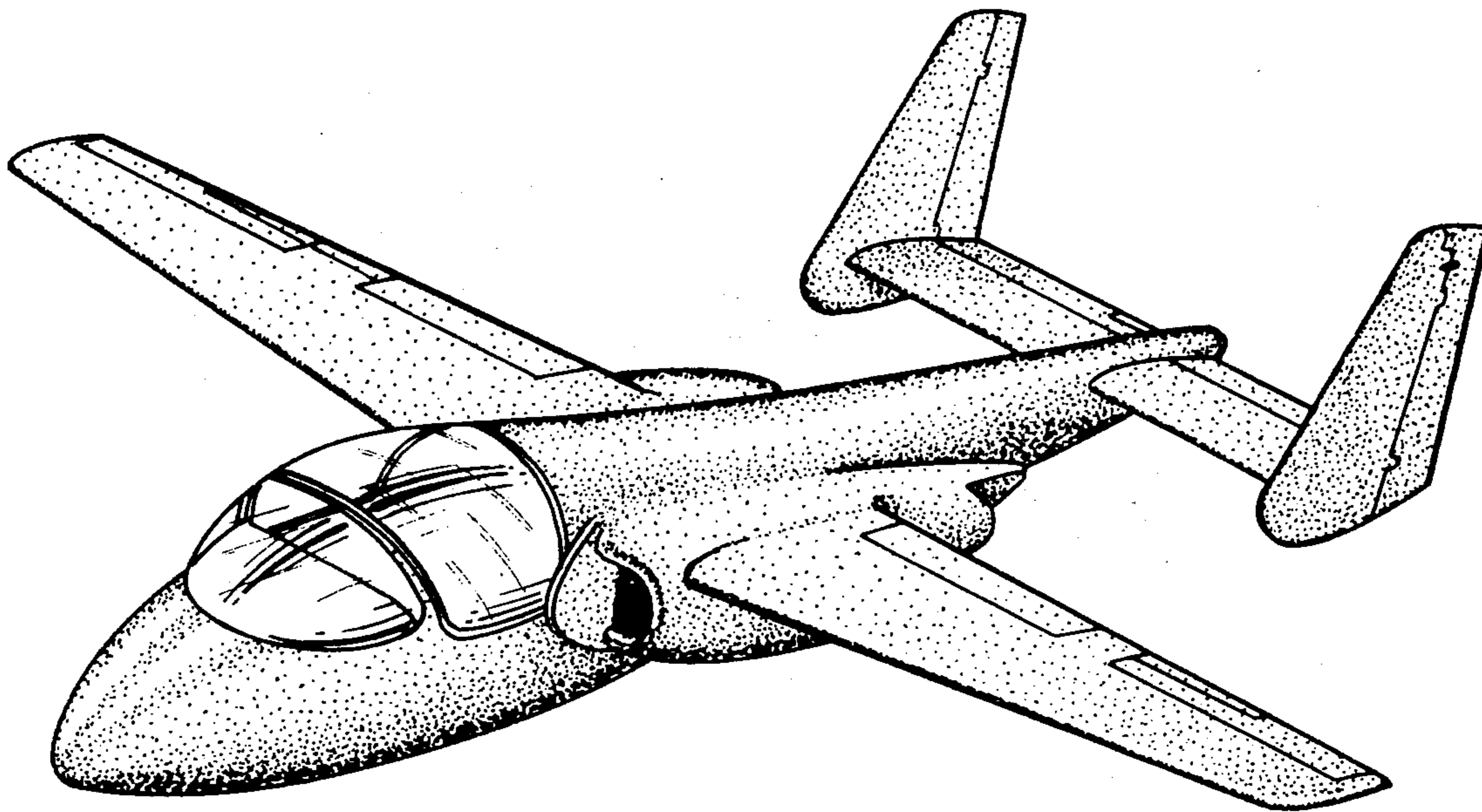
Primary Examiner—Alan P. Douglas
Attorney, Agent, or Firm—Michael W. York

[57] CLAIM

The ornamental design for an aircraft, substantially as shown and described.

DESCRIPTION

FIG. 1 is a perspective view of an aircraft showing our new design;
FIG. 2 is a top plan view of said aircraft;
FIG. 3 is an elevational view of one side of said aircraft, the elevational view of the other side being substantially a mirror image thereof;
FIG. 4 is a bottom plan view of said aircraft; and
FIG. 5 is an elevational view of the front of said aircraft;
FIG. 6 is an elevational view of the rear of said aircraft.



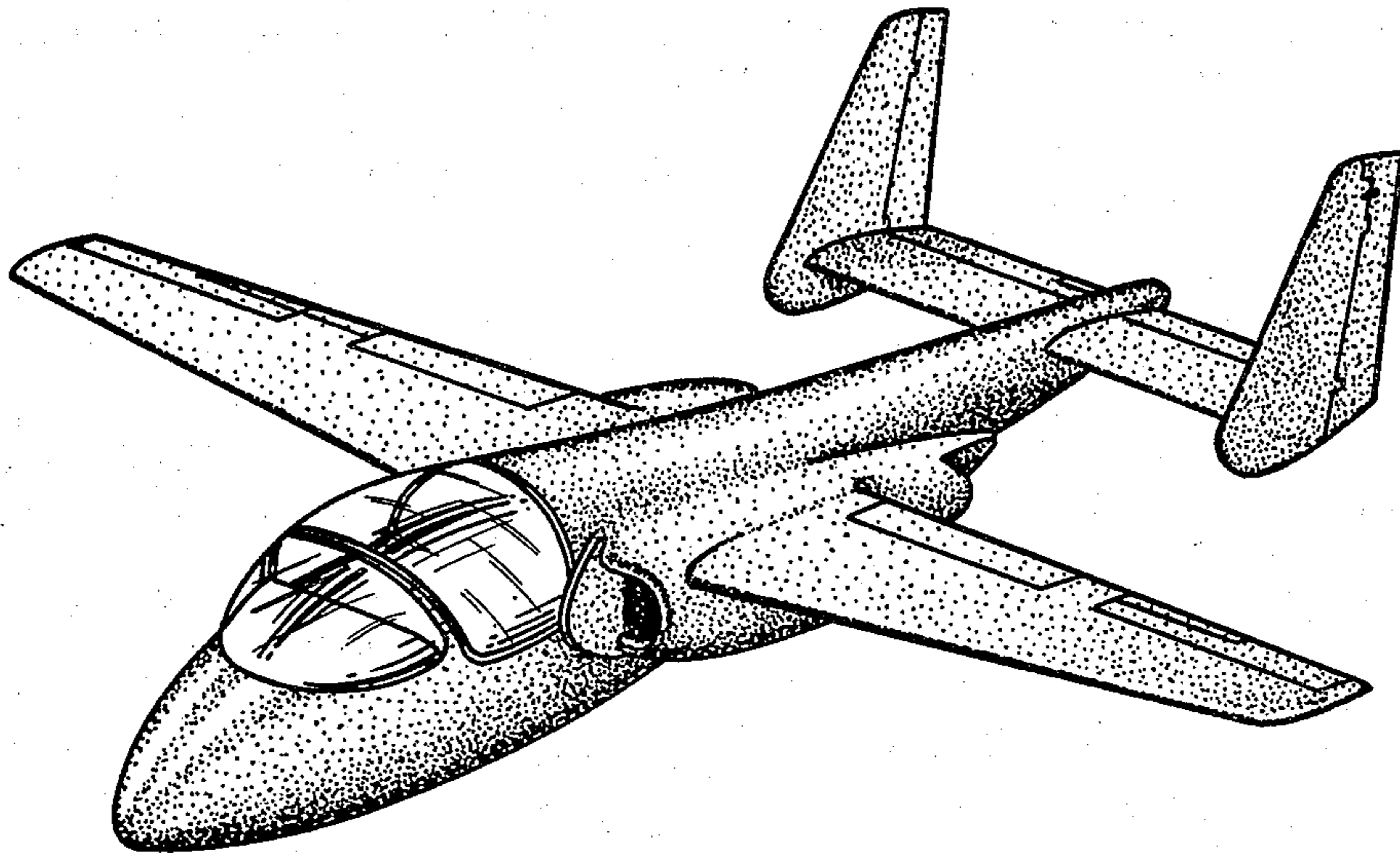


Fig. 1

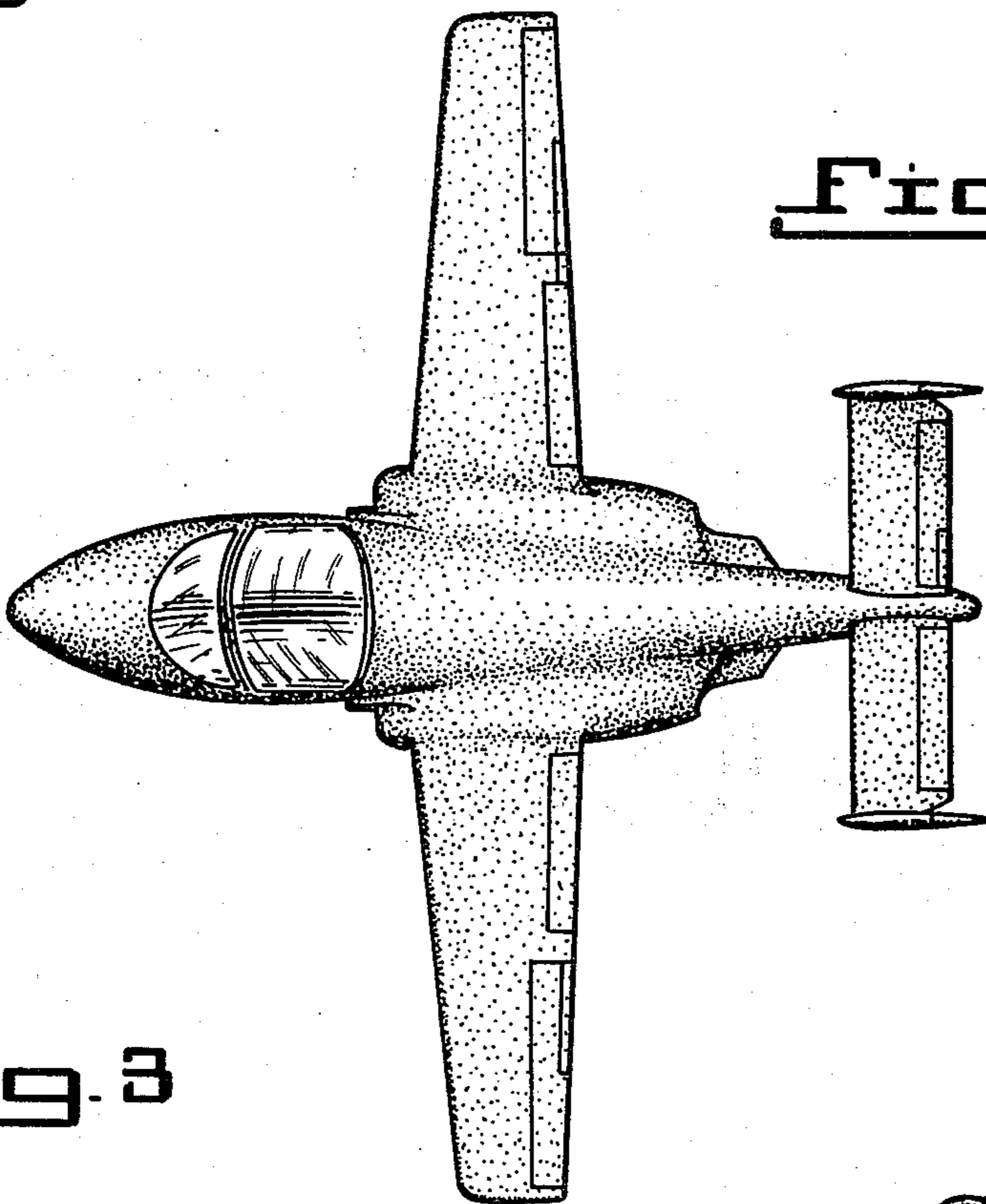


Fig. 2

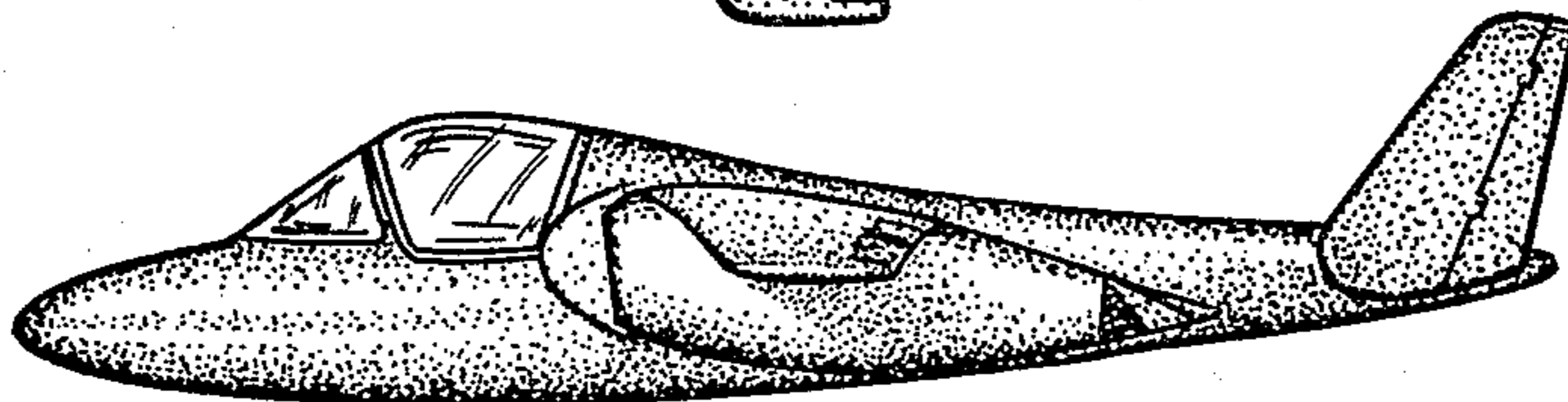


Fig. 3

Fig. 4

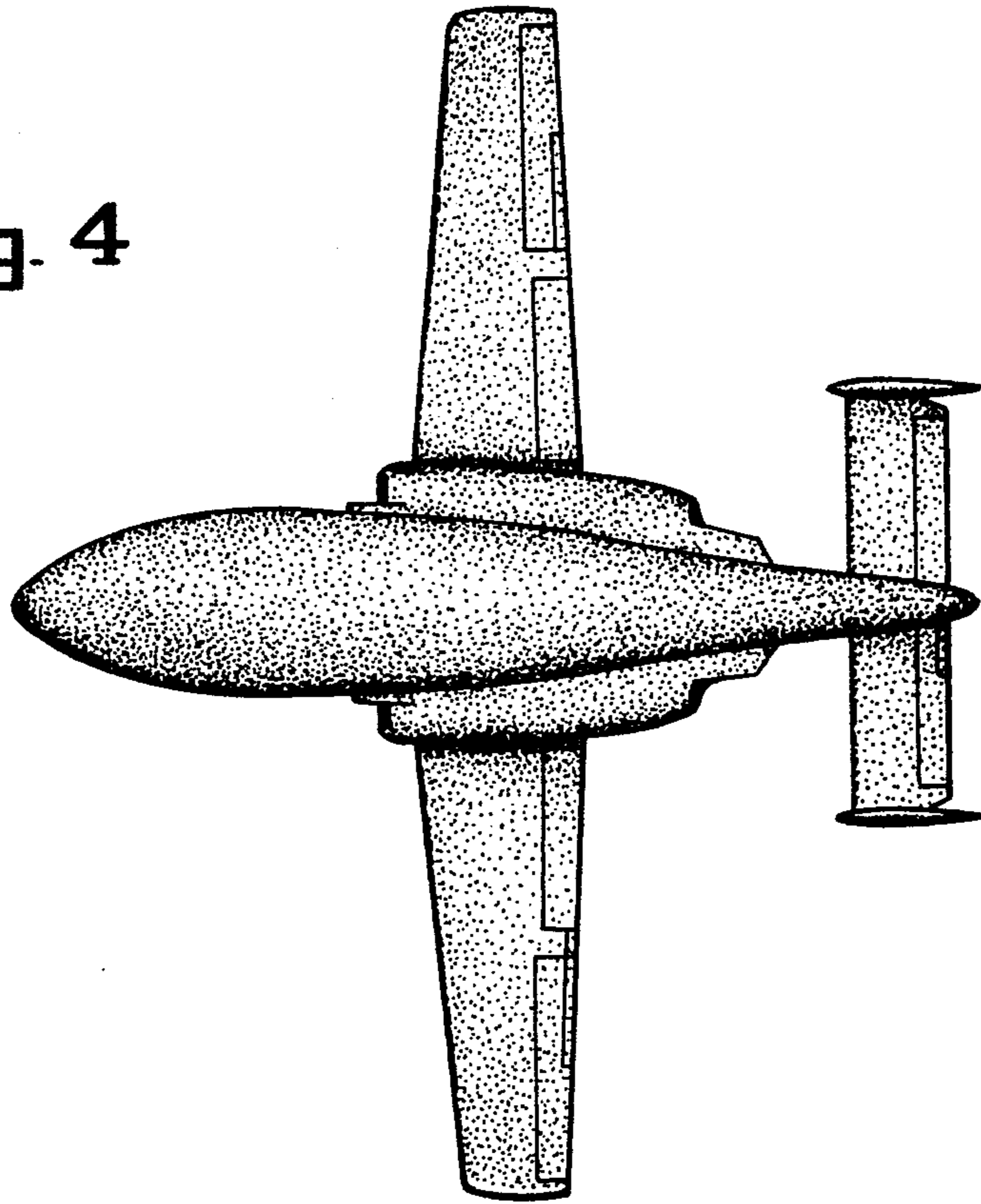


Fig. 5

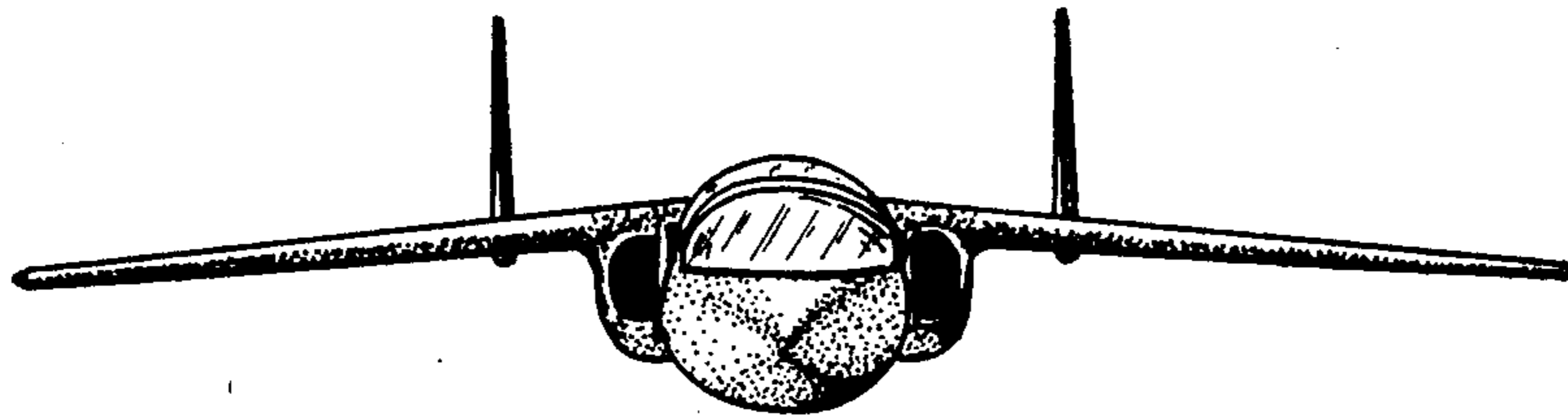


Fig. 6

