

**United States Patent** [19]  
**Aldred**

[11] **Patent Number: Des. 274,509**  
[45] **Date of Patent: \*\* Jul. 3, 1984**

[54] **MULTIGAP FUME DILUTER**  
[75] **Inventor: Derek L. Aldred, Dipton, England**  
[73] **Assignee: Haskel Energy Systems Ltd.,  
Sunderland, England**

2,913,871 11/1959 Bradshaw ..... 60/316 X  
3,016,692 1/1962 Iapella et al. .... 60/316 X  
3,043,097 7/1962 Inman et al. .... 60/316 X  
3,712,065 1/1973 Hurst ..... 60/316 X  
4,012,907 3/1977 Crayton ..... 60/317 X  
4,069,668 1/1978 Oldberg ..... 60/317

[\*\*] **Term: 14 Years**

[21] **Appl. No.: 315,746**

[22] **Filed: Oct. 28, 1981**

[30] **Foreign Application Priority Data**

[GB] **United Kingdom** .....

[52] **U.S. Cl.** ..... **D12/194**

[58] **Field of Search** ..... **D12/194; 60/316, 317**

[56] **References Cited**

**U.S. PATENT DOCUMENTS**

D. 247,360 2/1978 Hamaguchi et al. .... D12/194  
1,813,189 7/1931 Moore ..... D12/194 X

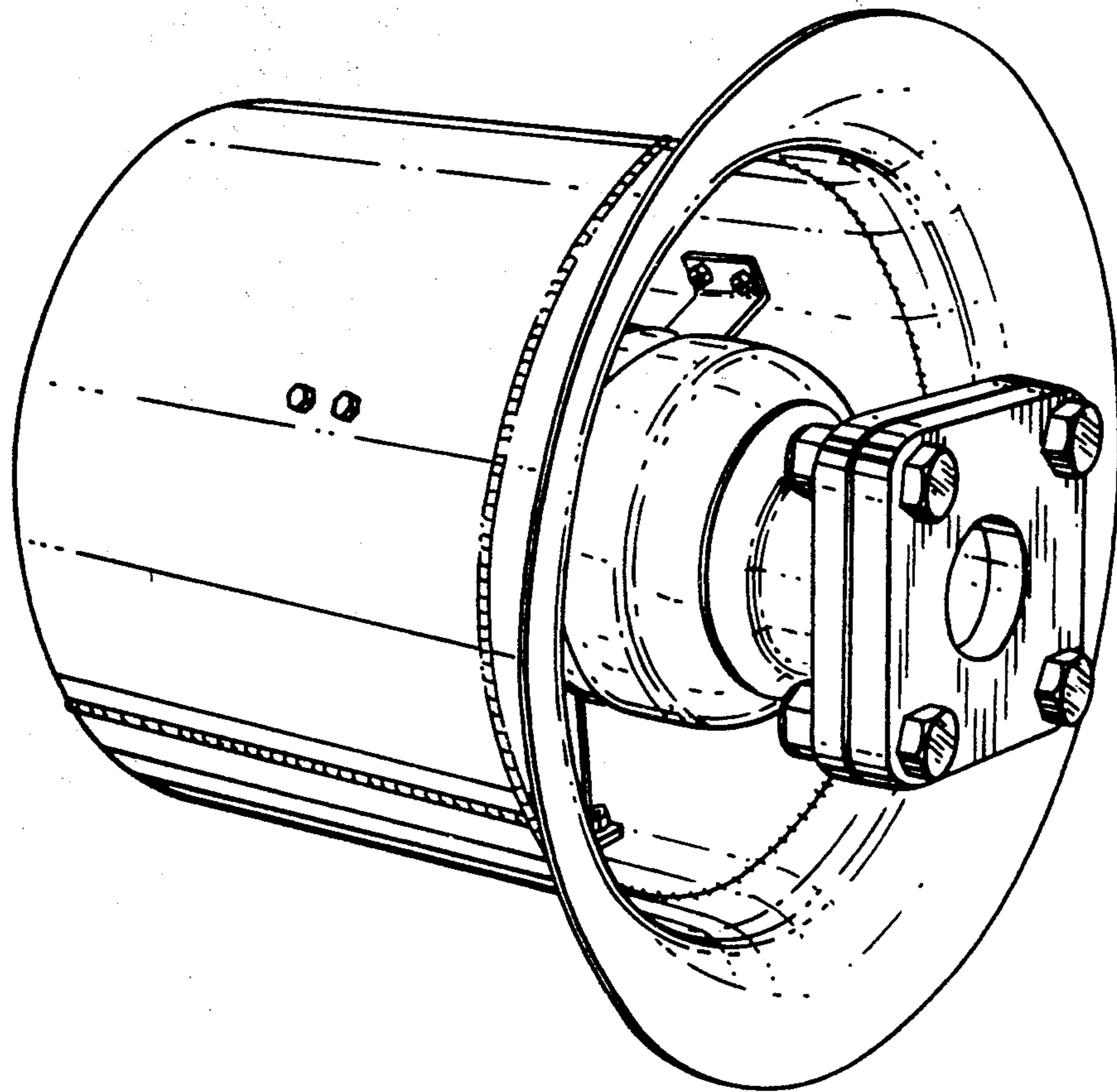
*Primary Examiner*—Catherine E. Kemper  
*Attorney, Agent, or Firm*—Pearne, Gordon, Sessions,  
McCoy, Granger & Tilberry

[57] **CLAIM**

The ornamental design for a multigap fume diluter, substantially as shown and described.

**DESCRIPTION**

FIG. 1 is a perspective view of a multigap fume diluter, showing my new design;  
FIG. 2 is an end elevational view thereof; and  
FIG. 3 is an elevational view taken from the end opposite that shown in FIGS. 1 and 2.



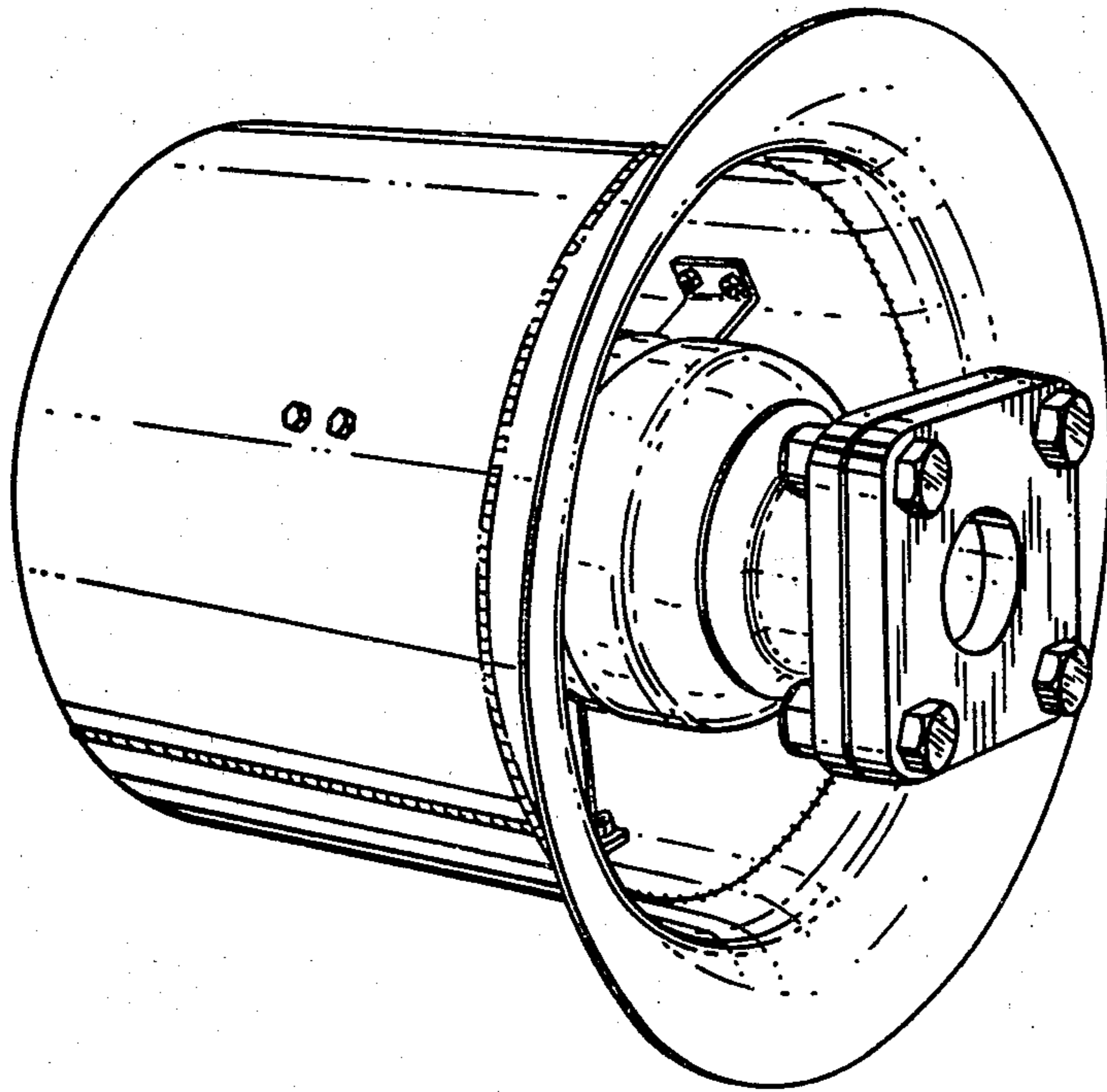


FIG. 1.

FIG. 2.

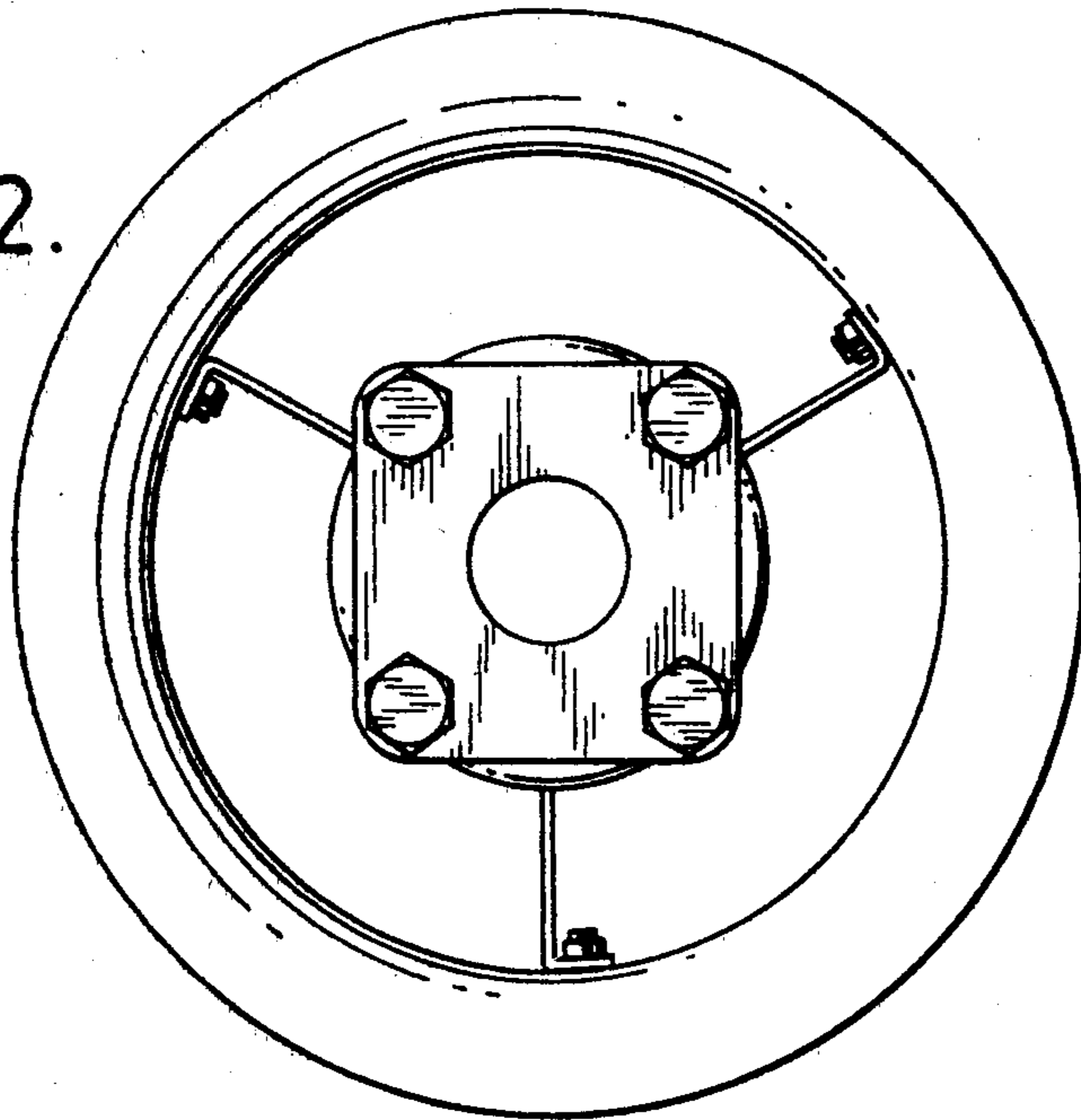


FIG. 3.

