

[54] SWIVEL SUPPORT FOR A SNOW MAKING MACHINE

[76] Inventor: Robert M. Ash, P.O. Box 364, Banner Elk, N.C. 28604

[**] Term: 14 Years

[21] Appl. No.: 389,685

[22] Filed: Jun. 18, 1982

[52] U.S. Cl. D8/349

[58] Field of Search D8/349, 354, 396, 394; 239/2.5

[56] References Cited

U.S. PATENT DOCUMENTS

D. 195,997	8/1963	Reilhoffer	D8/394
D. 236,798	9/1975	Hall	D8/396
2,852,832	9/1958	Jones	D8/396
2,945,277	7/1960	Wiora	D8/396
3,367,056	2/1968	Johnson	D8/394
3,464,625	9/1969	Carlsson	239/2.5
3,761,020	9/1973	Tropeano et al.	239/2.5
3,964,682	6/1976	Tropeano et al.	239/2.5

4,059,872 11/1977 Delsandri D8/396

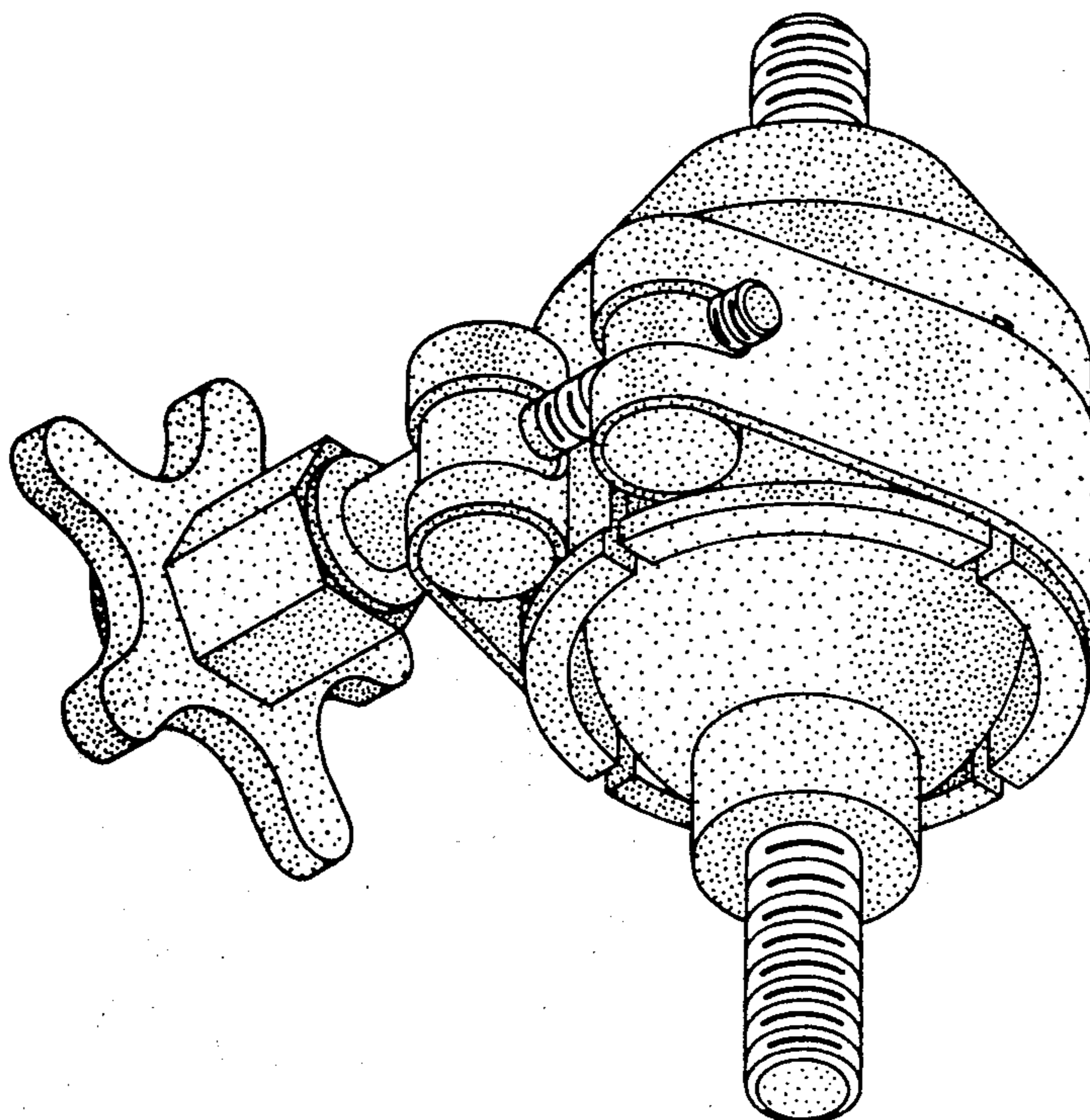
Primary Examiner—Wallace R. Burke
Assistant Examiner—Horace B. Fay
Attorney, Agent, or Firm—Woodford R. Thompson, Jr.

[57] CLAIM

The ornamental design for a swivel support for a snow making machine, as shown.

DESCRIPTION

FIG. 1 is a perspective view of a swivel support for a snow making machine showing my new design;
FIG. 2 is a perspective view looking from the under side;
FIG. 3 is a side elevational view thereof;
FIG. 4 is a side elevational view of the side opposite that shown in FIG. 3;
FIG. 5 is a side elevational view looking from the left side of FIG. 3;
FIG. 6 is a side elevational view looking from the right side of FIG. 3;
FIG. 7 is a top plan view thereof; and,
FIG. 8 is a bottom view thereof.



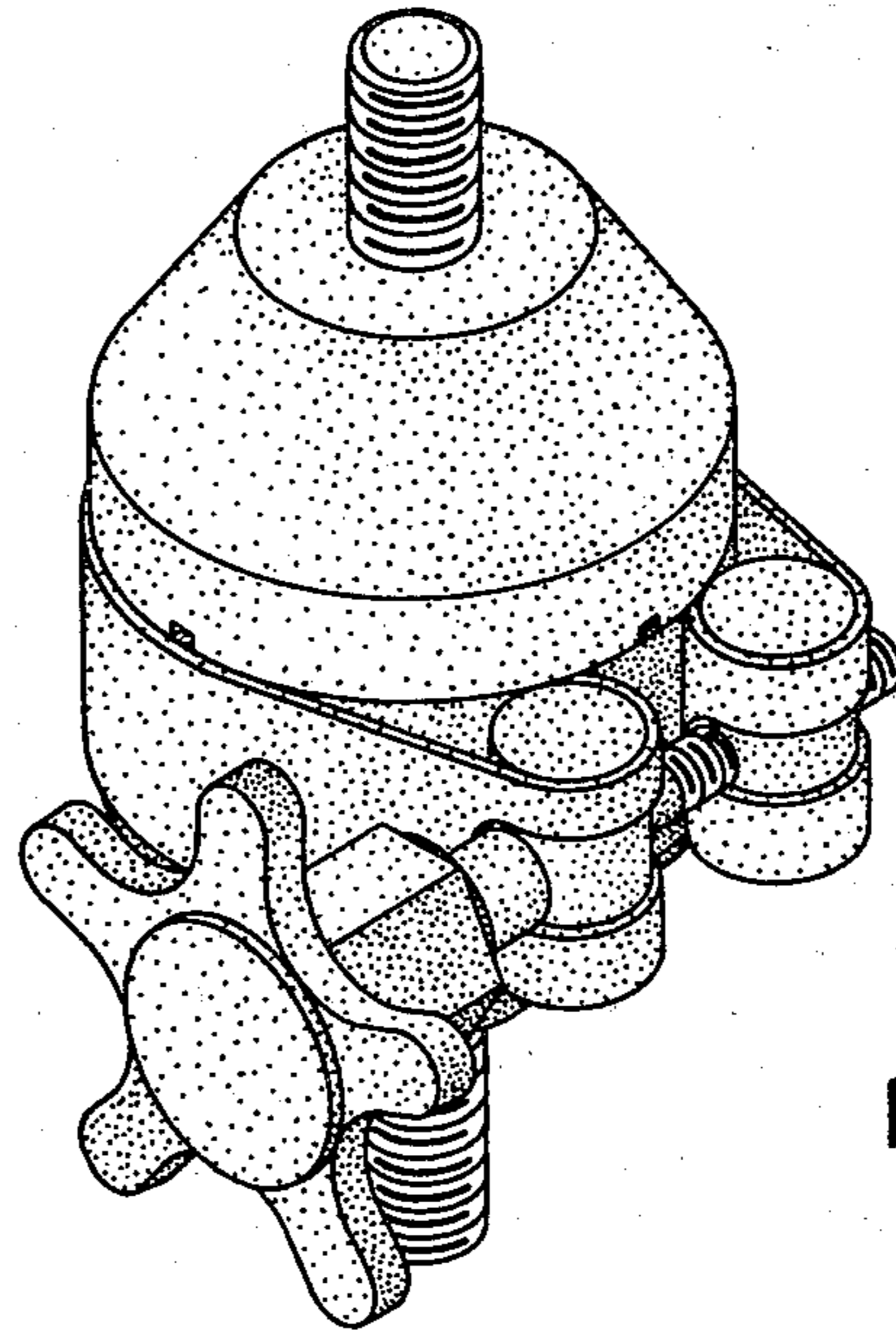


Fig. 1

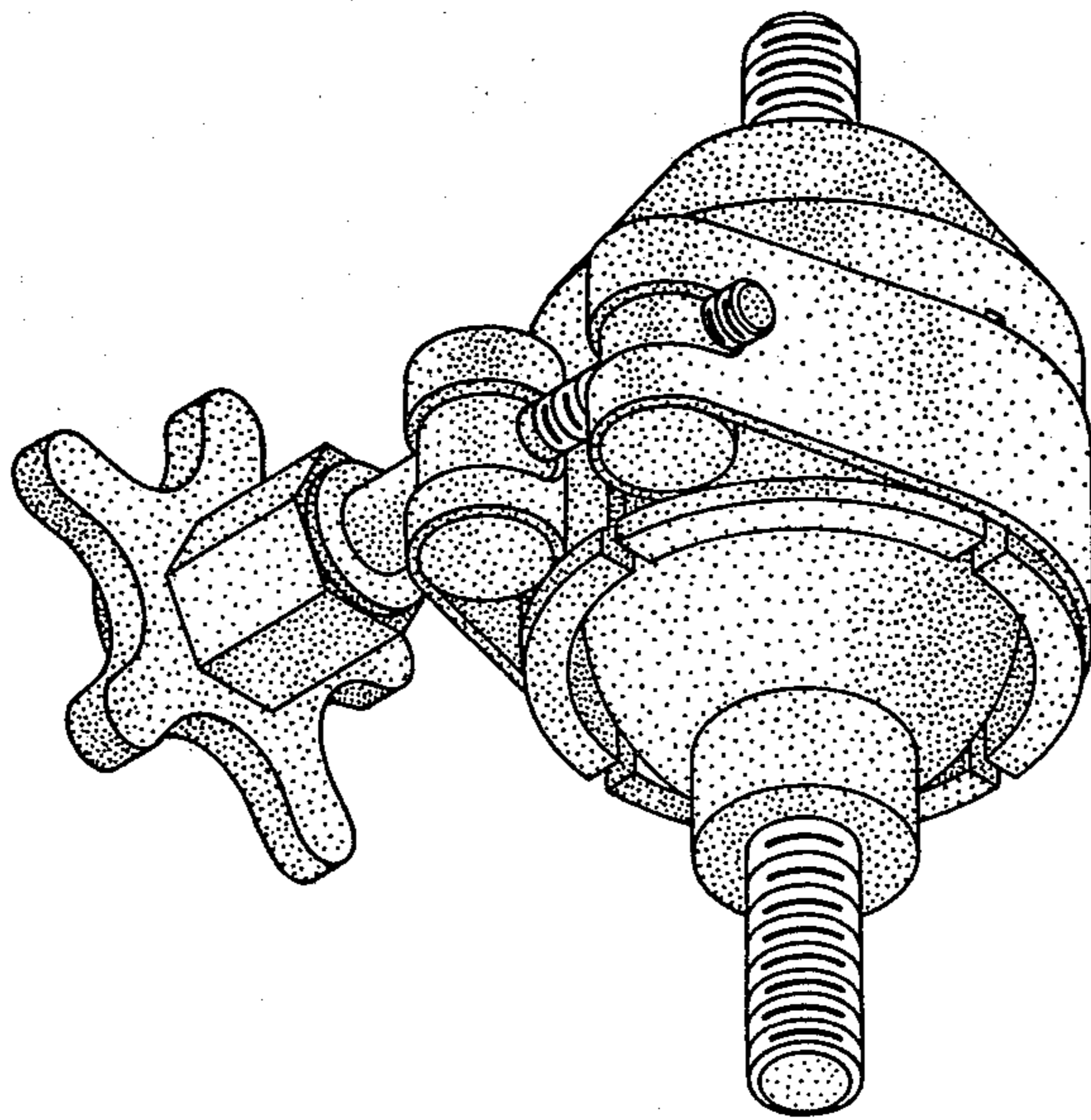


Fig. 2

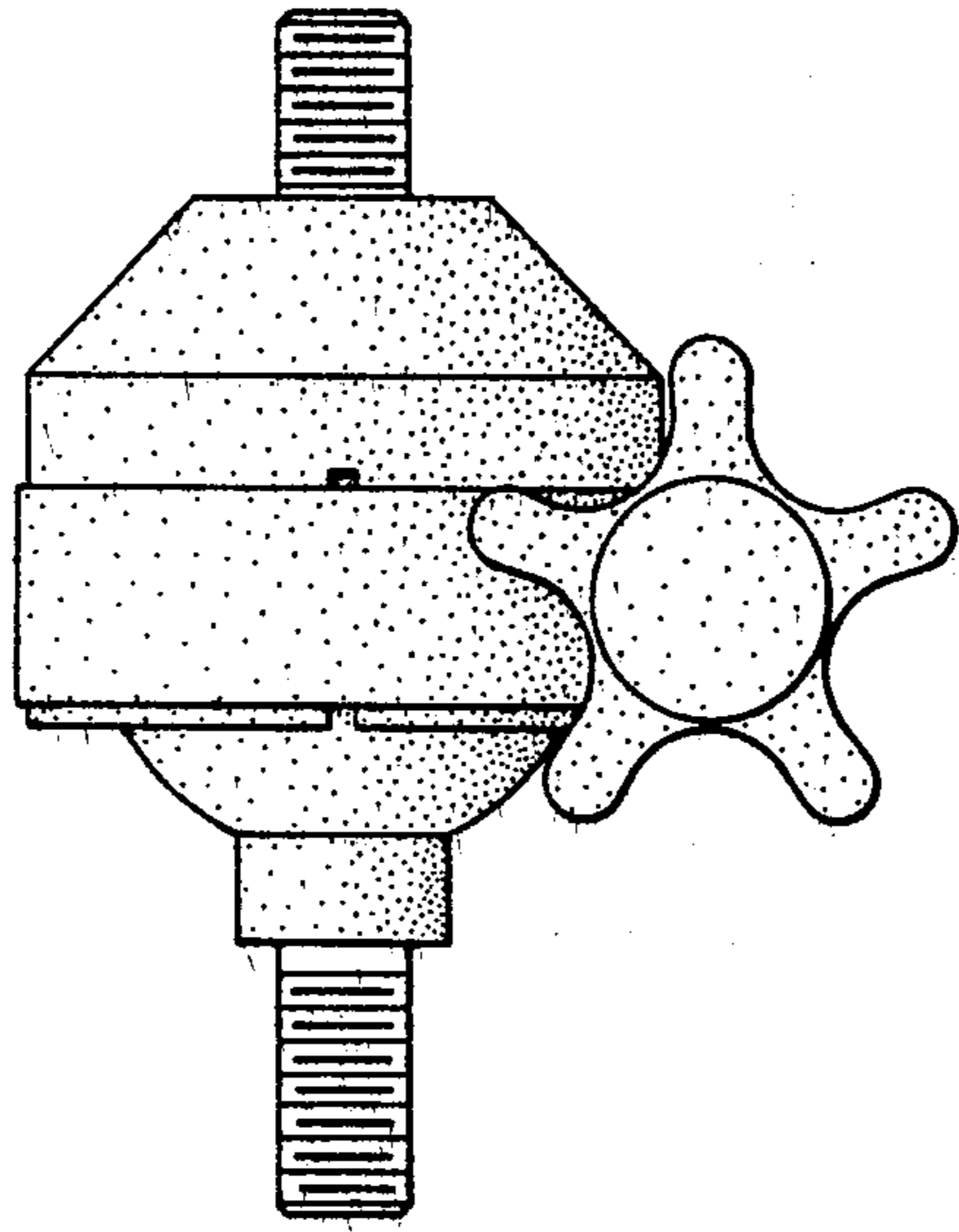


Fig. 3

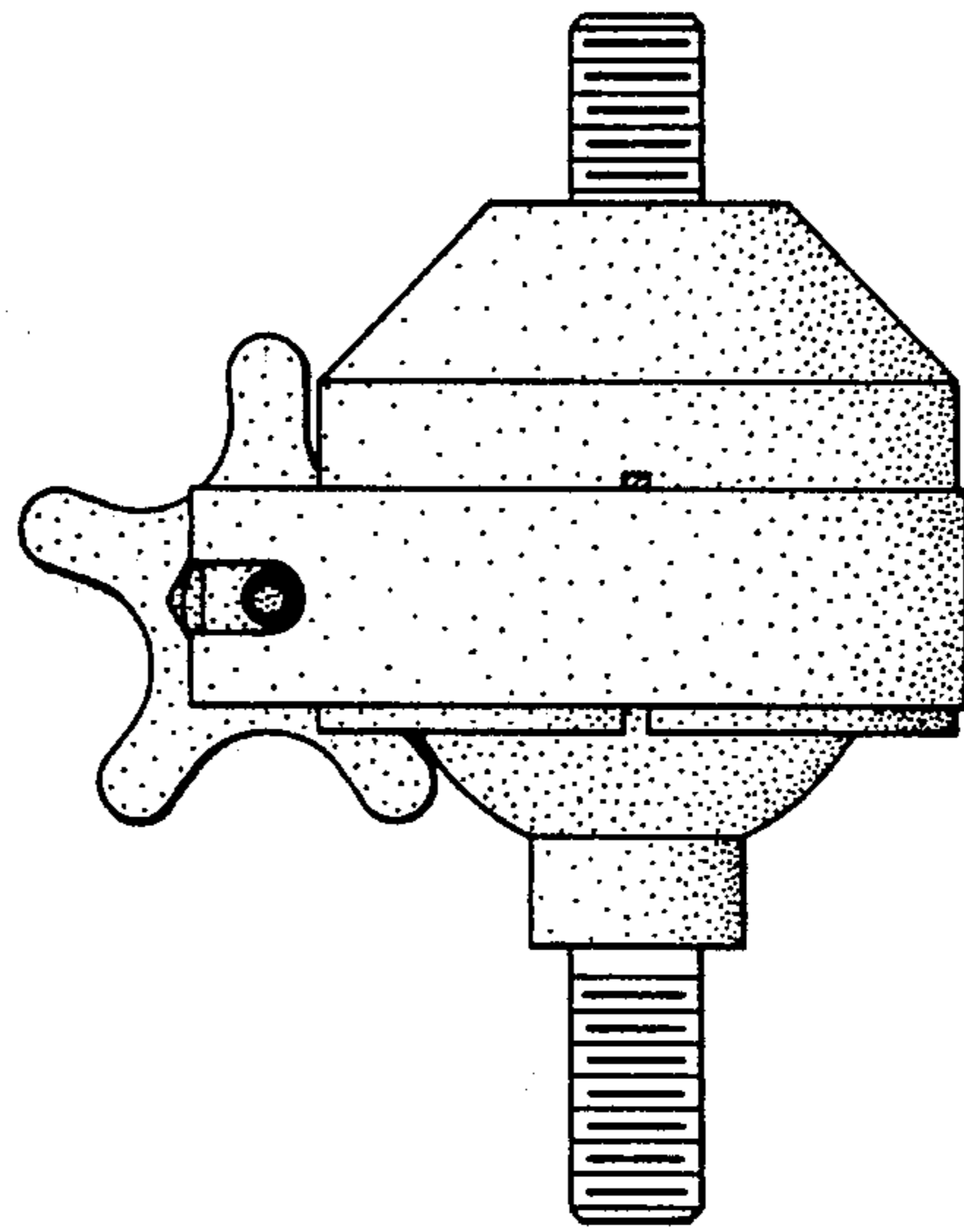


Fig. 4

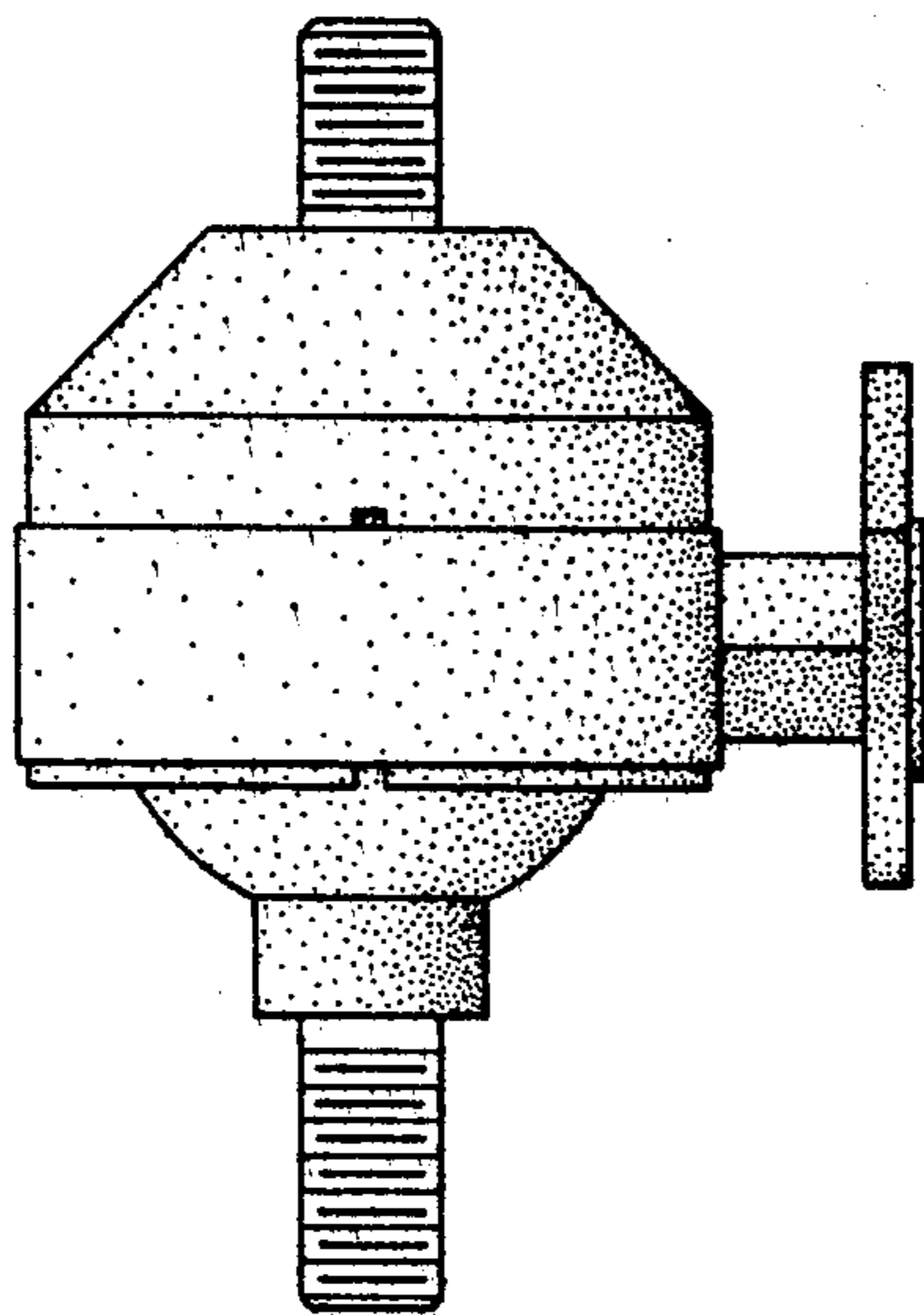


Fig. 5

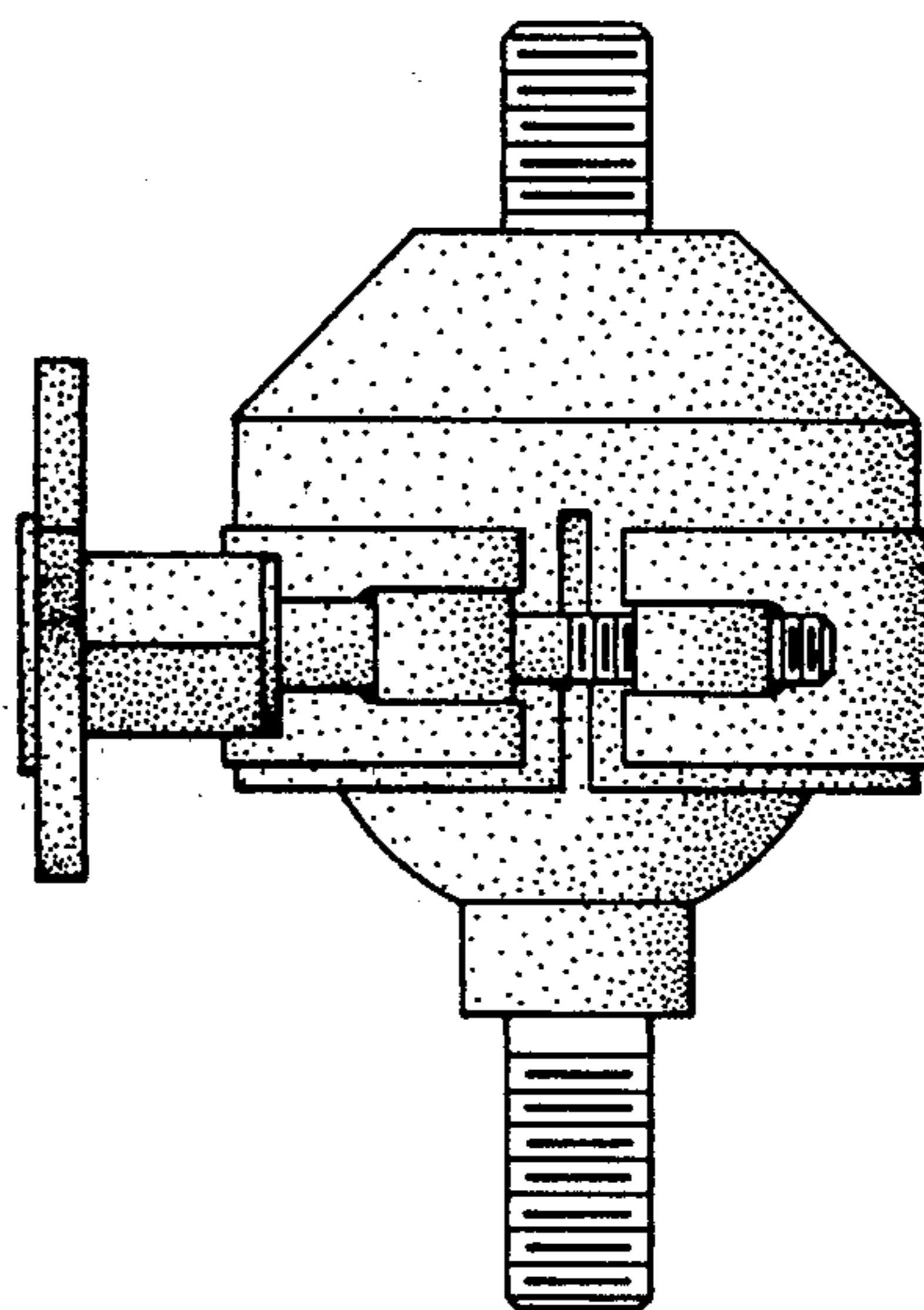


Fig. 6

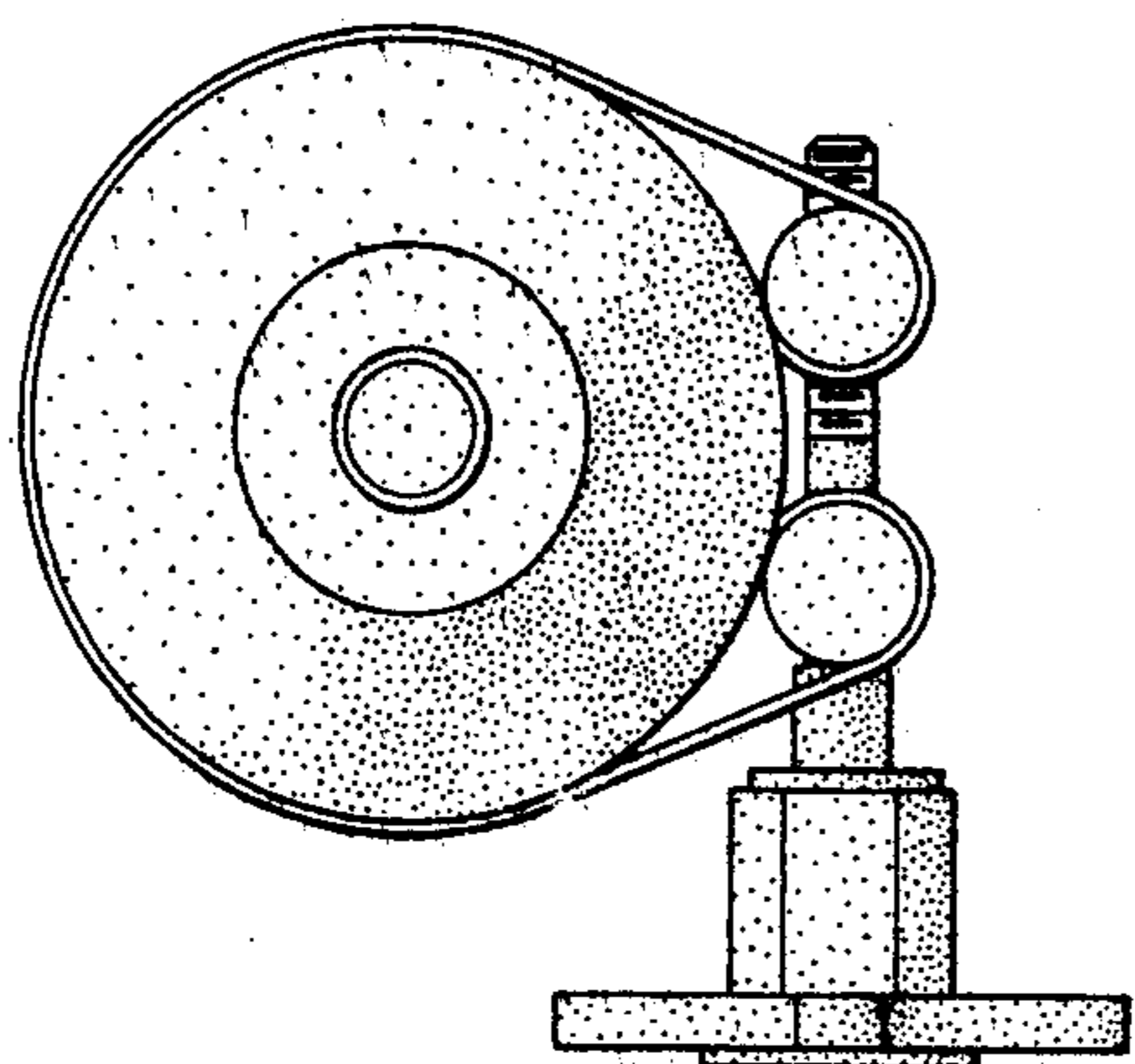


Fig. 7

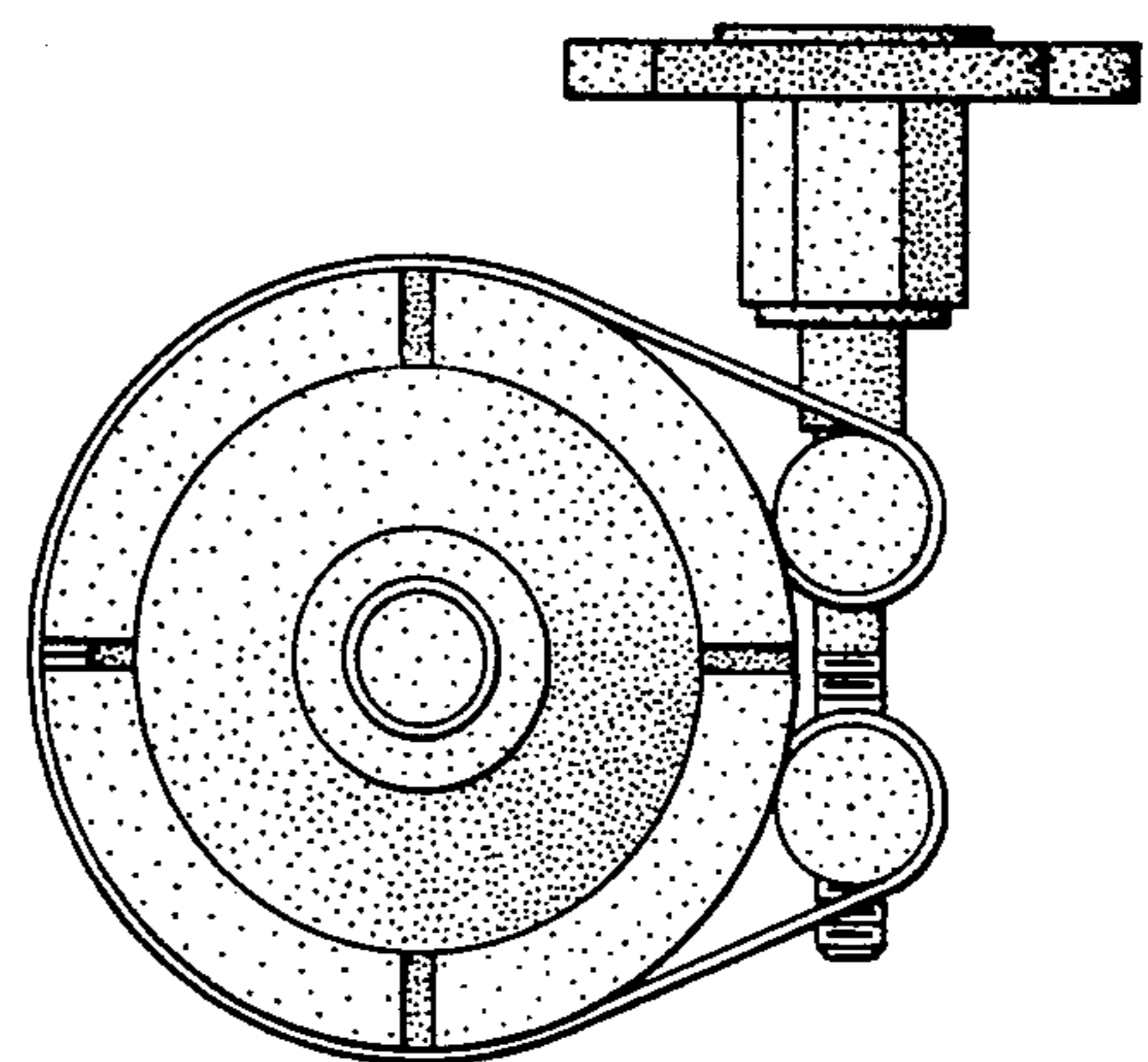


Fig. 8