

[54] COMBINED STORAGE AND DISPLAY CABINET FOR FASTENERS

[75] Inventors: Henry L. DeVries, Portage, Mich.; Myron A. Roth Jr., St. Paul; William A. Roth, Lakeland, both of Minn.

[73] Assignee: Midwest Fastener Corporation, Kalamazoo, Mich.

[\*\*] Term: 14 Years

[21] Appl. No.: 345,036

[22] Filed: Feb. 2, 1982

[52] U.S. Cl. .... D6/476; D6/479

[58] Field of Search ..... D6/157-170, D6/181, 186, 188

[56] References Cited

U.S. PATENT DOCUMENTS

|            |        |             |       |          |
|------------|--------|-------------|-------|----------|
| D. 234,899 | 4/1975 | Svensson    | ..... | D6/165 X |
| D. 252,397 | 7/1979 | Cousins     | ..... | D6/165 X |
| D. 254,883 | 5/1960 | Jorda-Segui | ..... | D6/186 X |
| D. 254,887 | 5/1980 | Jorda-Segui | ..... | D6/186   |
| D. 259,676 | 6/1981 | Ackeret     | ..... | D6/165 X |
| D. 261,011 | 9/1981 | Brown       | ..... | D19/90   |

OTHER PUBLICATIONS

Office Furniture Mart Catalog for 1981, p. 46, mobile filing cart.

Primary Examiner—Bruce W. Dunkins  
Attorney, Agent, or Firm—Fay & Sharpe

[57] CLAIM

The ornamental design for a combined storage and display cabinet for fasteners, as shown.

DESCRIPTION

FIG. 1 is a front perspective view of a combined storage and display cabinet for fasteners showing our design; FIG. 2 is a perspective bottom view thereof, showing one tray in extended position; FIG. 3 is an exploded perspective view thereof, showing the top removed and the trays in storage position; FIG. 4 is a front view thereof; FIG. 5 is a left side view thereof; FIG. 6 is a right side view thereof; FIG. 7 is a top view thereof; FIG. 8 is a bottom view thereof; and FIG. 9 is a rear elevational view thereof.

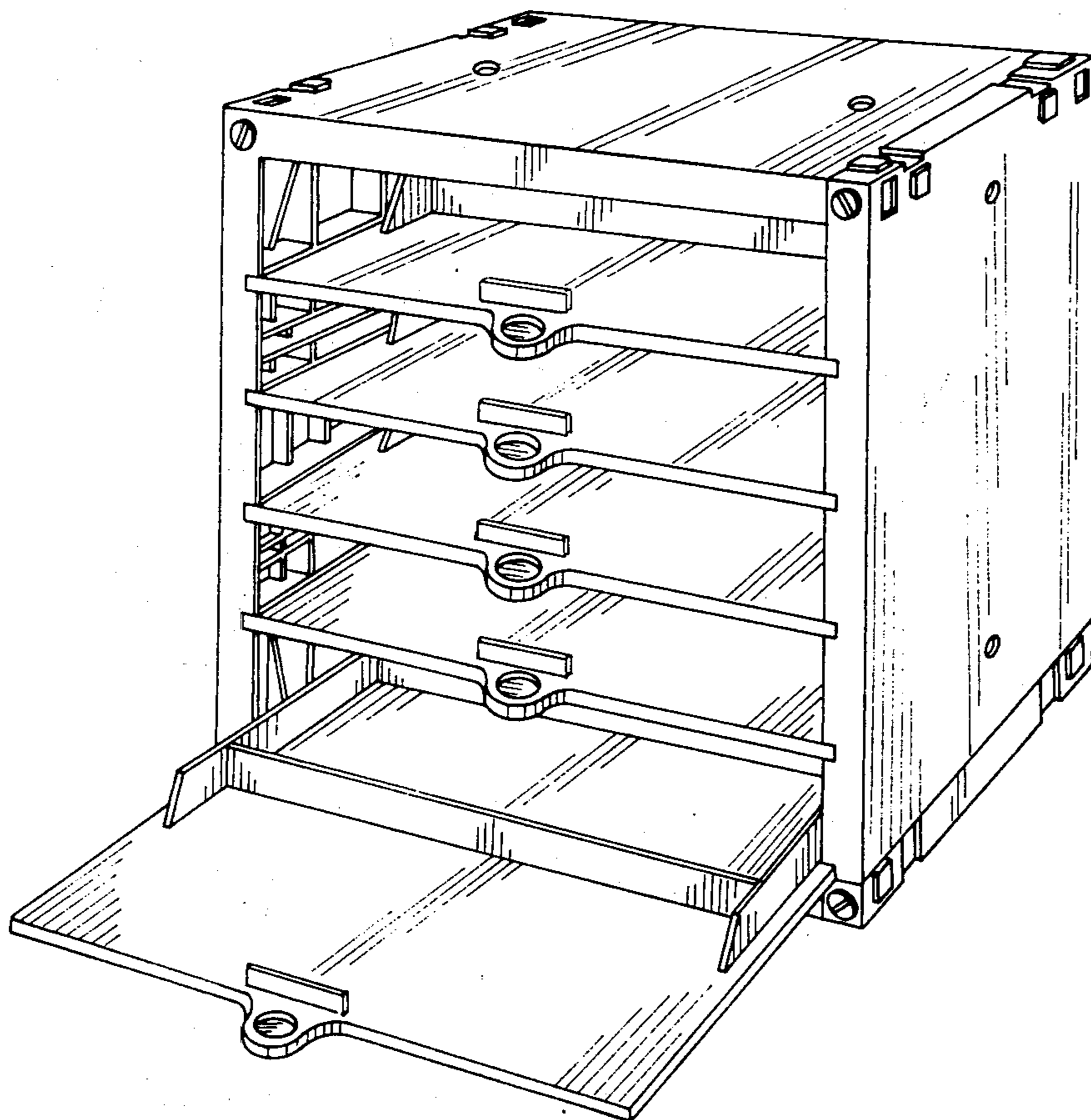


FIG. 1

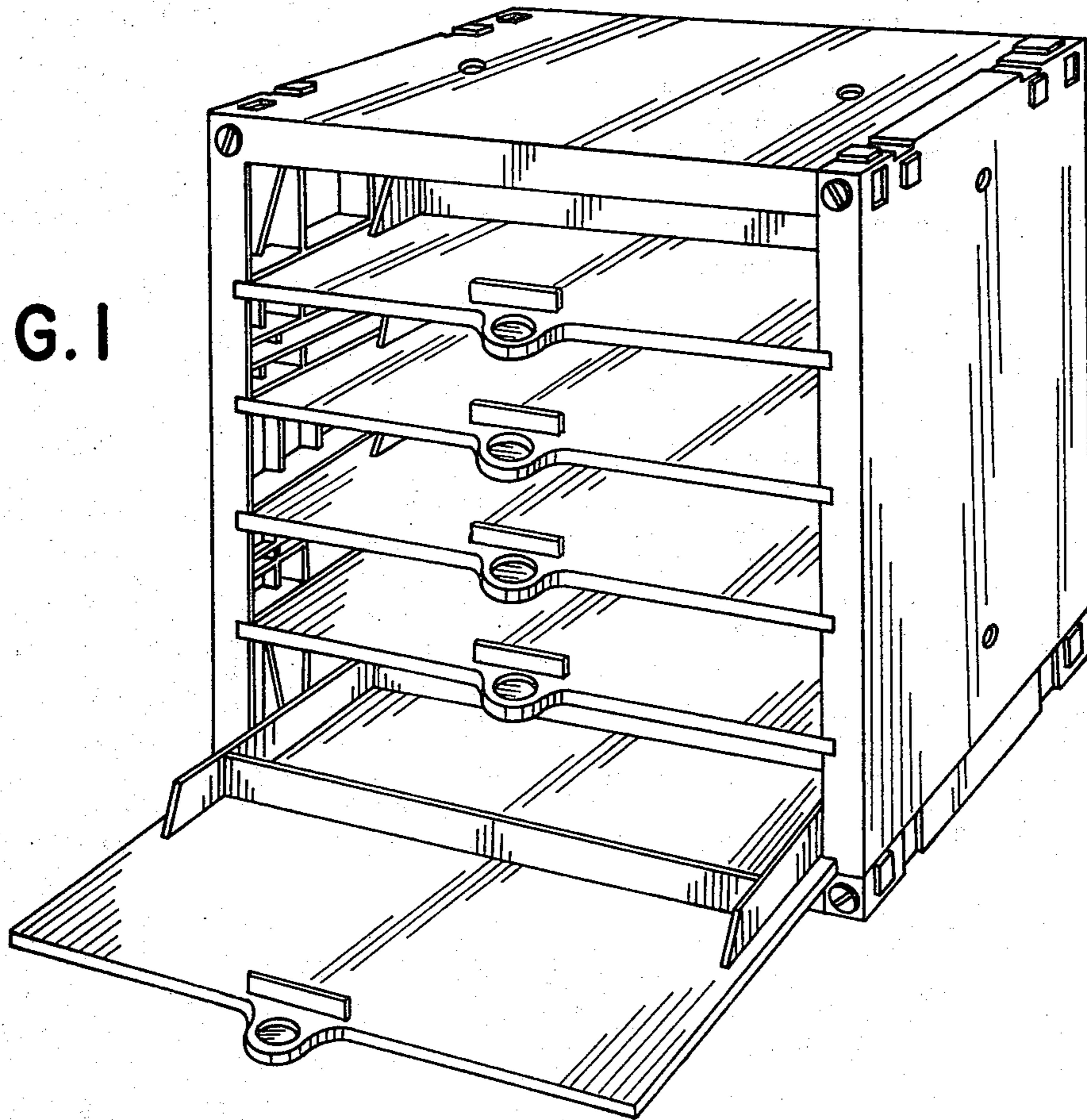
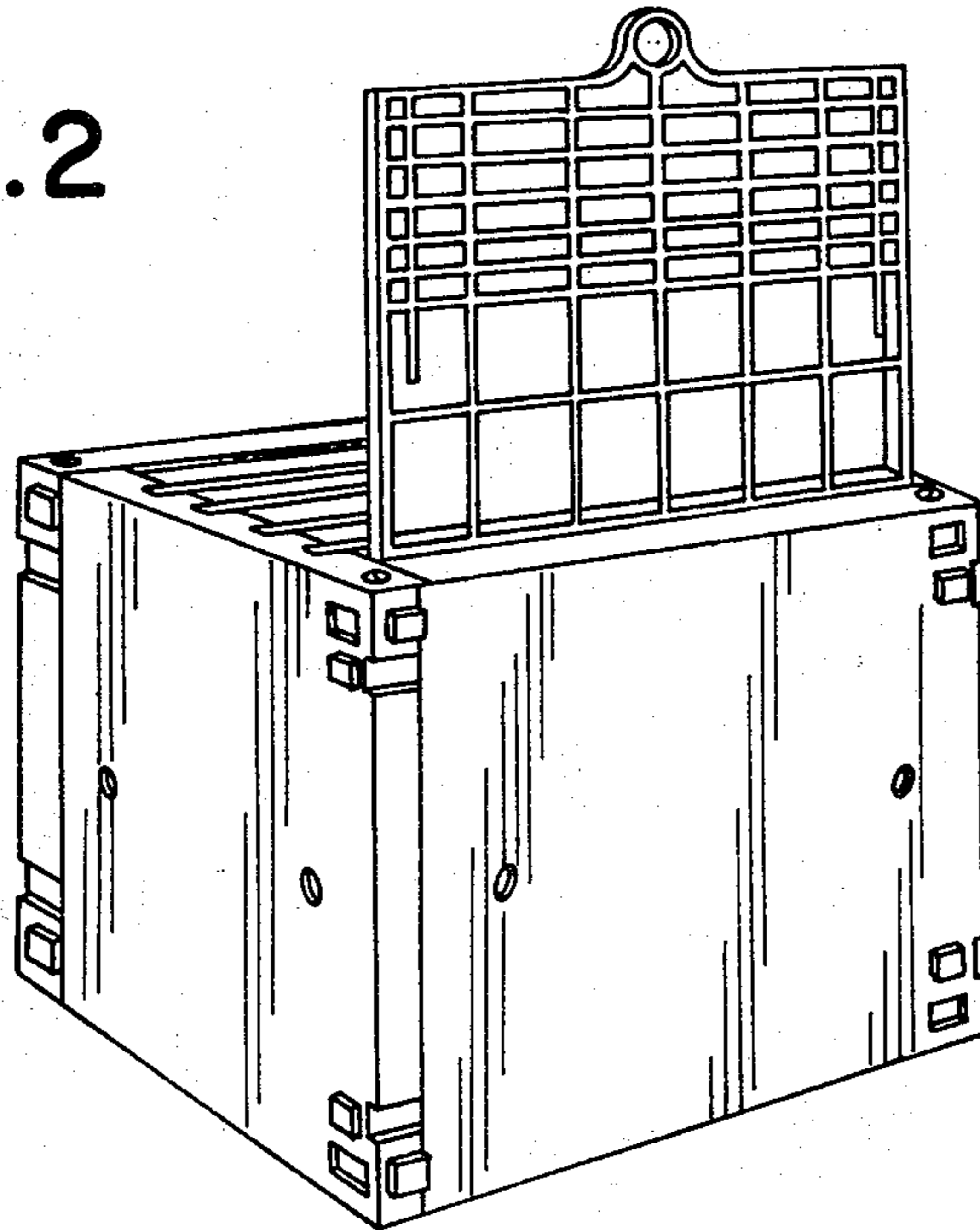


FIG. 2



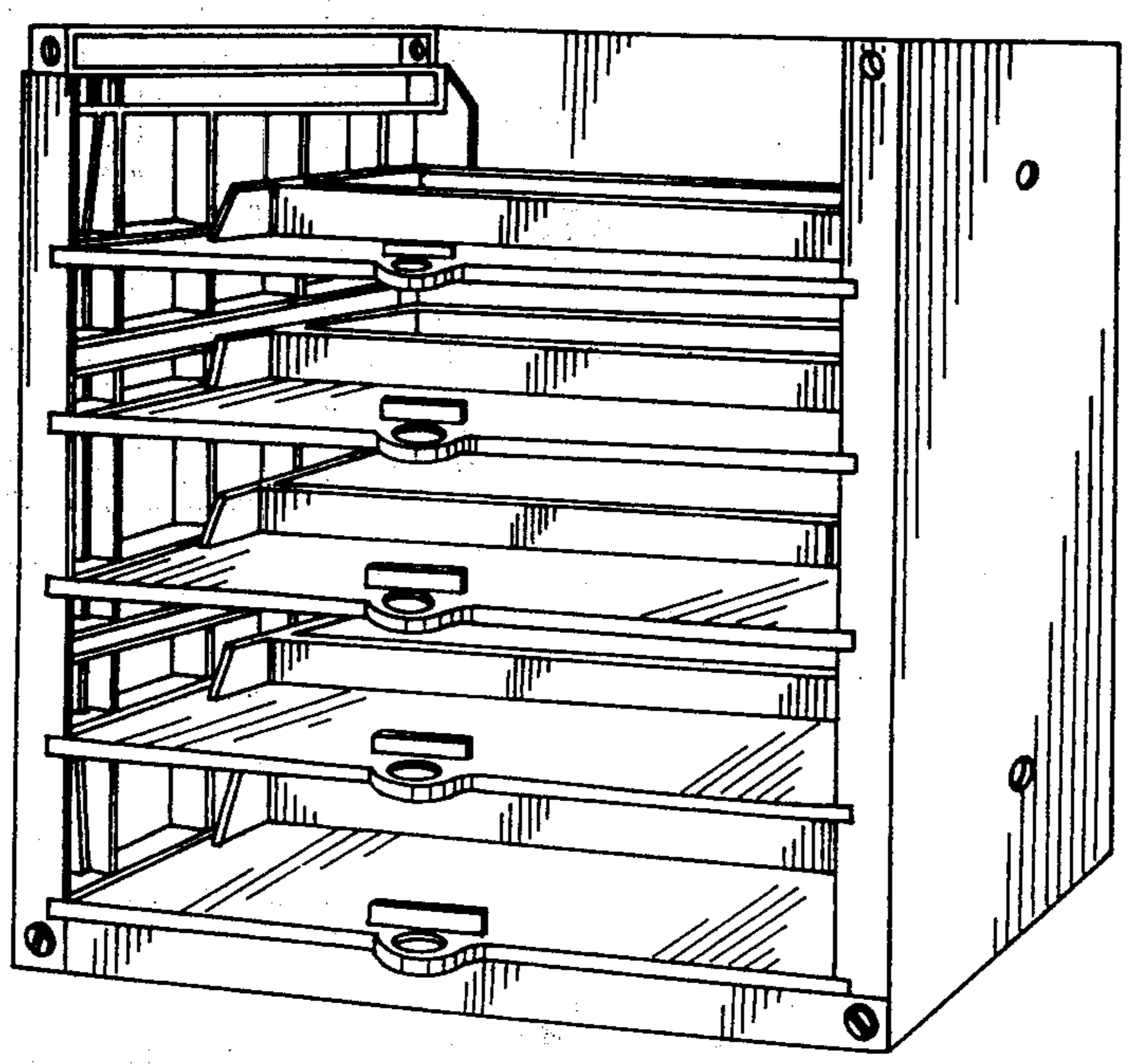
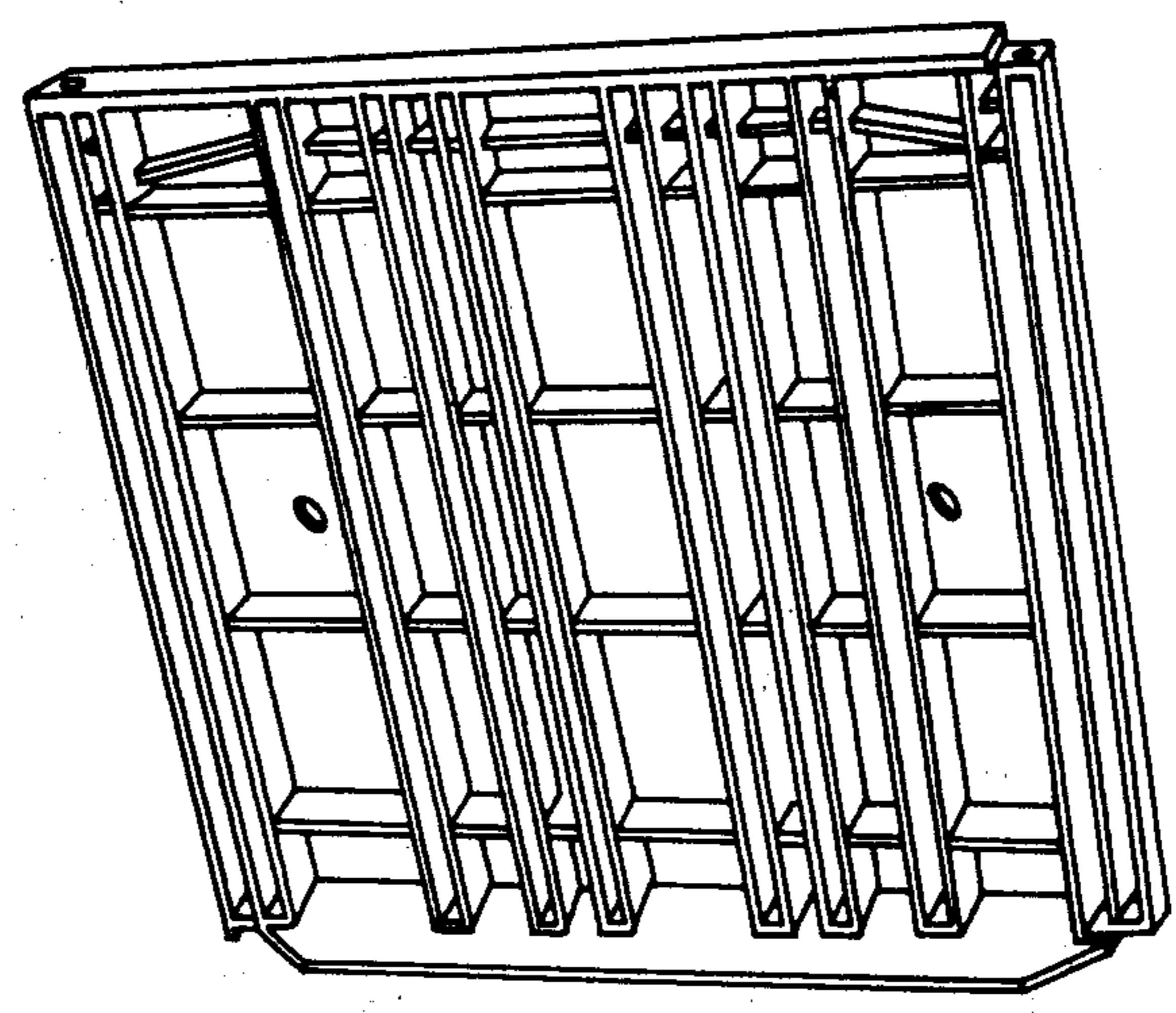


FIG. 3

FIG. 8

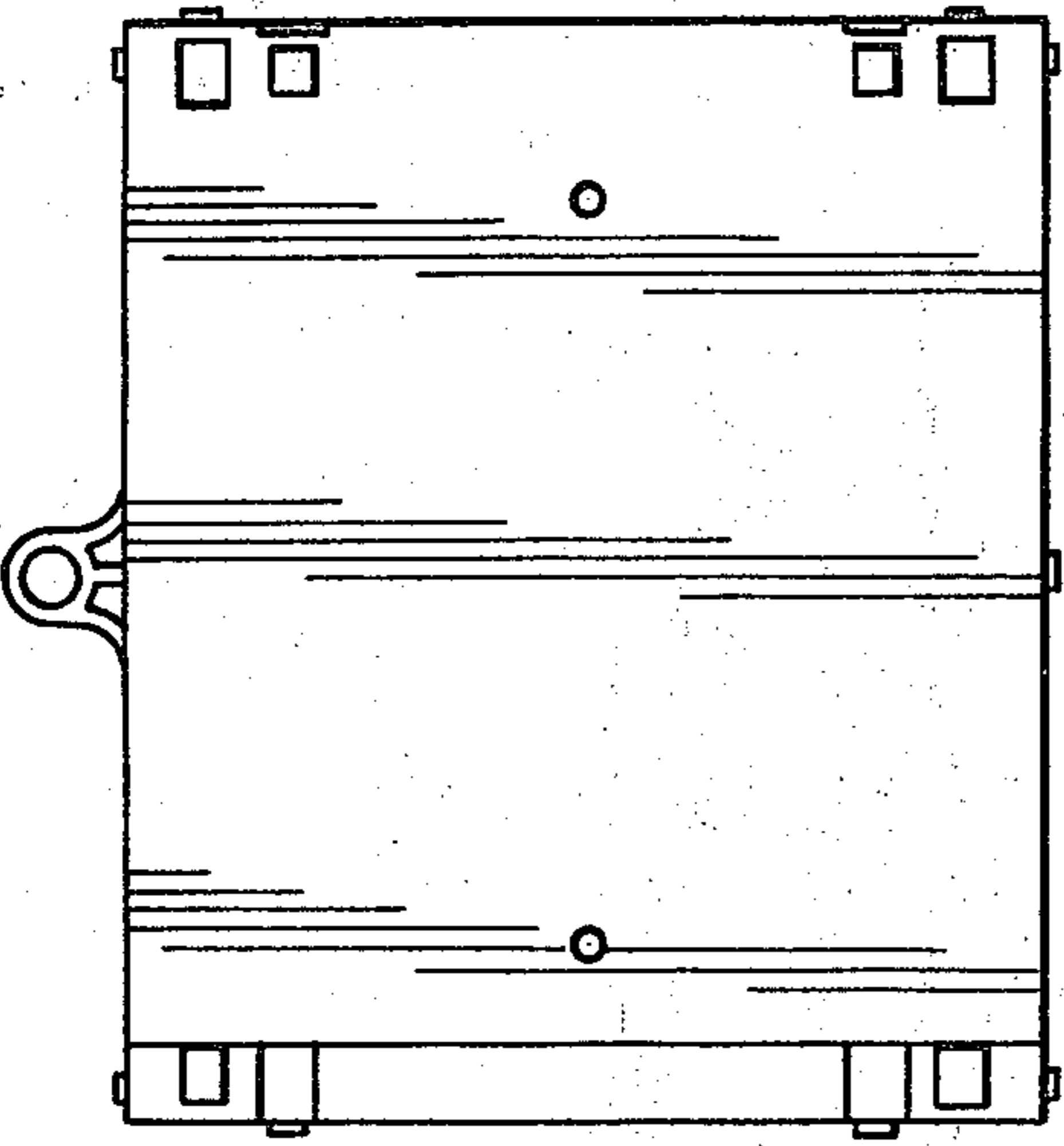


FIG. 6

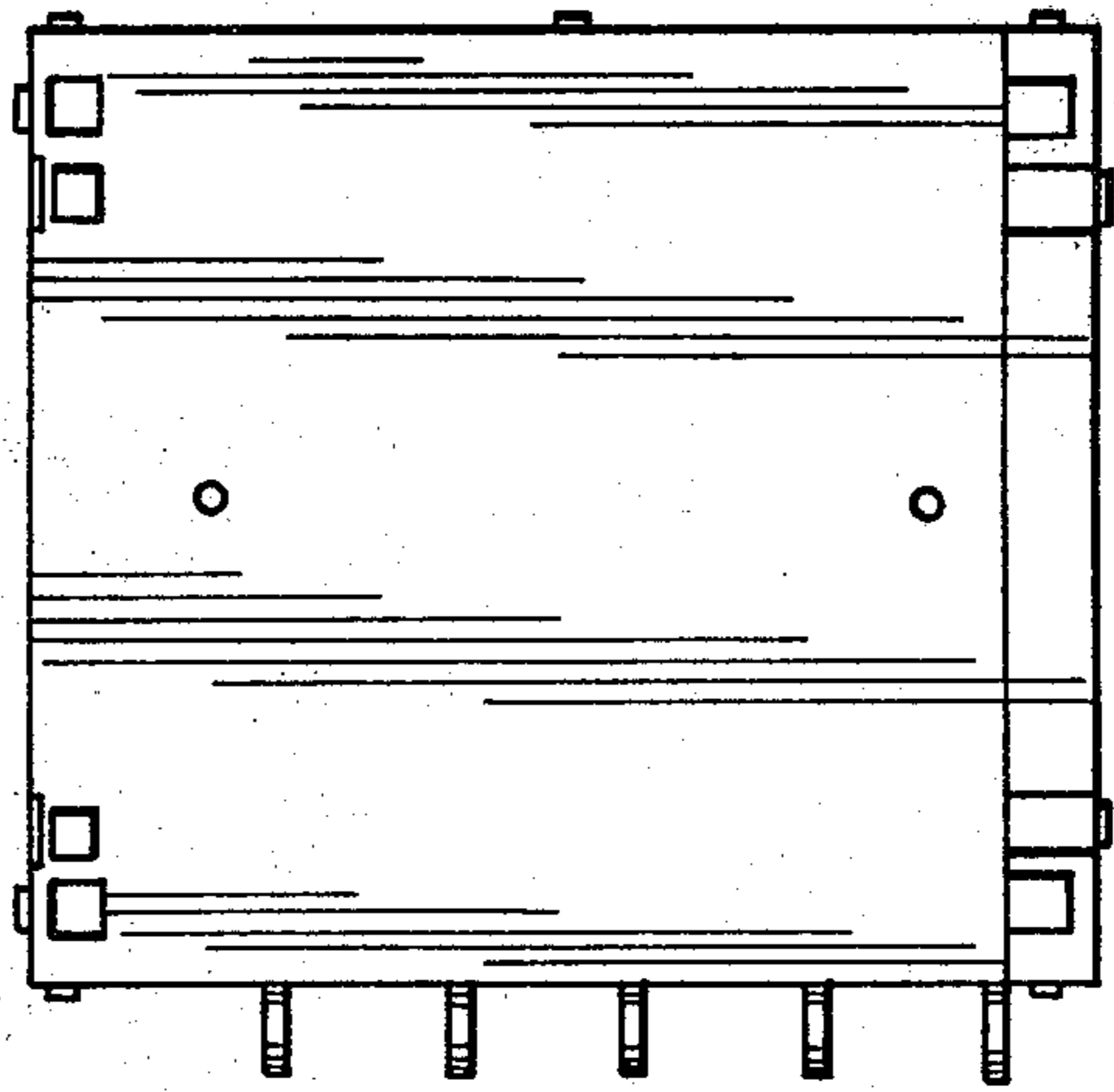


FIG. 7

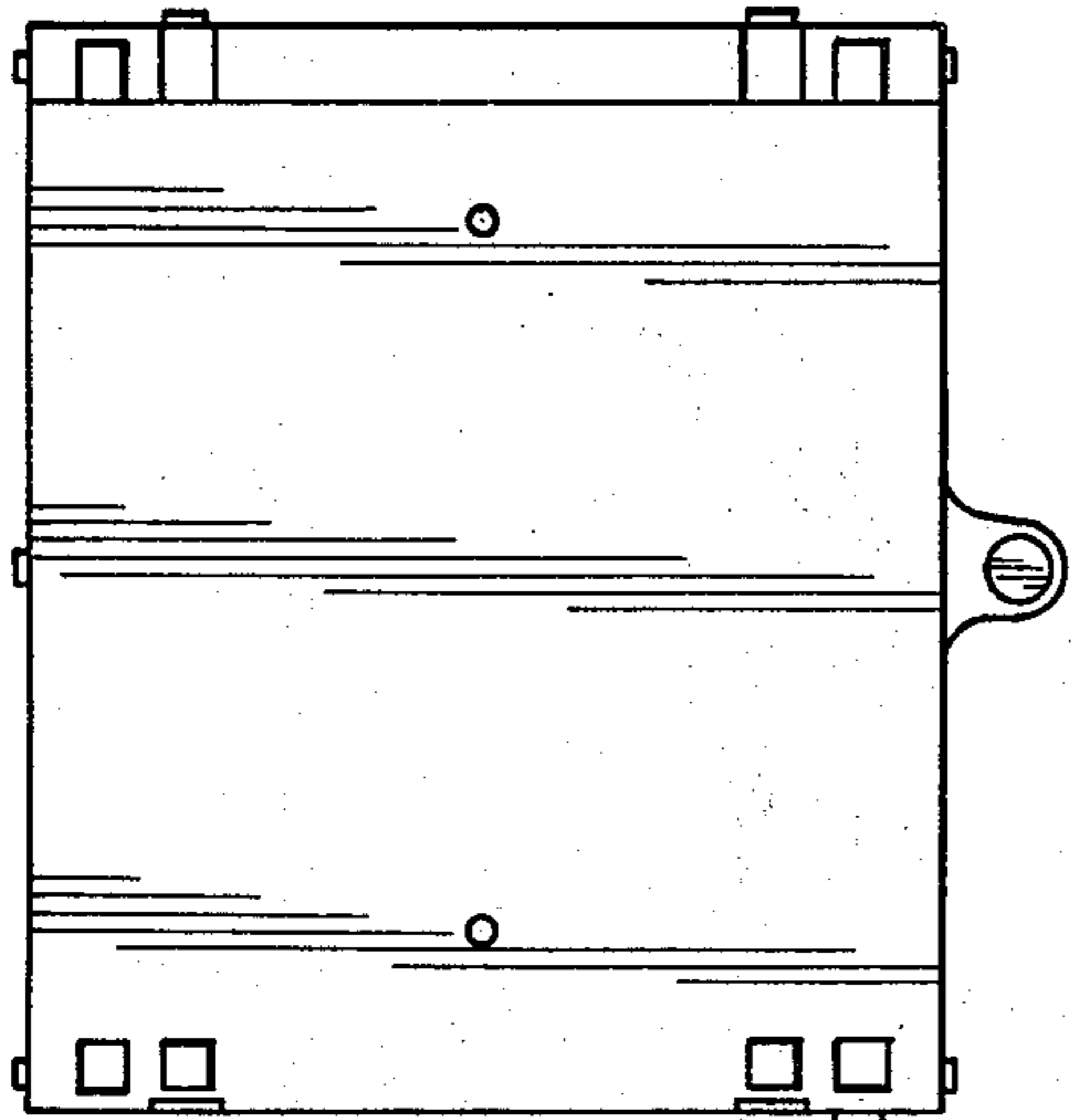


FIG. 4

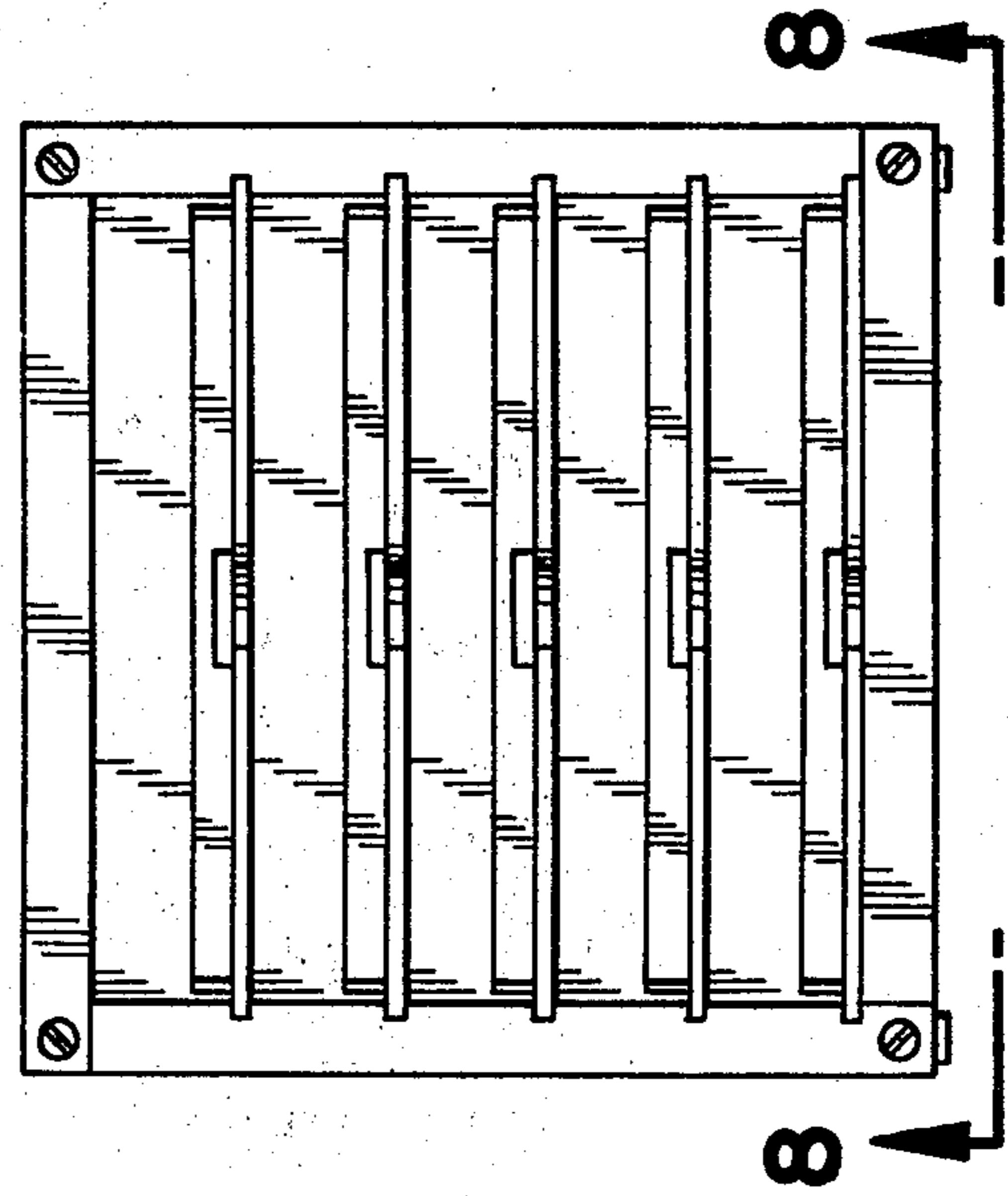


FIG. 9

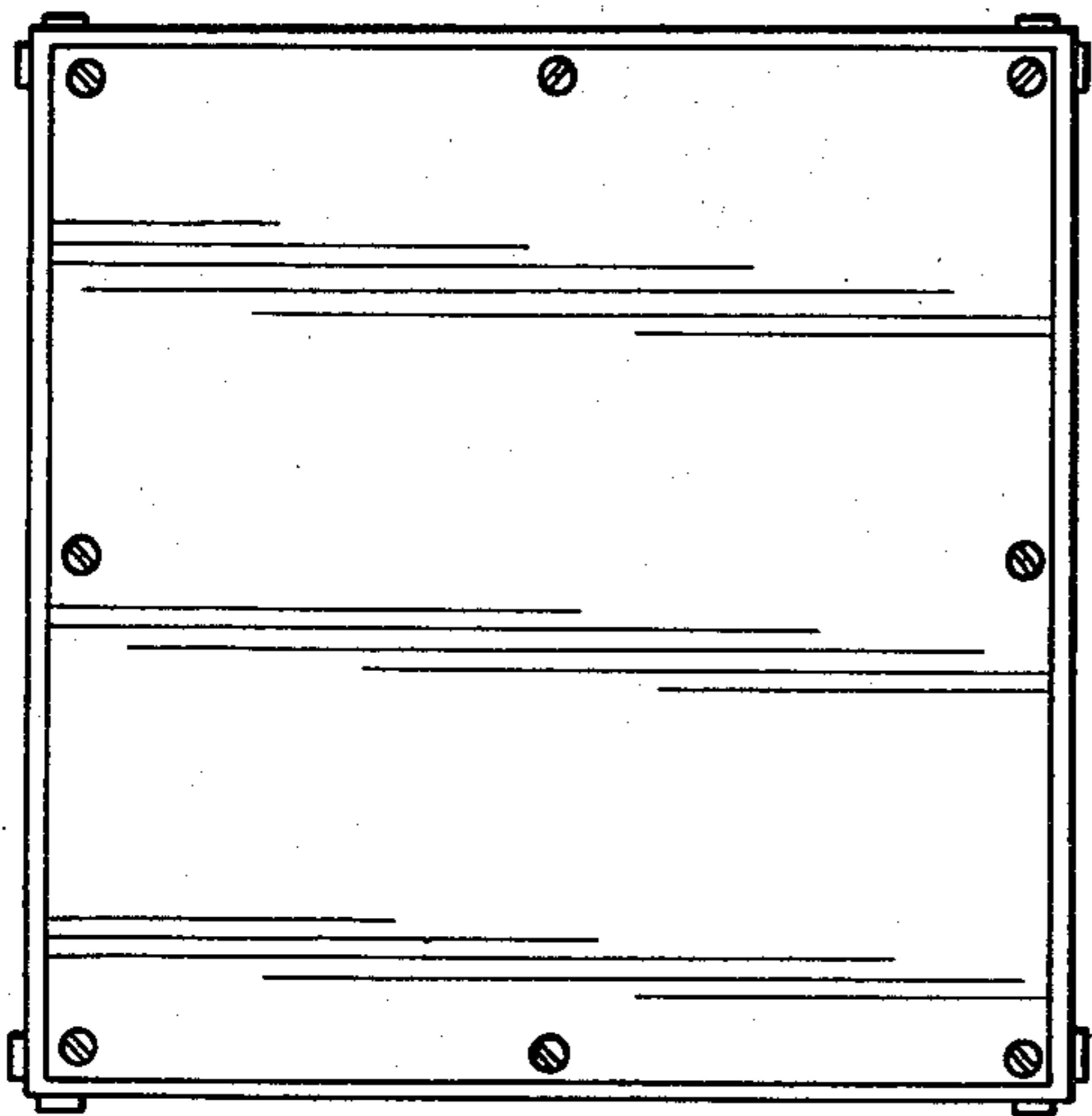


FIG. 5

