

[54] INFLATING AND DEFLATING DEVICE FOR VASCULAR DILATING CATHETER ASSEMBLY

[56]

References Cited

U.S. PATENT DOCUMENTS

D. 235,173	5/1975	Boone .....	D24/54
4,332,254	6/1982	Lundquist .....	128/344
4,367,747	1/1983	Witzel .....	128/344
4,370,982	2/1983	Reilly .....	604/100

[75] Inventor: Ingemar H. Lundquist, Oakland, Calif.

Primary Examiner—Bernard Ansher  
Attorney, Agent, or Firm—Flehr, Hohbach, Test, Albritton & Herbert

[73] Assignee: Advanced Cardiovascular Systems, Inc., Mountain View, Calif.

[57]

CLAIM

[\*\*] Term: 14 Years

The ornamental design for an inflating and deflating device for vascular dilating catheter assembly, is substantially as shown and described.

[21] Appl. No.: 313,390

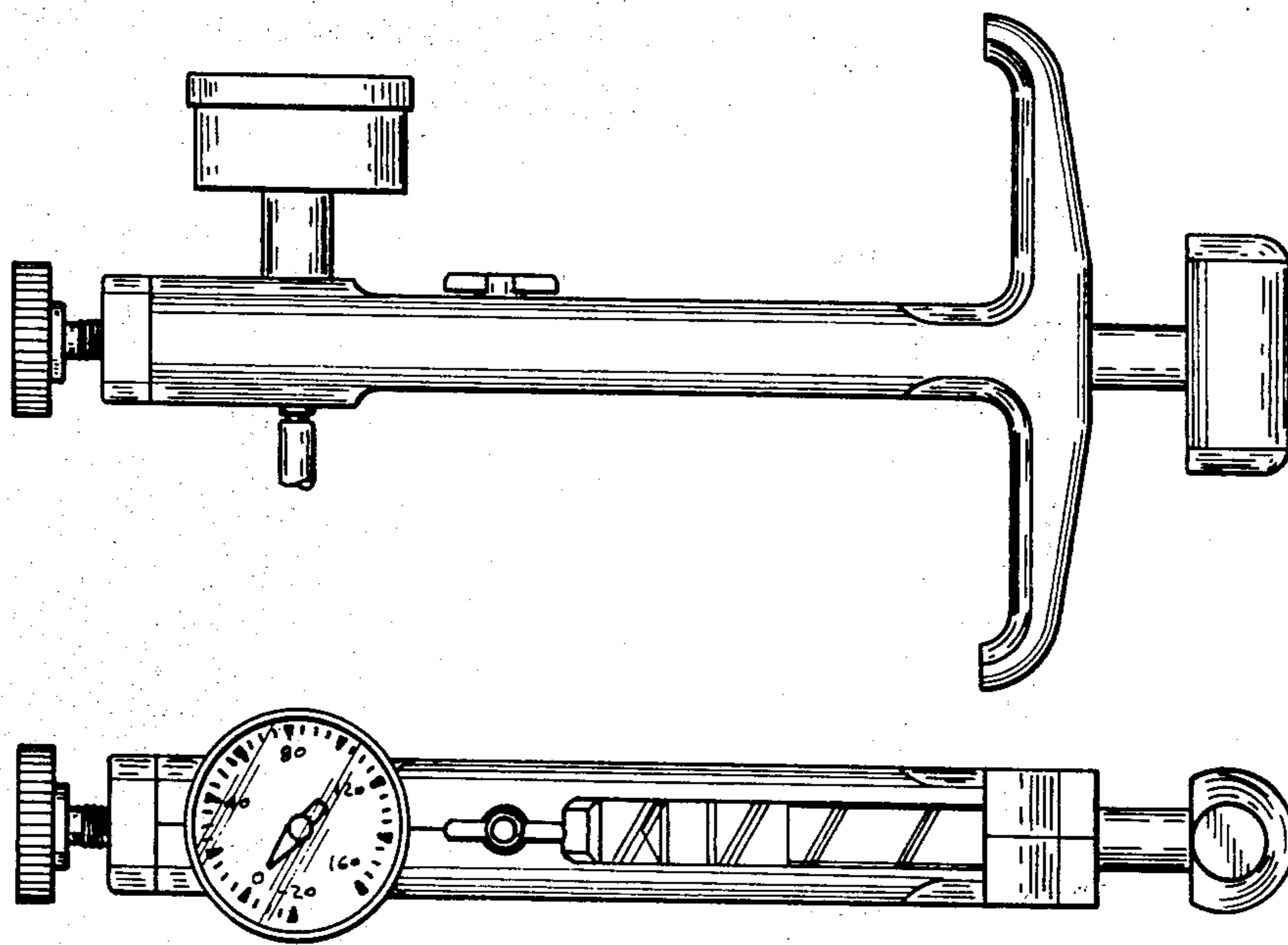
DESCRIPTION

[22] Filed: Oct. 21, 1981

FIG. 1 is a side elevational view of an inflating and deflating device showing my new design; FIG. 2 is a top plan view thereof; FIG. 3 is a bottom plan view thereof; FIG. 4 is a rear elevational view thereof; and FIG. 5 is a front elevational view thereof.

[52] U.S. Cl. .... D24/54; D24/8

[58] Field of Search ..... 128/325, 344; 604/97, 604/98, 100; D24/51, 54, 99, 8, 24



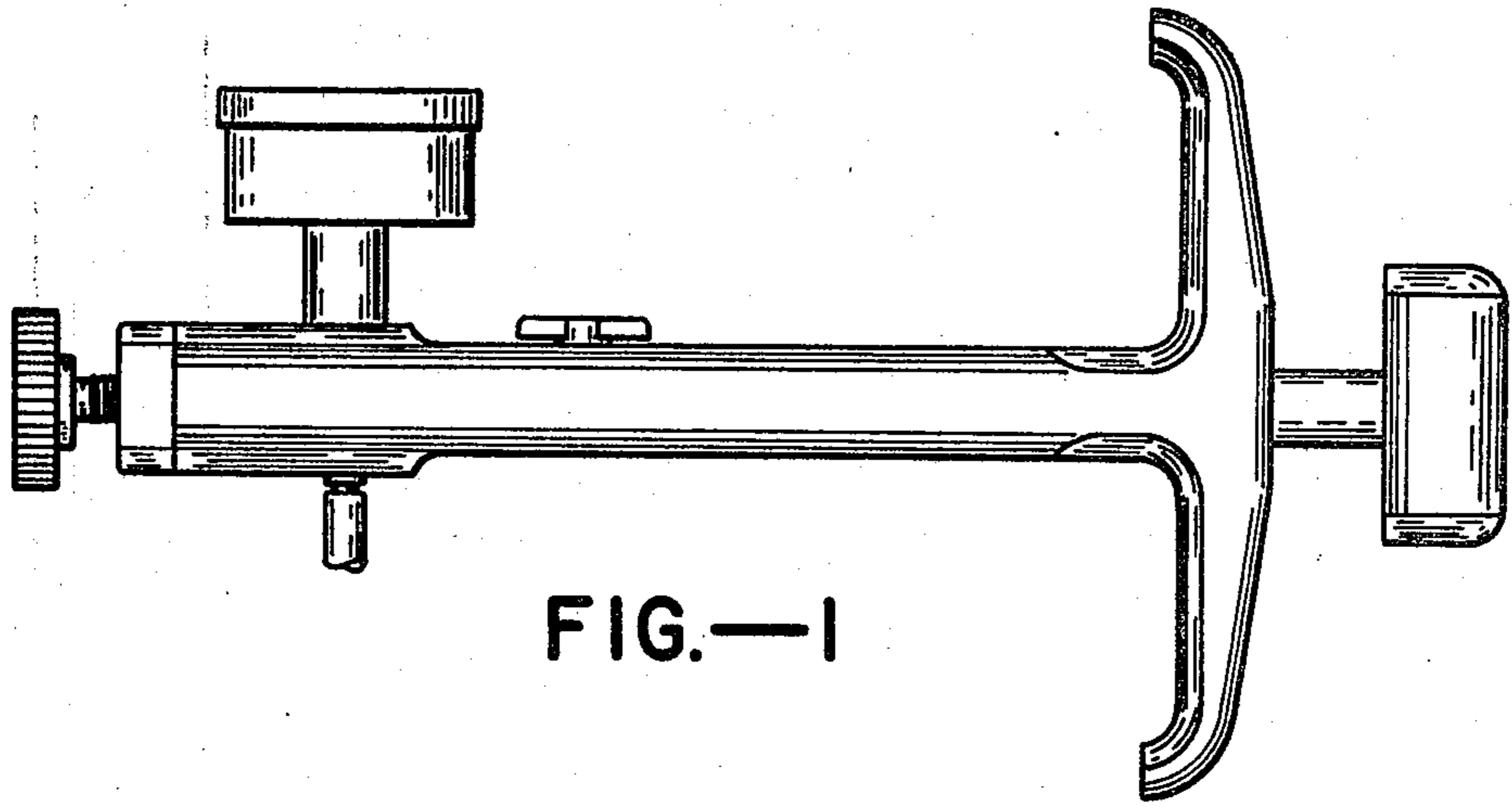


FIG.—1

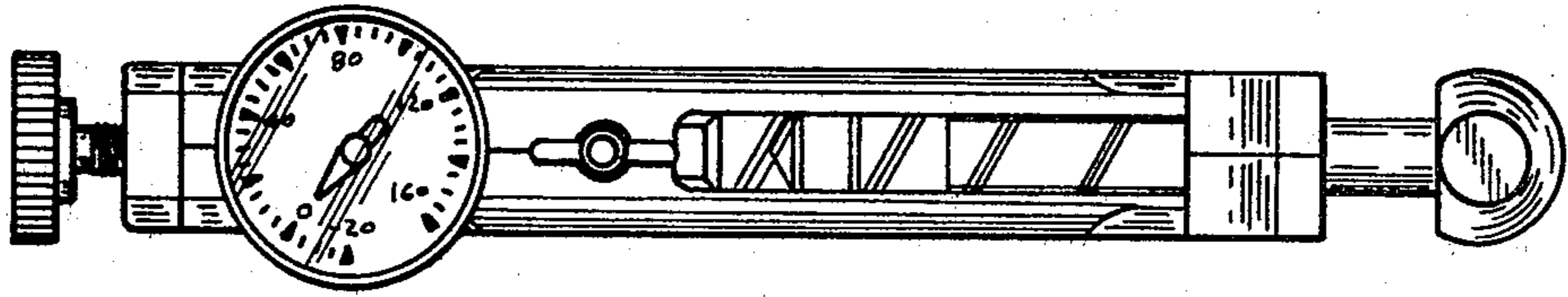


FIG.—2

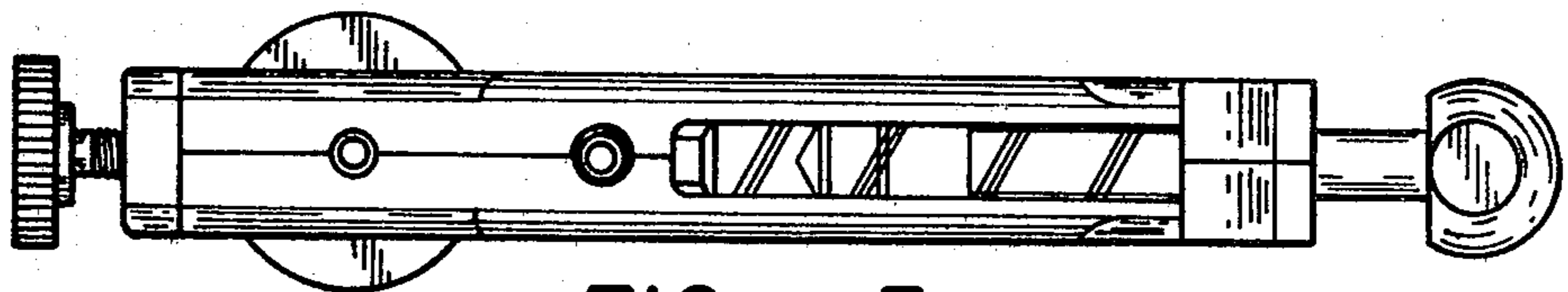


FIG.—3

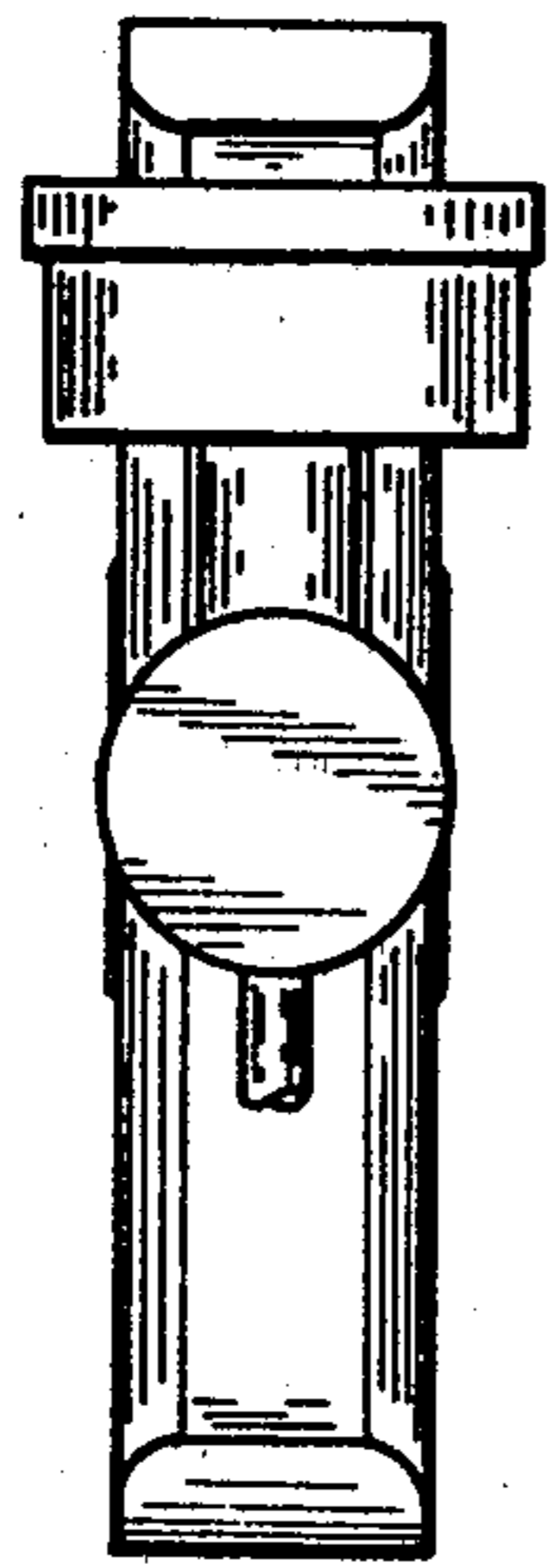


FIG.—4



FIG.—5