

[54] FILTER CARTRIDGE HOUSING

[75] Inventors: William J. Rakocy, Madison; Ronald L. Muller, Old Saybrook, both of Conn.

[73] Assignee: North American Philips Corporation, New York, N.Y.

[**] Term: 14 Years

[21] Appl. No.: 268,447

[22] Filed: May 29, 1981

[52] U.S. Cl. D23/163

[58] Field of Search D23/150-165; 55/503, 505

[56] References Cited

U.S. PATENT DOCUMENTS

D. 218,310	8/1970	Rosenberg	D23/149
D. 244,538	5/1977	Wharton et al.	D23/149
D. 269,294	6/1983	Rakocy	D23/163
1,499,864	7/1924	Gordon	D23/149 X
2,701,030	2/1955	Hazelton	55/503 X
2,703,153	3/1955	Revoir, Jr. et al.	55/503 X
3,772,828	11/1973	Klugman	55/503

OTHER PUBLICATIONS

Nylon Filter Corp. brochure, p. 6, items Nos. 132 & 133, p. 7, items Nos. 139 & 142.

Primary Examiner—James R. Largen
Attorney, Agent, or Firm—Rolf E. Schneider

[57] CLAIM

The ornamental design for a filter cartridge housing, as shown and described.

DESCRIPTION

FIG. 1 is a top plan view of a filter cartridge housing showing our new design;
 FIG. 2 is a front elevational view thereof, the rear being a mirror image of the front shown;
 FIG. 3 is a bottom plan view thereof;
 FIG. 4 is a cross-sectional view taken on line 4—4 of FIG. 3;
 FIG. 5 is a top plan view of a modified form of the filter cartridge housing shown in FIG. 1;
 FIG. 6 is a front elevational view of FIG. 5, the rear being a mirror image of the front shown;
 FIG. 7 is a bottom plan view of FIG. 5; and
 FIG. 8 is a cross-sectional view taken on line 8—8 of FIG. 7.

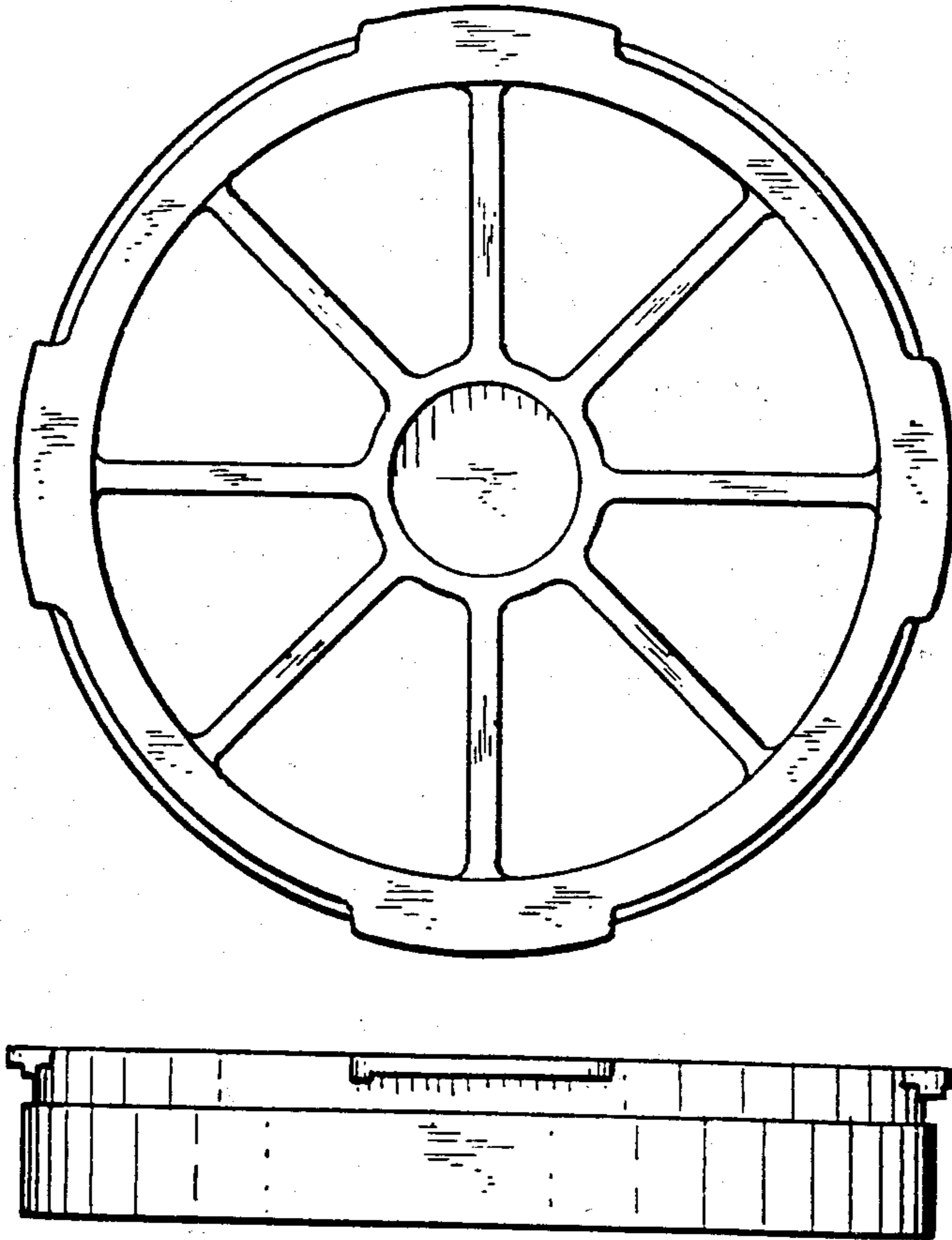


FIG. 1.

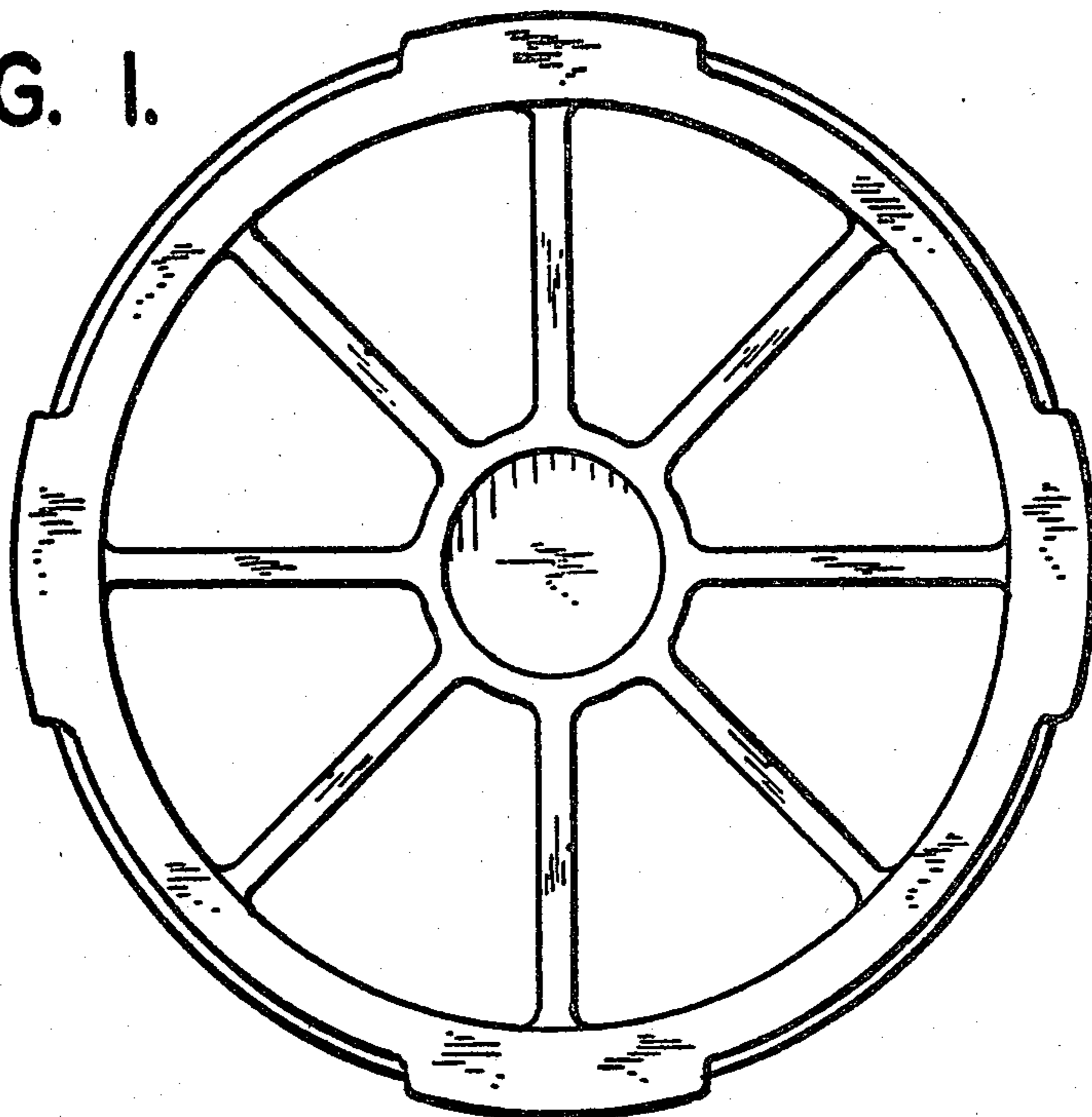


FIG. 2.

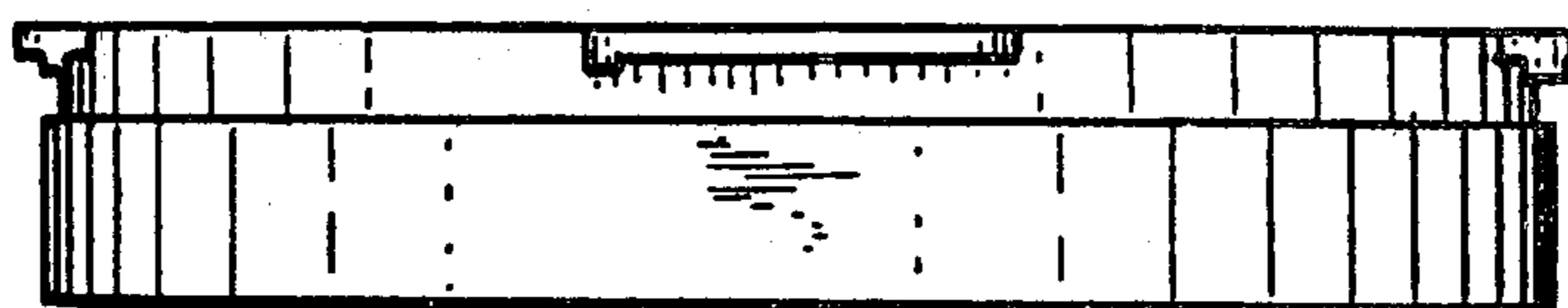


FIG. 3.

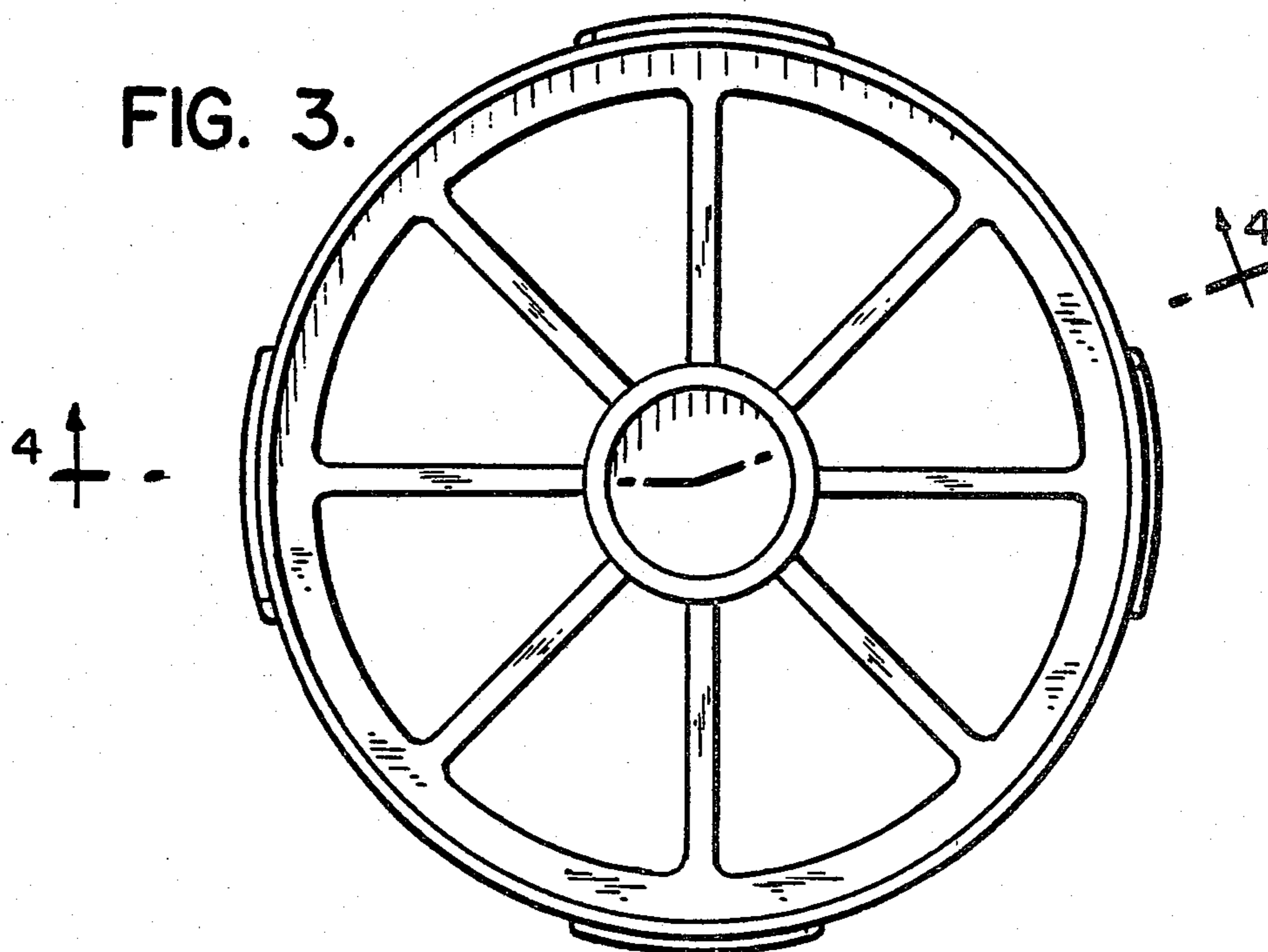


FIG. 4.

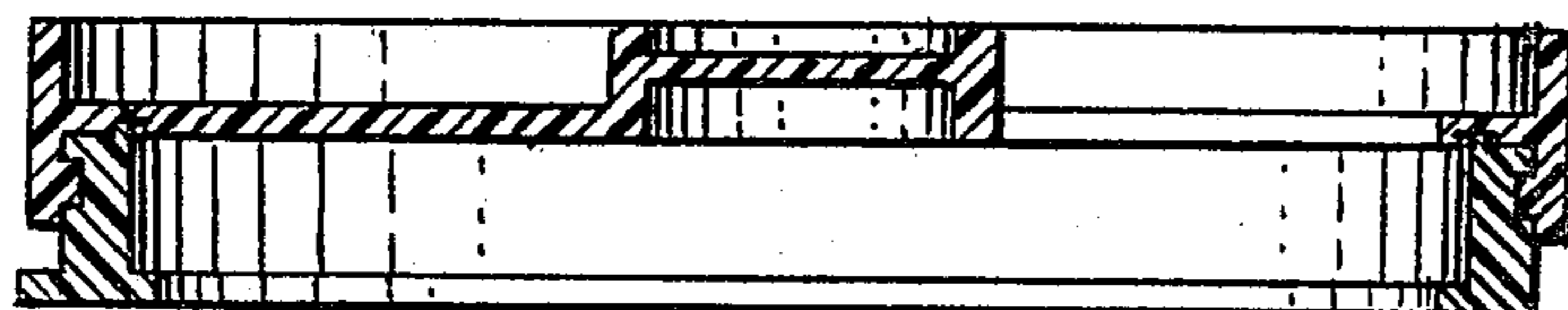


FIG. 5.

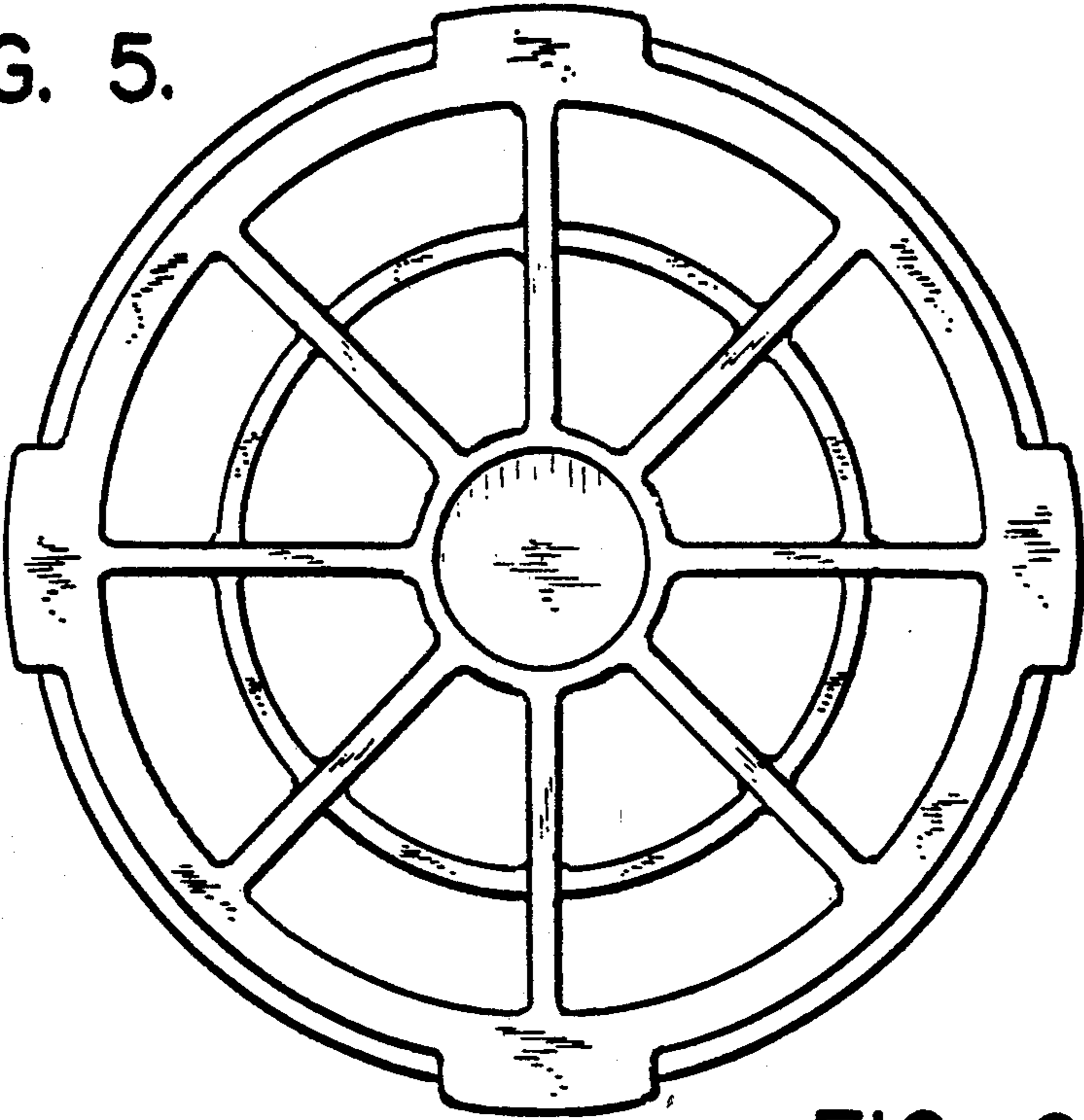


FIG. 6.

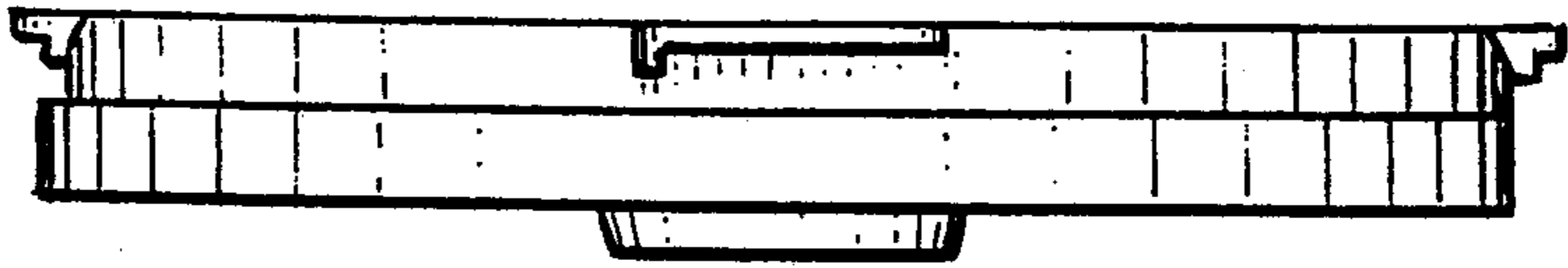


FIG. 7.

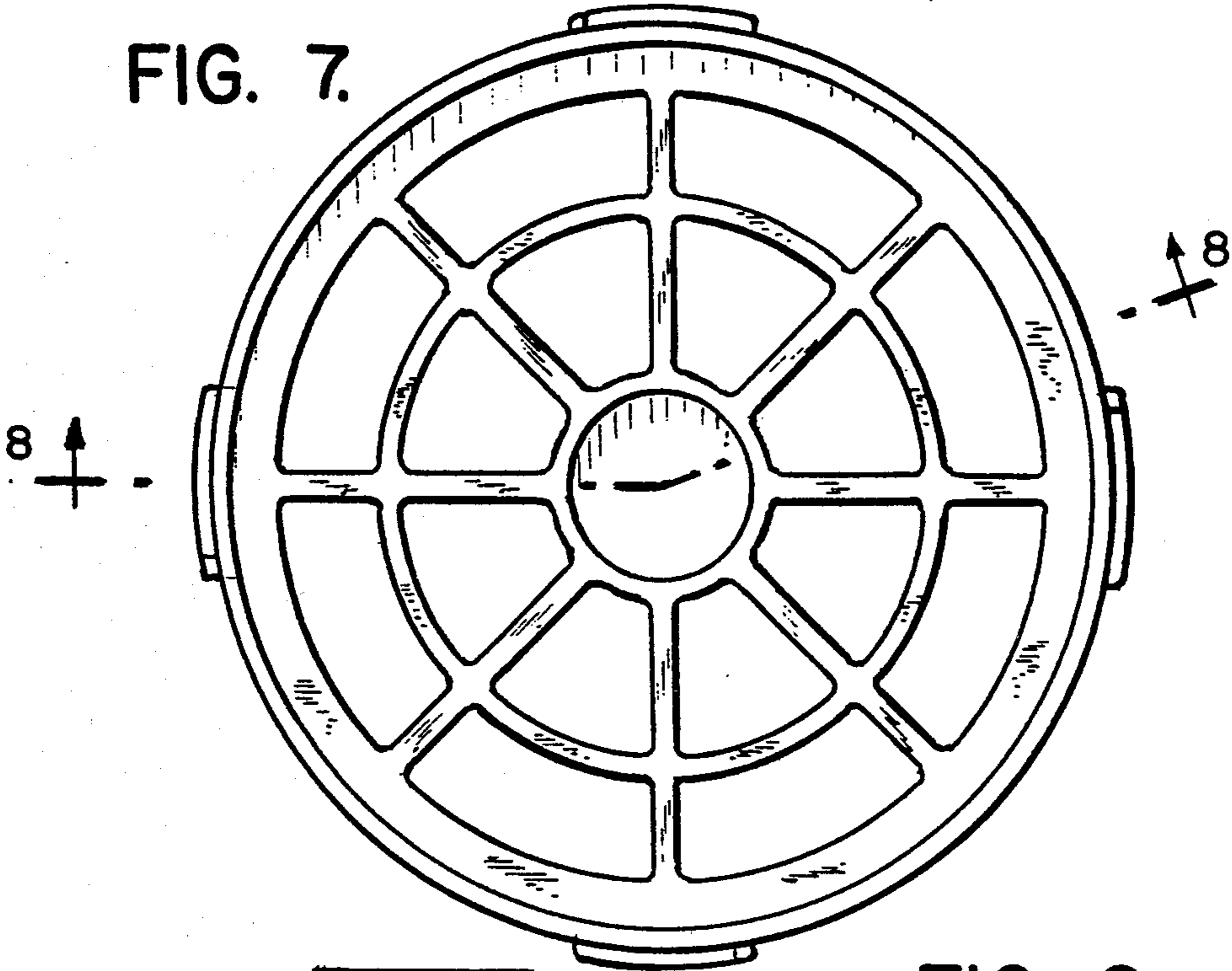


FIG. 8.

