

[54] **BATHTUB**

[75] Inventor: **David A. Robinson, Fillmore, Calif.**

[73] Assignee: **Gruber Systems, Inc., Valencia, Calif.**

[**] Term: **14 Years**

[21] Appl. No.: **362,283**

[22] Filed: **Mar. 26, 1982**

[52] U.S. Cl. **D23/55**

[58] Field of Search **D23/49, 50, 55, 56, D23/57, 69; 4/538, 542-544, 571-579, 584, 589, 590, 592**

- D. 238,072 12/1975 Ganger D23/55
- D. 241,643 9/1976 Bonsack D23/55
- D. 243,693 3/1977 Gruber D23/55
- D. 244,855 6/1977 Doman D23/55
- D. 253,547 11/1979 Beddome et al. D23/55

Primary Examiner—James R. Largen
Attorney, Agent, or Firm—Kendrick, Netter & Bennett

[57] **CLAIM**

The ornamental design for a bathtub, as shown and described.

DESCRIPTION

FIG. 1 is a perspective view of a bathtub, showing my design;

FIG. 2 is a top plan view thereof;

FIG. 3 is a front elevational view thereof;

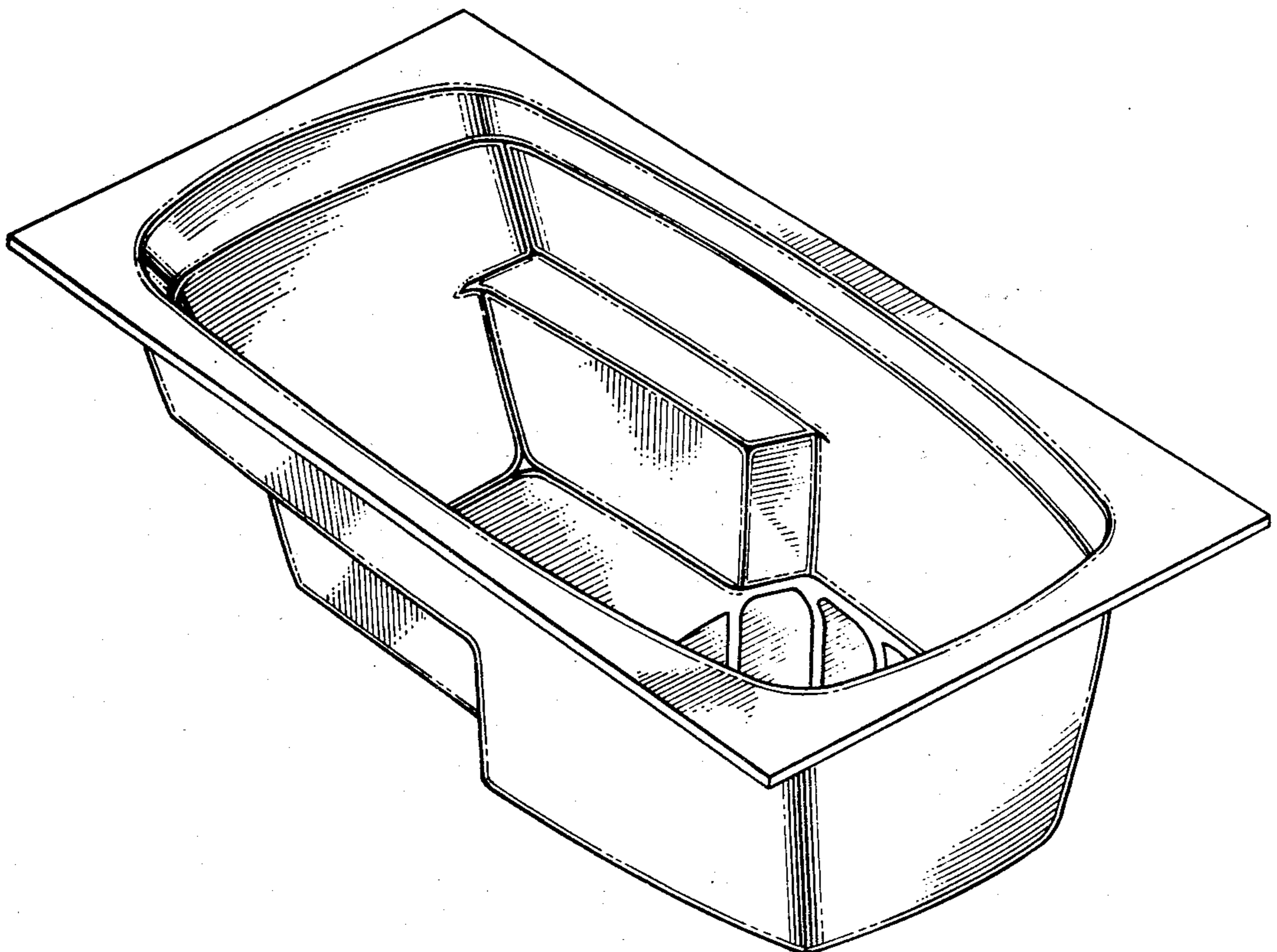
FIG. 4 is a right side elevational view thereof, the left side being a mirror image of the right side shown; and

FIG. 5 is a rear elevational view thereof.

[56] **References Cited**

U.S. PATENT DOCUMENTS

- D. 216,194 12/1969 Benson D23/55
- D. 226,405 2/1973 Jacuzzi D23/55 X
- D. 226,607 4/1973 Lawrence D23/55
- D. 227,101 6/1973 Primault D23/55



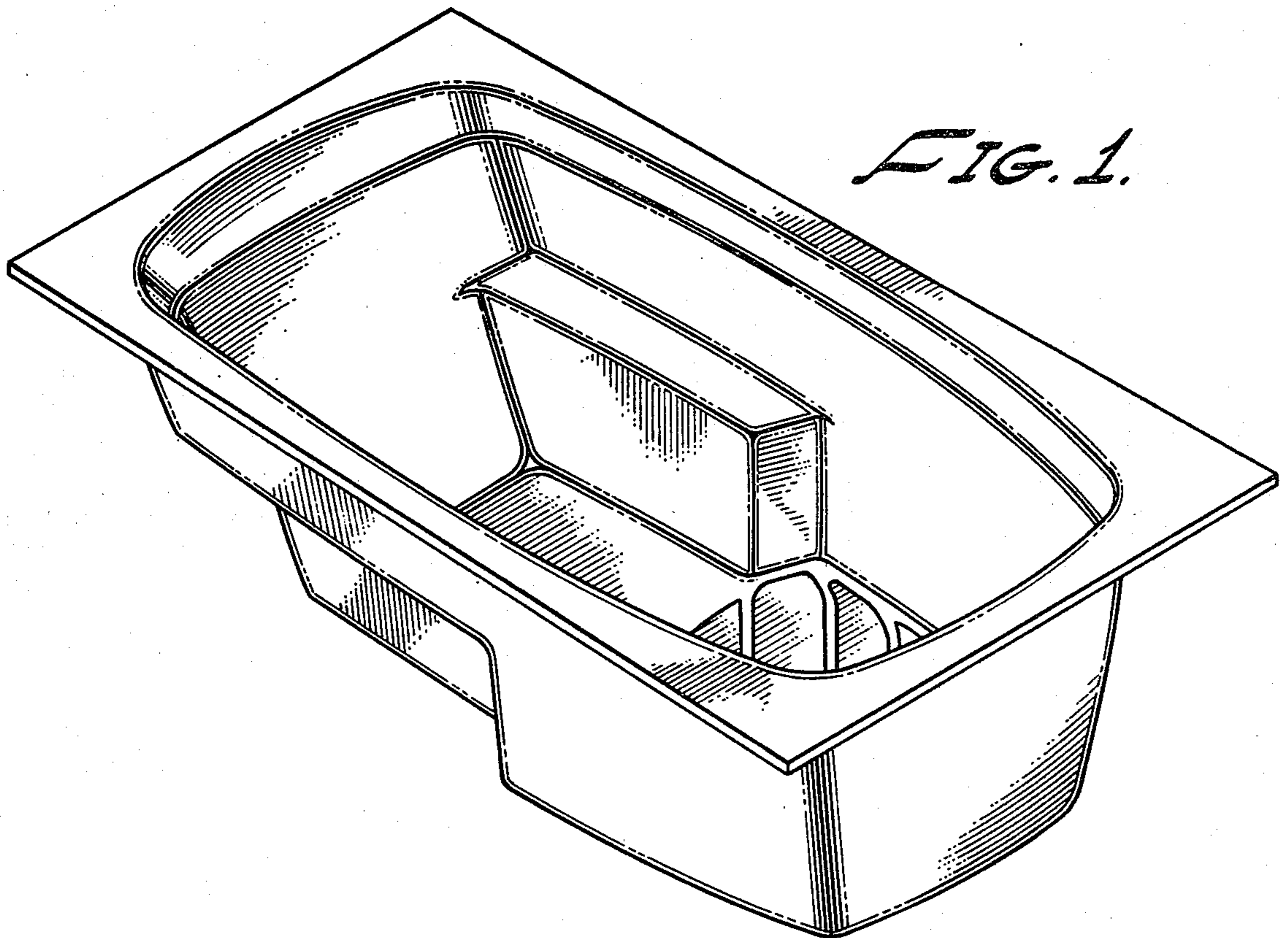
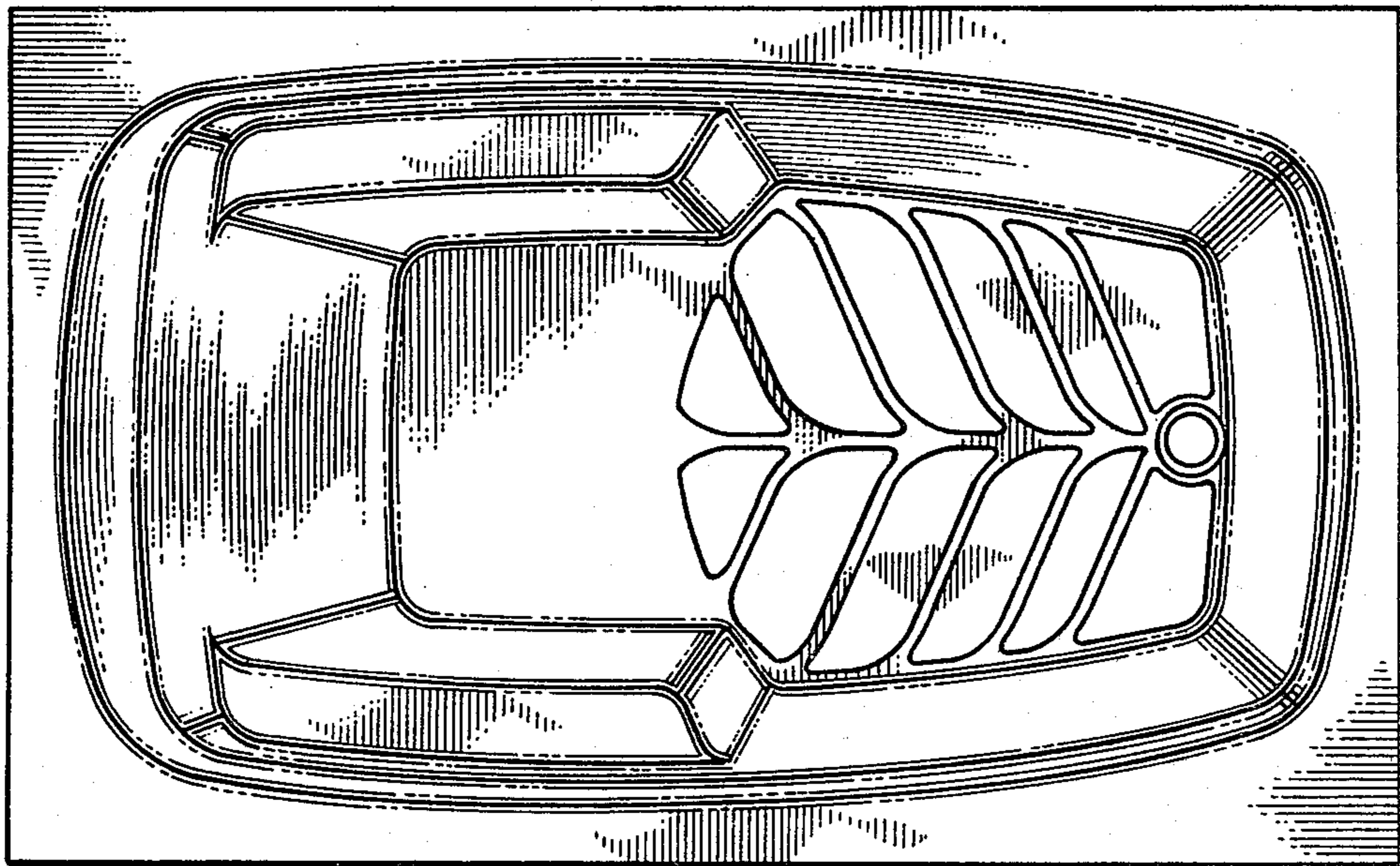


FIG. 2.



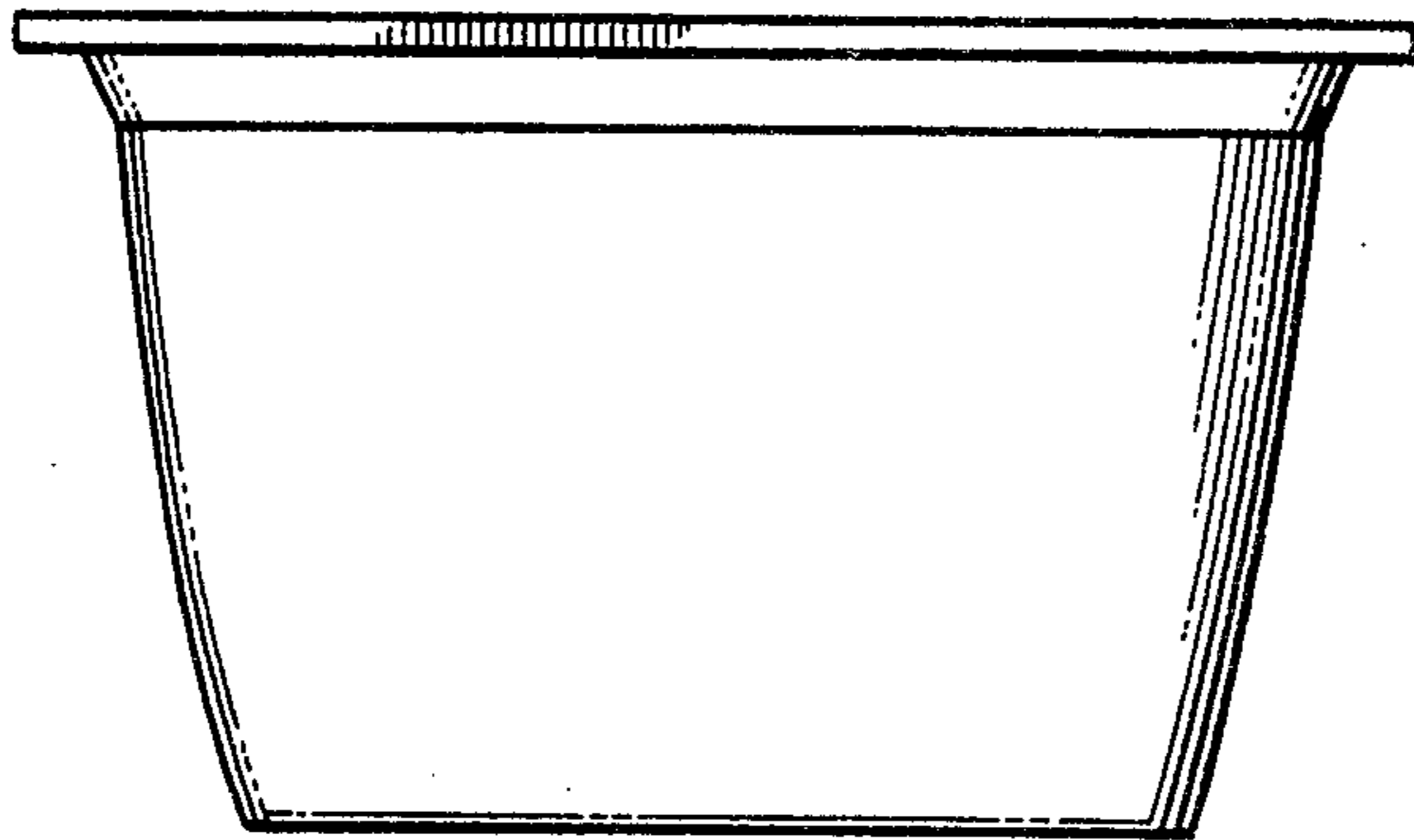


FIG. 3.

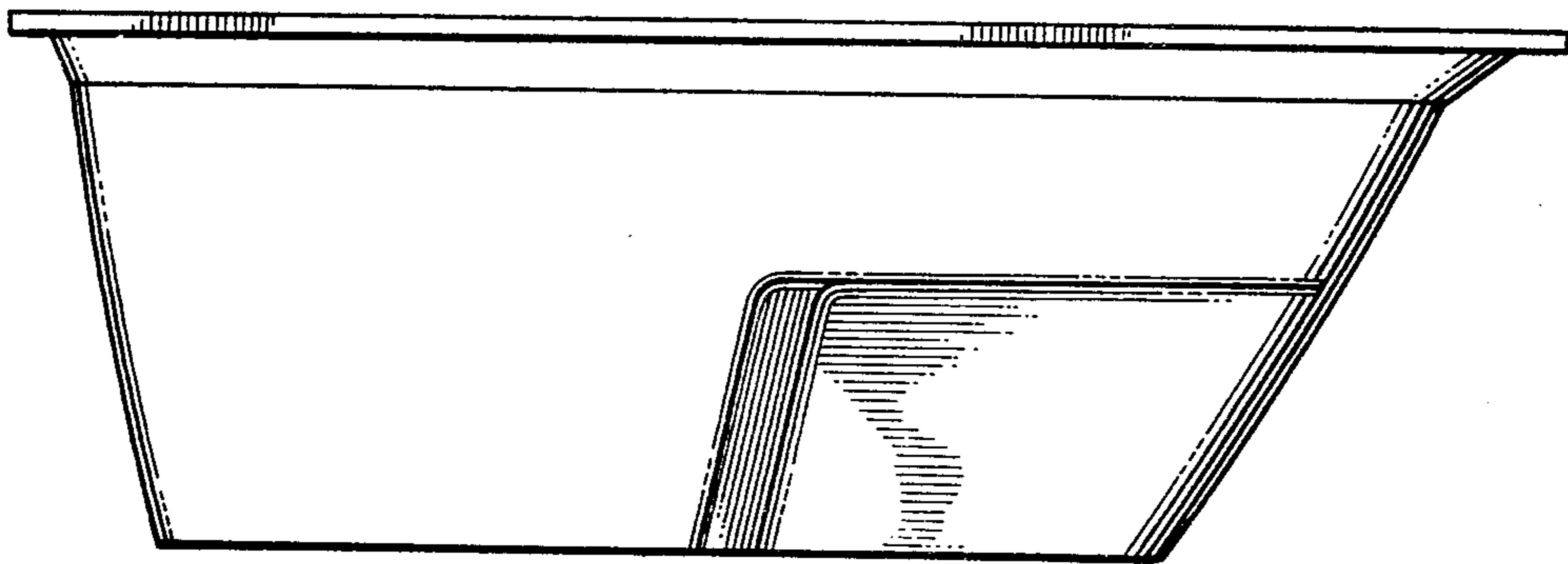


FIG. 4.

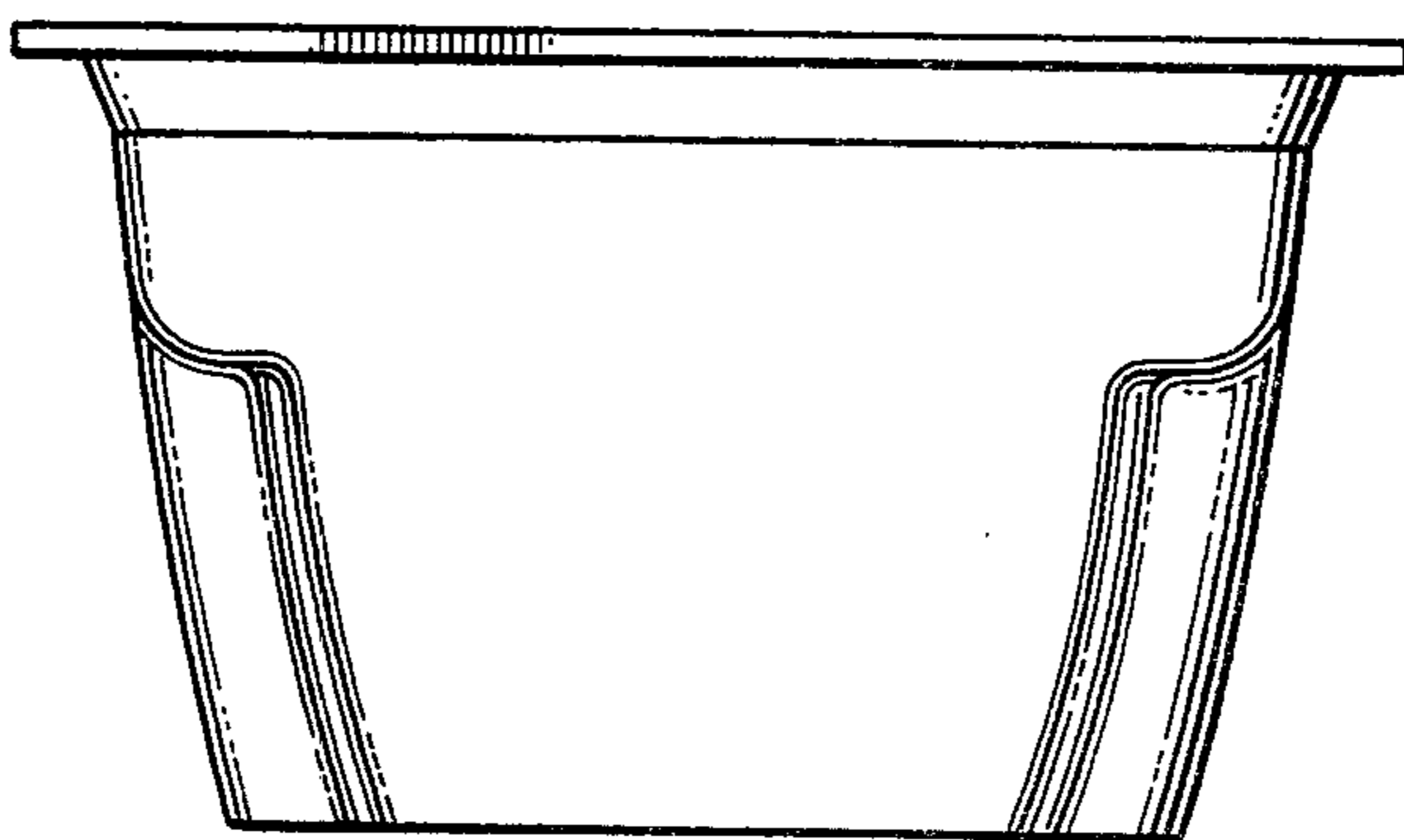


FIG. 5.