

[54] **FEMALE COUPLING AND SEAL UNIT**

[75] **Inventor:** Jerry R. Hayes, Peoria, Ill.

[73] **Assignee:** L. R. Nelson Corp., Peoria, Ill.

[\*\*] **Term:** 14 Years

[21] **Appl. No.:** 307,958

[22] **Filed:** Oct. 2, 1981

[52] **U.S. Cl.** ..... D23/43

[58] **Field of Search** ..... D23/40, 43, 44; 285/38,  
285/360, 361, 376; D8/397

[56] **References Cited**

**U.S. PATENT DOCUMENTS**

977,472 12/1910 Pilkinoton ..... 285/360  
2,324,792 7/1943 Meyer ..... 285/38

3,279,828 10/1966 MacFarland ..... 285/361

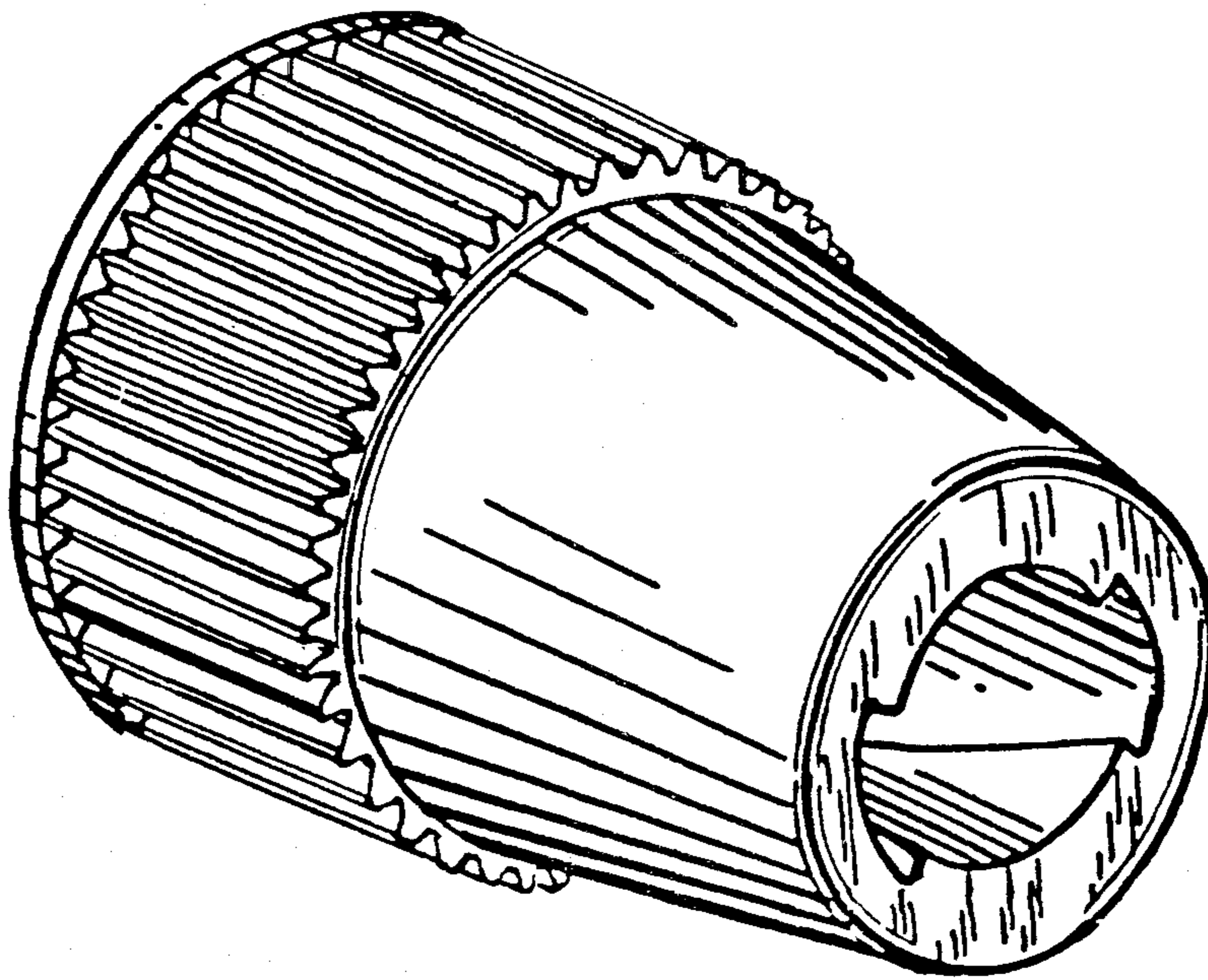
*Primary Examiner*—Wallace R. Burke  
*Assistant Examiner*—Suzanne N. Gitlin  
*Attorney, Agent, or Firm*—Cushman, Darby & Cushman

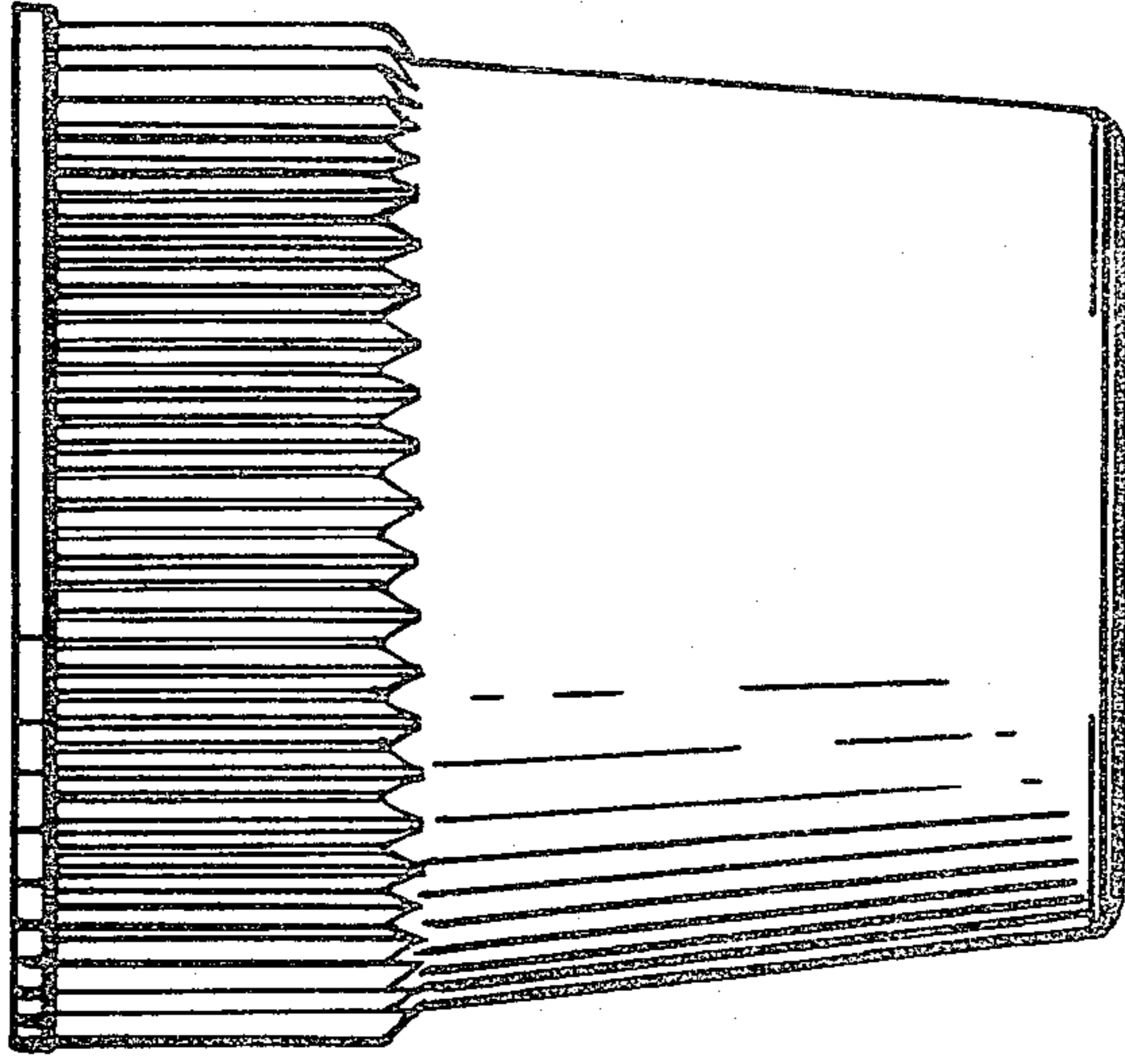
[57] **CLAIM**

The ornamental design for a female coupling and seal unit, as shown and described.

**DESCRIPTION**

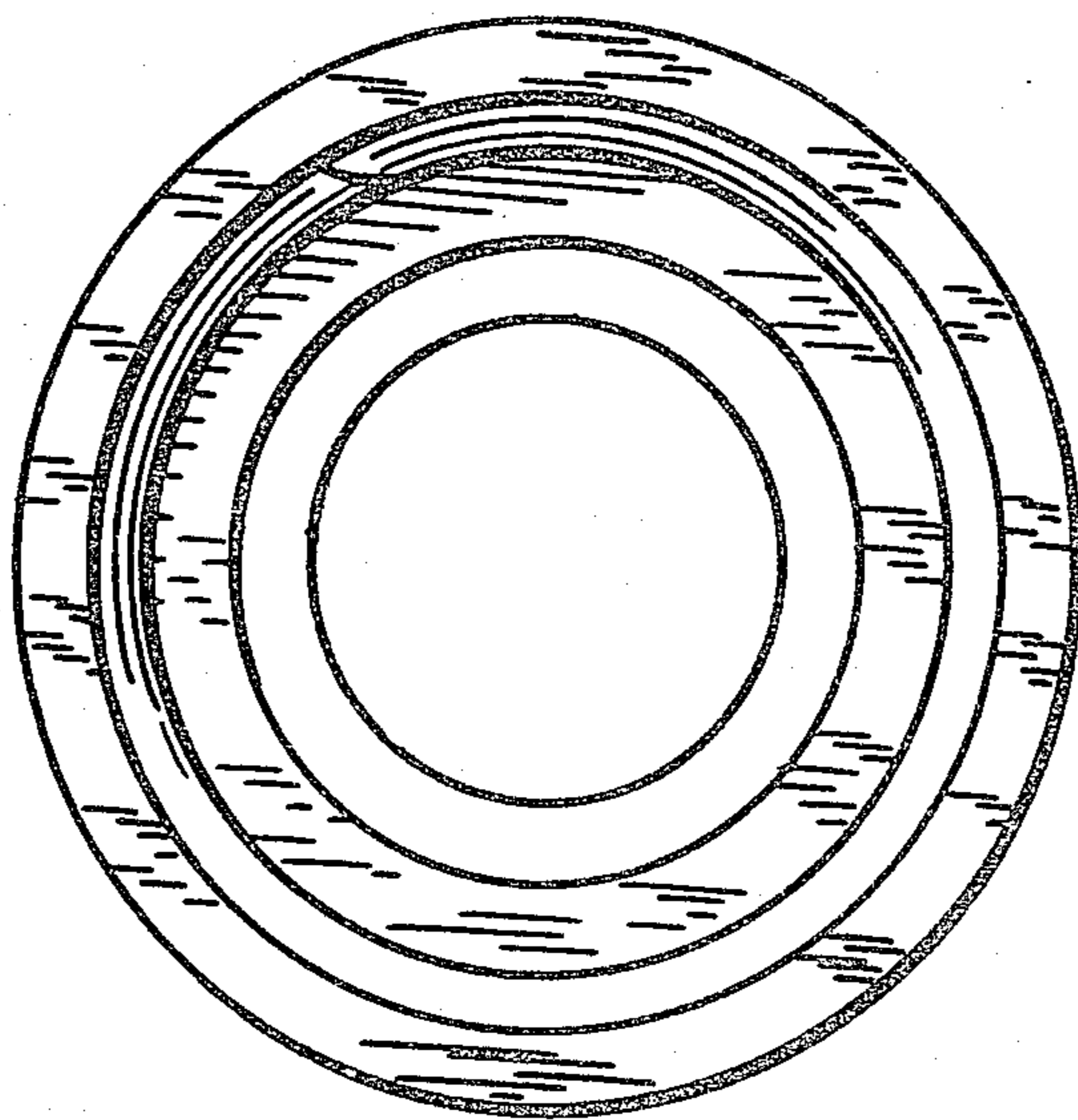
FIG. 1 is a side elevational view of a female coupling member and seal showing my new design;  
FIG. 2 is a side end elevational view taken from the left of FIG. 1; and  
FIG. 3 is a perspective view thereof.  
The side of the female coupling member and seal opposite from that shown in FIG. 1 is the same as that shown in FIG. 1.





*Fig. 1.*

*Fig. 2.*



*Fig. 3.*

