

[54] OUTDOOR CHILD'S PLAY UNIT

[75] Inventor: Richard F. Gordon, Salt Lake City, Utah

[73] Assignee: Sportsplay Creative Enterprises, Inc., Salt Lake City, Utah

[**] Term: 14 Years

[21] Appl. No.: 312,419

[22] Filed: Oct. 19, 1981

[52] U.S. Cl. D21/244

[58] Field of Search D21/242-246, D21/252; 272/85, 56.5, 113

[56] References Cited

U.S. PATENT DOCUMENTS

- D. 251,262 3/1979 Barrett et al. D21/244
- D. 268,693 4/1983 Works D21/244

OTHER PUBLICATIONS

Popular Mechanics, Jun. 1981, p. 131, Play Set.
Child's Life Play Specialties Cat. No. 21, 1979, p. 9,
Playhouse Gym.

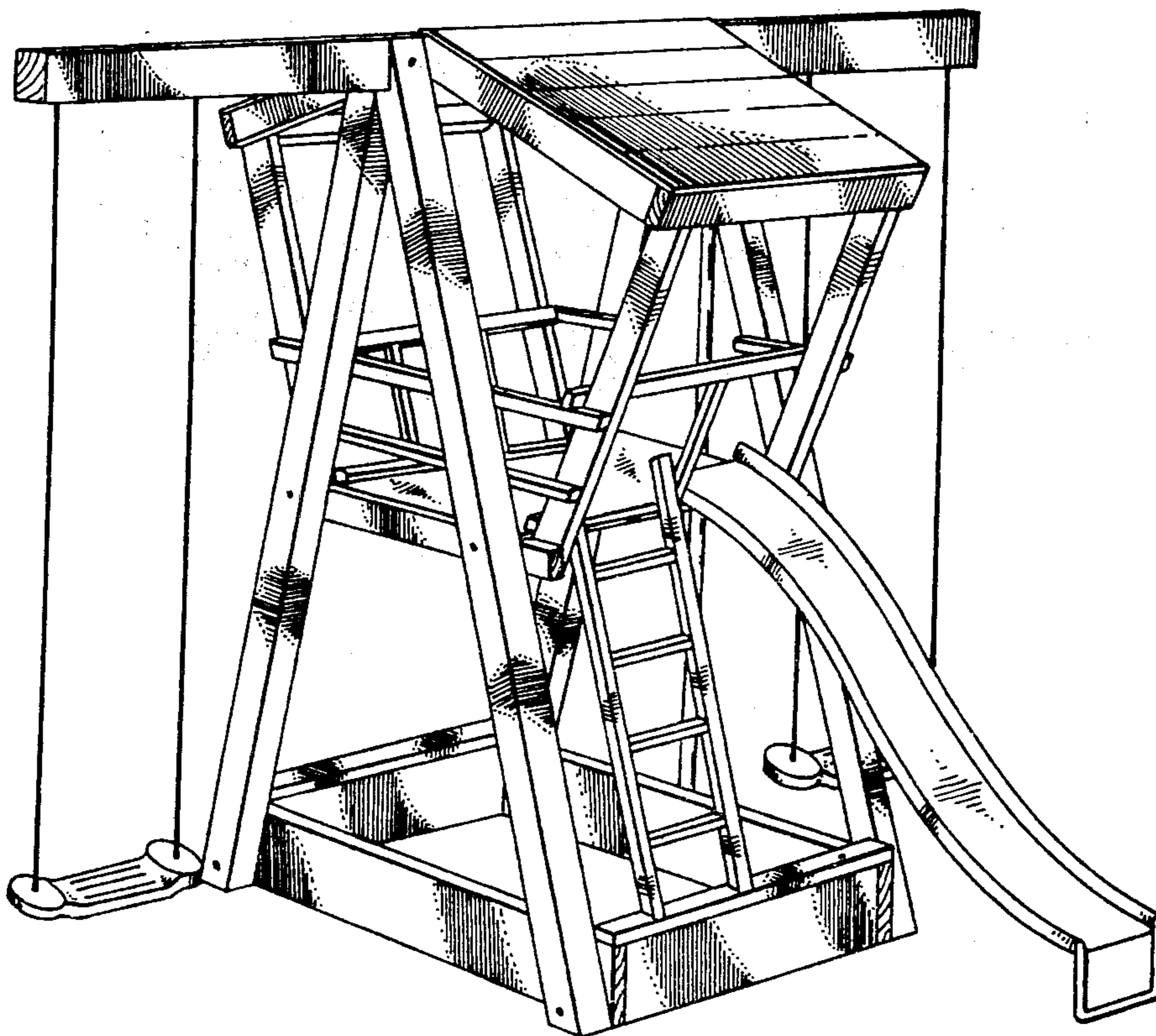
Primary Examiner—Melvin B. Feifer
Attorney, Agent, or Firm—Thorpe, North & Western

[57] CLAIM

The ornamental design for an outdoor child's play unit, substantially as shown.

DESCRIPTION

FIG. 1 is a front perspective view of an outdoor child's play unit showing my new design;
 FIG. 2 is a front view of the design;
 FIG. 3 is a back view of the design;
 FIG. 4 is a left side view of the design as shown in FIG. 1;
 FIG. 5 is a right side view of the design as shown in FIG. 1;
 FIG. 6 is a top view of the design; and
 FIG. 7 is a bottom view of the design.



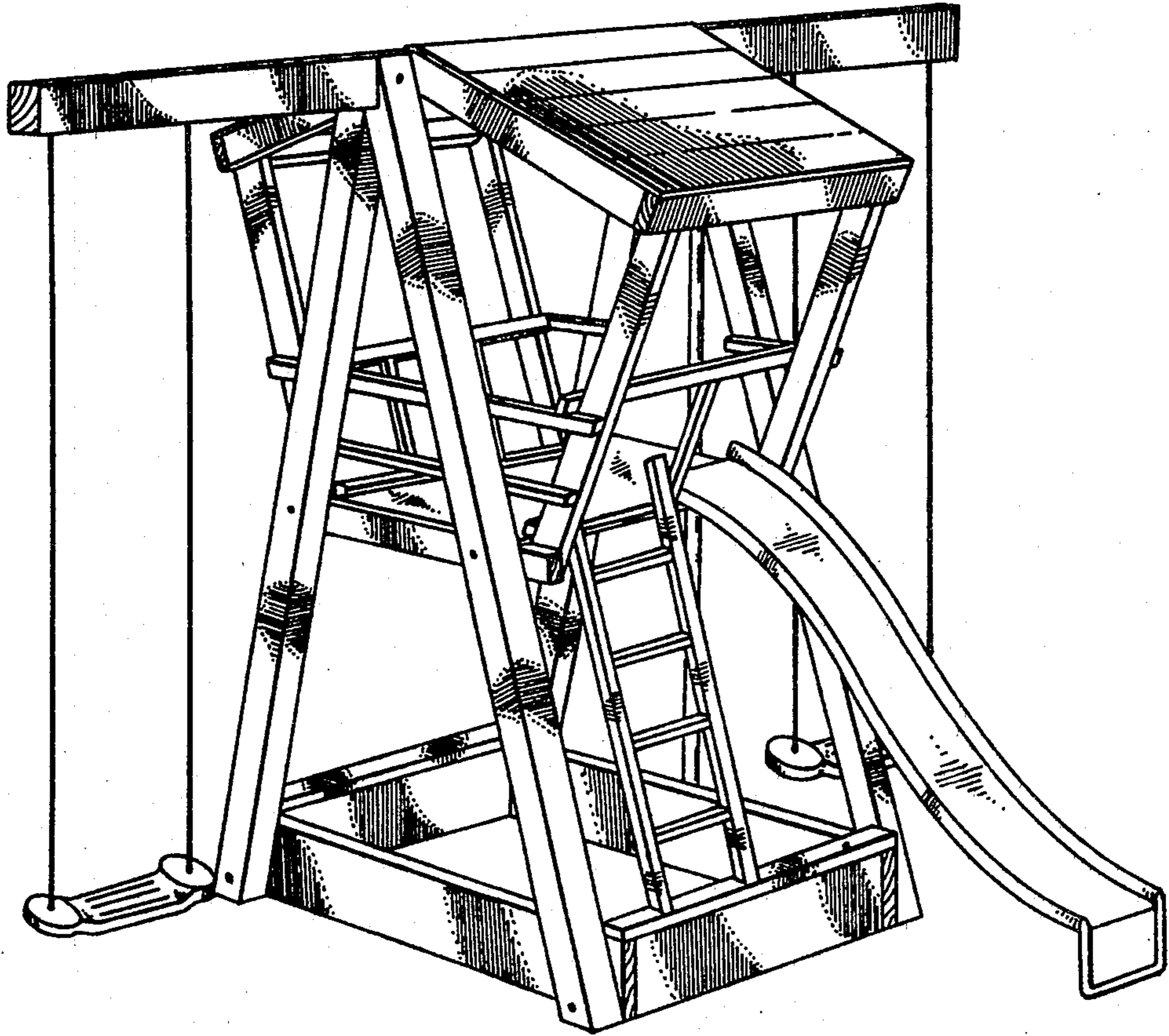


Fig. 1

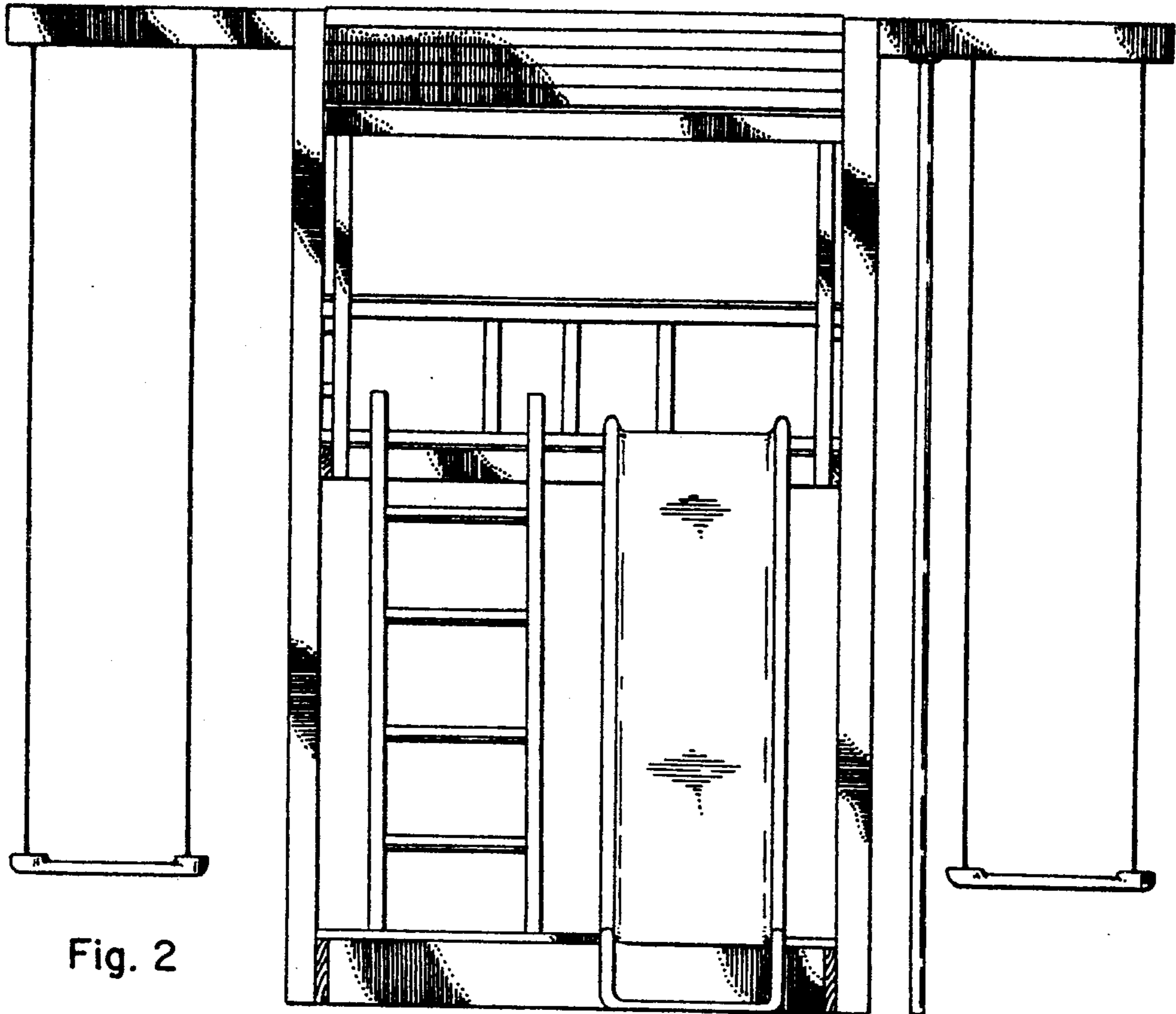


Fig. 2

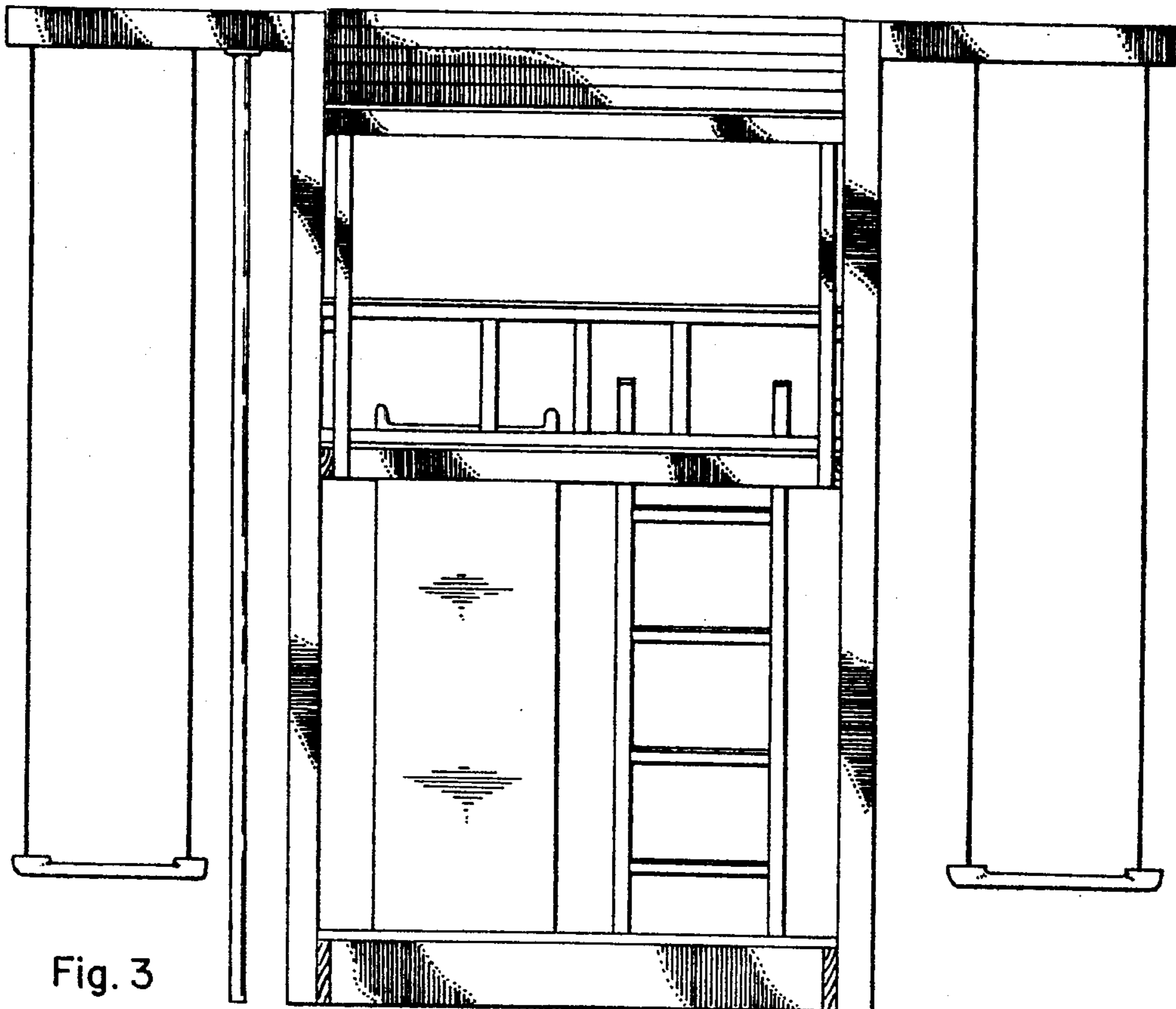


Fig. 3

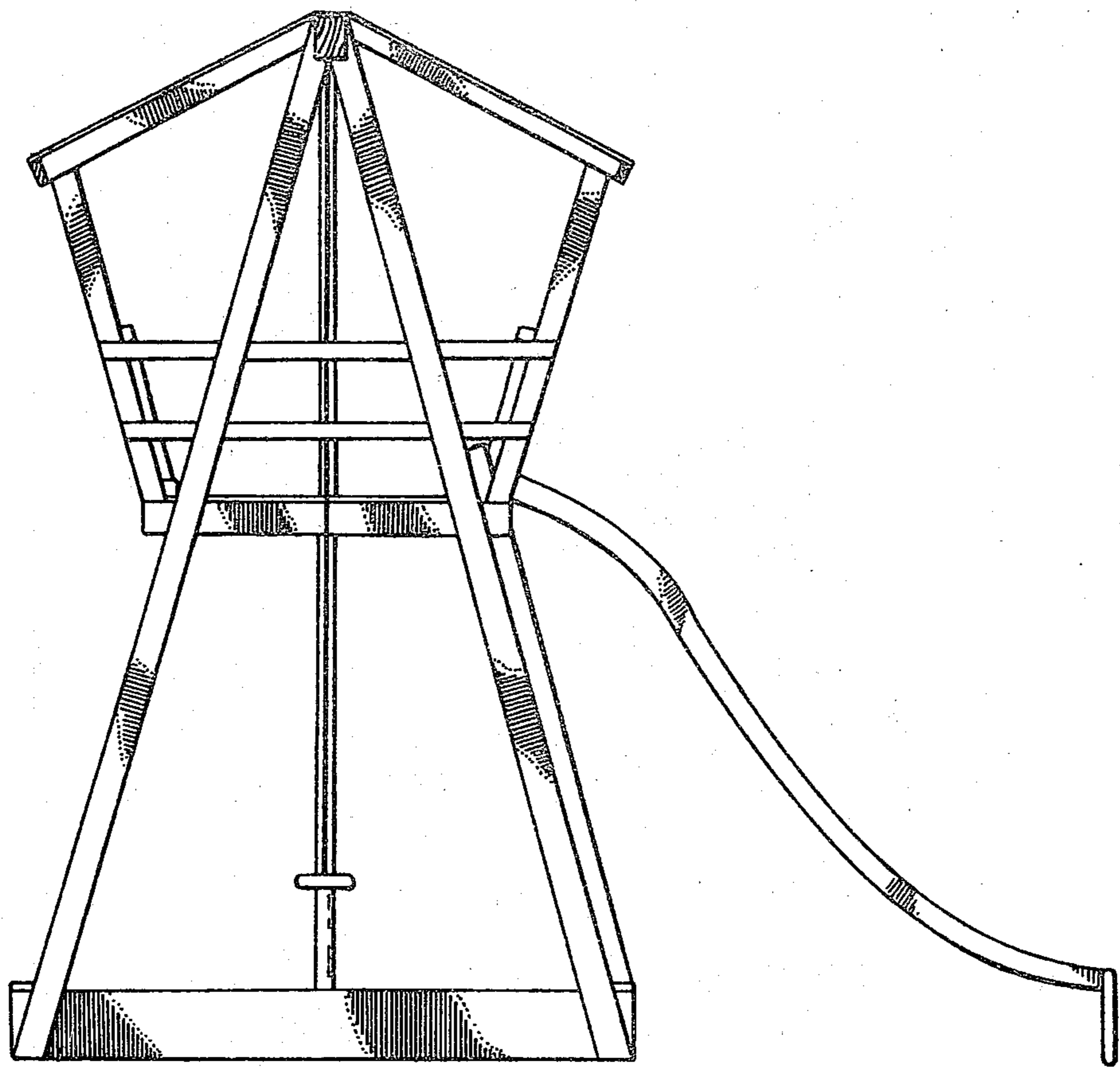


Fig. 4

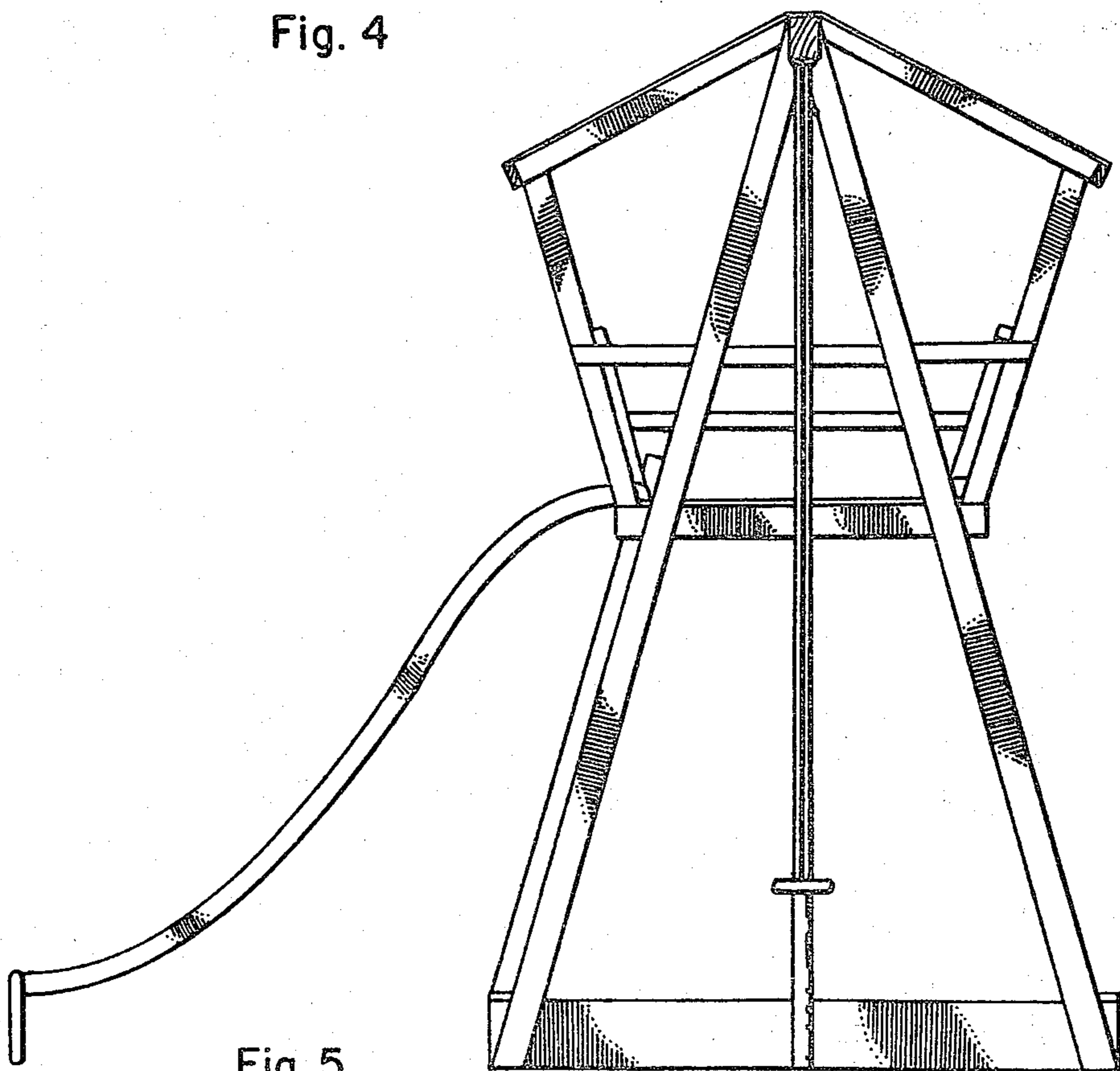


Fig. 5

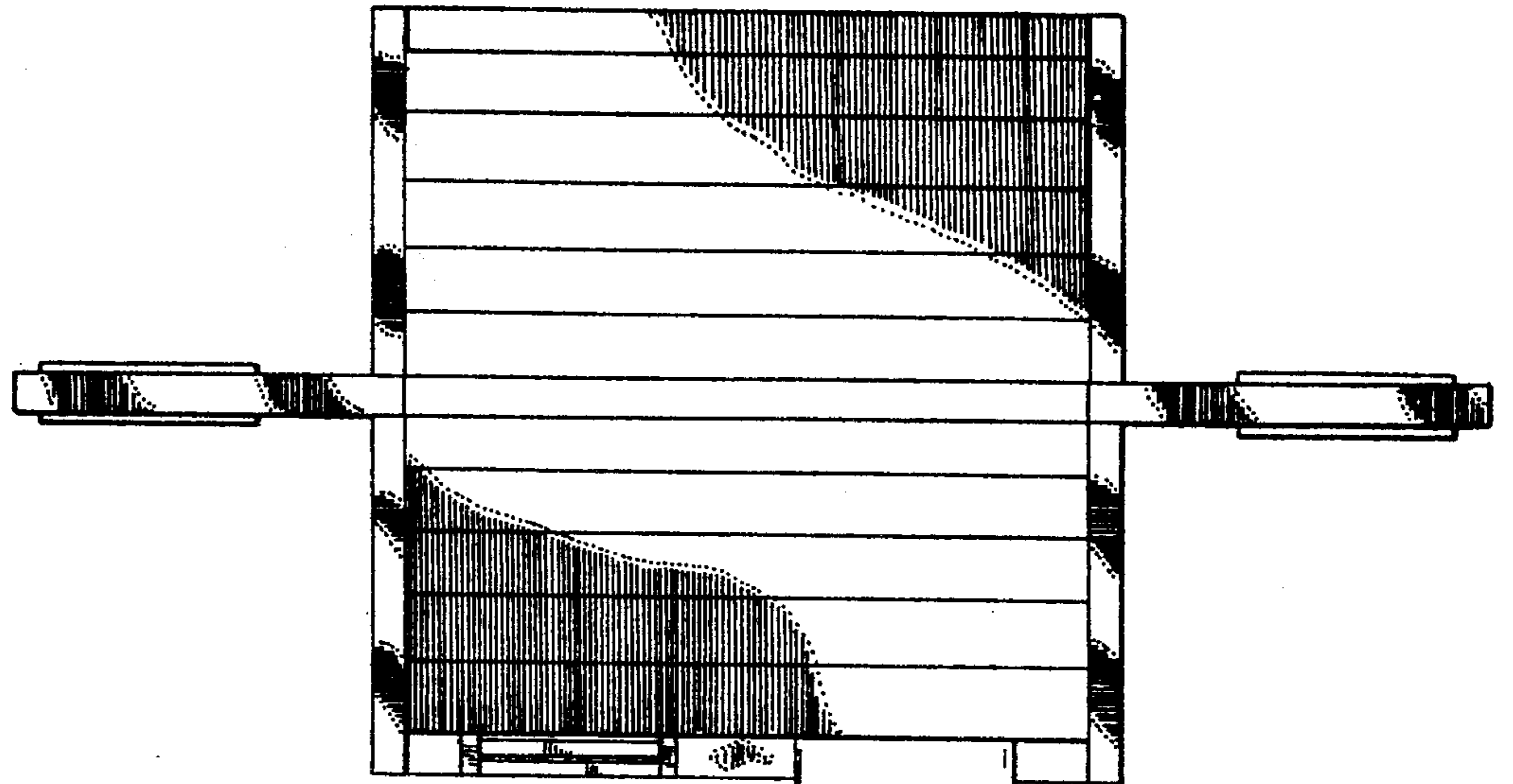


Fig. 6

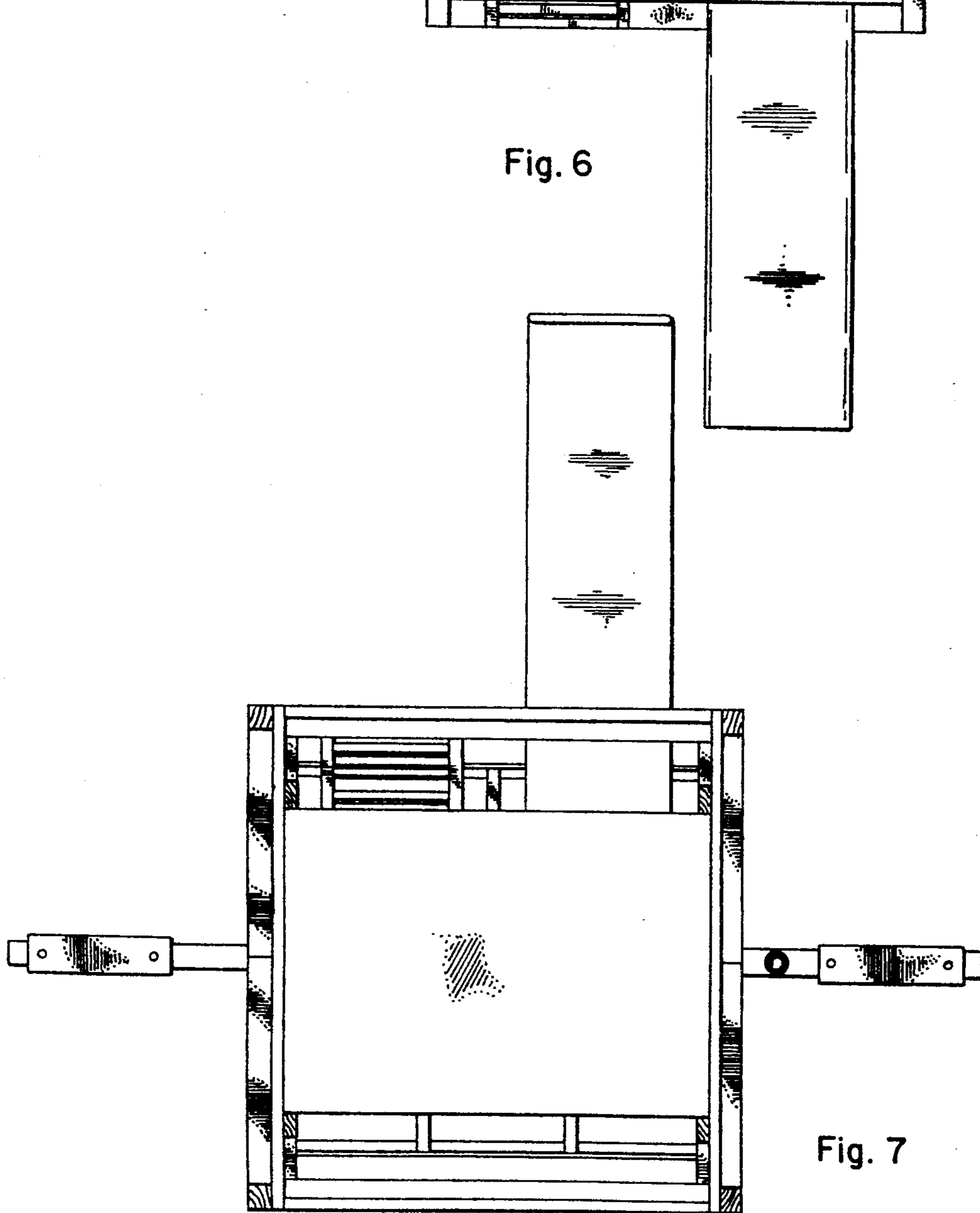


Fig. 7