

[54] TOY CAR DASHBOARD

[75] Inventors: Mel Appel, Nine Nottingham Rd., Livingston, N.J. 07039; George Kress, Scotch Plains, N.J.

[73] Assignee: Mel Appel, Livingston, N.J.

[**] Term: 14 Years

[21] Appl. No.: 380,545

[22] Filed: May 21, 1982

[52] U.S. Cl. D21/142

[58] Field of Search 46/1 B, 228; D21/59, D21/73, 76, 78, 128, 142; D12/174, 175, 213; D19/59, 62, 63

[56] References Cited

U.S. PATENT DOCUMENTS

D. 220,636	5/1971	Stubbmann	D21/142
D. 257,780	1/1981	Strauss	D21/142
4,167,822	9/1979	Weir et al.	46/1 B

OTHER PUBLICATIONS

Playthings, 3/64, p. 299, "Busy Driver" Toy at top of page.

Sears, 1979 Wish Book, p. 589, item #10, "Sit 'n Drive".

Primary Examiner—Charles A. Rademaker
Attorney, Agent, or Firm—Lerner, David, Littenberg, Krumholz & Mentlik

[57] CLAIM

The design for a toy car dashboard, substantially as shown and described.

DESCRIPTION

FIG. 1 is a top perspective view of a toy car dashboard showing our new design;
FIG. 2 is a right side elevational view thereof;
FIG. 3 is a left side elevational view thereof;
FIG. 4 is a front elevational view thereof;
FIG. 5 is a rear elevational view thereof;
FIG. 6 is a top plan view thereof; and
FIG. 7 is a bottom plan view thereof.

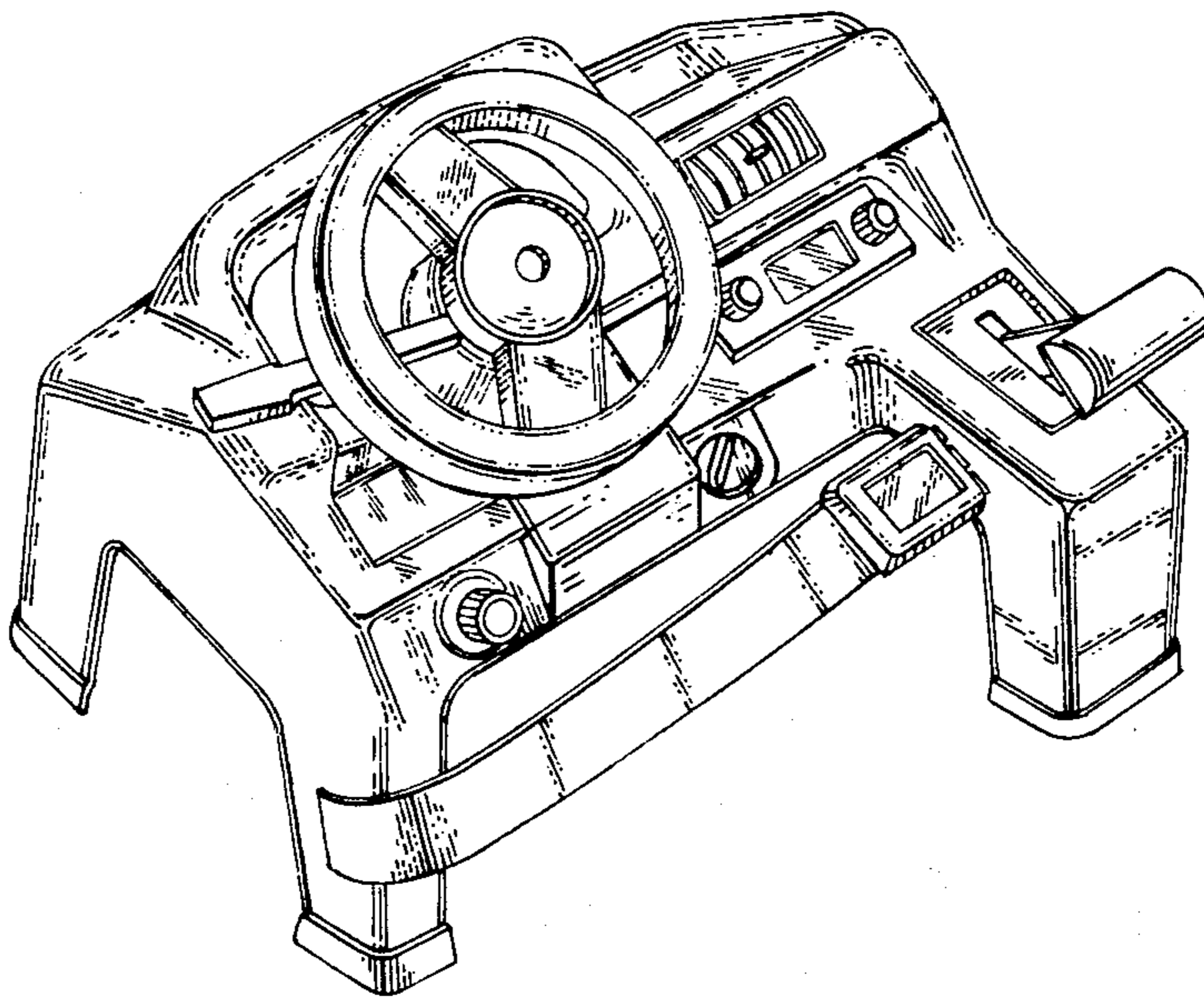


FIG. 1

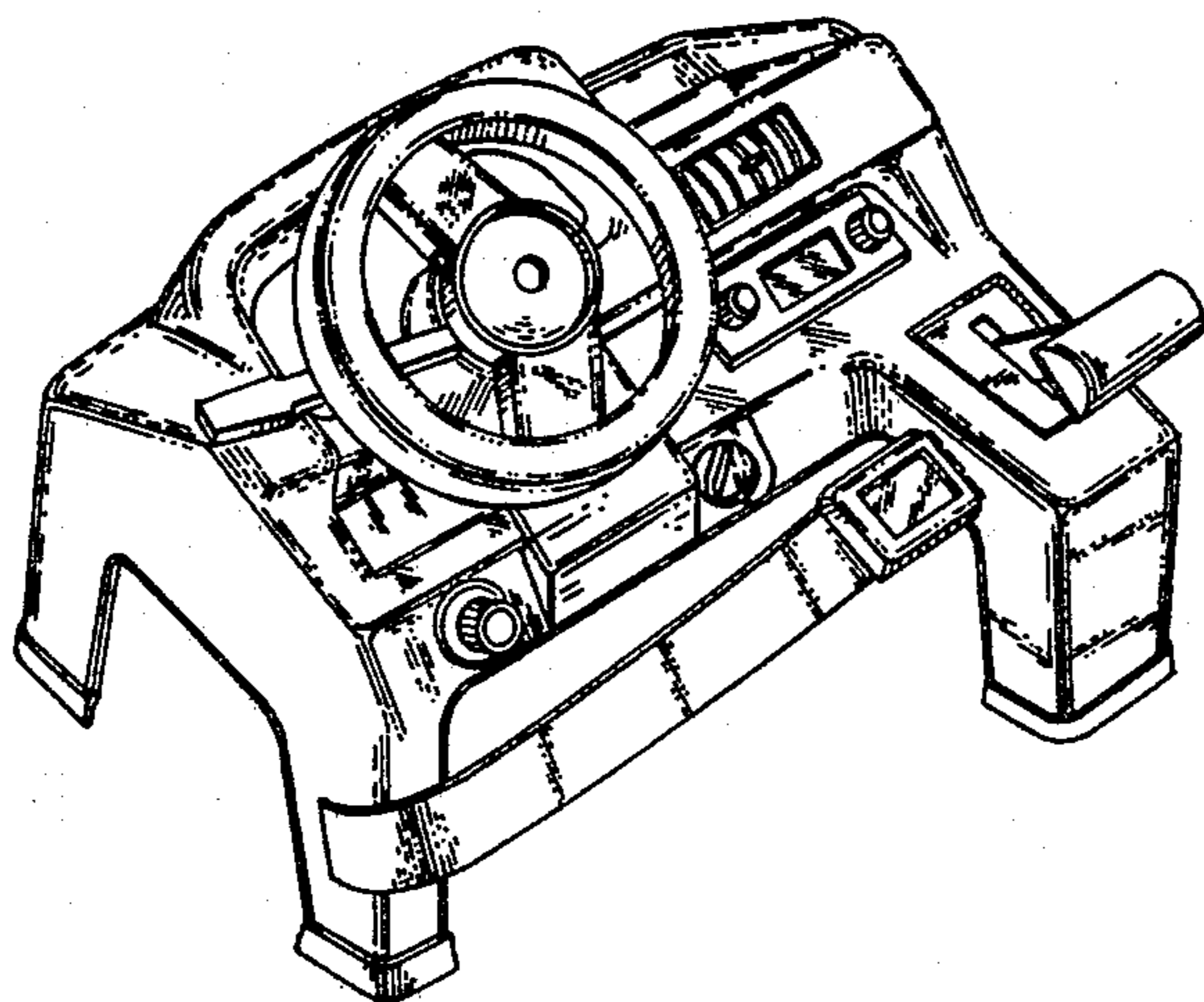


FIG. 3

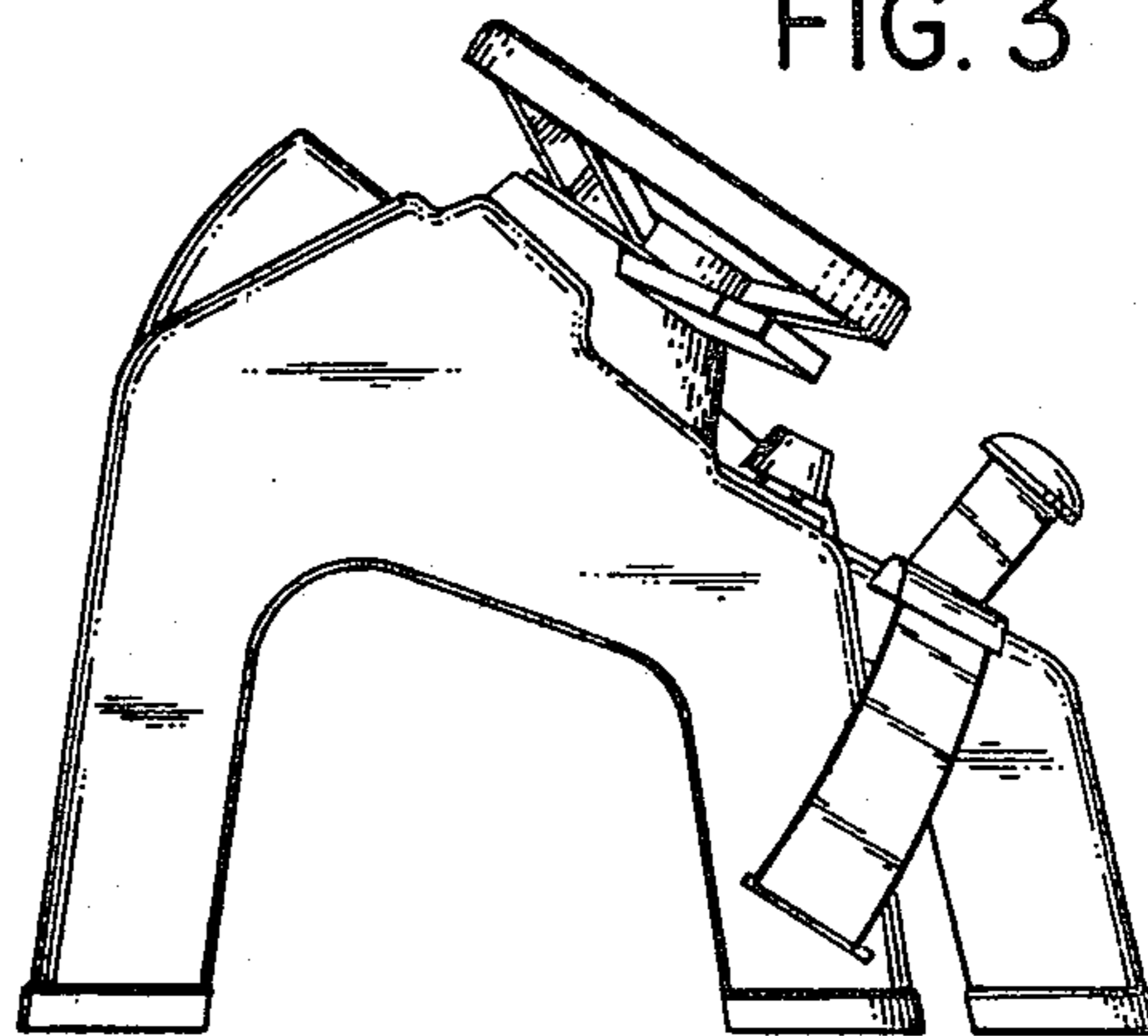


FIG. 2

