

- [54] VACUUM CLEANER ACTION TOY
- [75] Inventors: James K. McIntosh, Somerset;
Robert L. Witkin, Morganville, both
of N.J.
- [73] Assignee: Carolina Enterprises, Inc., New
York, N.Y.
- [**] Term: 14 Years
- [21] Appl. No.: 346,260
- [22] Filed: Feb. 5, 1982
- [52] U.S. Cl. D21/122
- [58] Field of Search D21/122, 59; D32/22;
46/14, 39

- D. 166,140 3/1952 Atkins D21/122
- D. 201,814 8/1965 Rockwell D21/122
- D. 211,282 6/1968 Schaefer et al. D32/22

Primary Examiner—Melvin B. Feifer
 Attorney, Agent, or Firm—Kirschstein, Kirschstein,
 Ottinger & Israel

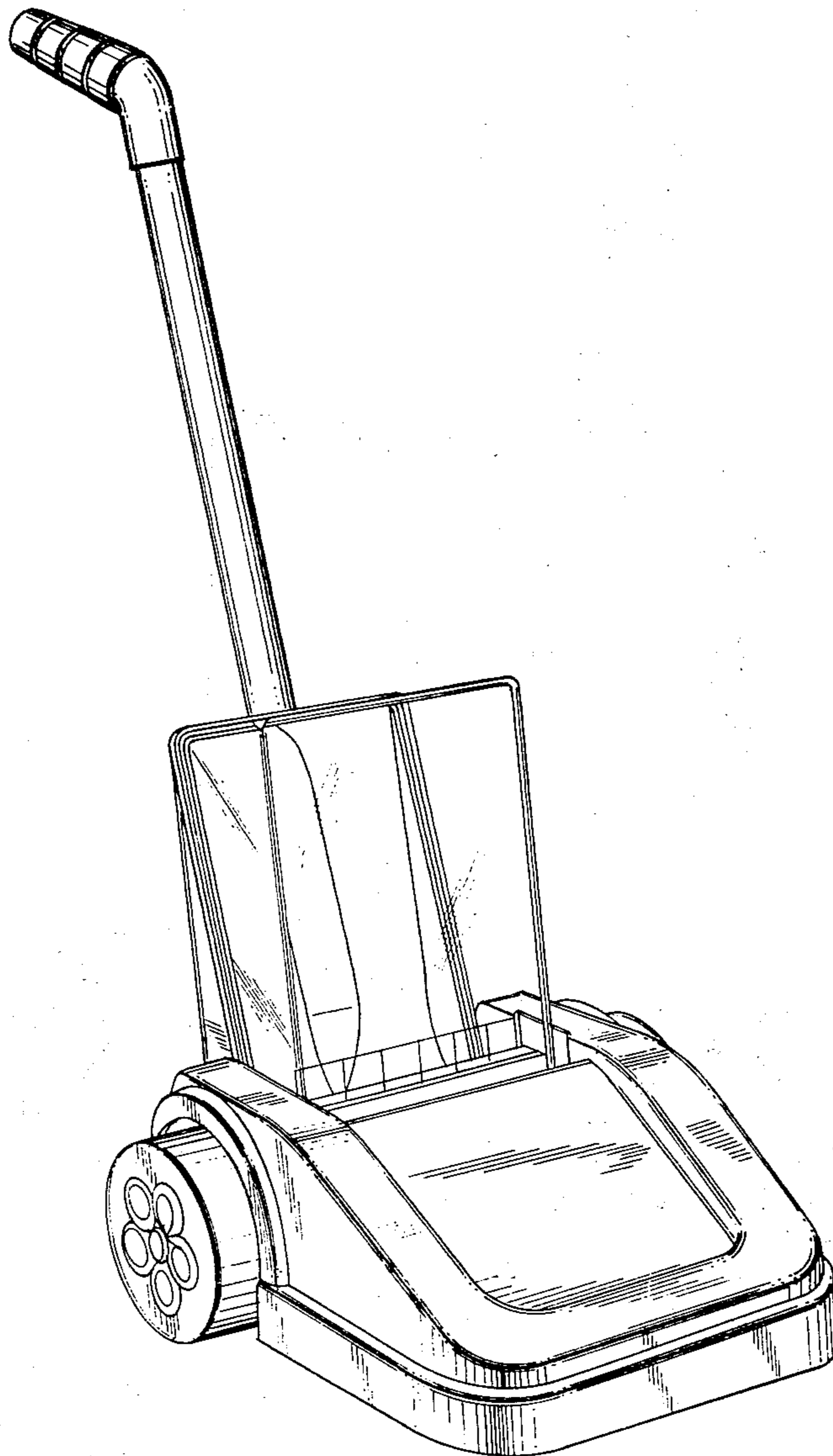
[57] CLAIM

The ornamental design for a vacuum cleaner action toy, substantially as shown and described.

DESCRIPTION

FIG. 1 is a front perspective view of a vacuum cleaner action toy showing our new design; FIG. 2 is a right side view thereof; FIG. 3 is a front view thereof; FIG. 4 is a rear view thereof; FIG. 5 is a top view thereof; and FIG. 6 is a bottom view thereof.

- [56] References Cited
- U.S. PATENT DOCUMENTS
- D. 141,450 6/1945 Marshall et al. D21/122



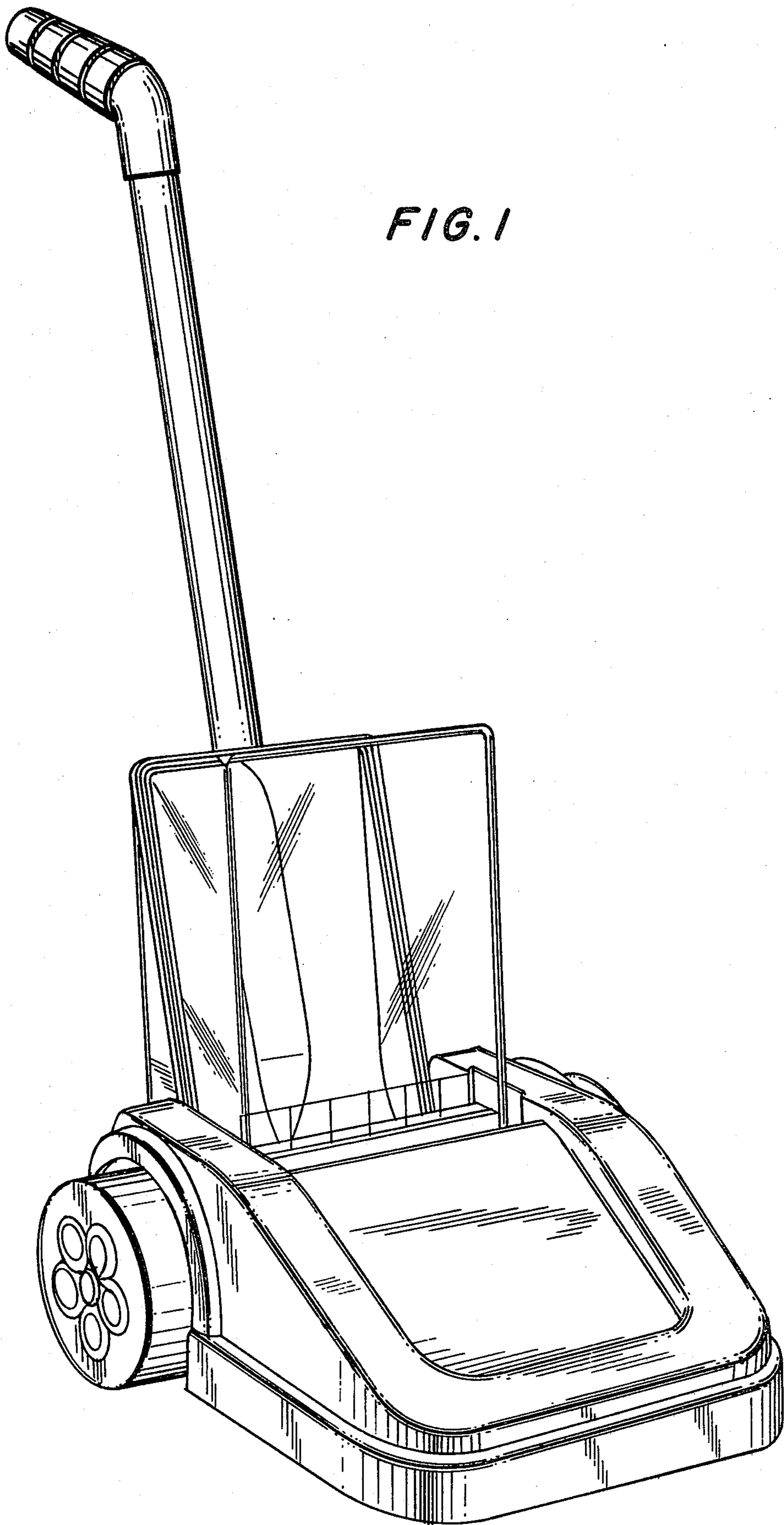


FIG. 1

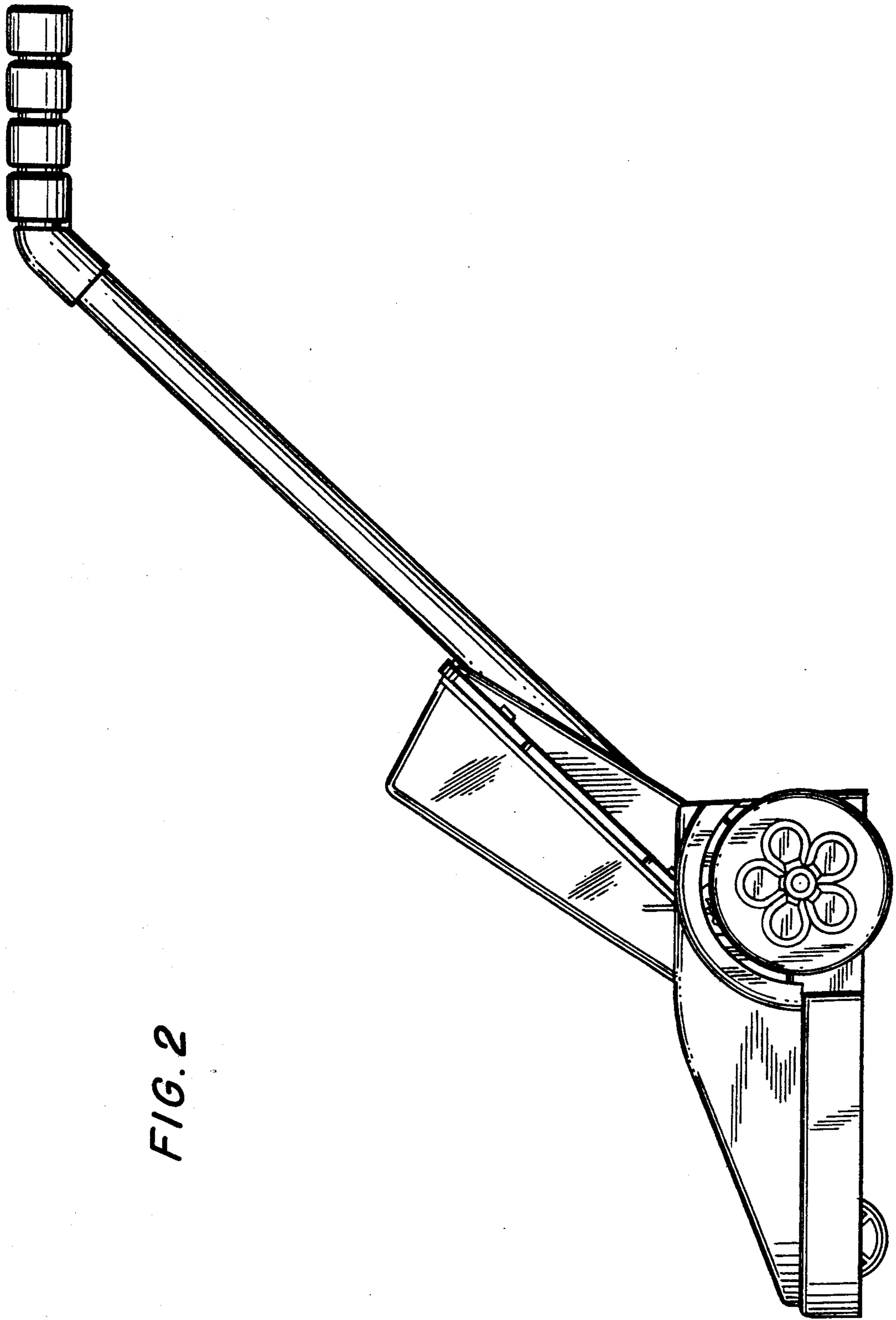


FIG. 2

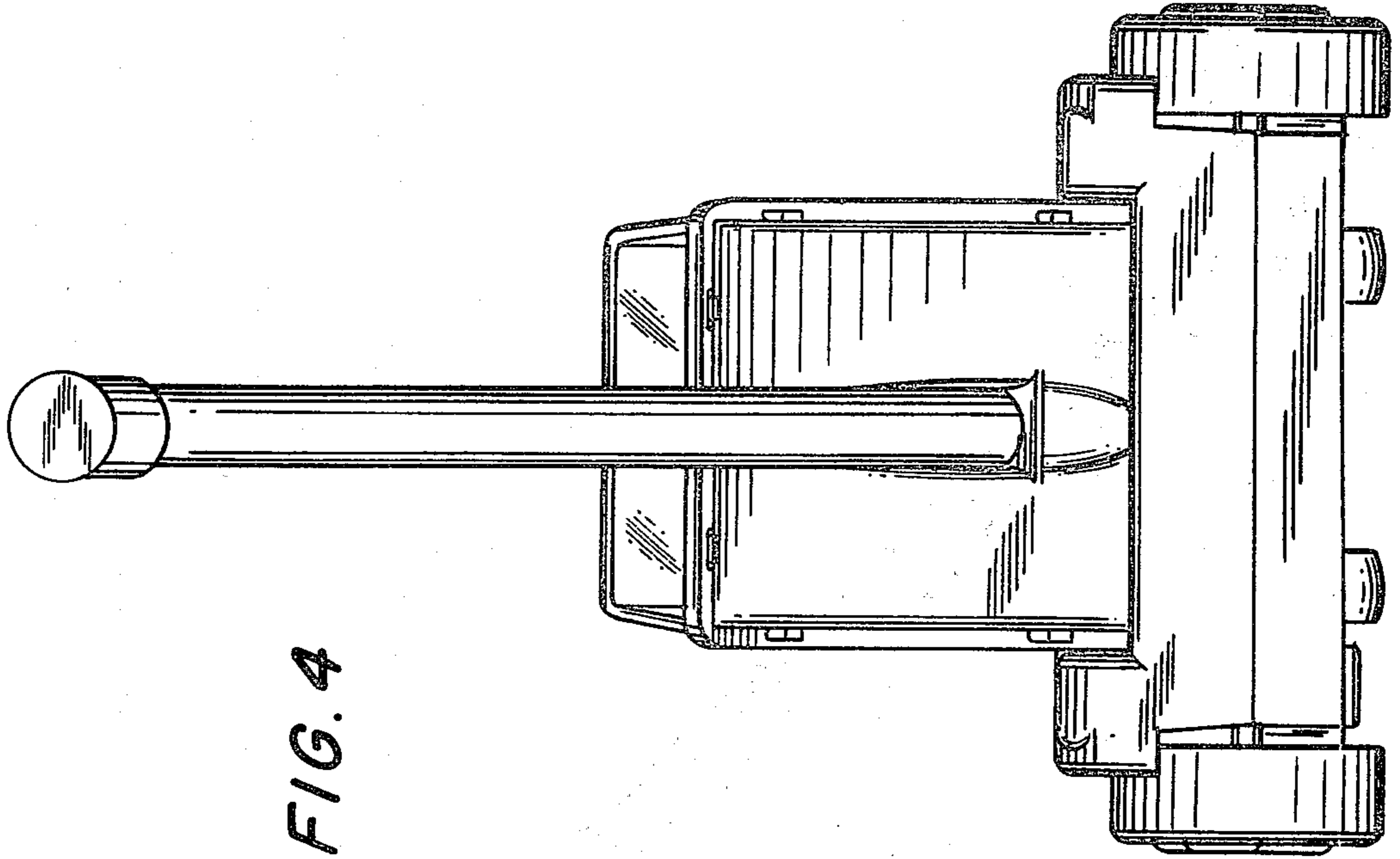


FIG. 4

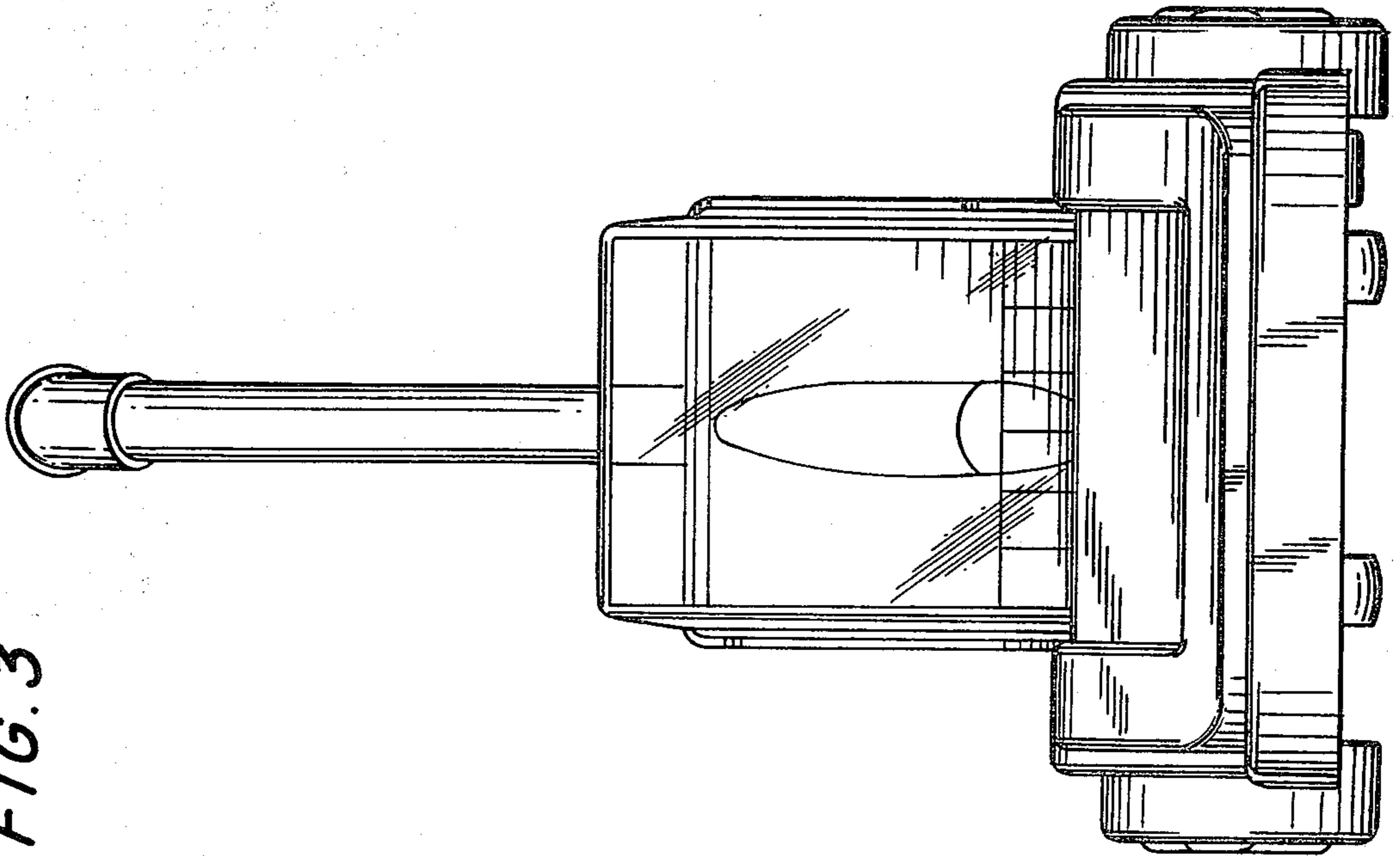


FIG. 3

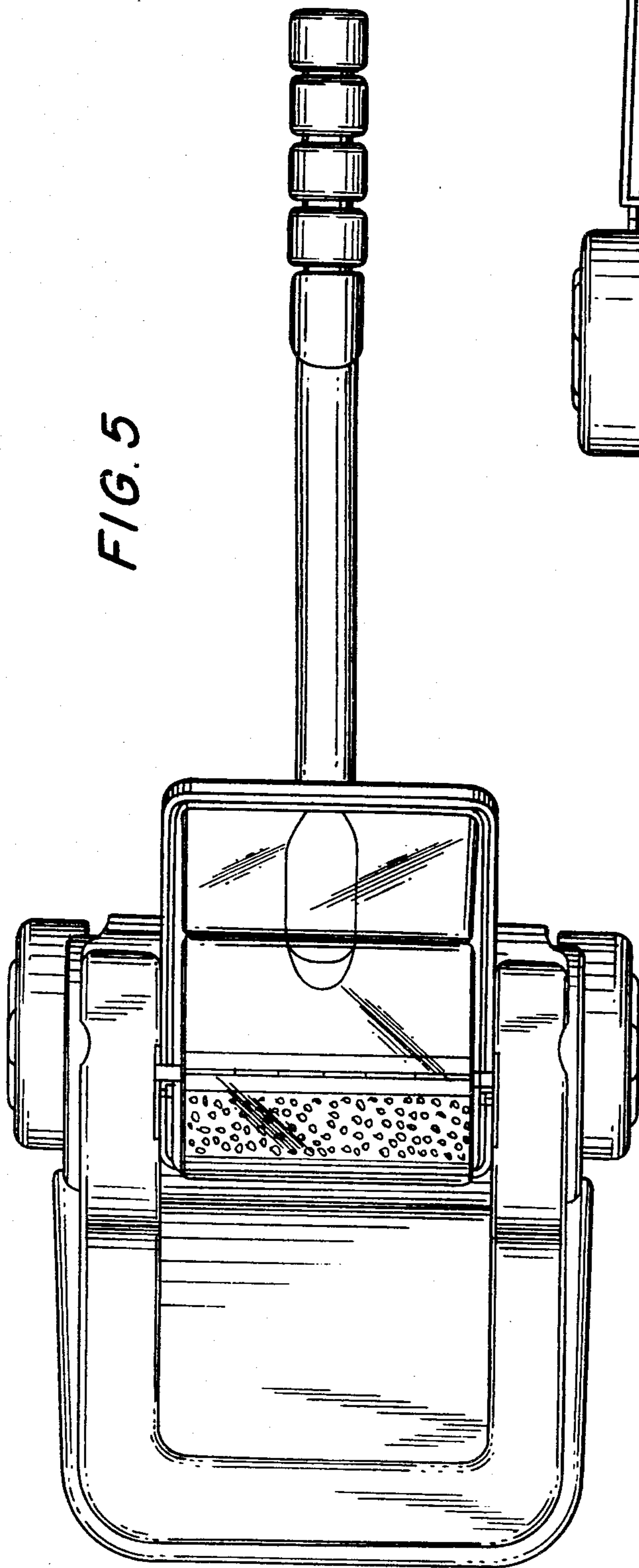


FIG. 5

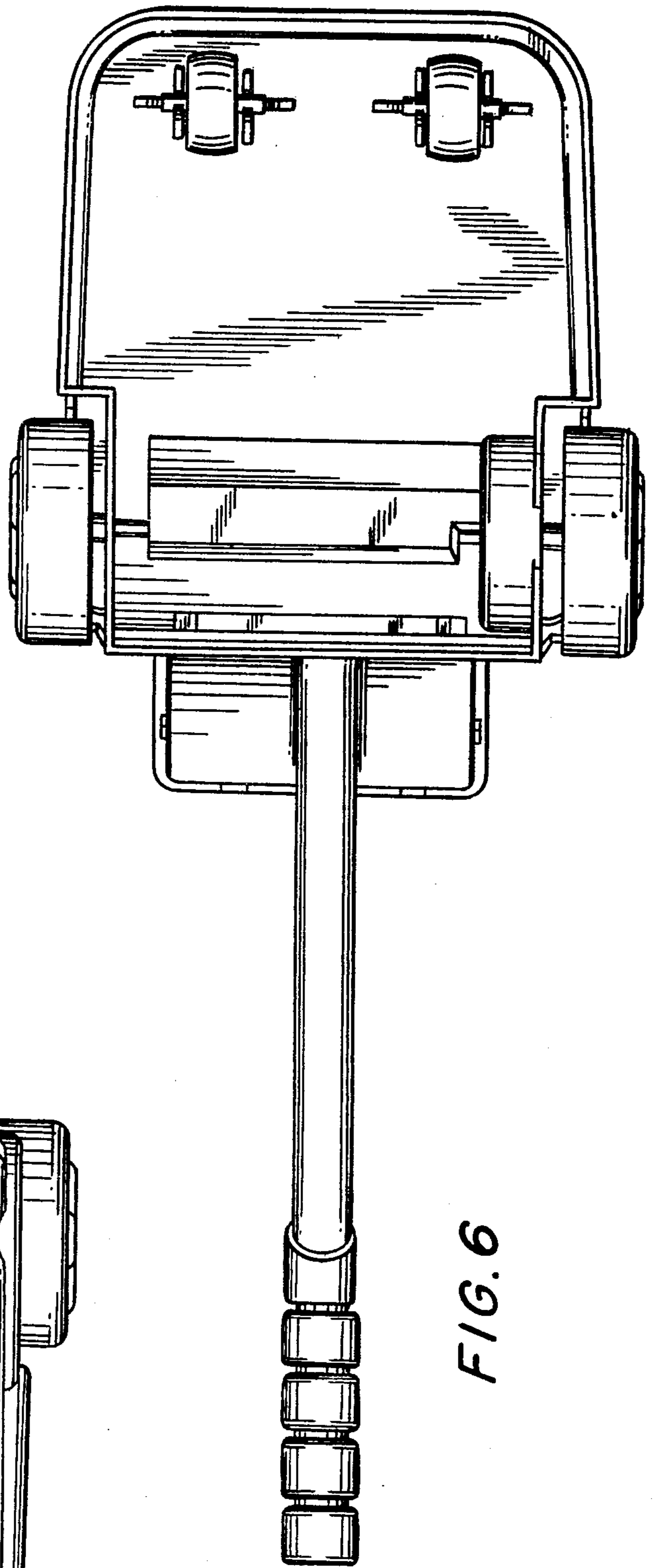


FIG. 6