

[54] **STACKABLE POKER CHIP HOLDER**

3,231,074 1/1966 Block 206/0.84

[75] Inventor: **Richard L. Stevenson**, Minneapolis, Minn.

Primary Examiner—Melvin B. Feifer
Attorney, Agent, or Firm—Kenyon & Kenyon

[73] Assignee: **JAX, Ltd.**, Minneapolis, Minn.

[57] **CLAIM**

[**] Term: **14 Years**

The ornamental design for a stackable poker chip holder, substantially as shown and described.

[21] Appl. No.: **276,179**

DESCRIPTION

[22] Filed: **Jun. 22, 1981**

FIG. 1 is a perspective view of a stackable poker chip holder showing my new design;

[52] U.S. Cl. **D21/56; D7/38; D9/424; D9/456**

FIG. 2 is a plan view of the poker chip holder in FIG. 1;

[58] **Field of Search** **D21/56; D9/341, 345, D9/424, 456; 273/148 R; D99/34; D34/40; 211/49 R; 206/0.84, 557, 564; D19/92; 133/1 A; D7/37, 38, 21; D6/89**

FIG. 3 is a front elevational view of the poker chip holder in FIG. 1;

FIG. 4 is an end elevational view of the poker chip holder in FIG. 1;

[56] **References Cited**

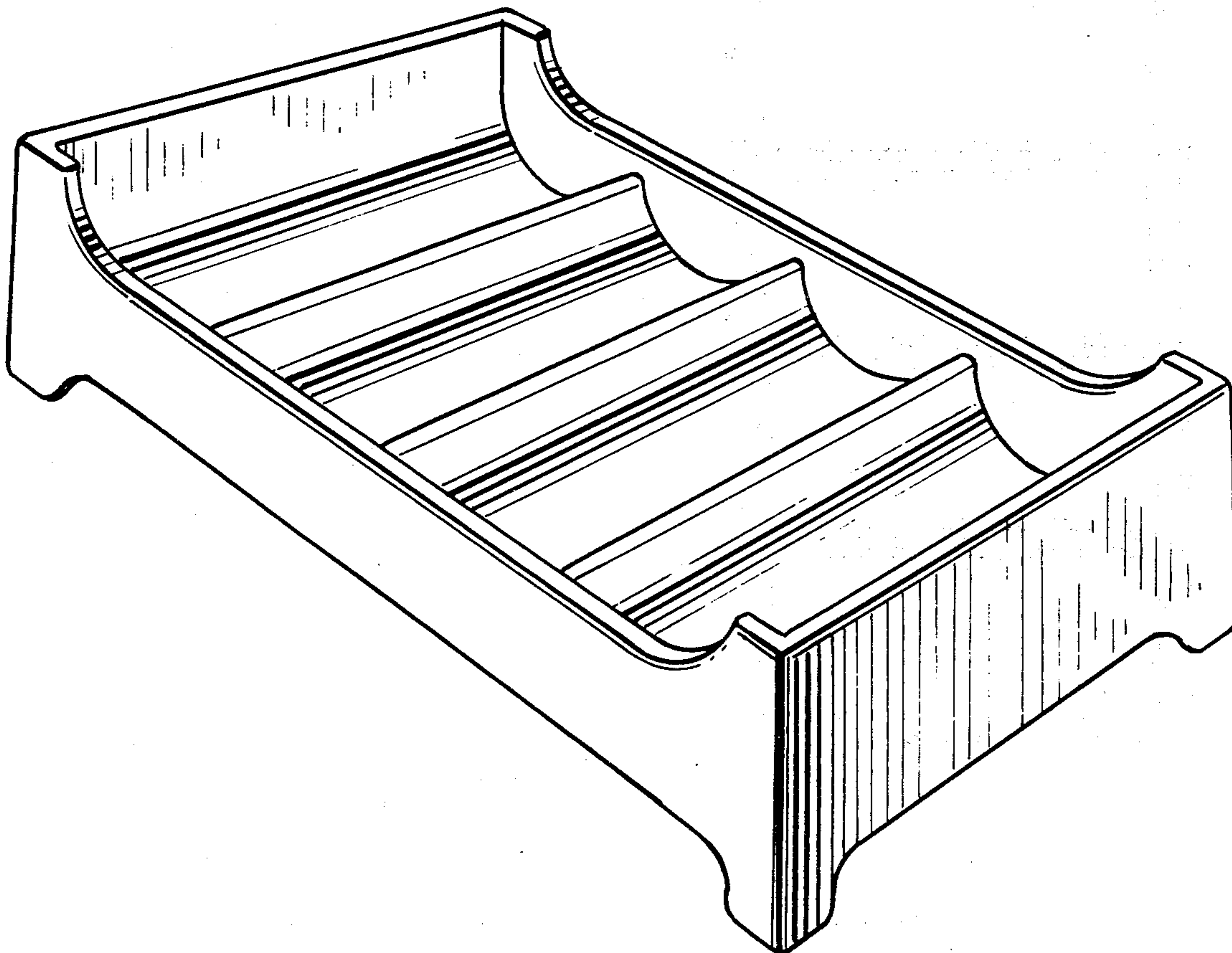
U.S. PATENT DOCUMENTS

- D. 172,596 7/1954 Harper D9/456
- D. 184,219 1/1959 Foster D6/89
- D. 247,025 1/1978 Cherry D9/424

FIG. 5 is a bottom elevational view of the poker chip holder in FIG. 1; and

FIG. 6 is a perspective view of the poker chip holder of FIG. 1 in stacked array.

The broken line showing of a holder is to show environment only.



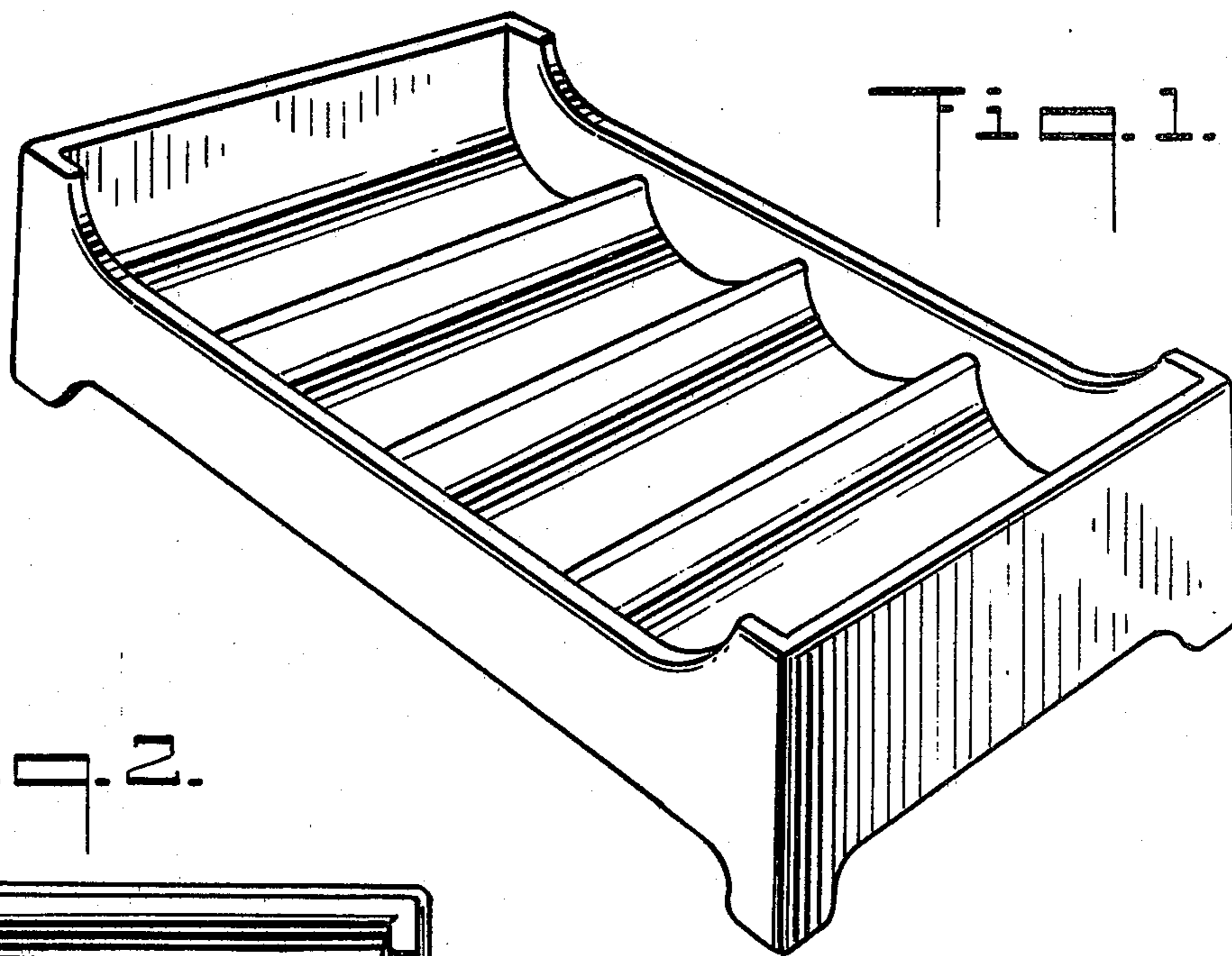


Fig. 2.

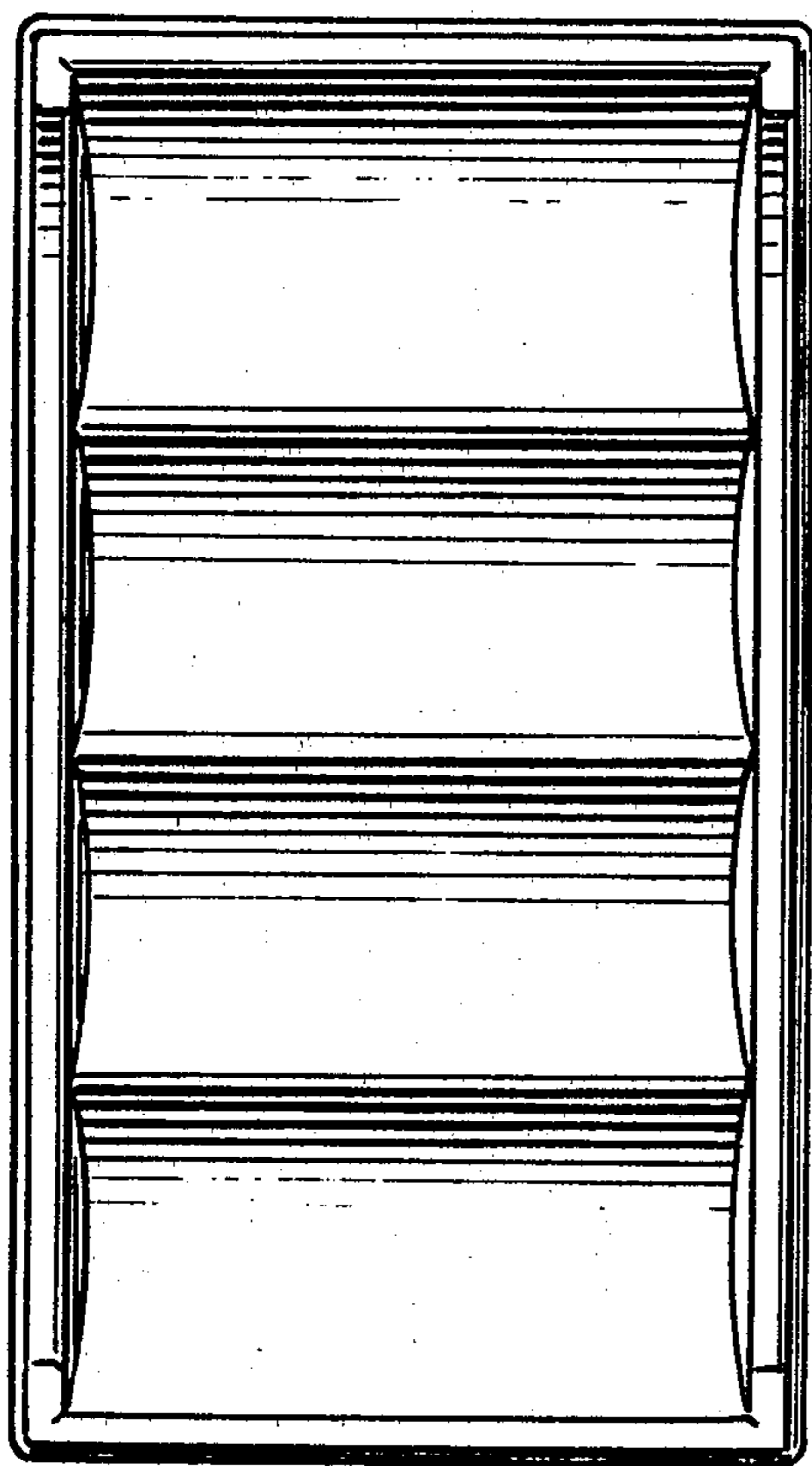


Fig. 4.

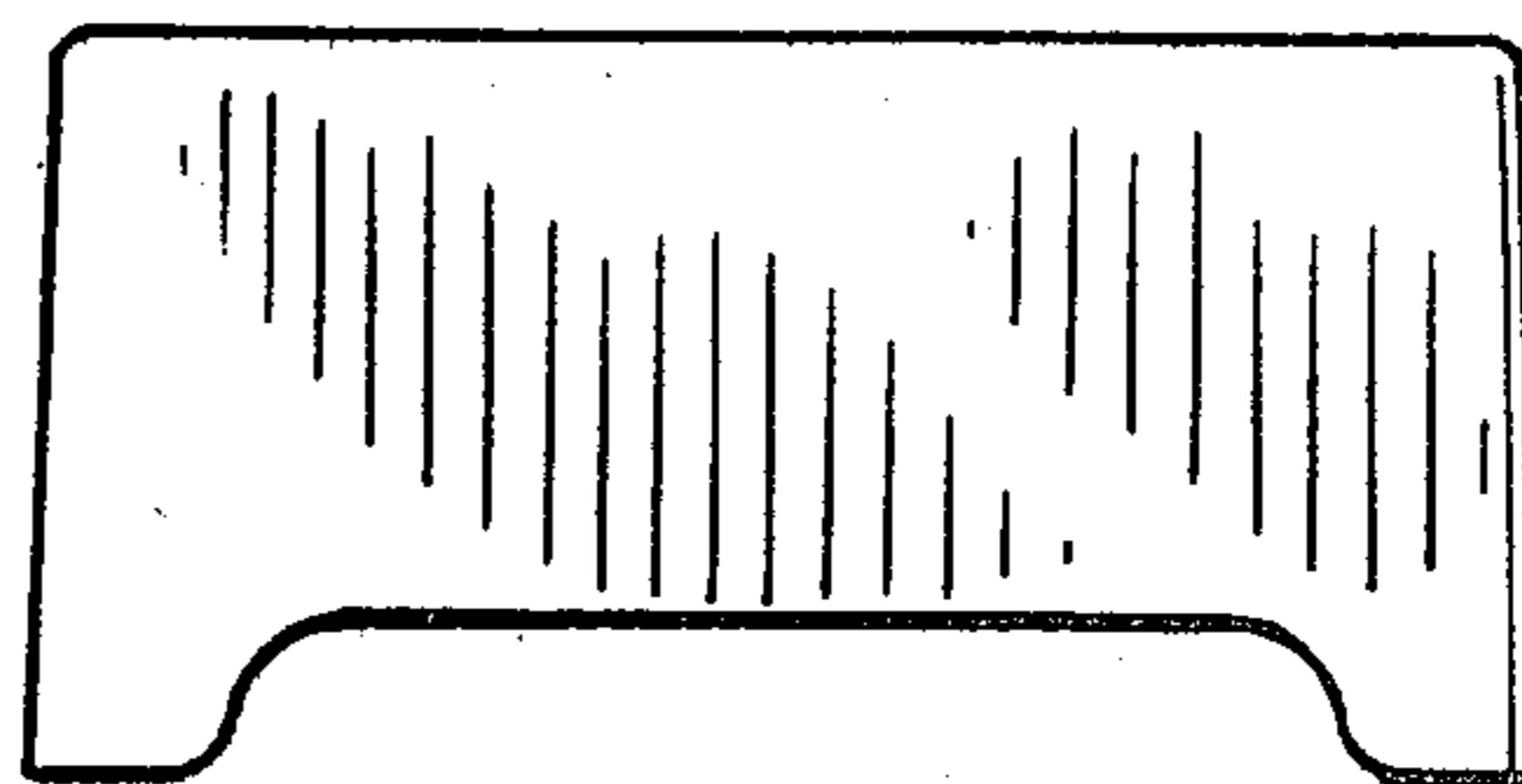
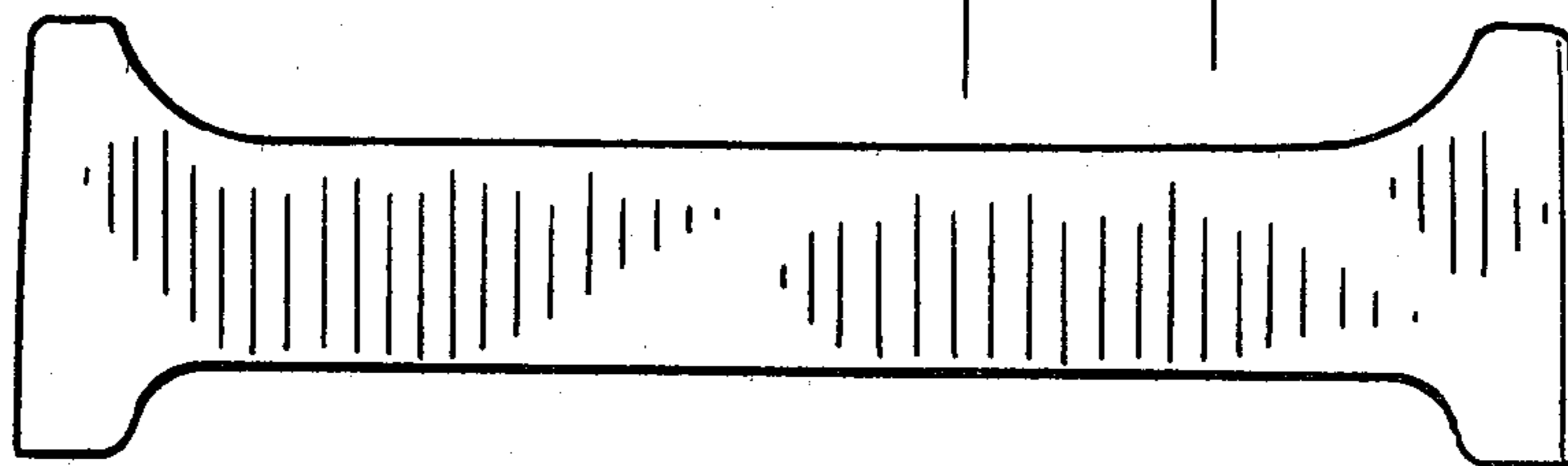


Fig. 3.



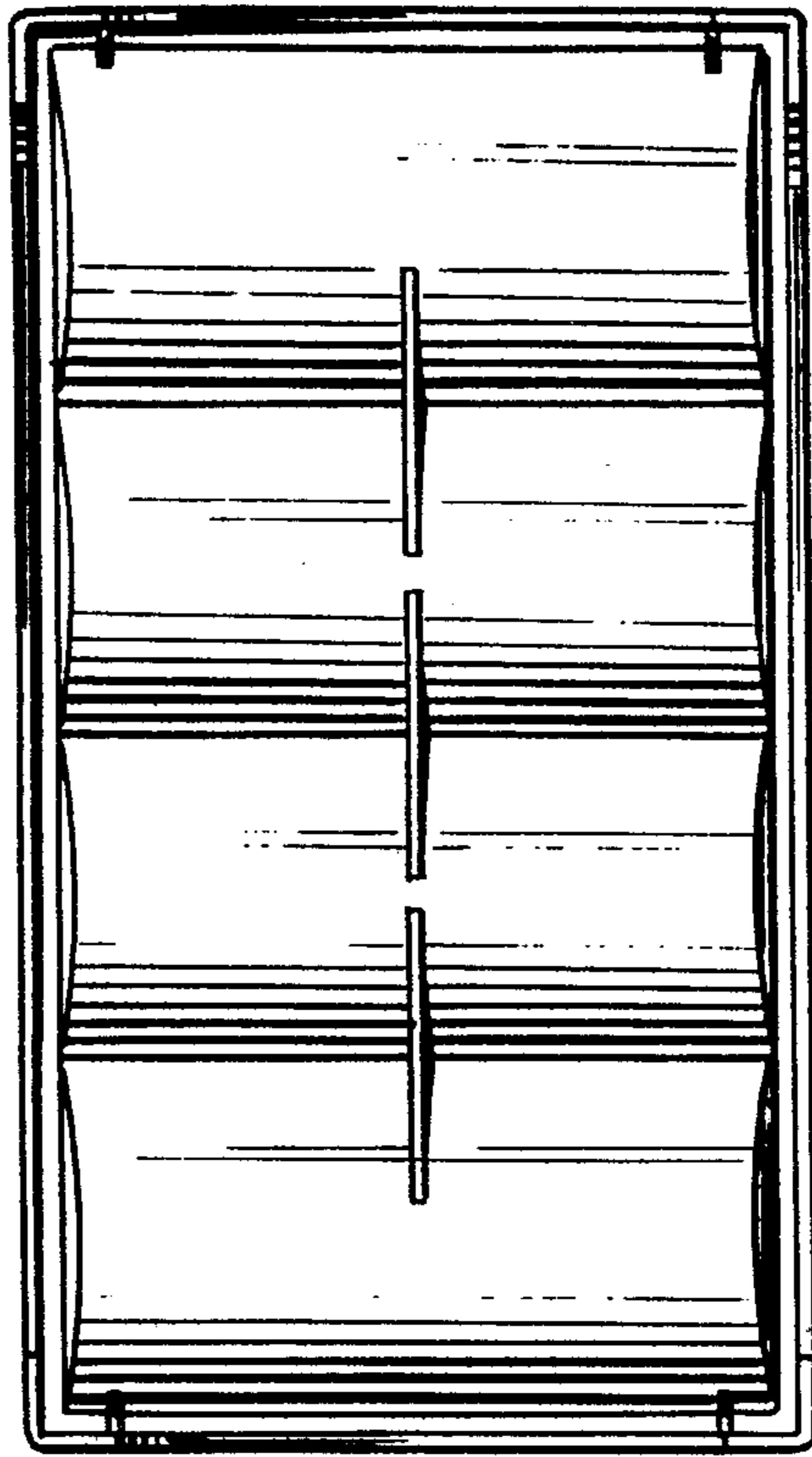


Fig. 5.

Fig. 6.

