

[54] SEWING MACHINE

3,815,531 6/1974 Wurst et al. .... 112/275 X

[75] Inventors: Susumu Hanyu; Masatomo Amamiya, both of Hachioji, Japan

[73] Assignee: Janome Sewing Machine Co., Ltd., Tokyo, Japan

[\*\*] Term: 14 Years

[21] Appl. No.: 252,128

[22] Filed: Apr. 8, 1981

[30] Foreign Application Priority Data

Aug. 18, 1980 [JP] Japan ..... 55/33474

[52] U.S. Cl. .... D15/68; D15/69

[58] Field of Search ..... D15/66, 68, 69, 70, D15/71, 72, 73, 74, 75, 76; 112/259, 258, 260, 275, 277, 217.4

[56] References Cited

U.S. PATENT DOCUMENTS

D. 210,256 2/1968 Fresard ..... D15/70

D. 228,526 10/1973 Yamamoto ..... D15/69

OTHER PUBLICATIONS

"Bernina" Matic publication; Sewing Machine in publication.

Vogue Patterns Jan./Feb. 1980, backcover; Sewing Machine on page.

Primary Examiner—Winifred E. Herrmann

Assistant Examiner—Carmen H. Vales

Attorney, Agent, or Firm—Michael J. Striker

[57] CLAIM

The ornamental design for a sewing machine, substantially as shown and described.

DESCRIPTION

FIG. 1 is a front perspective view of a sewing machine showing our new design;

FIG. 2 is a front elevational view thereof;

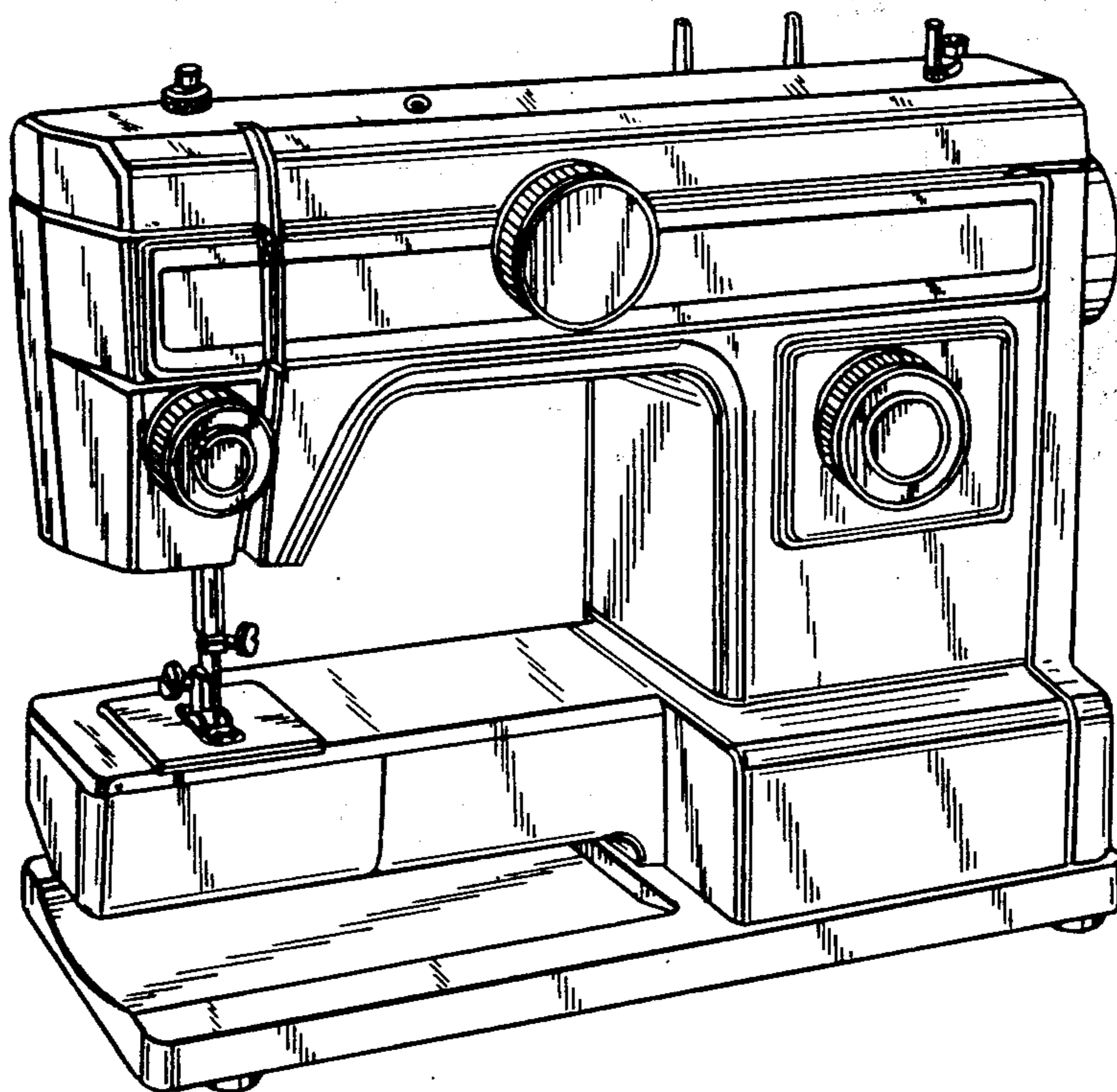
FIG. 3 is a rear elevational view thereof;

FIG. 4 is a top plan view thereof;

FIG. 5 is a bottom plan view thereof;

FIG. 6 is a left end view thereof; and

FIG. 7 is a right end view thereof.



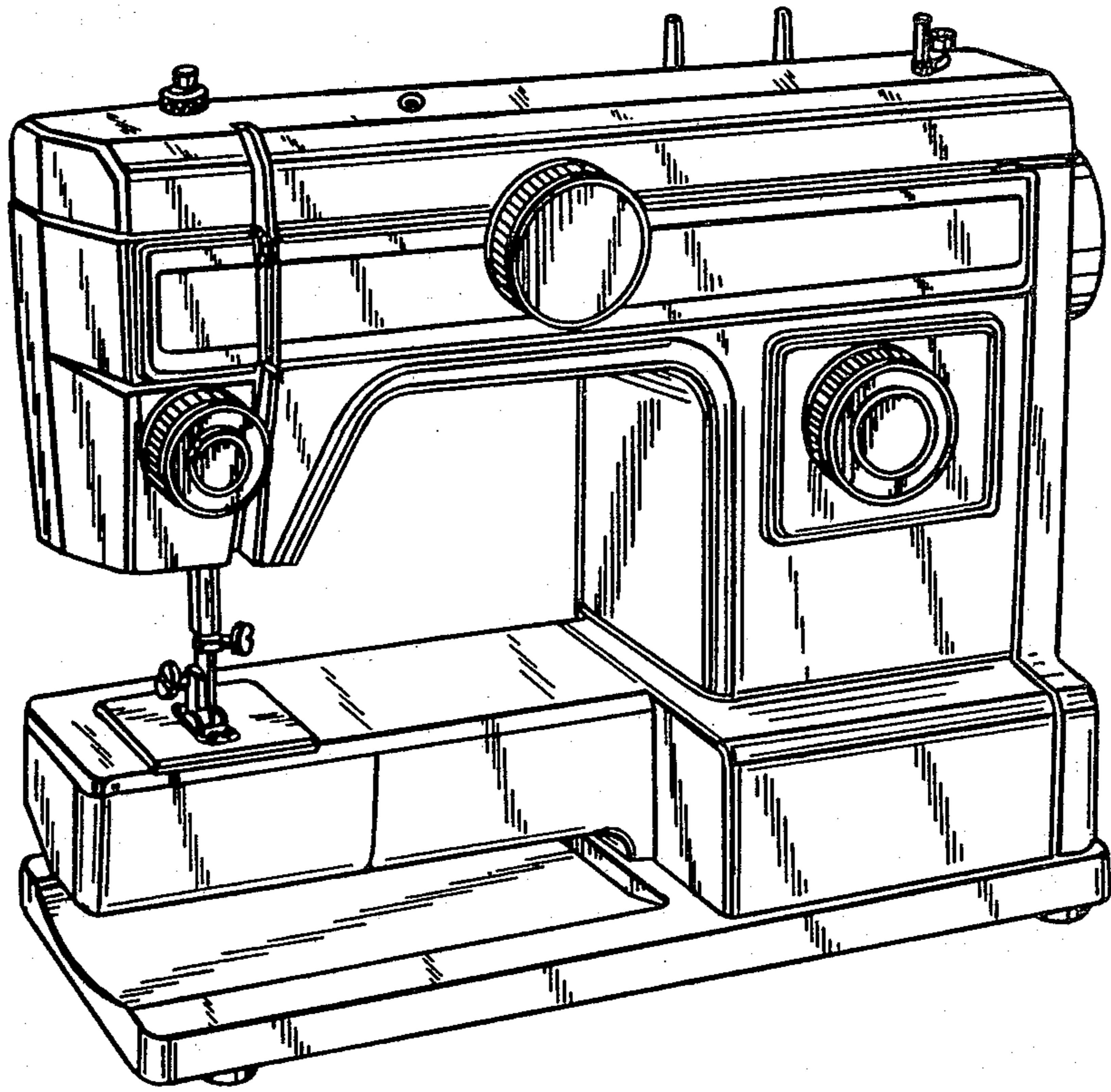


FIG. 1

FIG. 4

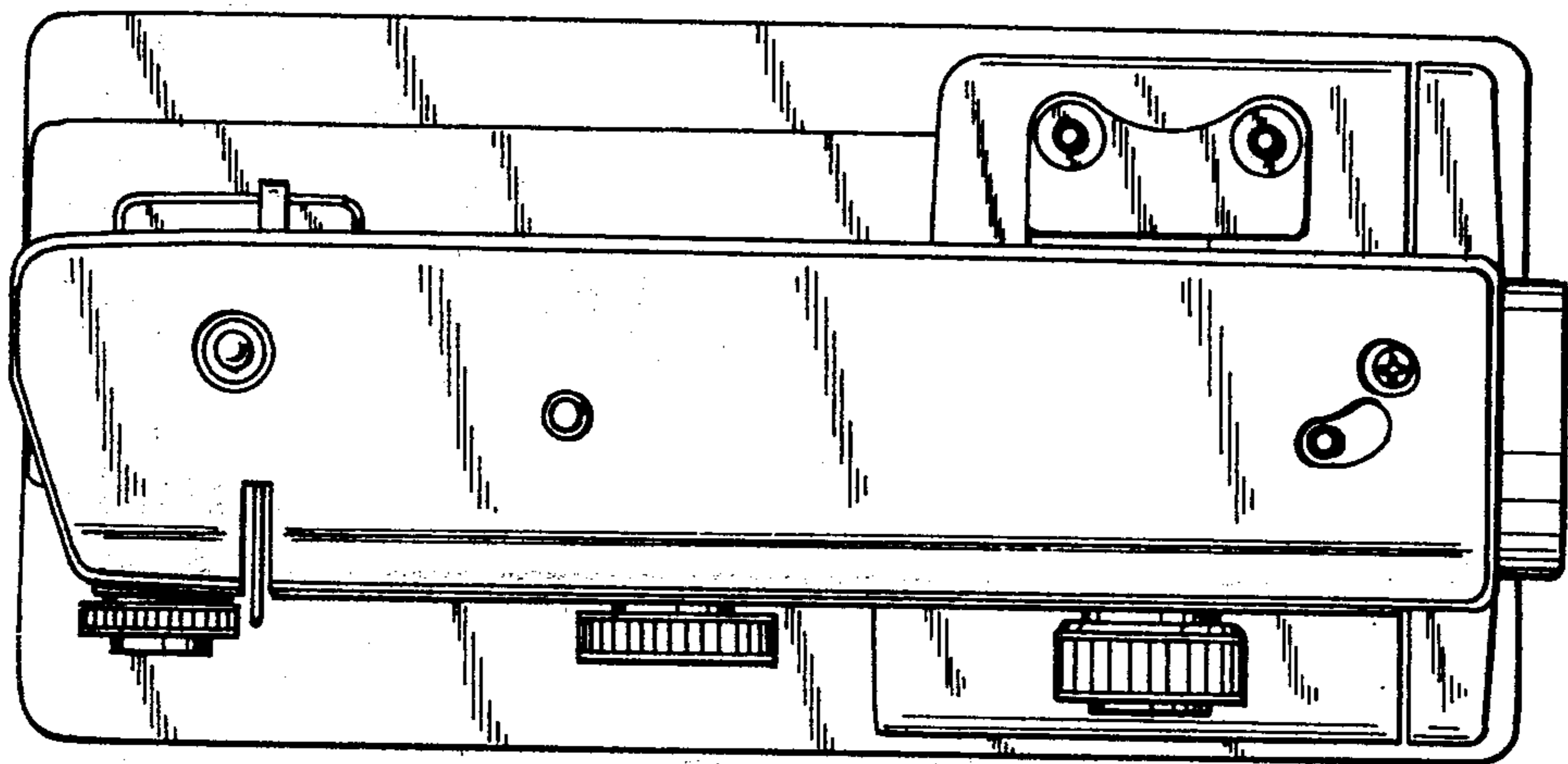


FIG. 2

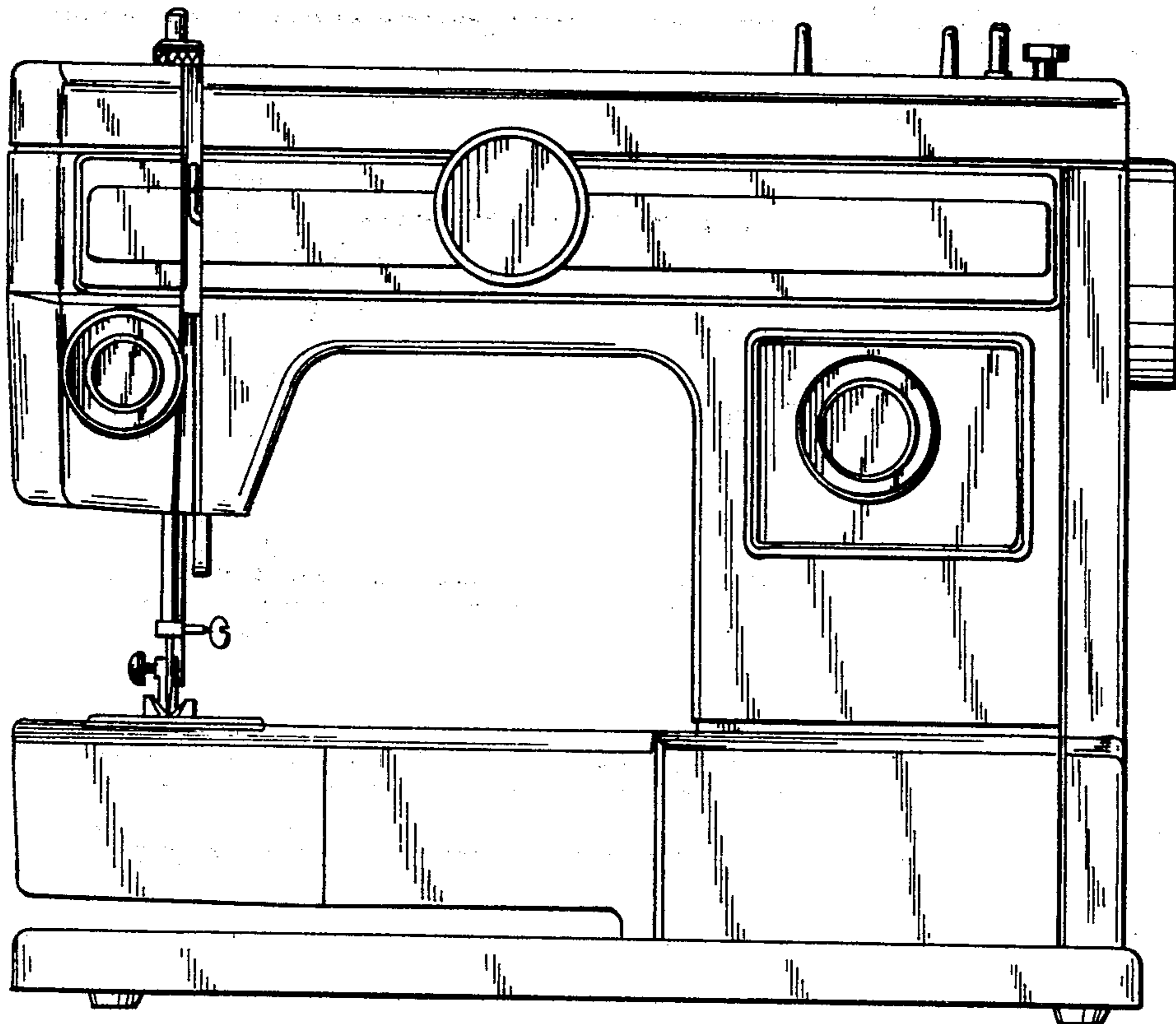


FIG. 5

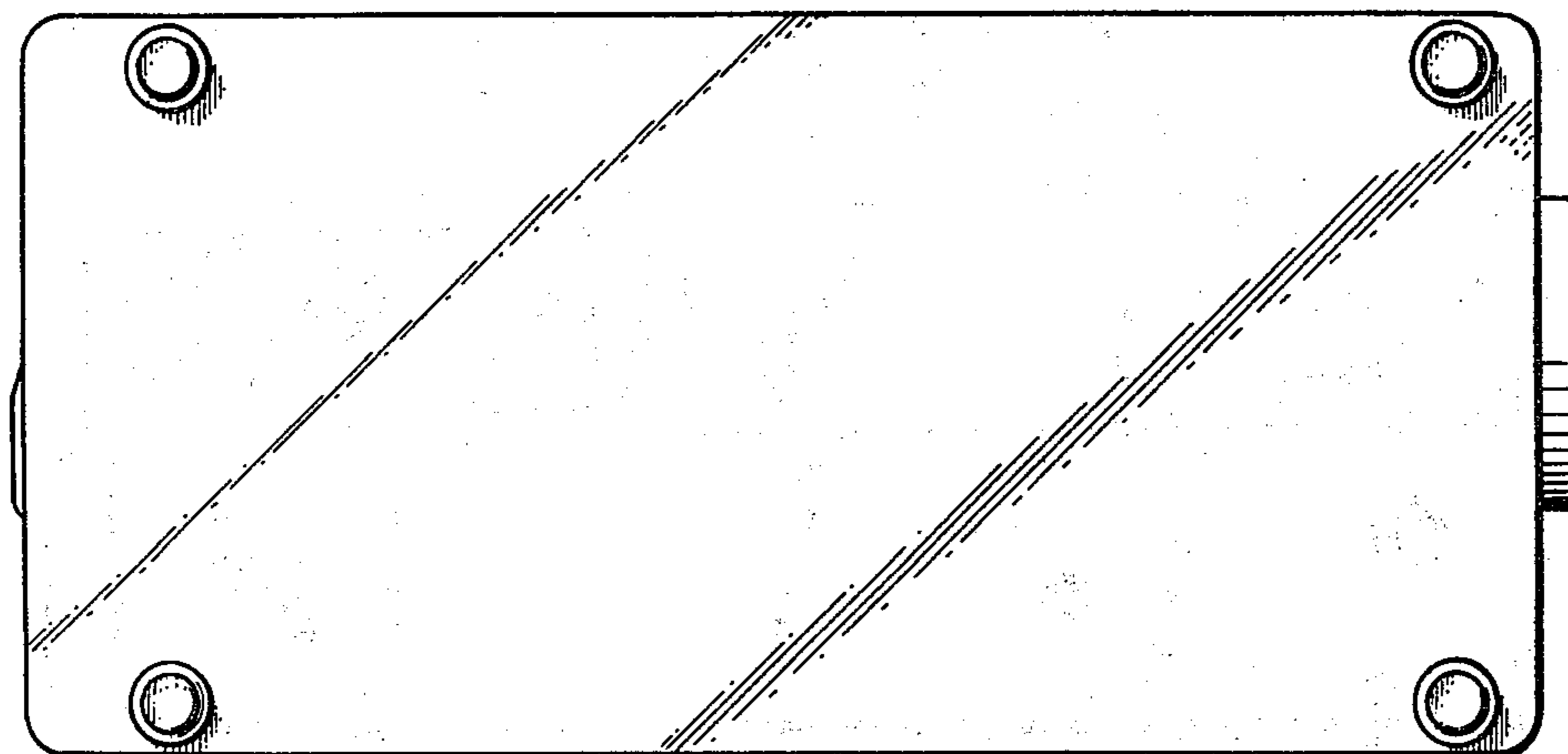


FIG. 3

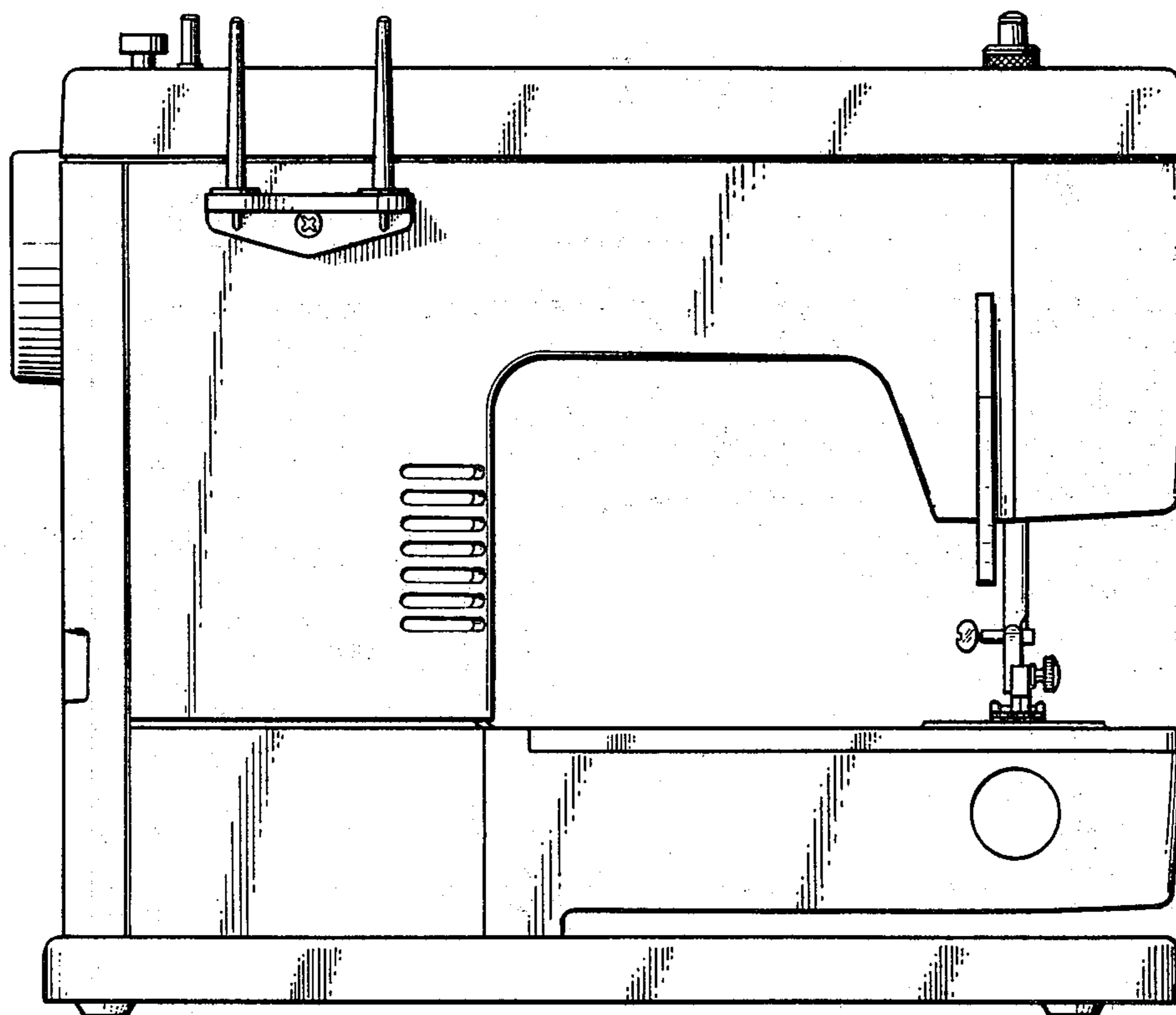


FIG. 6

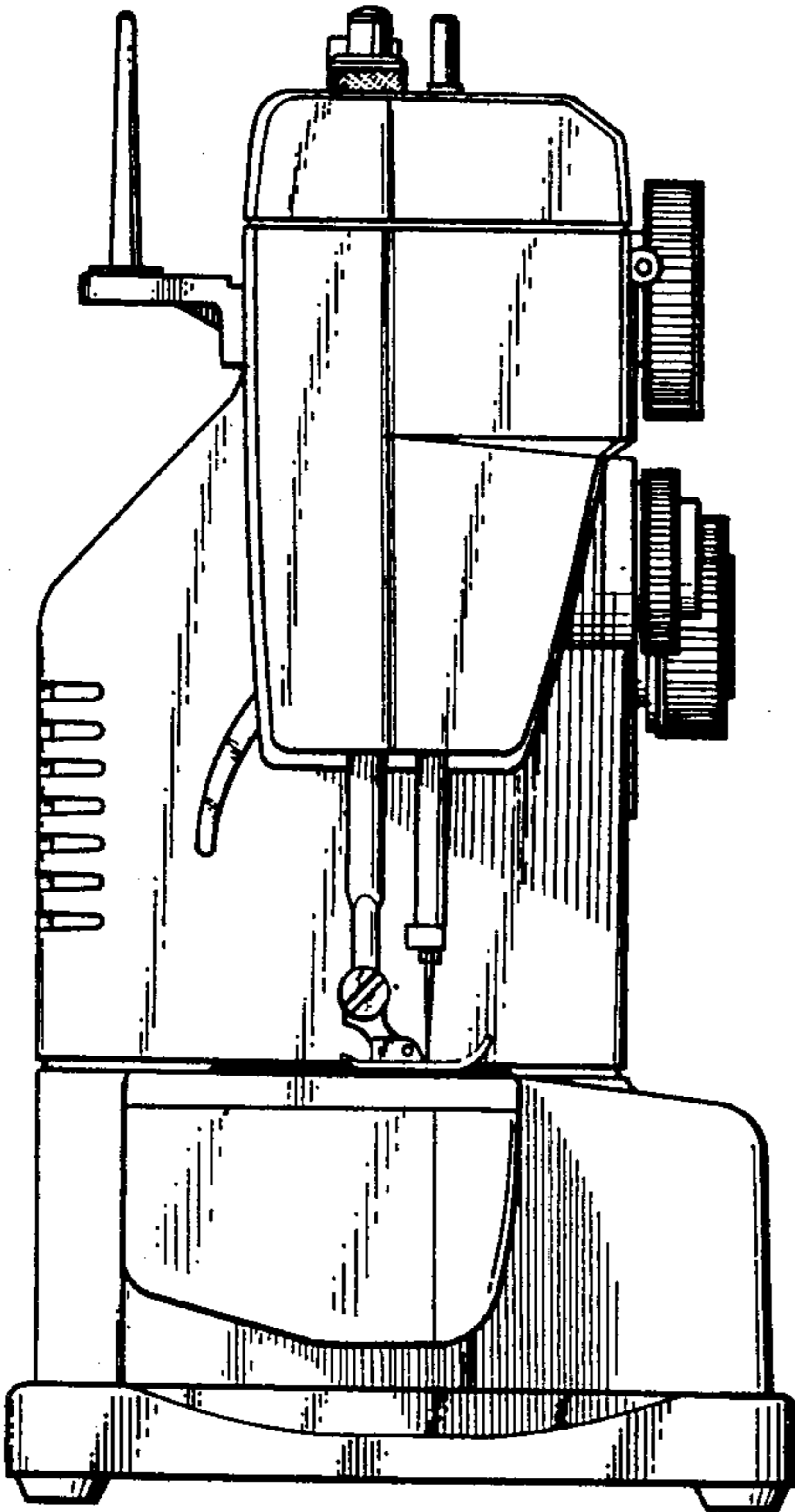


FIG. 7

