

[54] ROTARY COMPRESSOR

[75] Inventor: Edward Boller, Halesowen, England

[73] Assignee: The Hydrovane Compressor Company, Limited, Worcestershire, England

[**] Term: 14 Years

[21] Appl. No.: 228,772

[22] Filed: Jan. 27, 1981

[30] Foreign Application Priority Data

Jul. 31, 1981 [GB] United Kingdom 995967

[52] U.S. Cl. D15/7

[58] Field of Search D15/7, 9; 417/415, 419

[56] References Cited

U.S. PATENT DOCUMENTS

| | | | | |
|------------|---------|-----------------|-------|-------|
| D. 186,961 | 12/1959 | Edison | | D15/7 |
| D. 264,972 | 6/1982 | McMillin et al. | | D15/7 |
| 1,082,183 | 12/1913 | Vernon | | D15/7 |
| 1,761,036 | 6/1930 | Greenwald | | D15/9 |
| 2,550,540 | 4/1951 | Ebsary | | D15/9 |

OTHER PUBLICATIONS

ERW-140 170-PUW Photograph.

ERW-250 Photograph.

ERW-350 Photograph.

AU 45 PU Photograph.

Primary Examiner—Wallace R. Burke

Assistant Examiner—Lynn Wilder

Attorney, Agent, or Firm—Oblon, Fisher, Spivak, McClelland & Maier

CLAIM

The ornamental design for a rotary compressor, as shown.

DESCRIPTION

FIG. 1 is a top plan view of a rotary compressor showing my new design;

FIG. 2 is a bottom plan view thereof;

FIG. 3 is an elevational view thereof from one side;

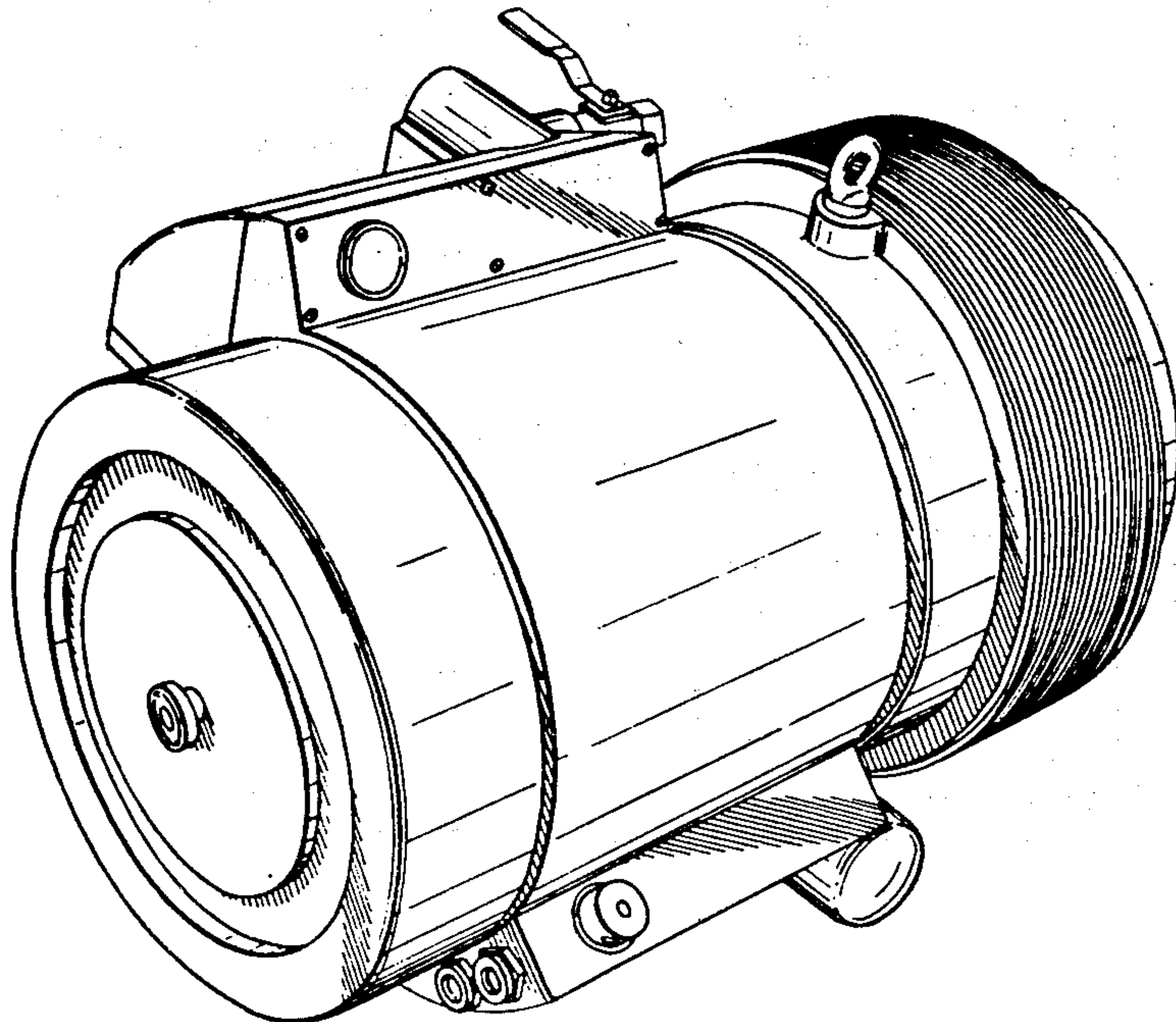
FIG. 4 is an elevational view thereof from the other side;

FIG. 5 is an elevational view thereof from one end;

FIG. 6 is an elevational view thereof from the other end;

FIG. 7 is a front perspective view thereof; and

FIG. 8 is a rear perspective view thereof.



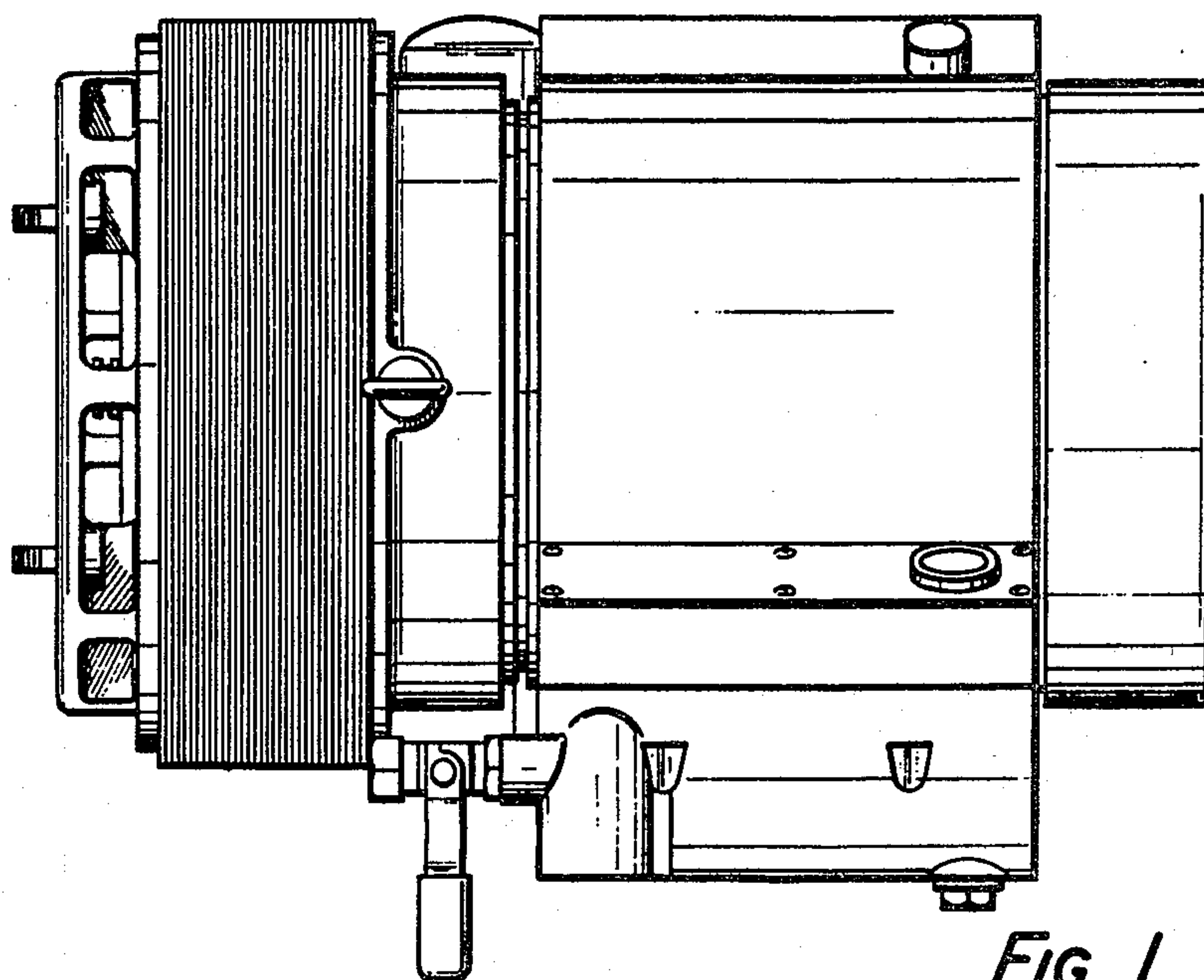


FIG. 1.

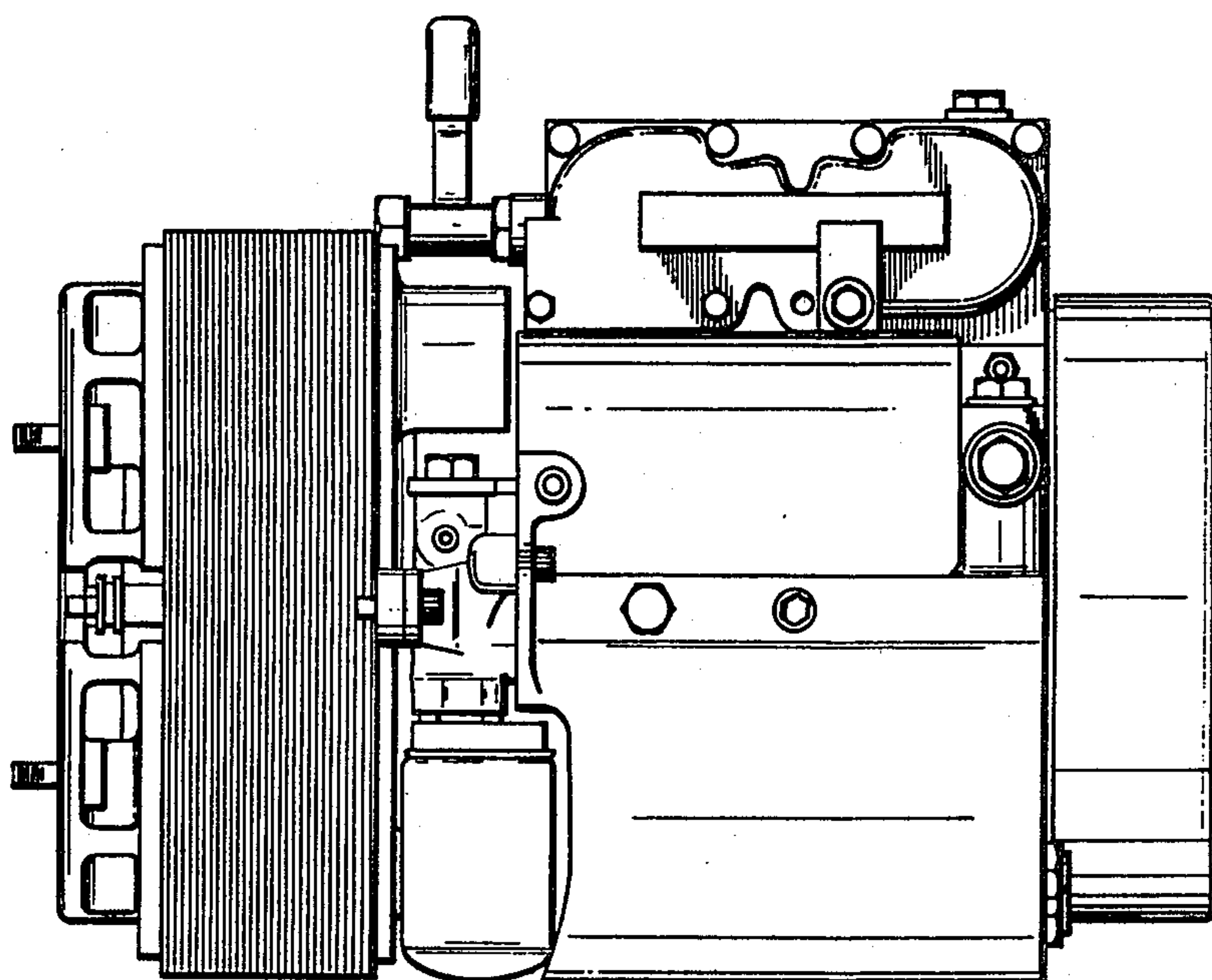


FIG. 2.

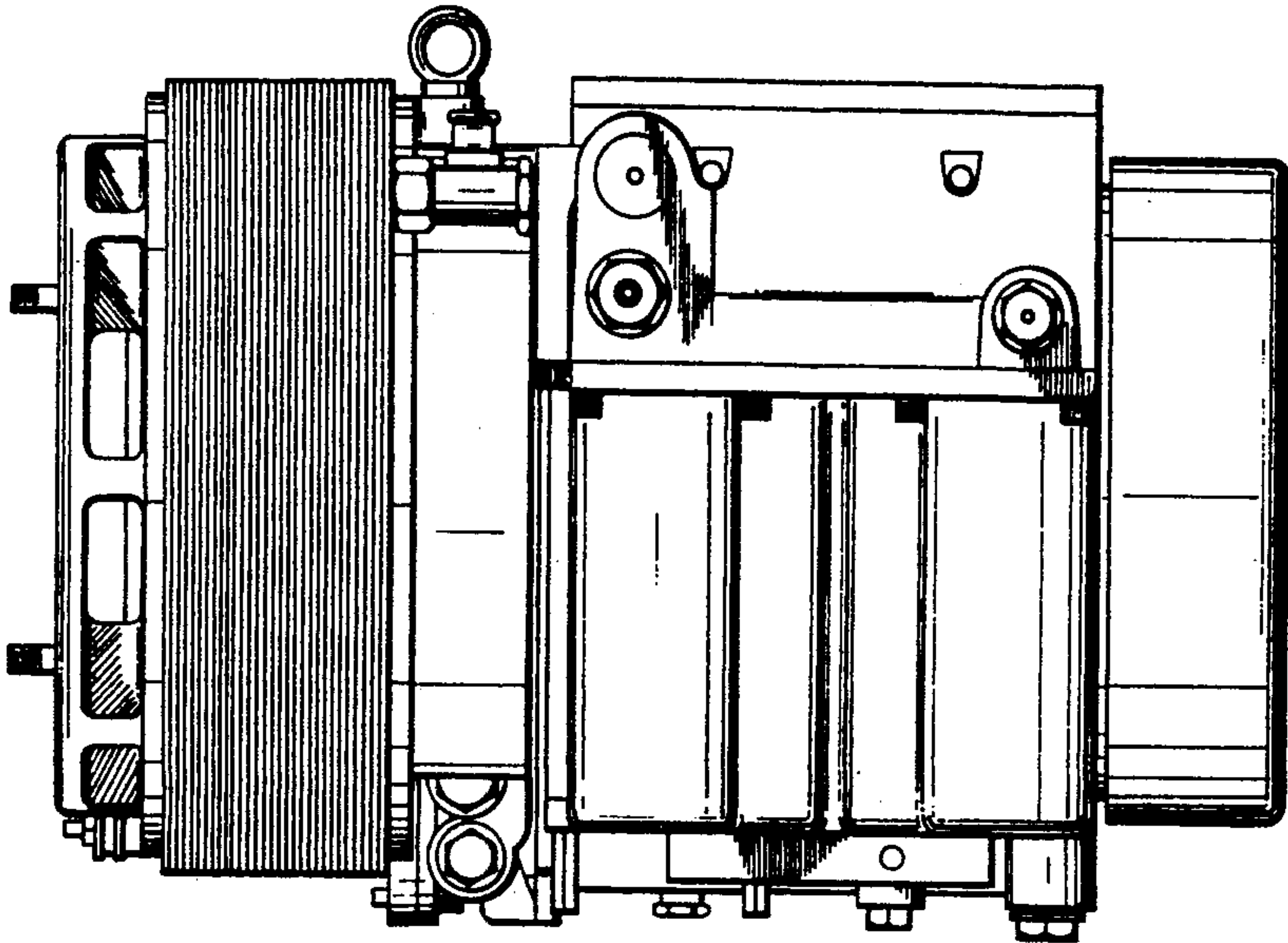


FIG. 3.

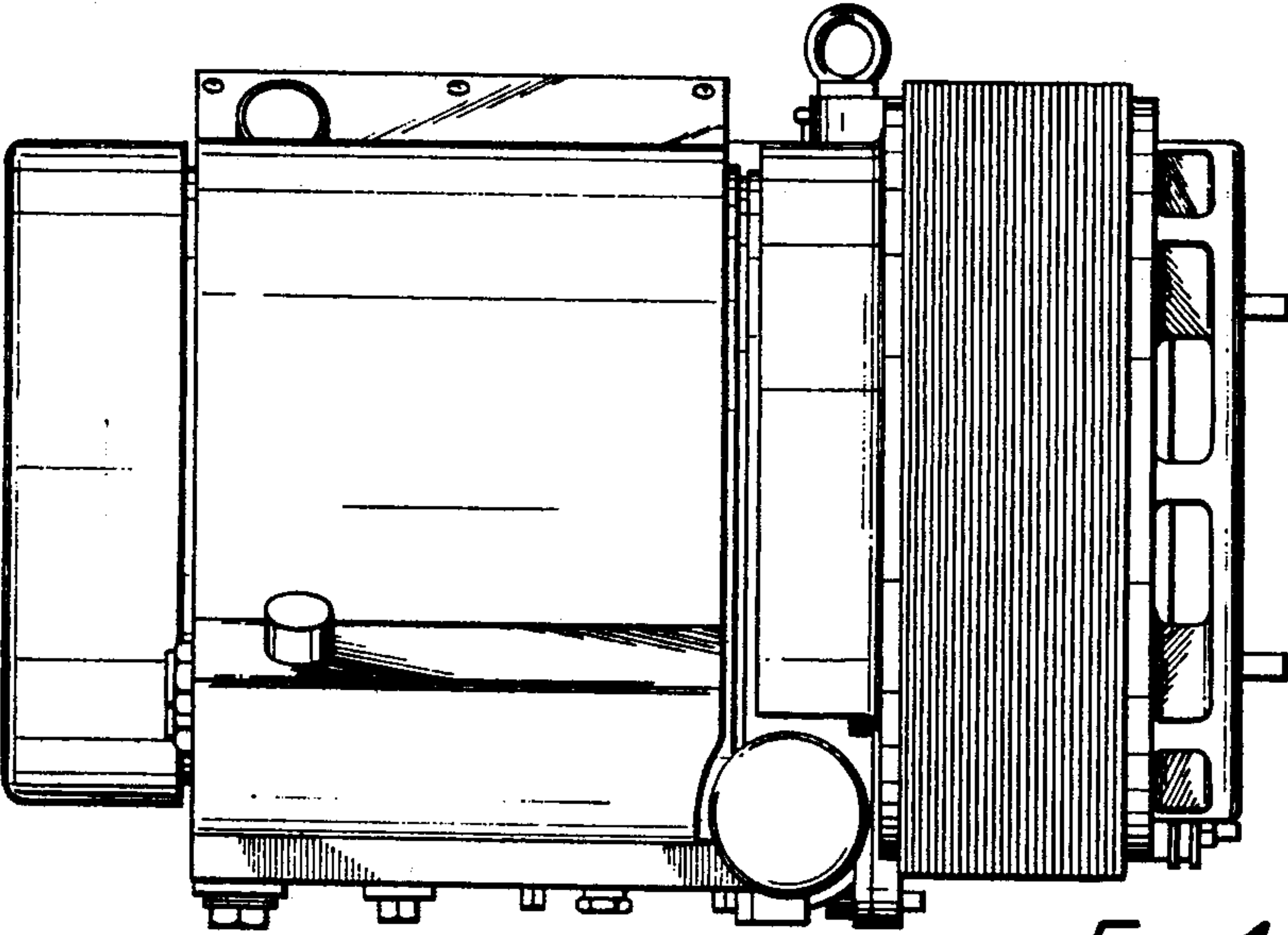


FIG. 4.

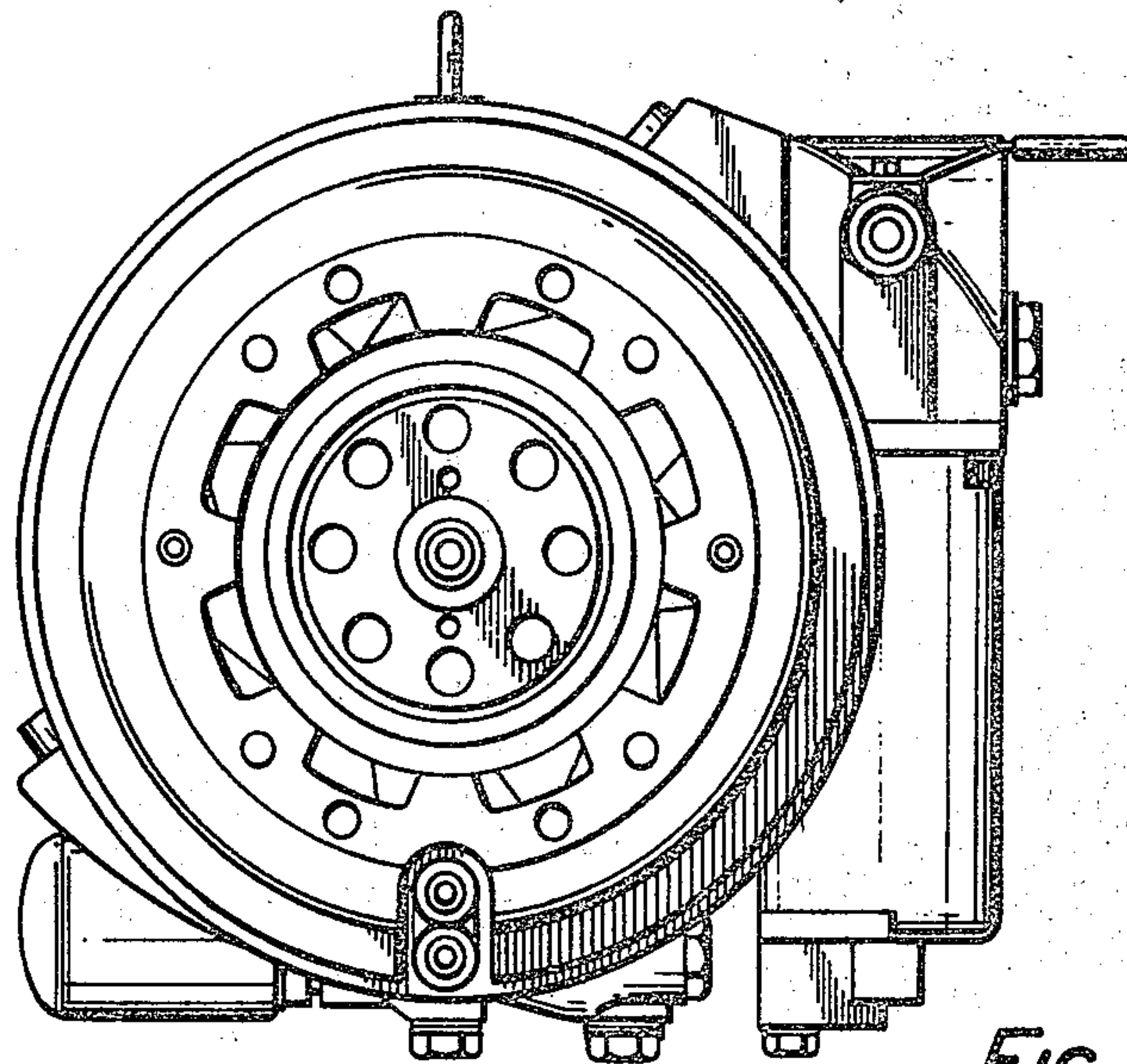


FIG. 5.

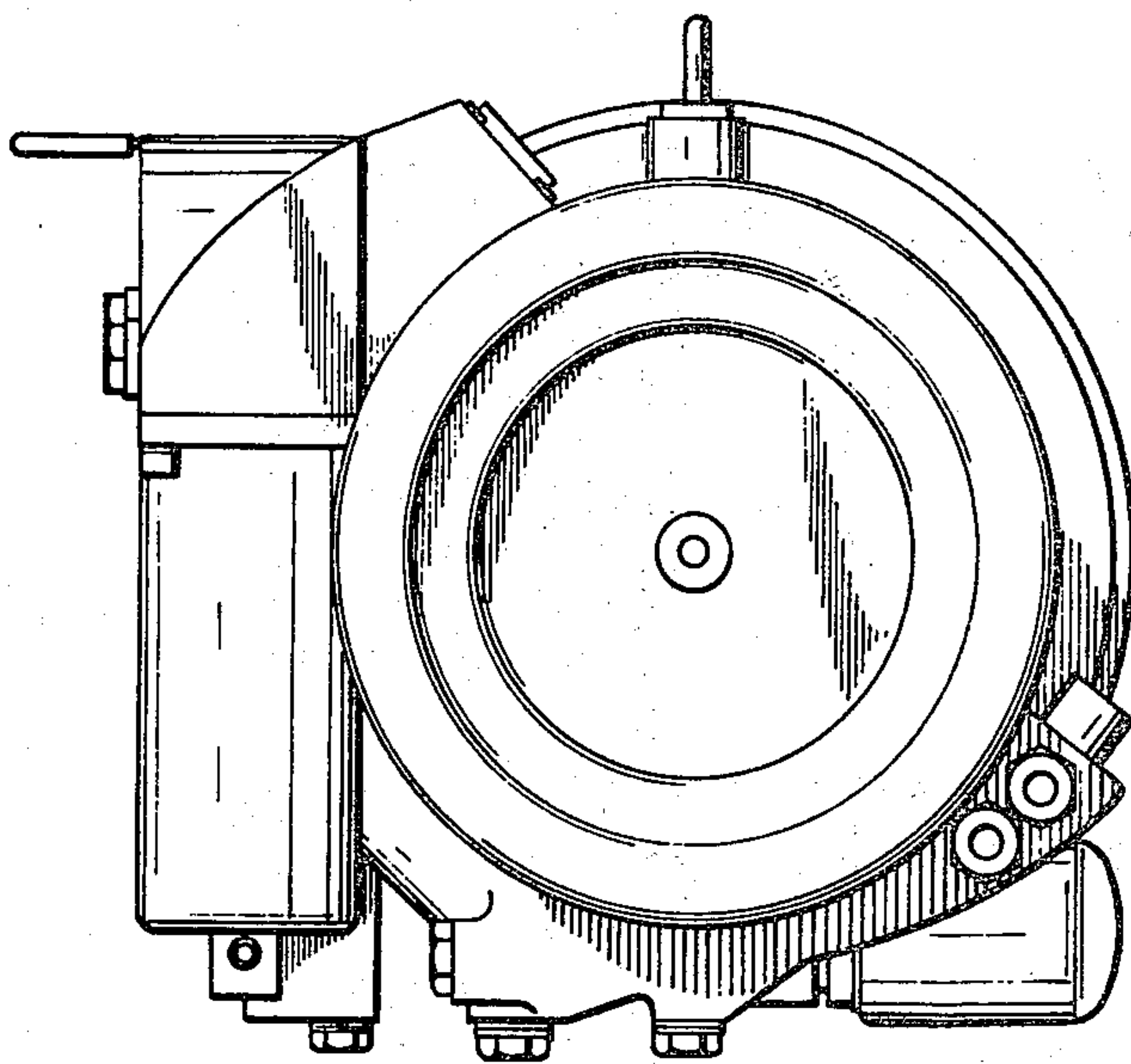


FIG. 6.

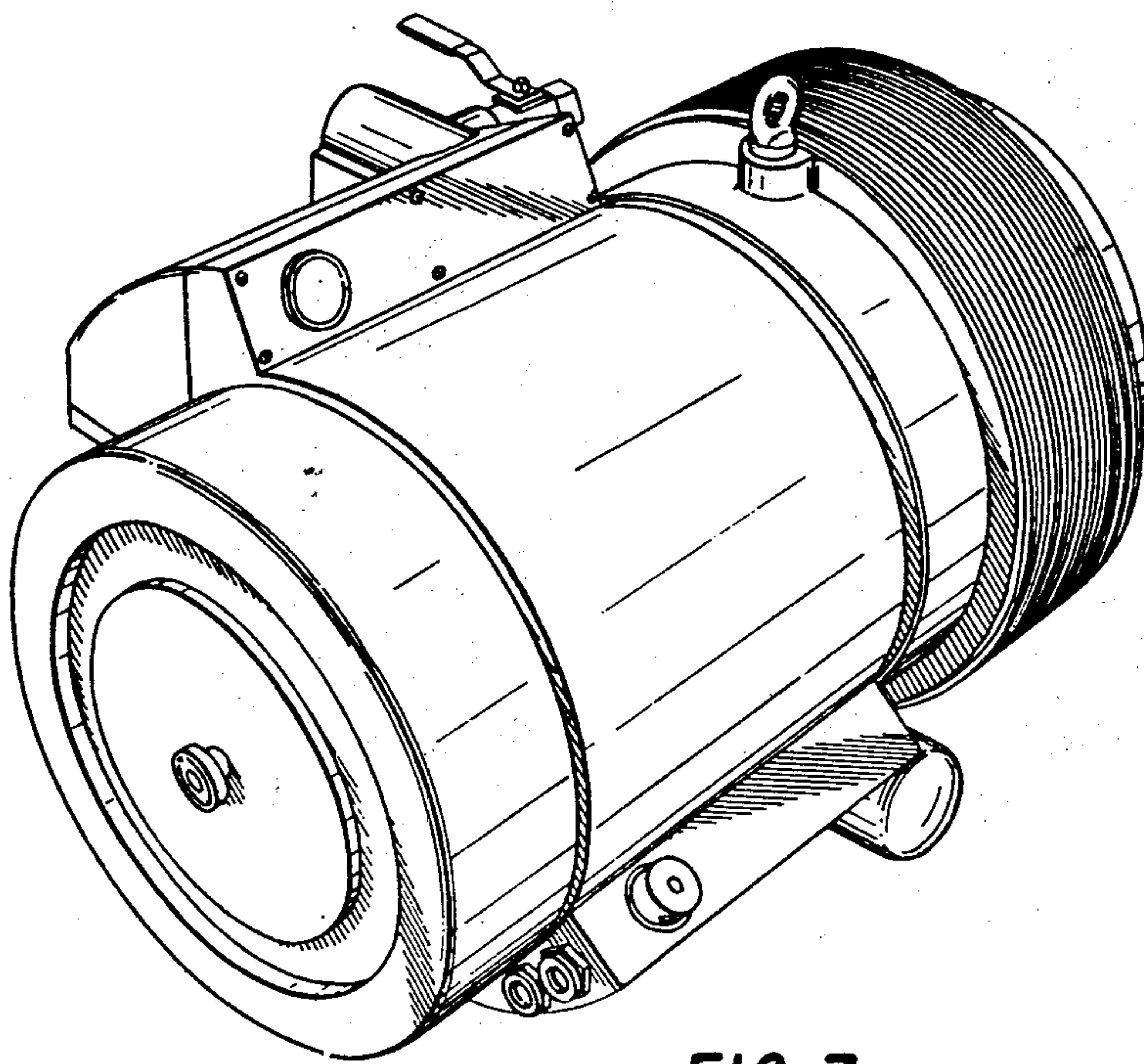


FIG. 7

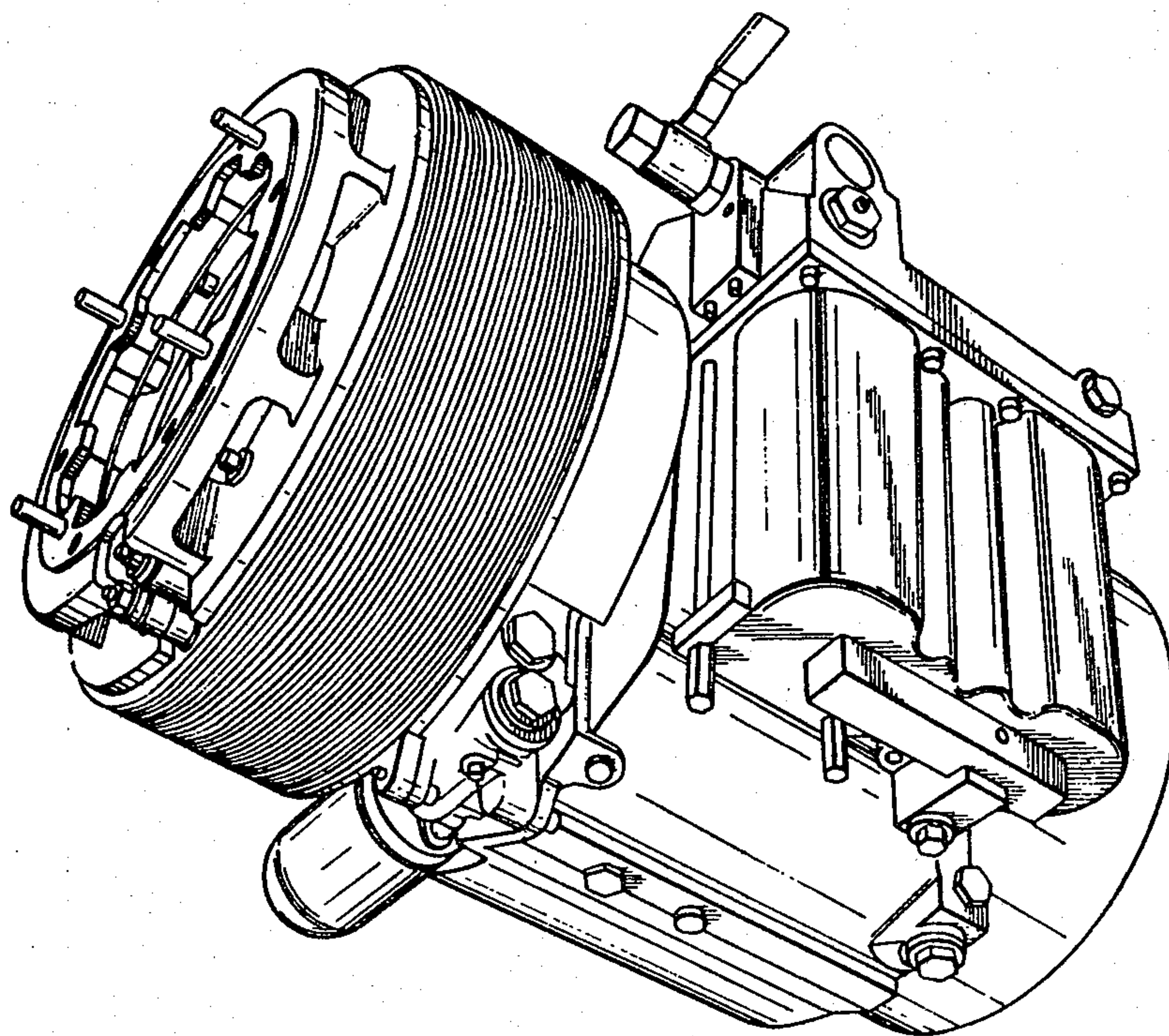


FIG. 8