

[54] ROTARY LAWN MOWER

[75] Inventors: Philip R. Allen; Terence F. Porter, both of Auckland, New Zealand

[73] Assignee: Mason & Porter Limited, Auckland, New Zealand

[**] Term: 14 Years

[21] Appl. No.: 171,847

[22] Filed: Jul. 24, 1980

[30] Foreign Application Priority Data

Apr. 16, 1980 [NZ] New Zealand 16510

[52] U.S. Cl. D15/14

[58] Field of Search D15/14; 56/13.4, 16.7, 56/17.1, 17.2, 17.5

[56] References Cited

U.S. PATENT DOCUMENTS

D. 177,553 5/1956 Cataline et al. D15/14

D. 232,117 7/1974 Cognata D15/14

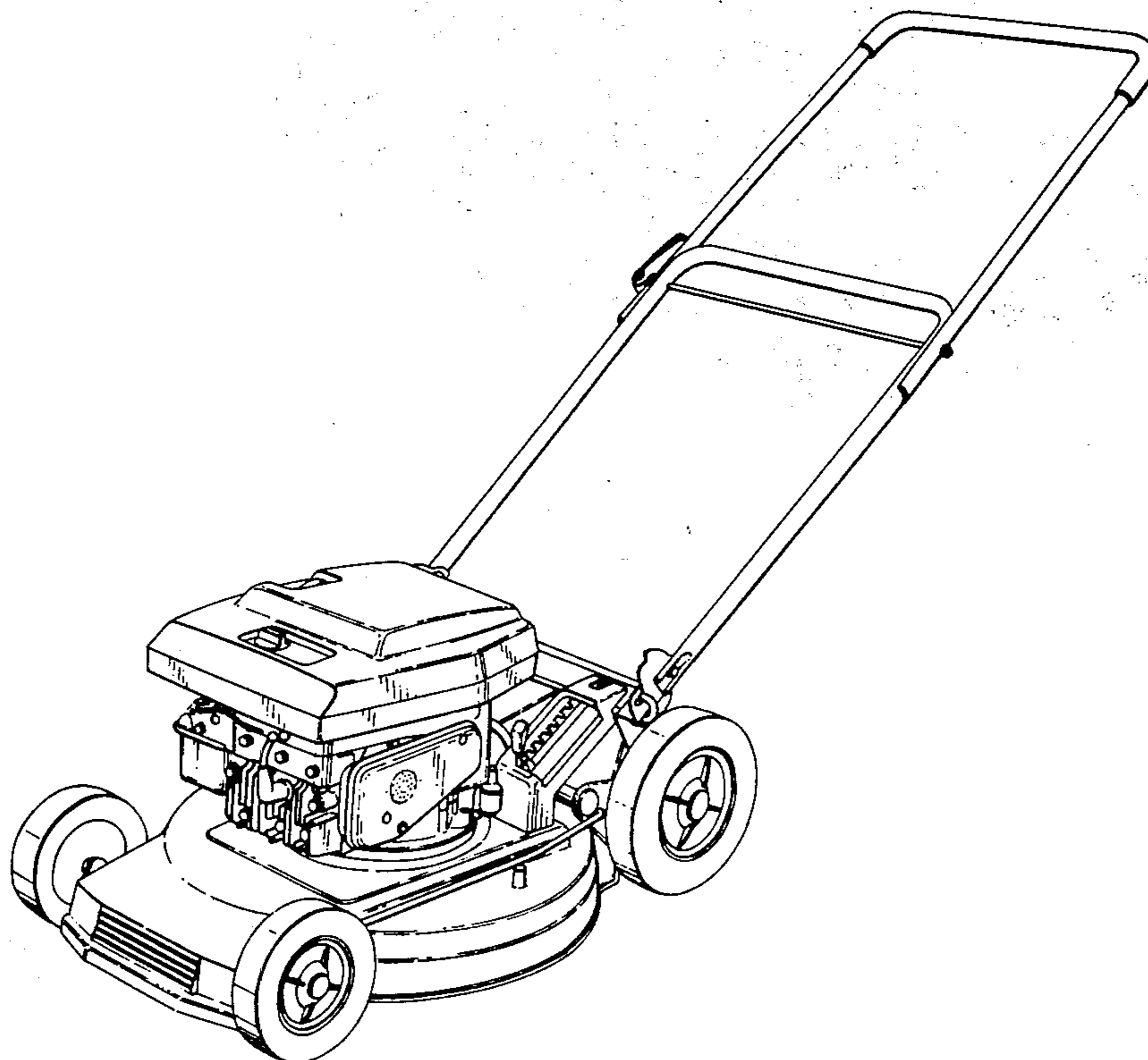
Primary Examiner—James M. Gandy
Attorney, Agent, or Firm—Holman & Stern

[57] CLAIM

The ornamental design for a rotary lawn mower, as shown and described.

DESCRIPTION

FIG. 1 is a front perspective view from above and to one side of a rotary lawn mower embodying our design, FIG. 2 is a front perspective view from above and the other side thereof; and FIG. 3 is a rear perspective view thereof.



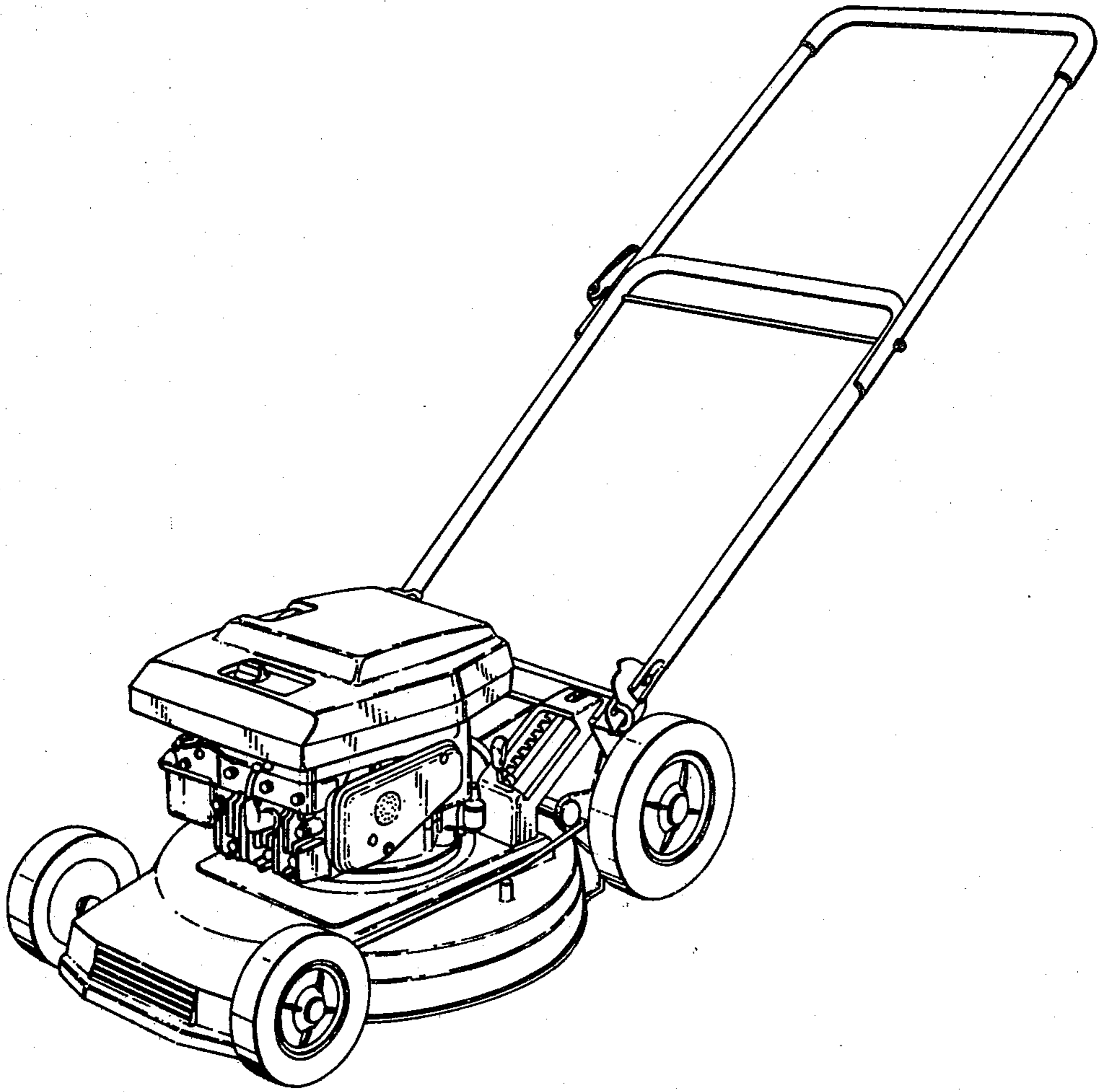


Fig. 1.

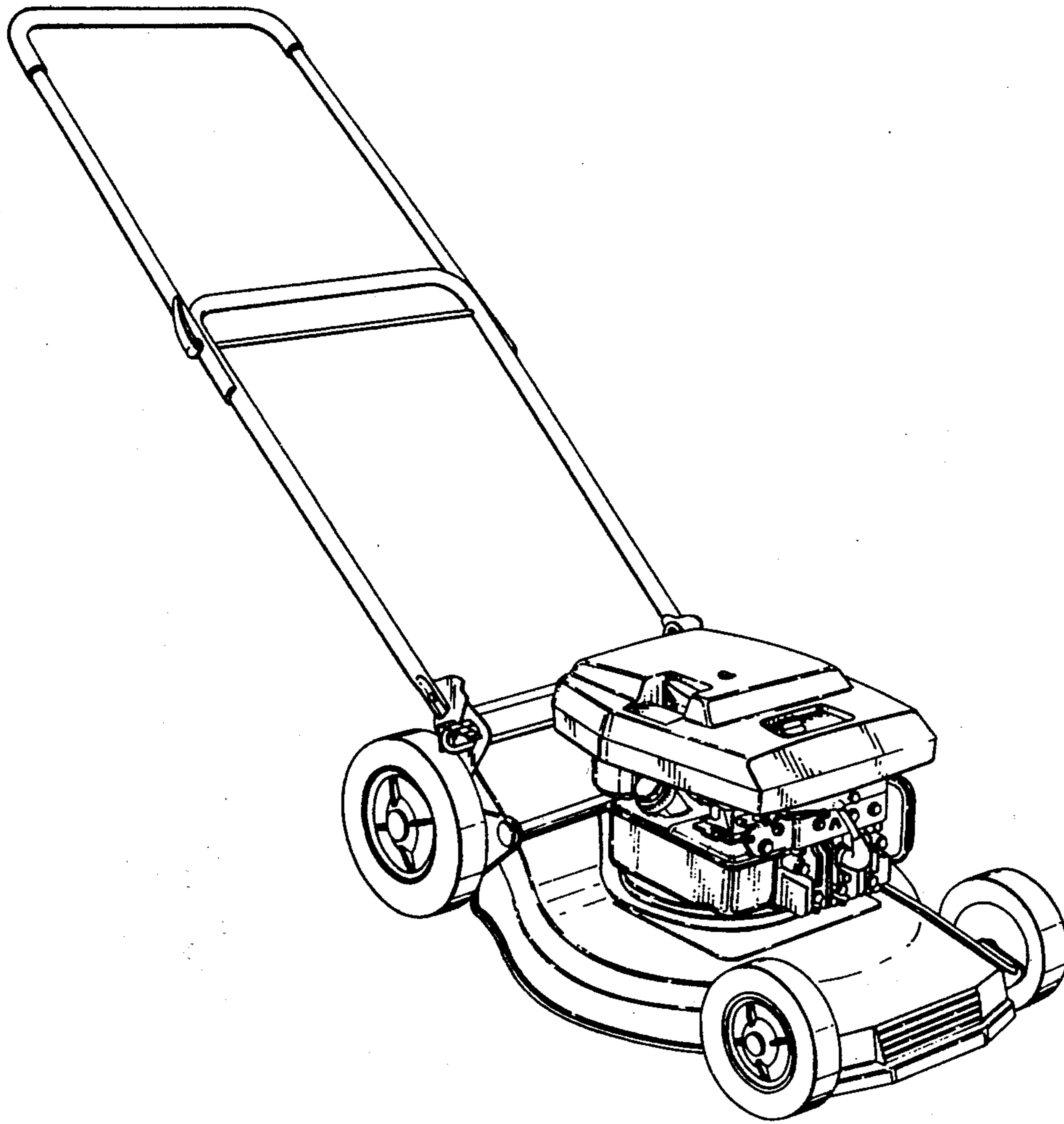


Fig .2.

FIG. 3

