

- [54] TELEPHONE HANDSET TRANSMITTER CUP
- [75] Inventor: Wesley F. Walker, Jr., Ringgold, Ga.
- [73] Assignee: Walker Equipment Corporation, Ringgold, Ga.
- [\*\*] Term: 14 Years
- [21] Appl. No.: 346,822
- [22] Filed: Feb. 8, 1982
- [52] U.S. Cl. .... D14/67; D14/59
- [58] Field of Search ..... D14/66, 59, 67; 179/121 D, 111 E, 187, 122, 180; 381/91

3,660,602	5/1972	Thompson .....	179/180 X
3,830,988	8/1974	Mol et al. ....	179/187
4,009,355	2/1977	Poradowski .....	179/121 D
4,385,209	5/1983	Greason et al. ....	179/111 E

Primary Examiner—Bernard Ansher  
 Attorney, Agent, or Firm—Seidel, Gonda & Goldhammer

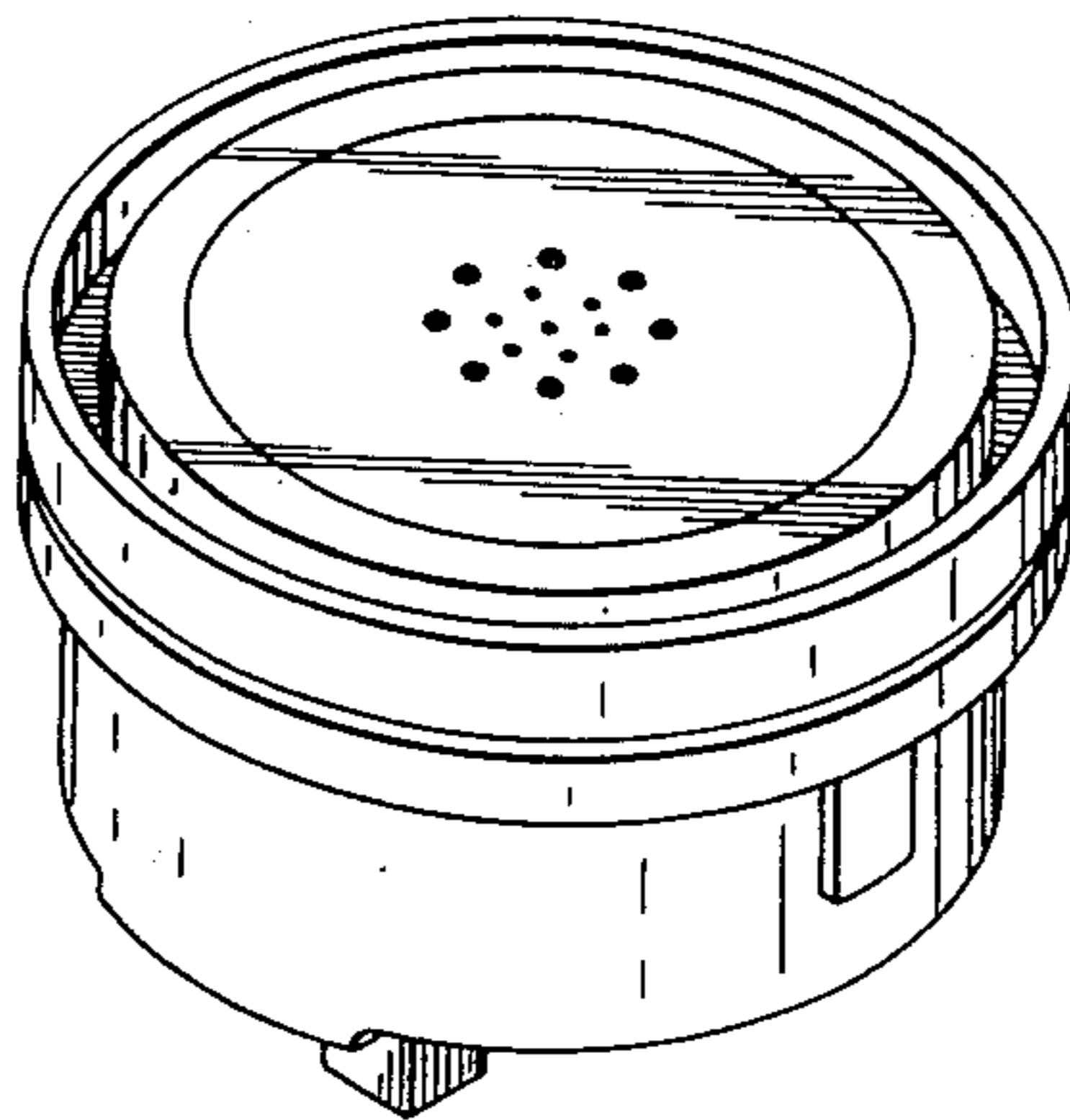
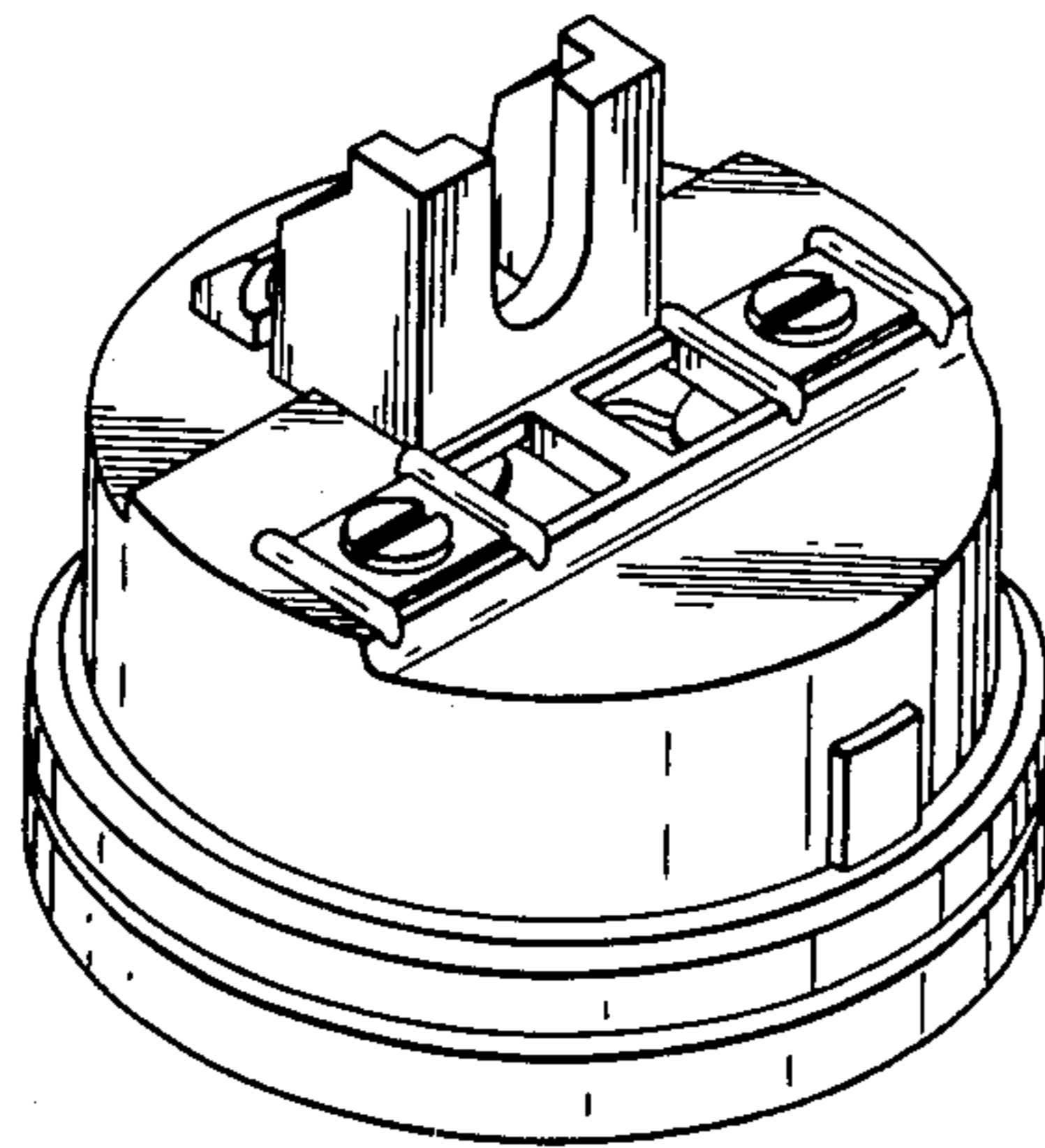
[57] CLAIM

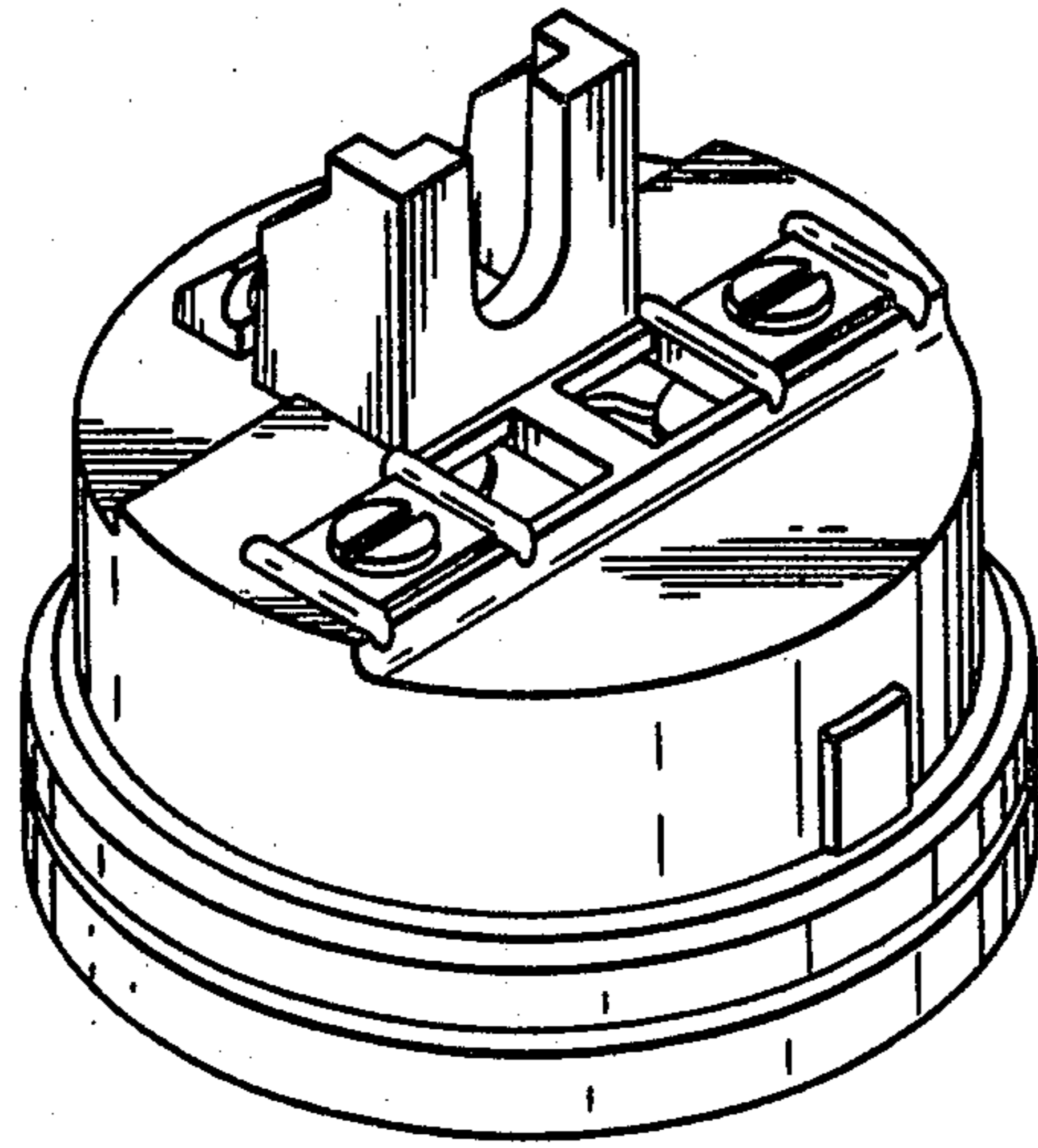
The ornamental design for a telephone handset transmitter cup, substantially as shown and described.

DESCRIPTION

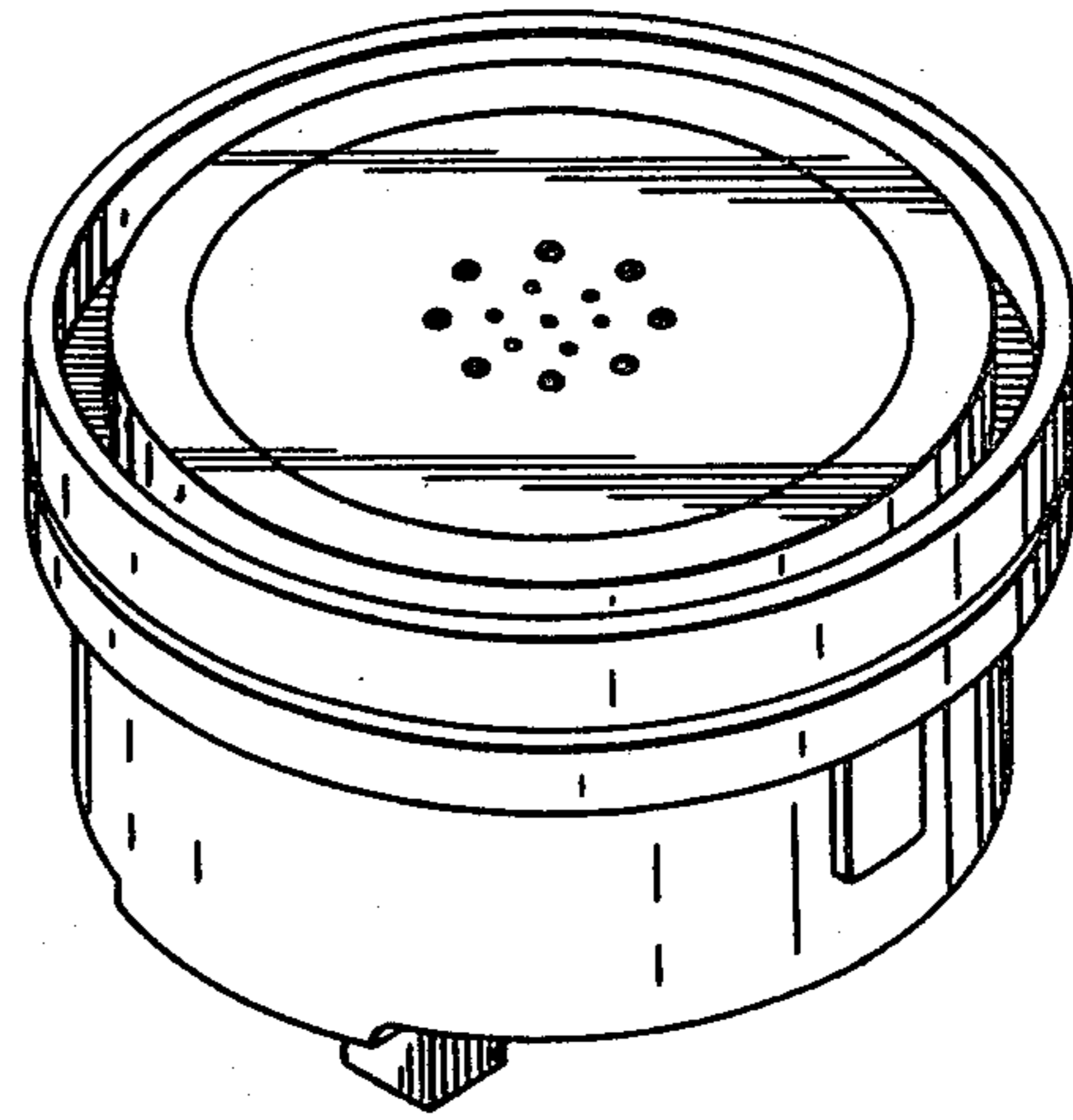
FIG. 1 is a perspective view of the bottom of a telephone handset transmitter cup in accordance with my new design;  
 FIG. 2 is a perspective view of the top thereof;  
 FIG. 3 is a right side elevation view thereof, the left side elevation being identical;  
 FIG. 4 is a rear elevational view thereof;  
 FIG. 5 is a front elevational view thereof;  
 FIG. 6 is a bottom plan view thereof; and  
 FIG. 7 is a top plan view thereof.

- [56] References Cited
- U.S. PATENT DOCUMENTS
- D. 68,060 8/1925 Pacent ..... D14/67
- D. 185,520 6/1959 Van Den Berg ..... D14/67
- D. 214,628 7/1969 Kahn ..... D14/67
- D. 248,650 7/1978 Bellenger et al. .... D14/67 X
- 2,118,993 5/1938 Volf ..... 179/122
- 2,431,022 11/1947 Brodie ..... 179/122

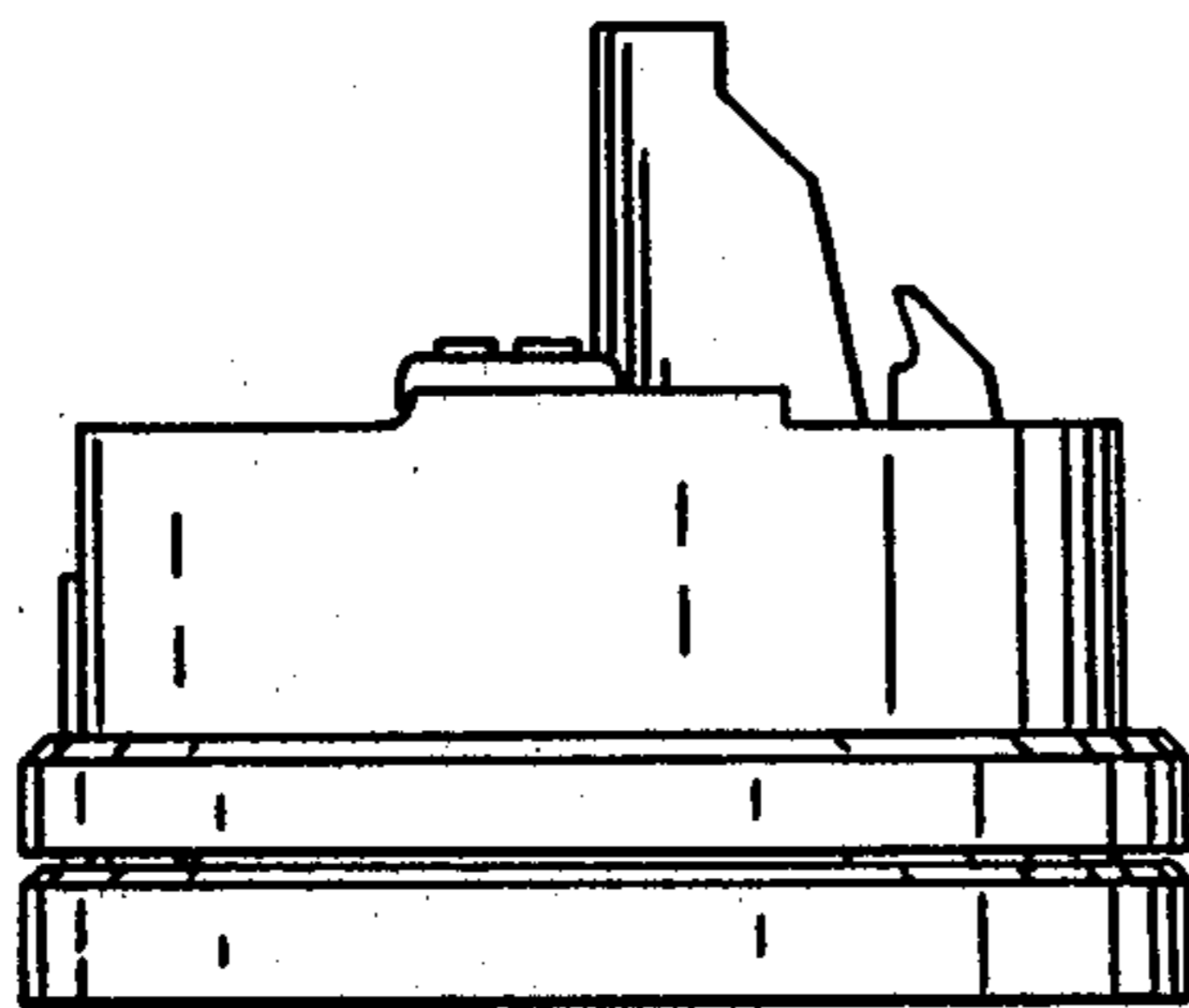




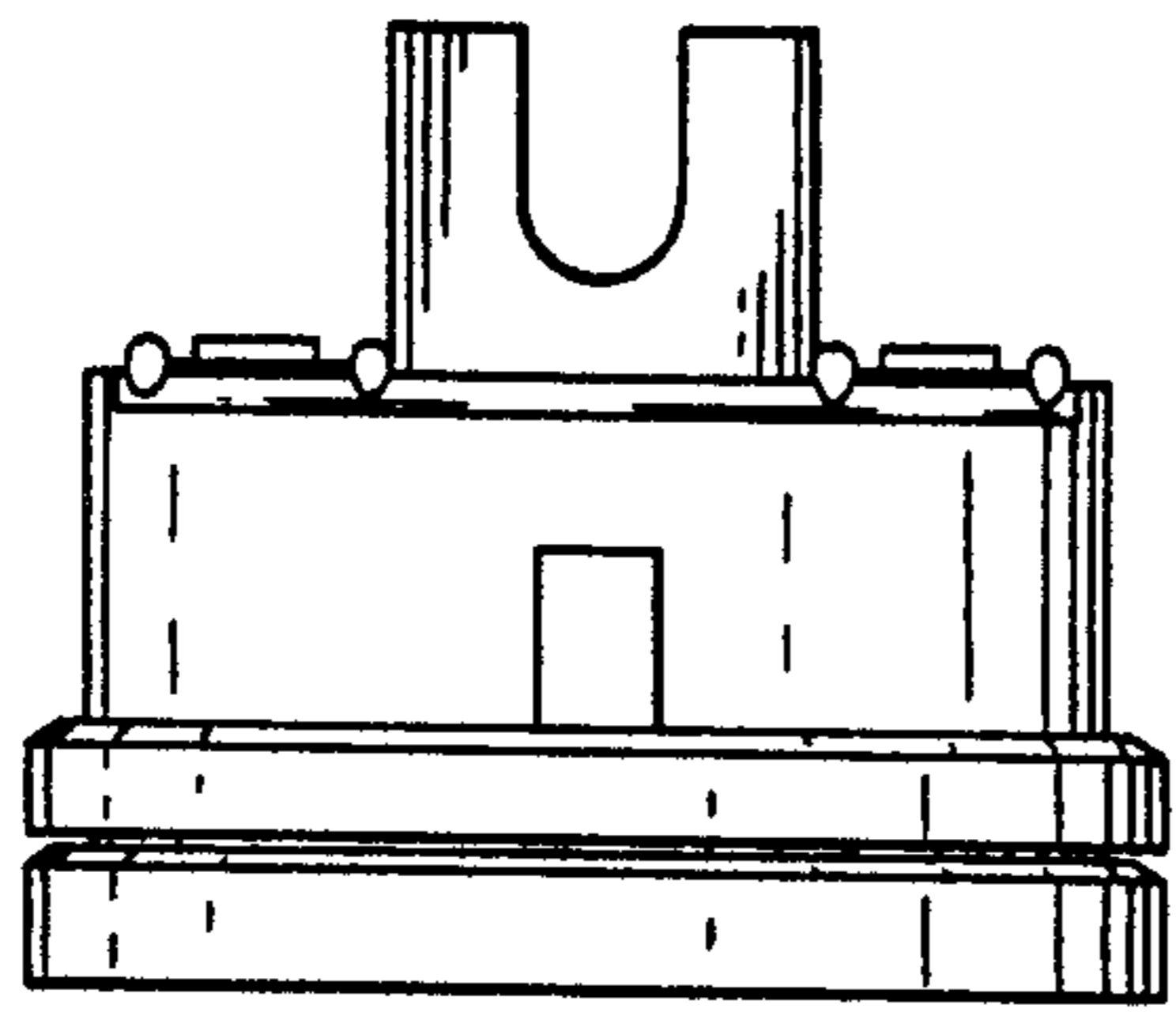
*FIG. 1*



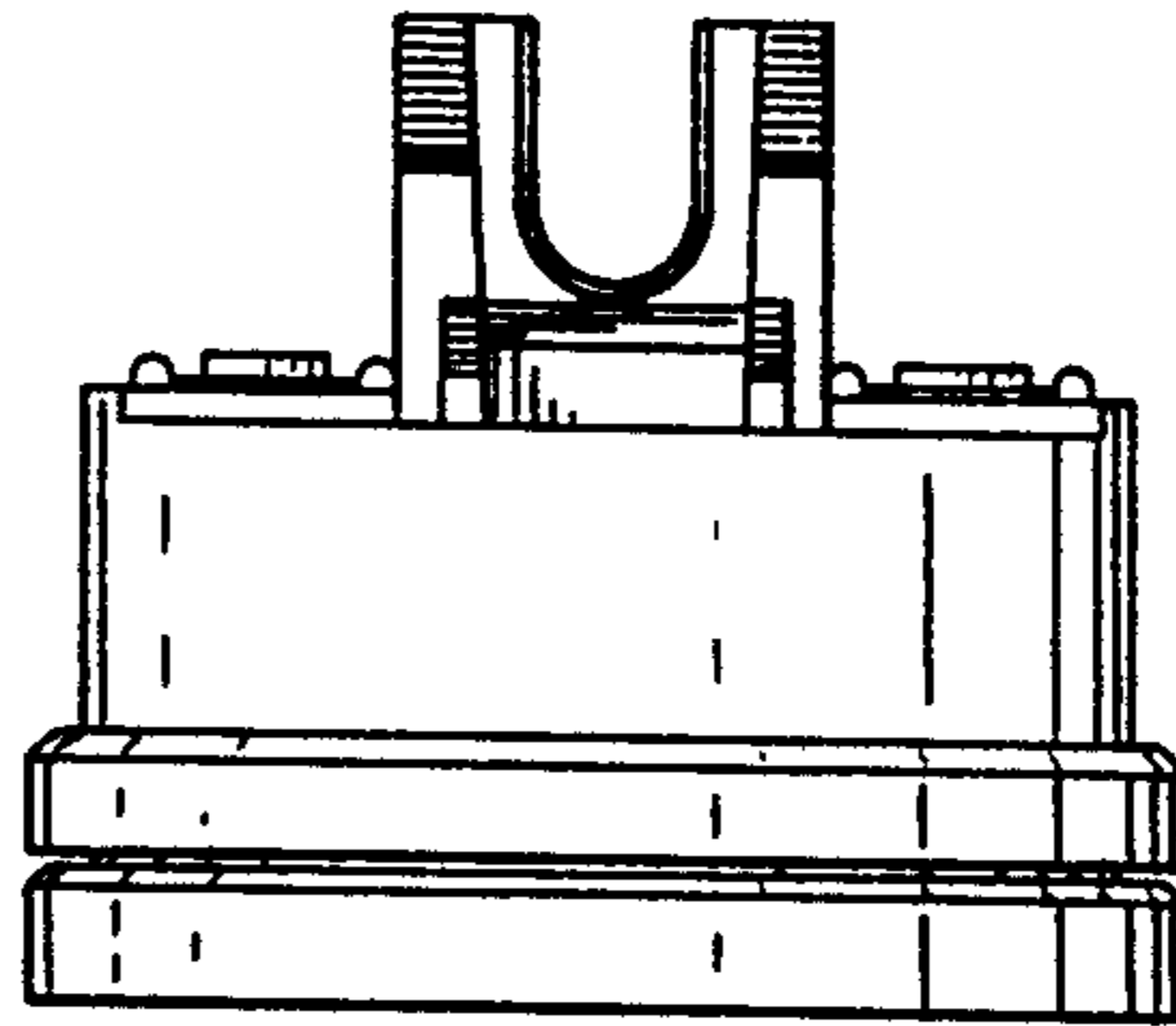
*FIG. 2*



*FIG. 3*

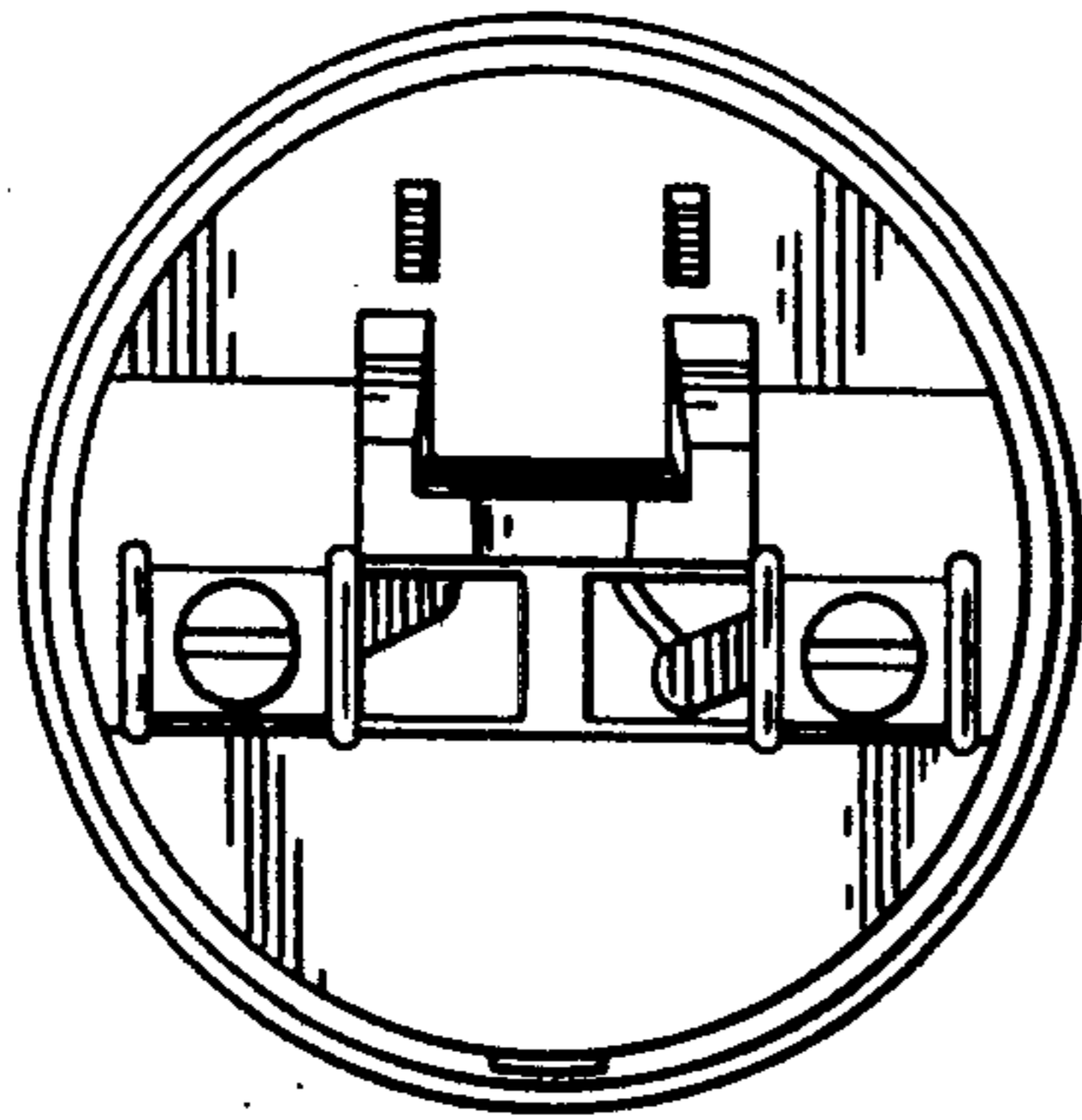


**FIG. 4**



**FIG. 5**

**FIG. 6**



**FIG. 7**

