

[54] RAILWAY TIE HOLDER

[75] Inventor: Garwood N. Burwell, Madison, N.J.

[73] Assignee: The Rails Company, Maplewood, N.J.

[**] Term: 14 Years

[21] Appl. No.: 314,556

[22] Filed: Oct. 26, 1981

[52] U.S. Cl. D12/51

[58] Field of Search 238/1, 349, 310, 338; D12/51

[56] References Cited

U.S. PATENT DOCUMENTS

D. 257,557	11/1980	Rex	D12/51
1,252,620	1/1918	Smith	238/349 X
3,429,505	2/1969	Newton	238/349
3,552,649	1/1971	Burwell	238/310

FOREIGN PATENT DOCUMENTS

153450 11/1920 United Kingdom 238/349

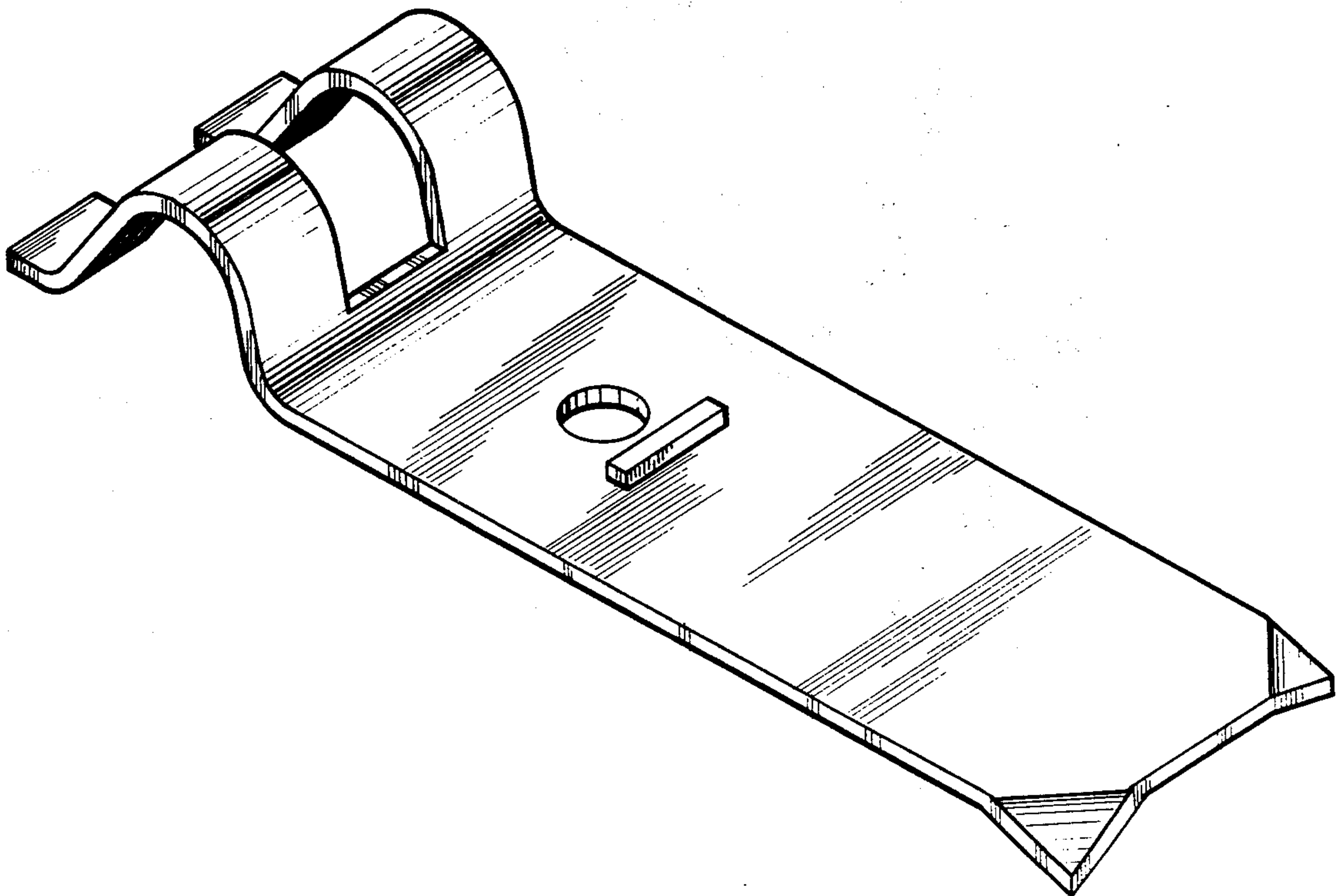
Primary Examiner—Catherine E. Kemper
Attorney, Agent, or Firm—Weingram & Klauber

[57] CLAIM

The ornamental design for a railway tie holder, substantially as shown and described.

DESCRIPTION

FIG. 1 is a perspective view of a railway tie holder, showing my new design;
 FIG. 2 is a top plan view thereof;
 FIG. 3 is a side elevational view thereof;
 FIG. 4 is an end elevational view thereof;
 FIG. 5 is a bottom plan view thereof;
 FIG. 6 is an elevational view of the side opposite that shown in FIG. 3;
 FIG. 7 is an elevational view of the end opposite that shown in FIG. 4.



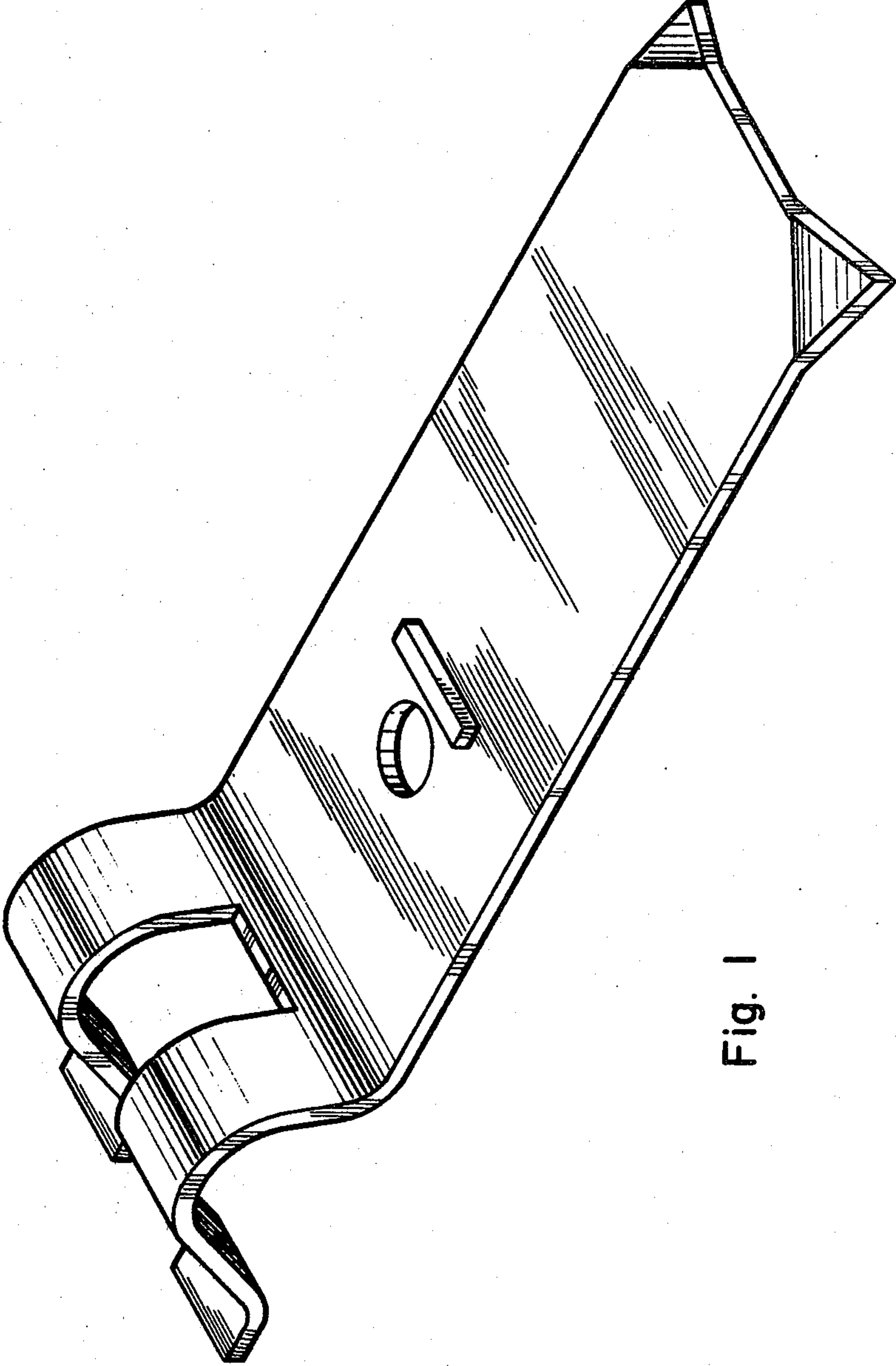


Fig. 1

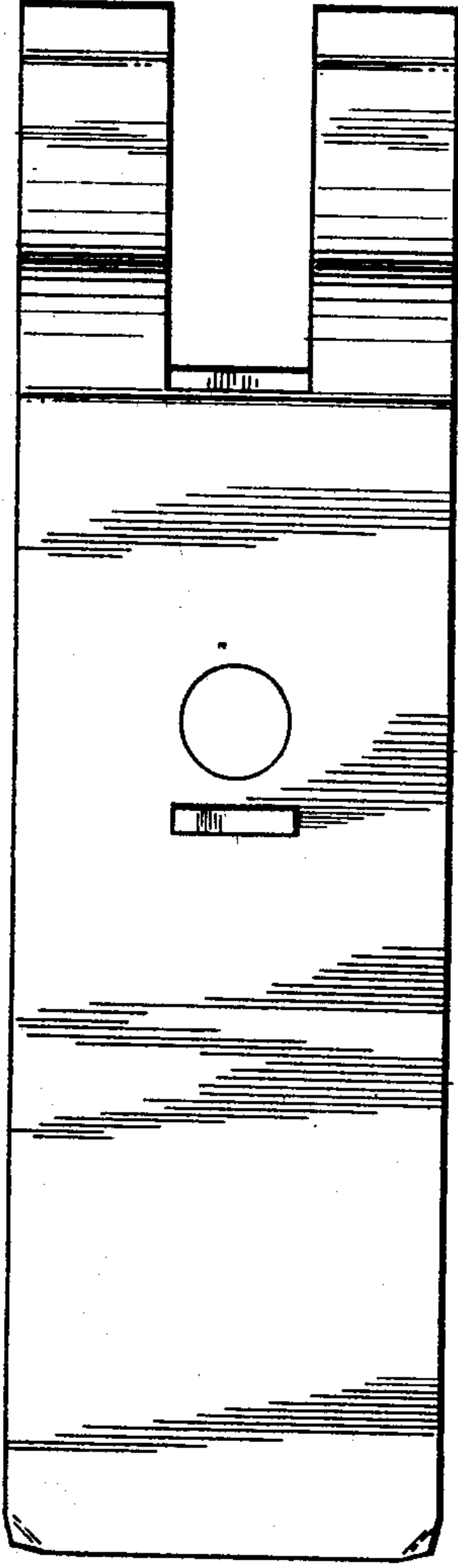


Fig. 2

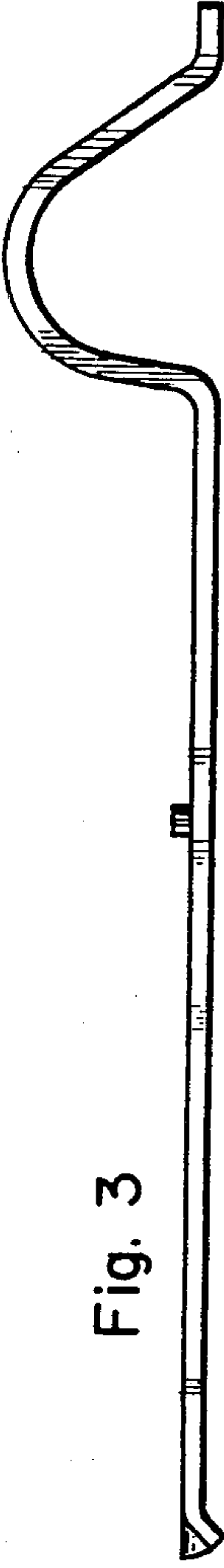


Fig. 3

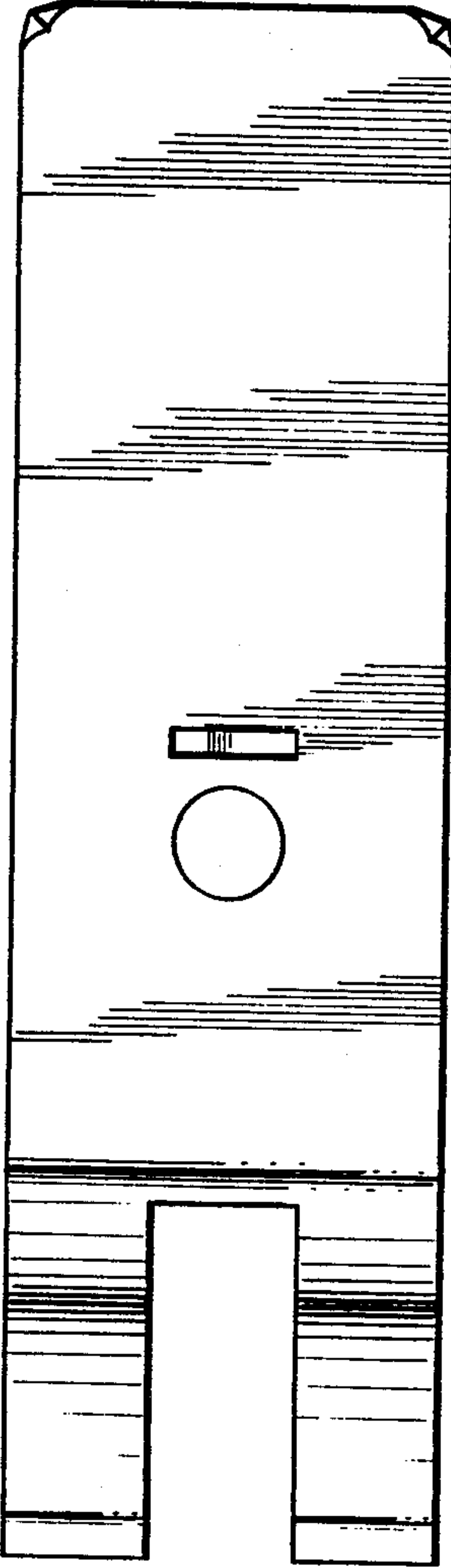


Fig. 5

Fig. 4

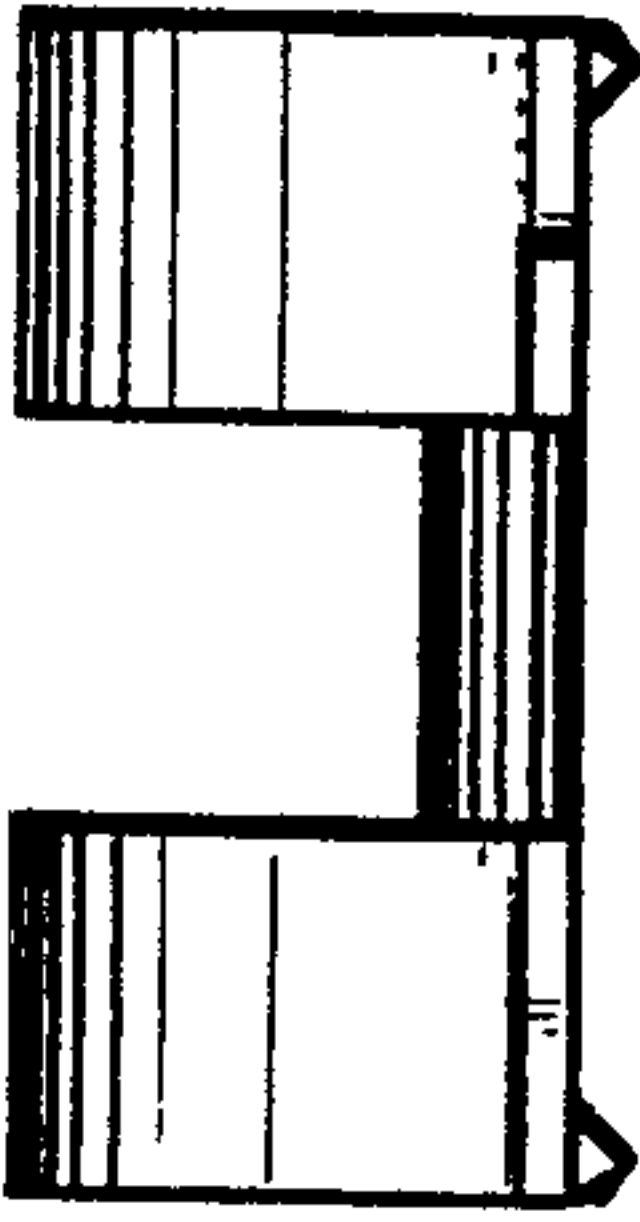


Fig. 7

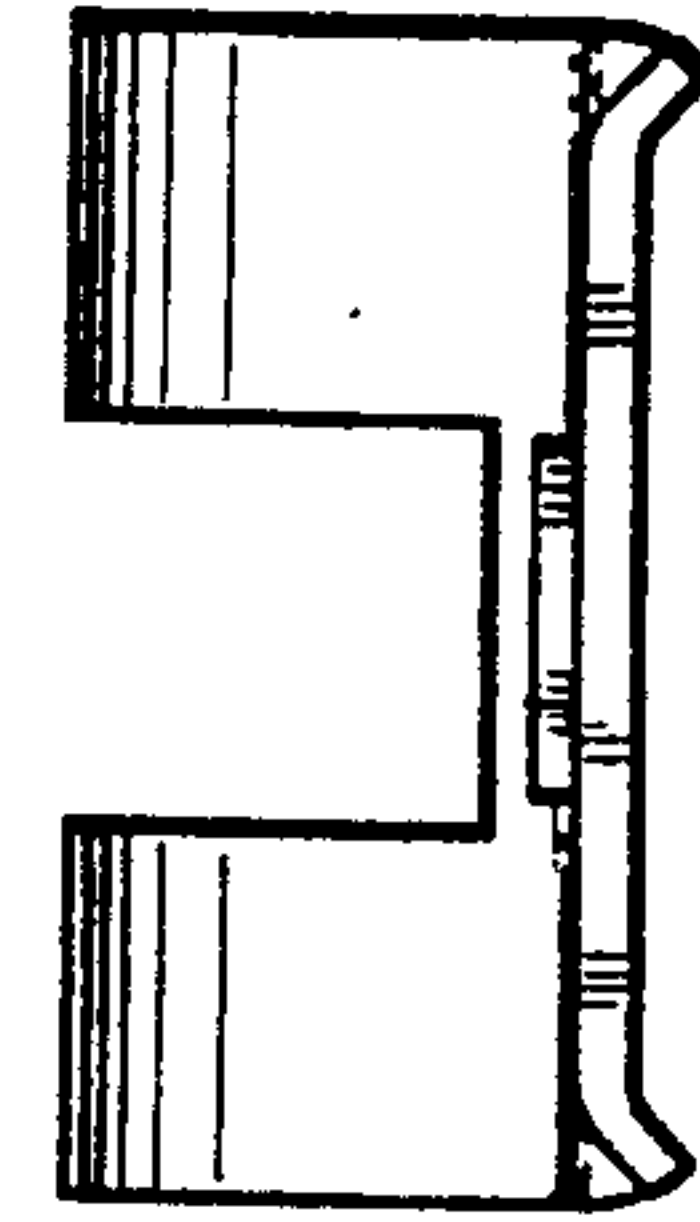


Fig. 6

