

[54] DISPLAY BOX FOR A WATCH
[75] Inventor: Bernard Fernandez, Douglaston Manor, N.Y.
[73] Assignee: E. Gluck Corporation, Long Island City, N.Y.
[**] Term: 14 Years
[21] Appl. No.: 344,596
[22] Filed: Feb. 1, 1982
[52] U.S. Cl. D9/423; D3/78
[58] Field of Search D9/420-424; D19/75, 76; D3/75, 78; 206/44 R, 45.11, 45.14; 220/334-339; 229/6 R, 41 B

D. 234,683 4/1975 Rackacs D9/423
D. 256,029 7/1980 Hampshire et al. D19/76
D. 263,797 4/1982 Beauchamp D9/424
4,002,287 1/1977 Saveth 229/41 B

Primary Examiner—George P. Word
Attorney, Agent, or Firm—Gottlieb, Rackman & Reisman

[57] CLAIM

The ornamental design for a display box for a watch, as shown and described.

DESCRIPTION

FIG. 1 is a front perspective view of a display box for a watch showing my new design;
FIG. 2 is a top plan view thereof;
FIG. 3 is a front elevational view thereof;
FIG. 4 is a right side elevational view thereof;
FIG. 5 is a rear elevational view thereof;
FIG. 6 is a bottom plan view thereof; and
FIG. 7 is a perspective view similar to FIG. 1 with the lid open.

[56] References Cited
U.S. PATENT DOCUMENTS

D. 130,273 11/1941 Jensen D9/423
D. 201,645 7/1965 Braun D9/423
D. 234,339 2/1975 Shiffman D9/420

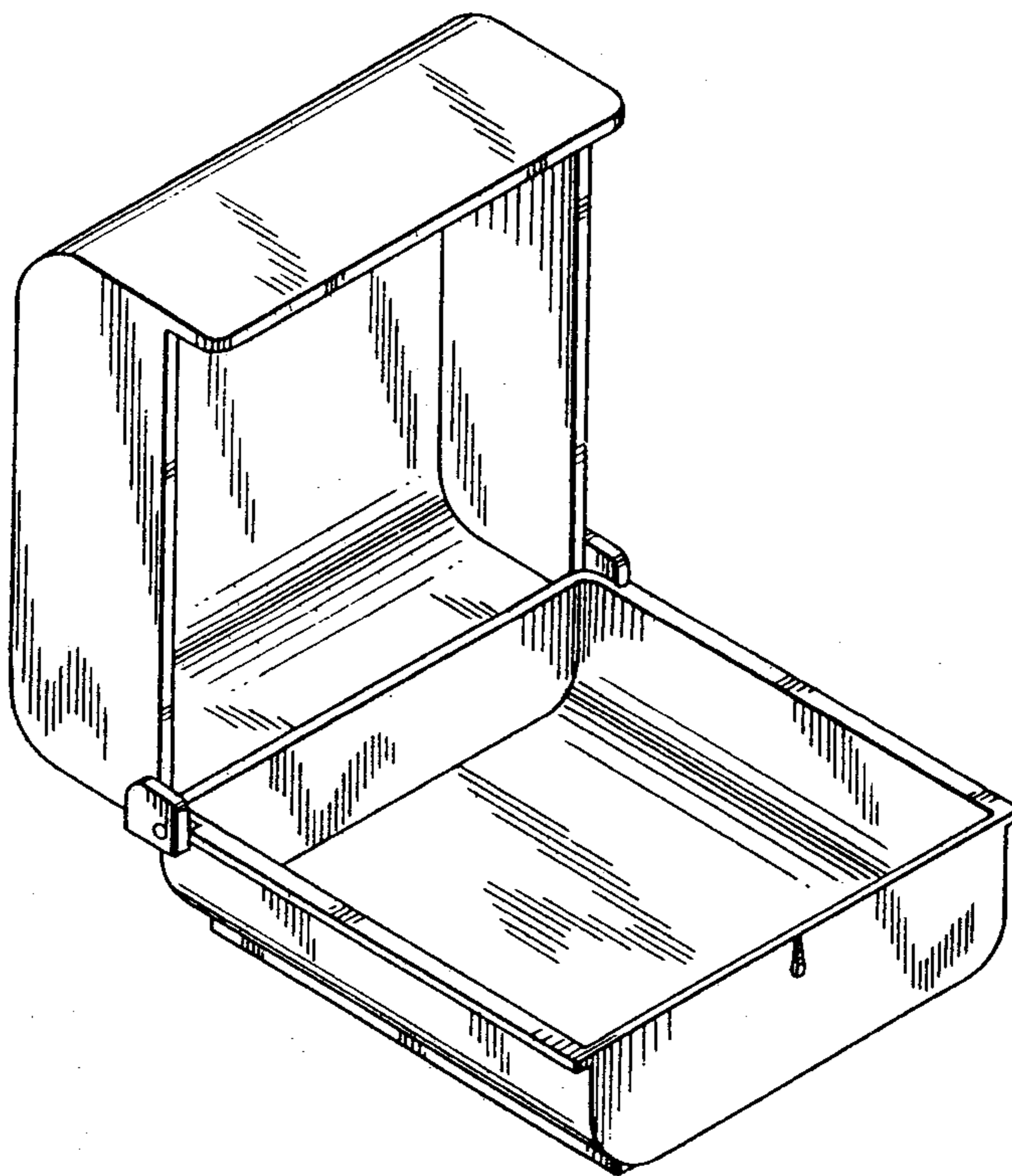


FIG. 1

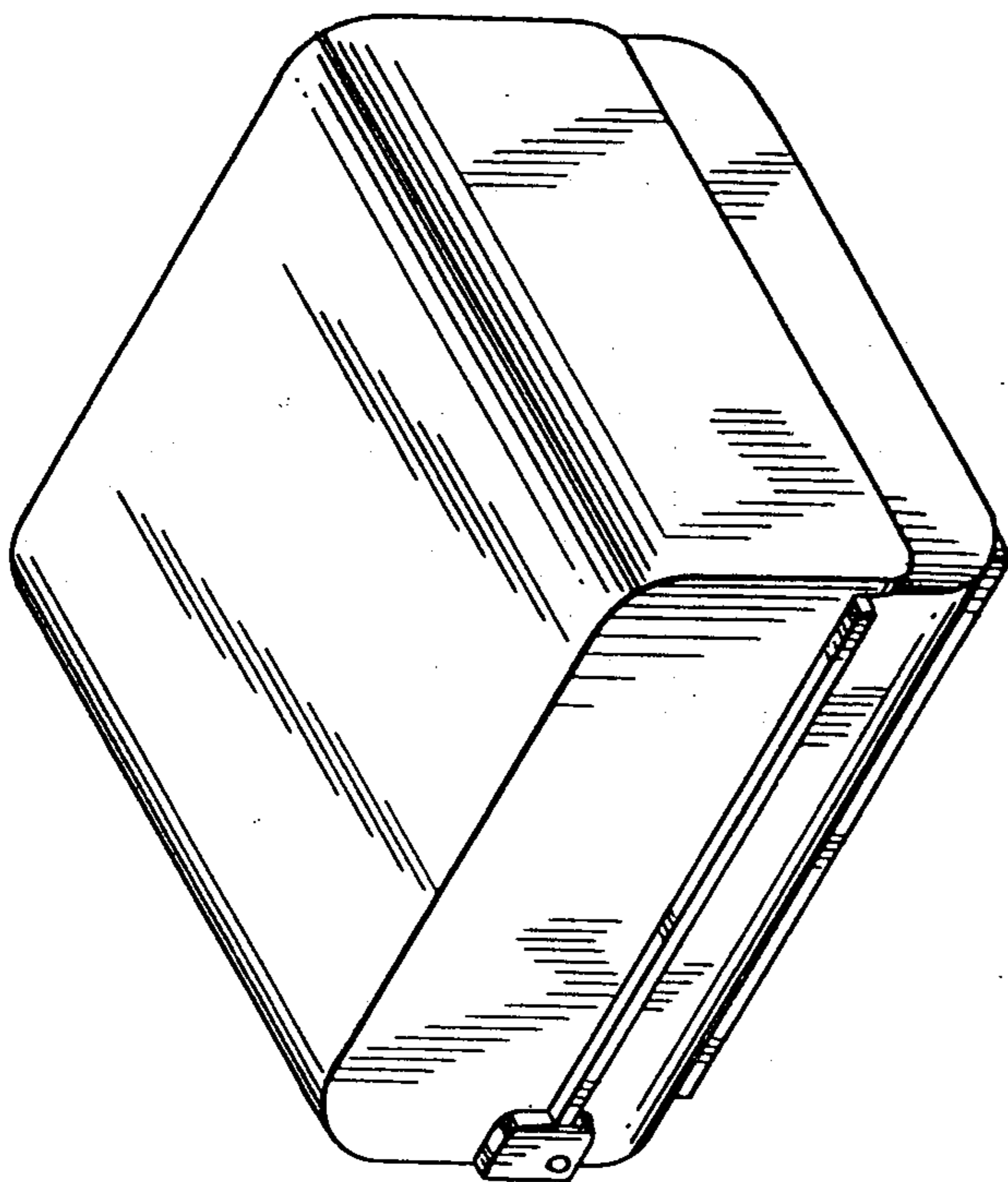


FIG. 4

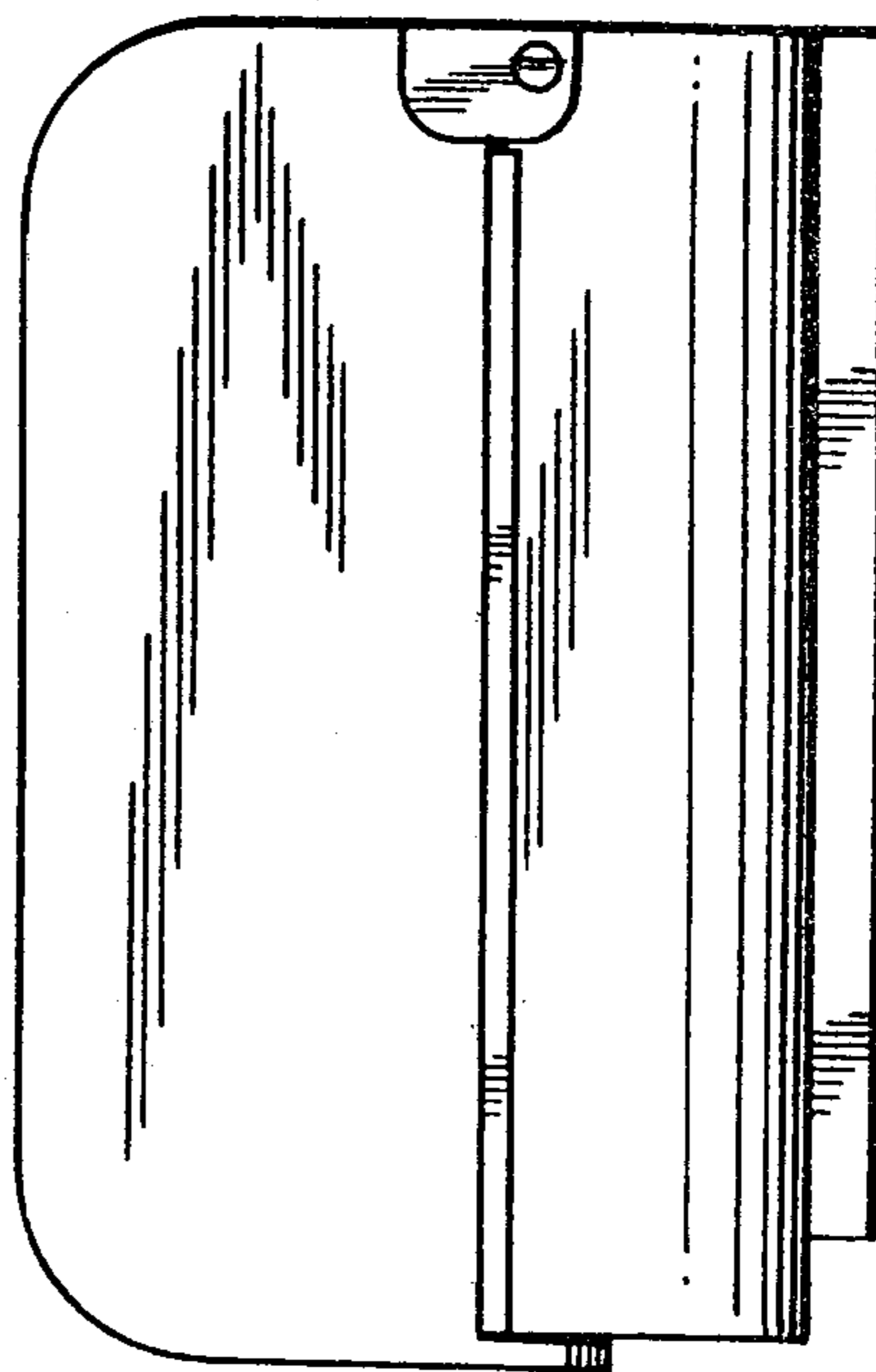


FIG. 2

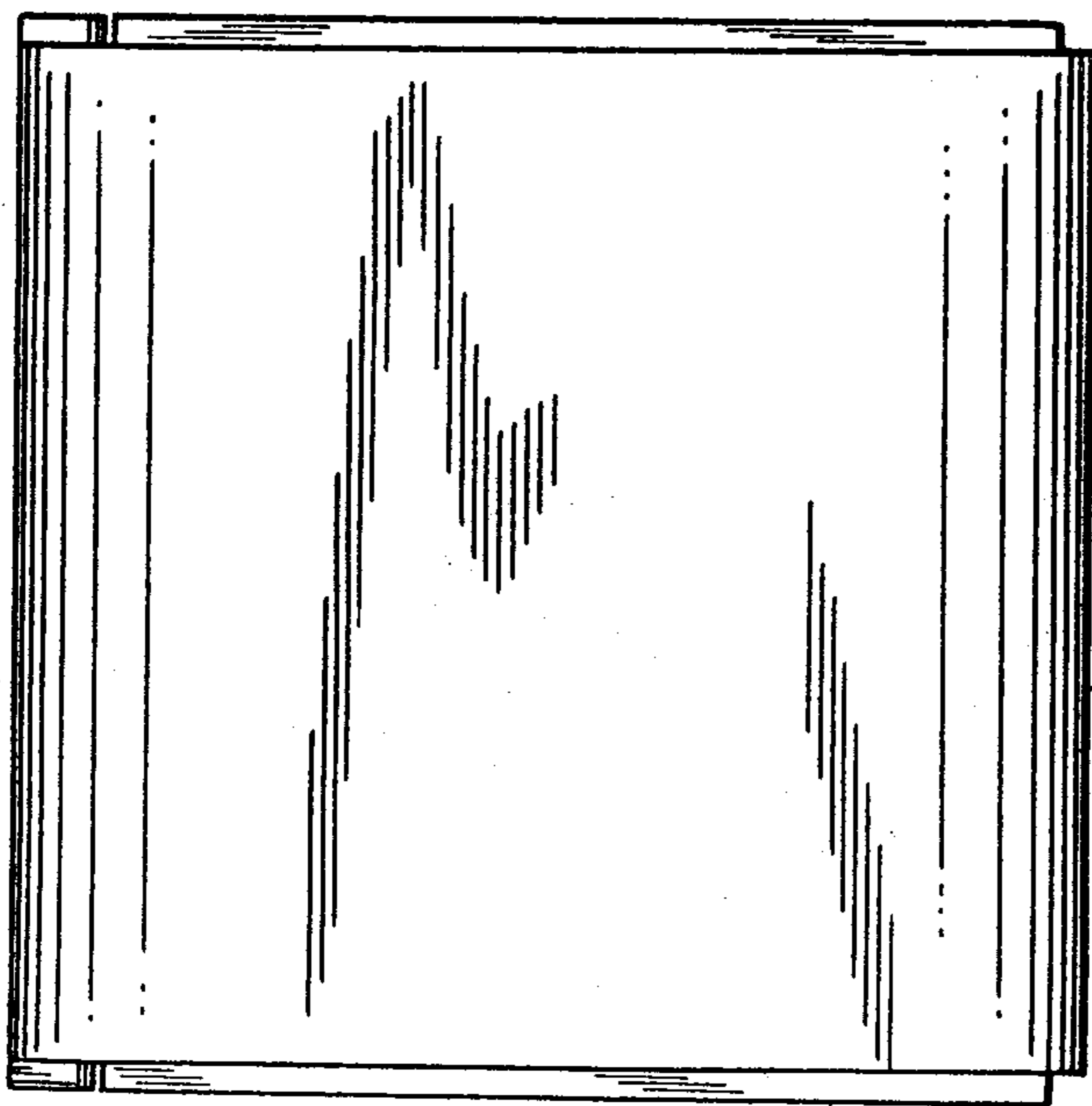


FIG. 3



FIG. 7

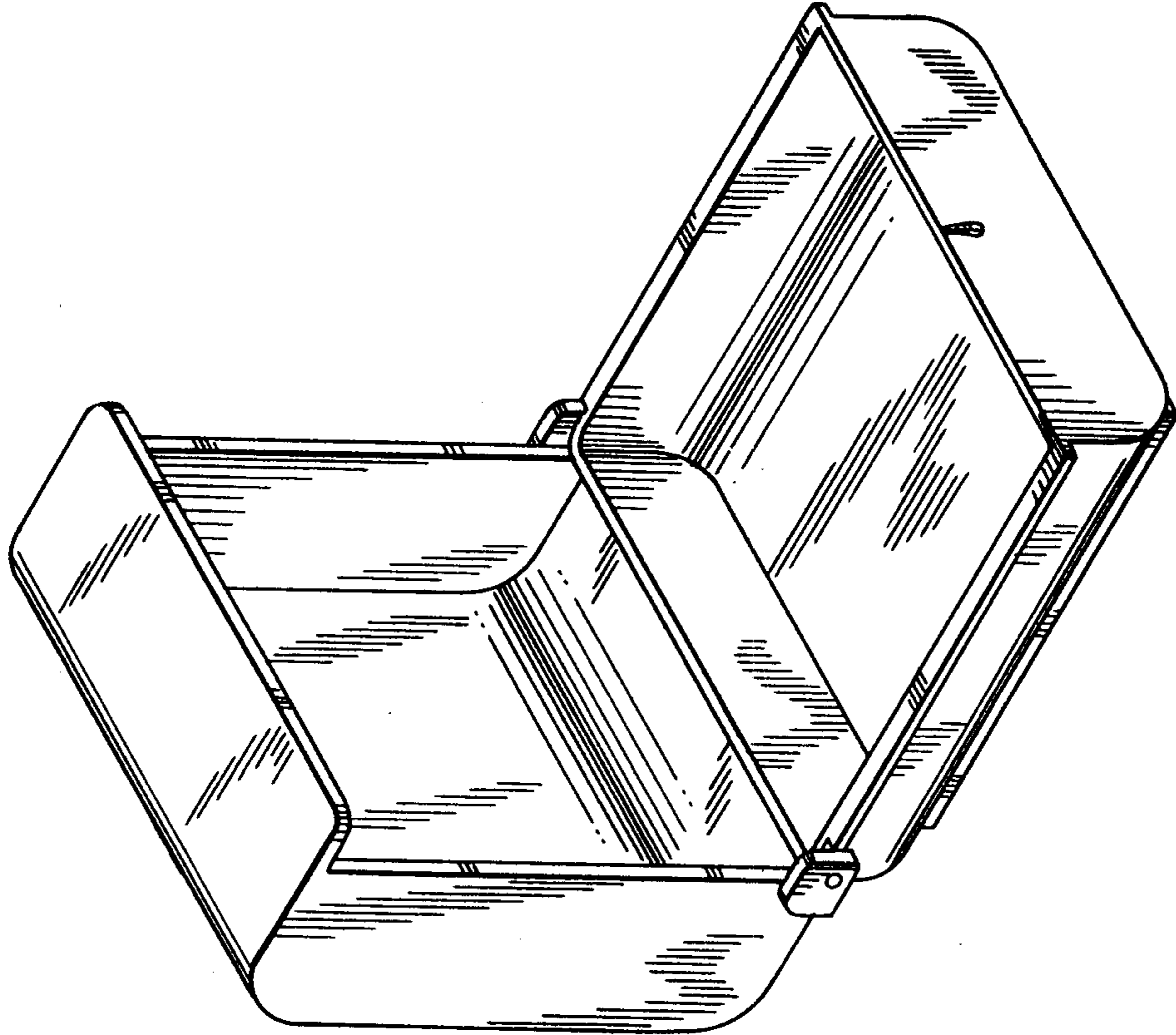


FIG. 5

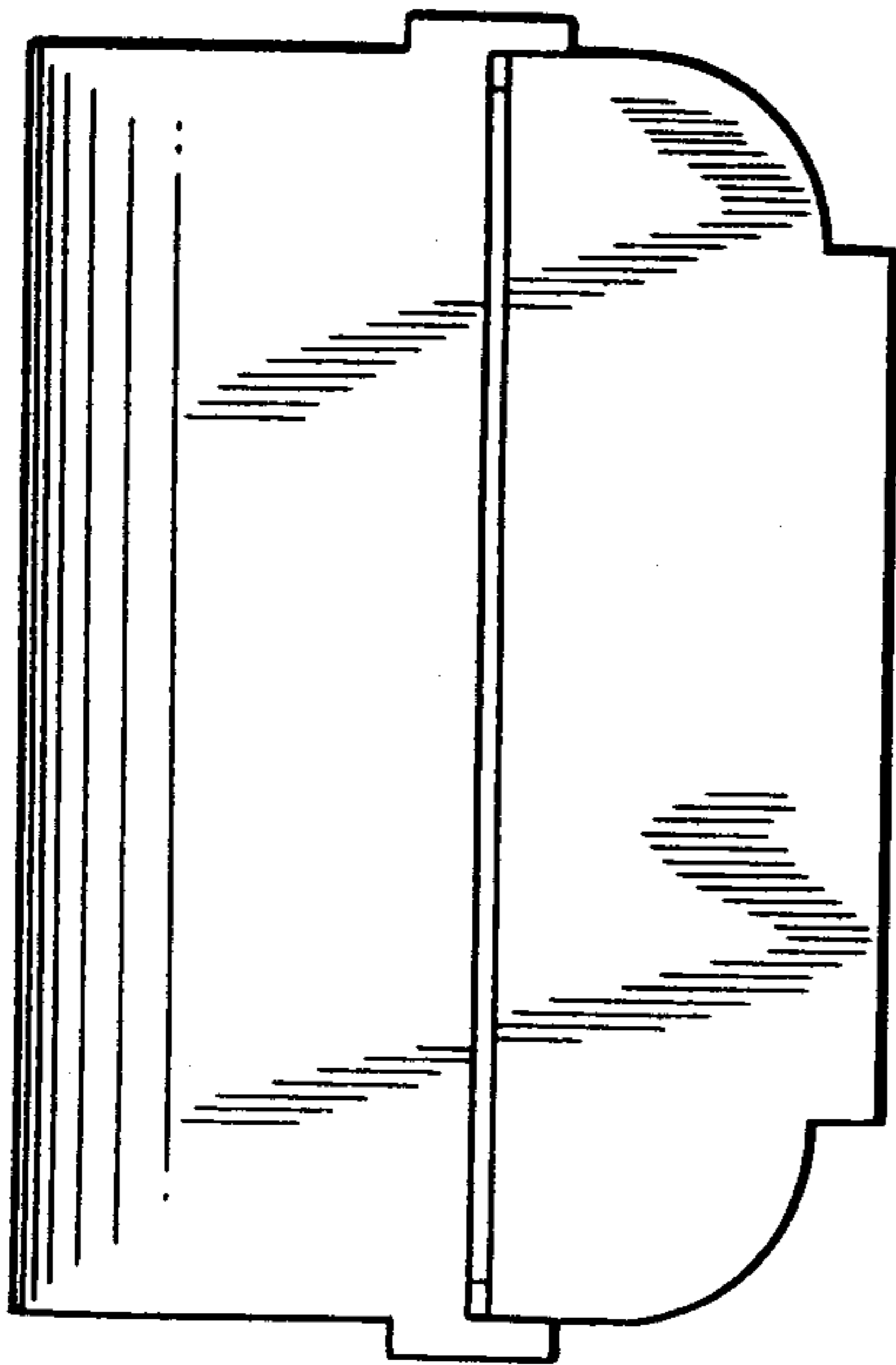


FIG. 6

