

[54] **INSULATED CASE FOR BEVERAGE CONTAINERS**
[75] Inventor: Michael W. Hill, Marshalltown, Iowa
[73] Assignee: Ehco, Inc., Des Moines, Iowa
[**] Term: 14 Years
[21] Appl. No.: 374,340
[22] Filed: May 3, 1982
[52] U.S. Cl. D7/77
[58] Field of Search D7/76, 77, 16, 3; D9/399

D. 235,080 5/1975 Verona D9/399 X
1,194,466 8/1916 Berg D7/76 X
3,401,535 9/1968 Palmer D7/77 X

Primary Examiner—Winifred E. Herrmann
Attorney, Agent, or Firm—Zarley, McKee, Thomte, Voorhees & Sease

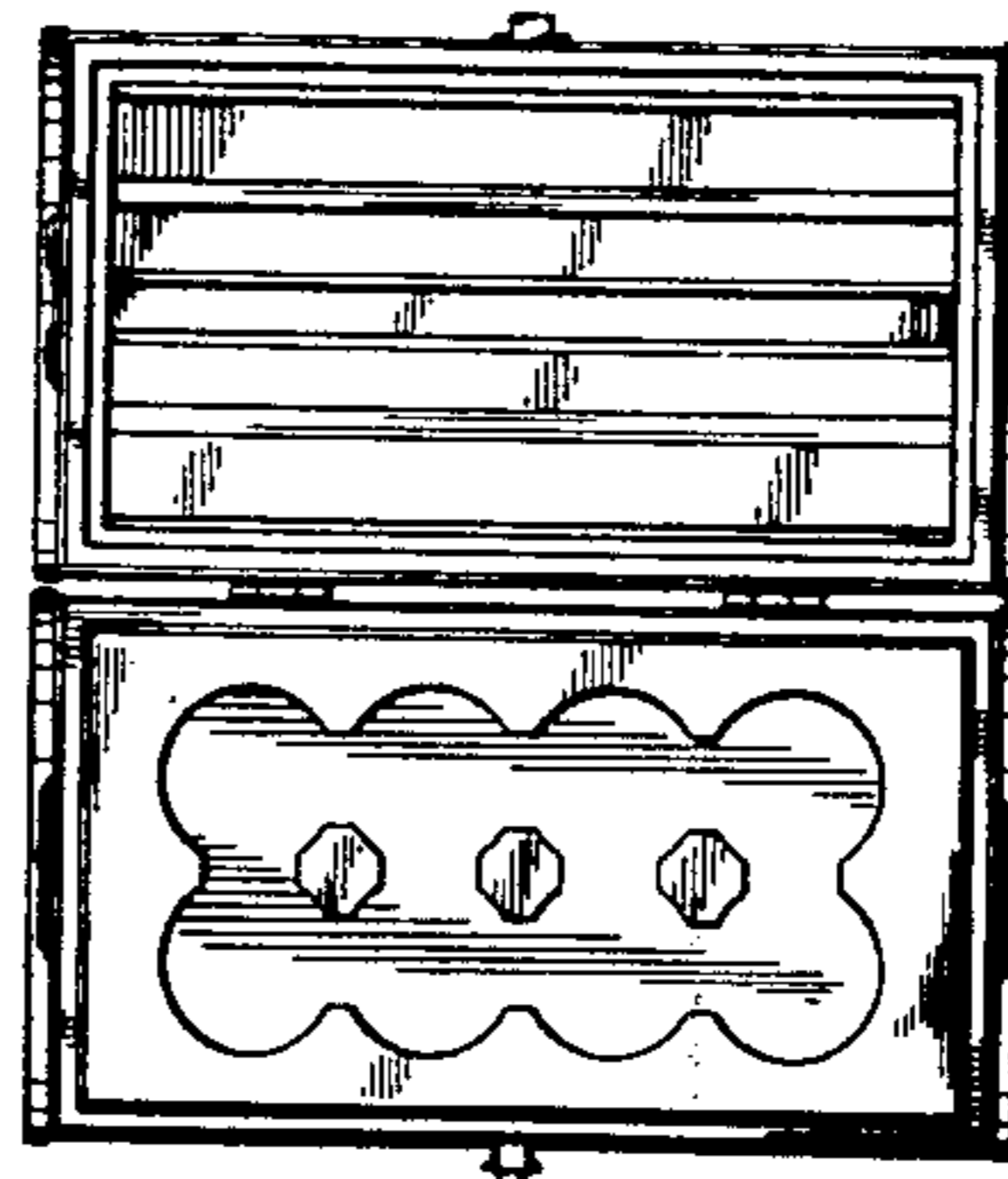
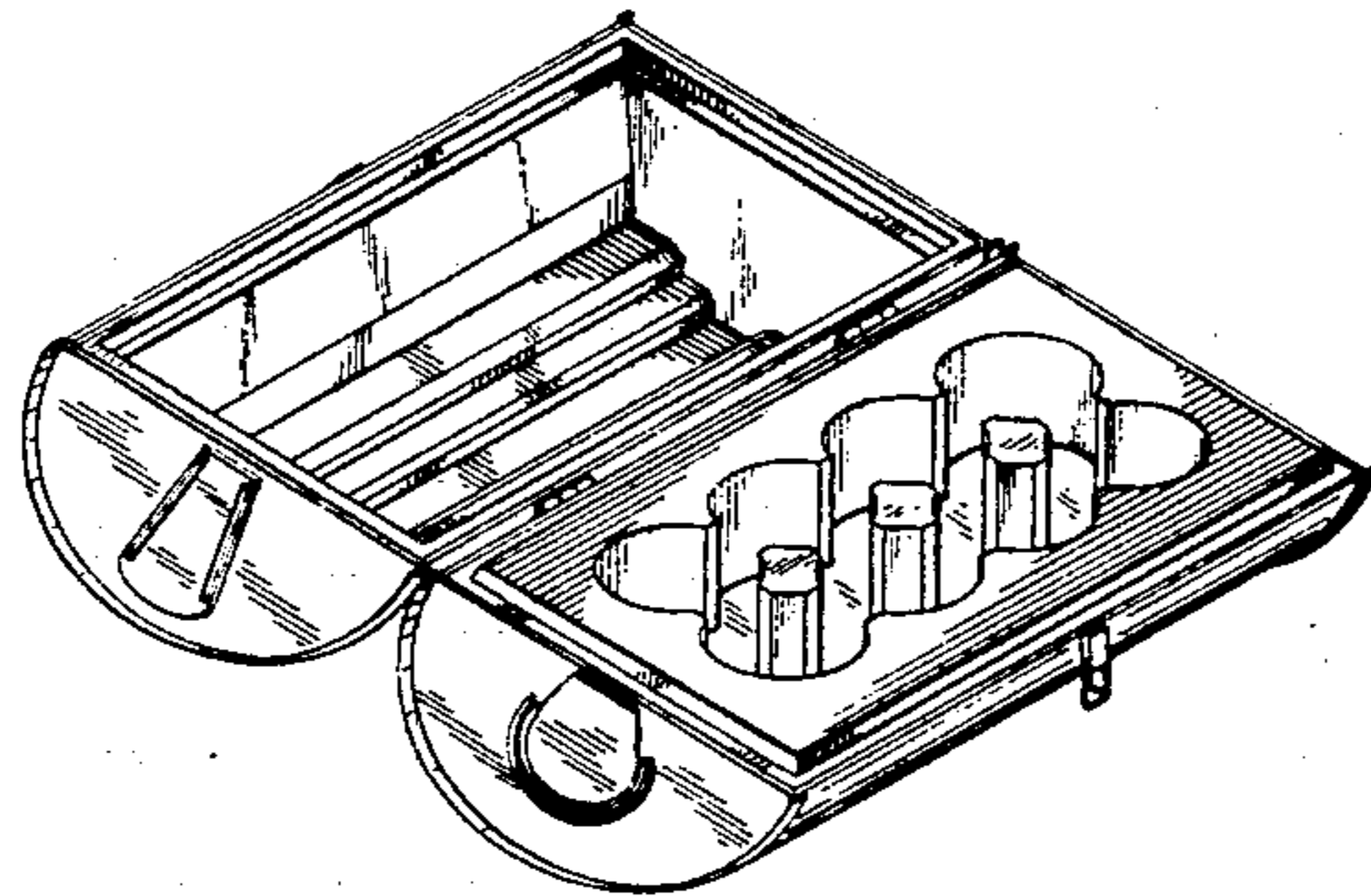
[57] **CLAIM**

The ornamental design for an insulated case for beverage containers, as shown and described.

DESCRIPTION

FIG. 1 is a top perspective view of an insulated case for beverage containers showing my new design; FIG. 2 is a left end elevational view thereof, the right end being identical thereto; FIG. 3 is a bottom plan view thereof; FIG. 4 is a left side elevational view thereof; FIG. 5 is a top plan view thereof; and FIG. 6 is a right side elevational view thereof.

[56] **References Cited**
U.S. PATENT DOCUMENTS
D. 194,639 2/1963 Szantay D7/77
D. 198,949 8/1964 Yodesky D7/76



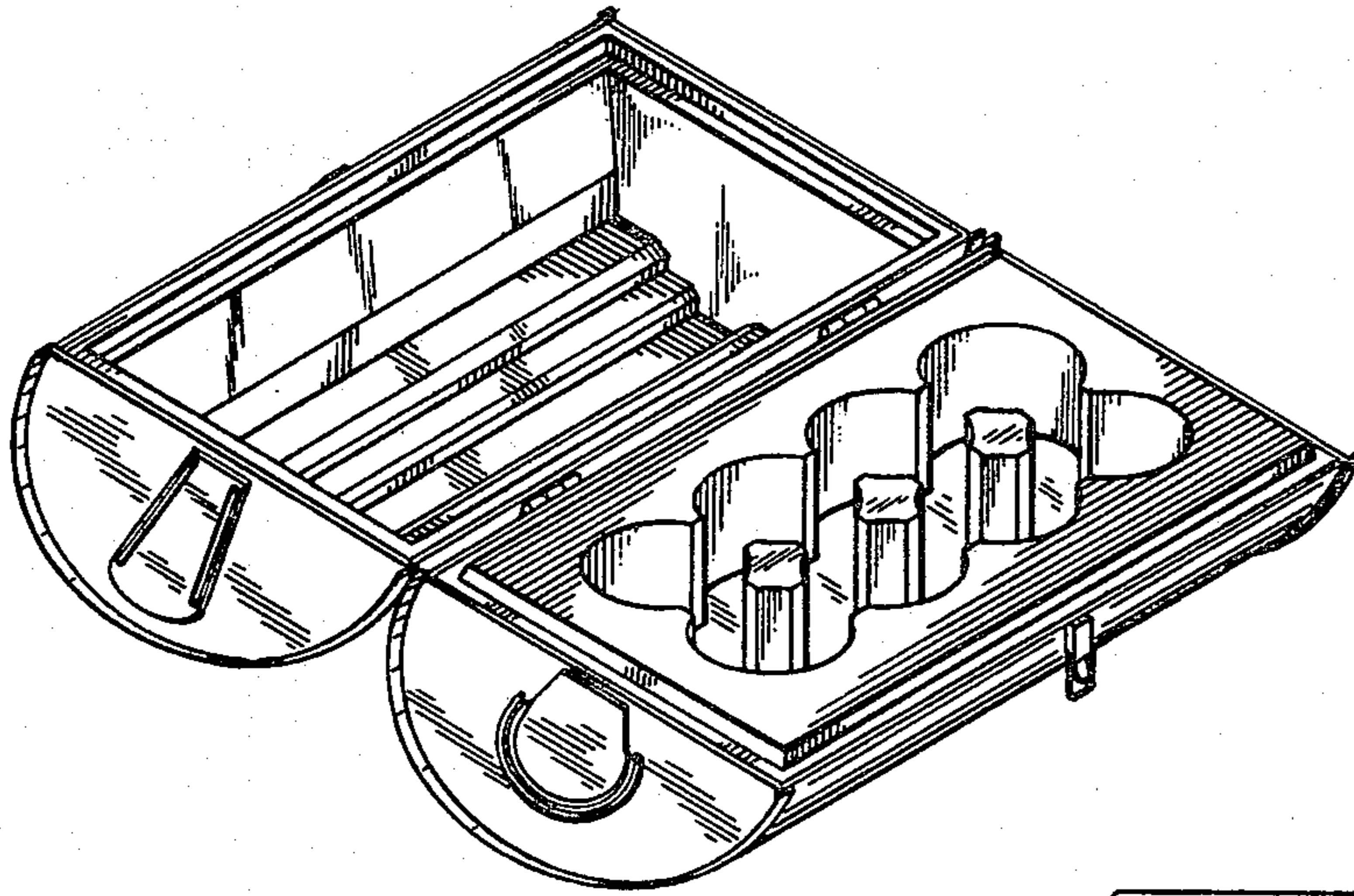


Fig. 1

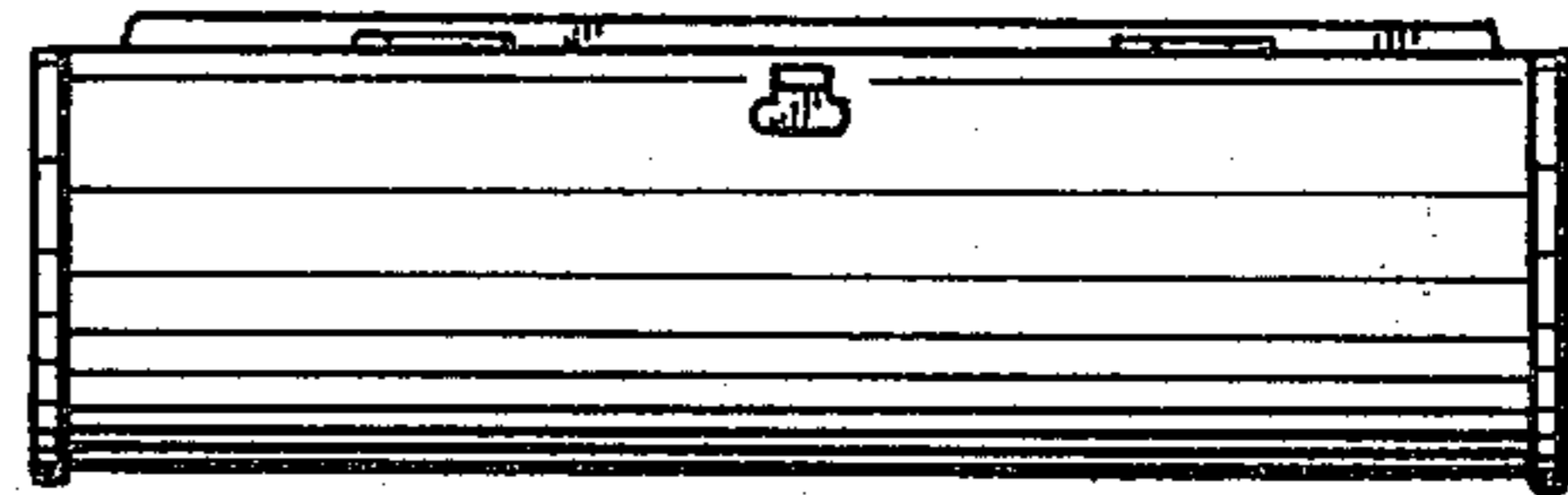


Fig. 4

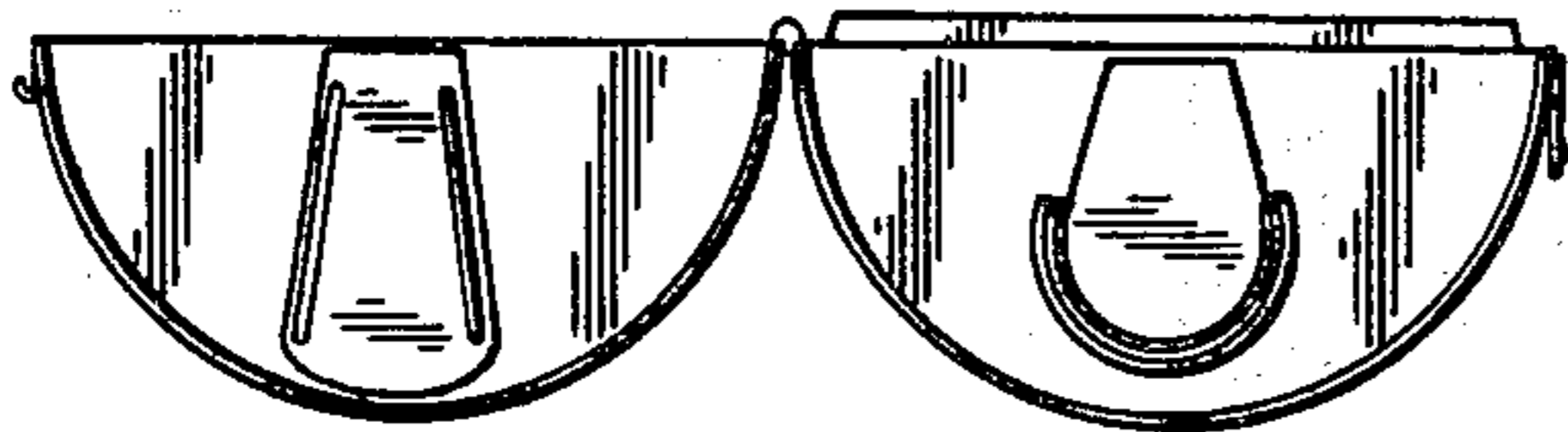


Fig. 2

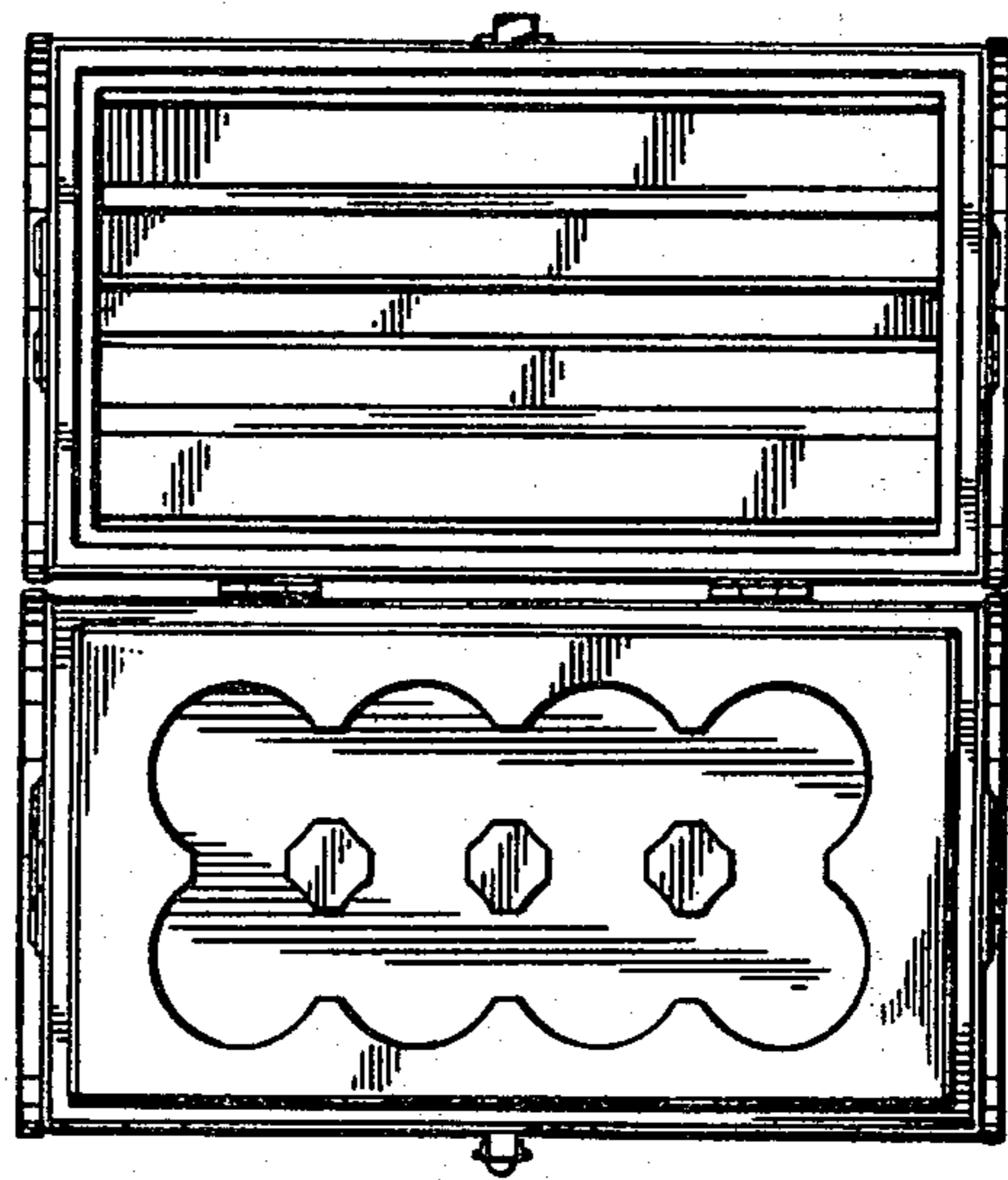


Fig. 5

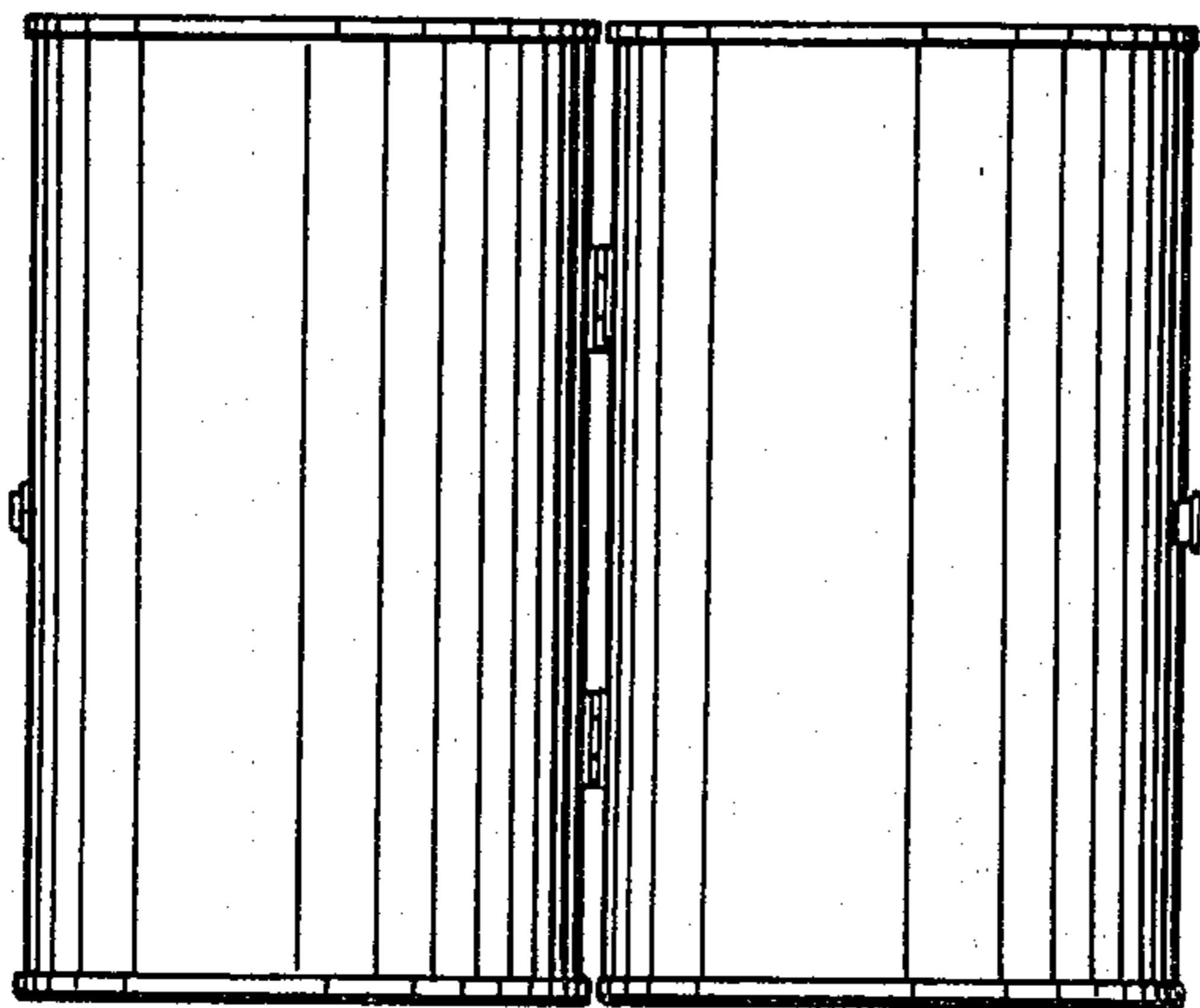


Fig. 3

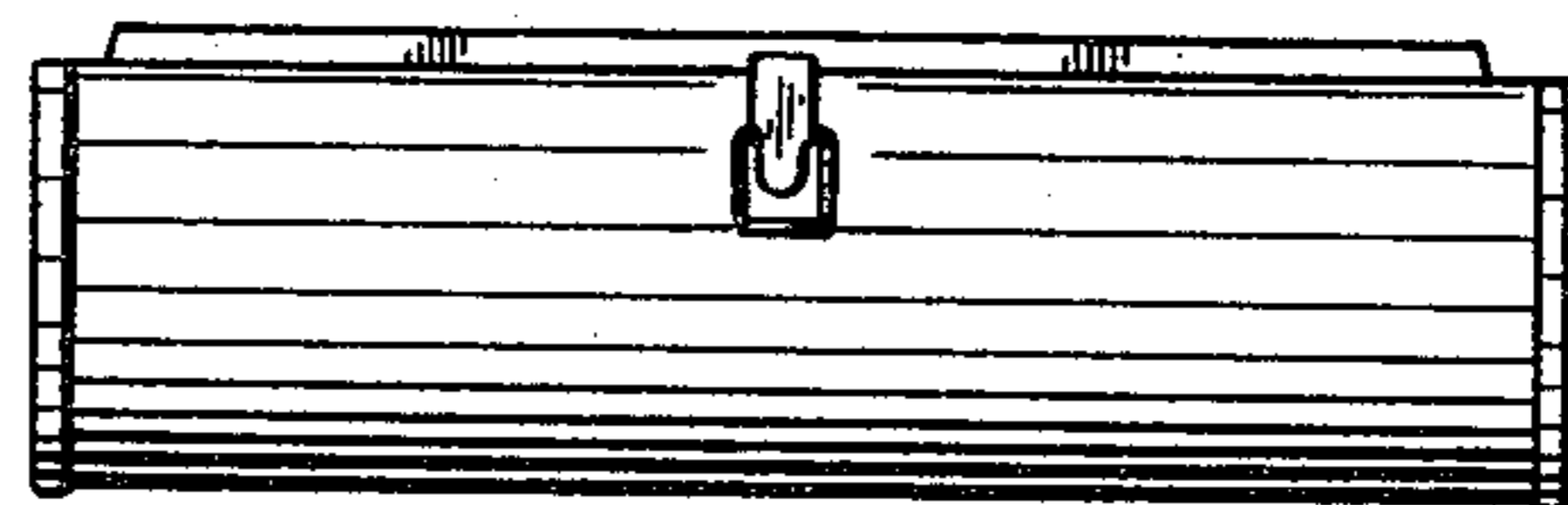


Fig. 6