

[54] SHOWER CADDY

[75] Inventor: John D. Sinchok, Wooster, Ohio

[73] Assignee: Rubbermaid Incorporated, Wooster, Ohio

[**] Term: 14 Years

[21] Appl. No.: 433,673

[22] Filed: Oct. 12, 1982

[52] U.S. Cl. D6/86

[58] Field of Search D6/86, 89, 90-91,
D6/99-103, 114, 125, 130, 132, 189; D28/73,
77; 211/13, 16, 60 R, 71, 75, 90, 153; 206/581;
248/305 R; 108/25, 27-30, 42, 50, 59, 152

[56] References Cited

U.S. PATENT DOCUMENTS

D. 254,584	4/1980	Denko	D6/89
3,789,996	2/1974	Stroh	211/106
4,326,761	4/1982	Schwartz	211/88

OTHER PUBLICATIONS

Sell sheet on SHOWERPAK published in 1981 by Cosmepak, Inc., Stanford, CT 06905.

Sell sheet on SHOWER'N SHAVE published in 1981 by Cosmepak, Inc., Stanford, CT 06905.

Primary Examiner—Wallace R. Burke
Assistant Examiner—Suzanne N. Gitzin
Attorney, Agent, or Firm—Renner, Kenner, Greive & Bobak

[57] CLAIM

The ornamental design for a shower caddy, as shown and described.

DESCRIPTION

FIG. 1 is a front perspective view of a shower caddy showing my new design.

FIG. 2 is a rear perspective view thereof.

FIG. 3 is a front elevational view thereof;

FIG. 4 is a top plan view thereof;

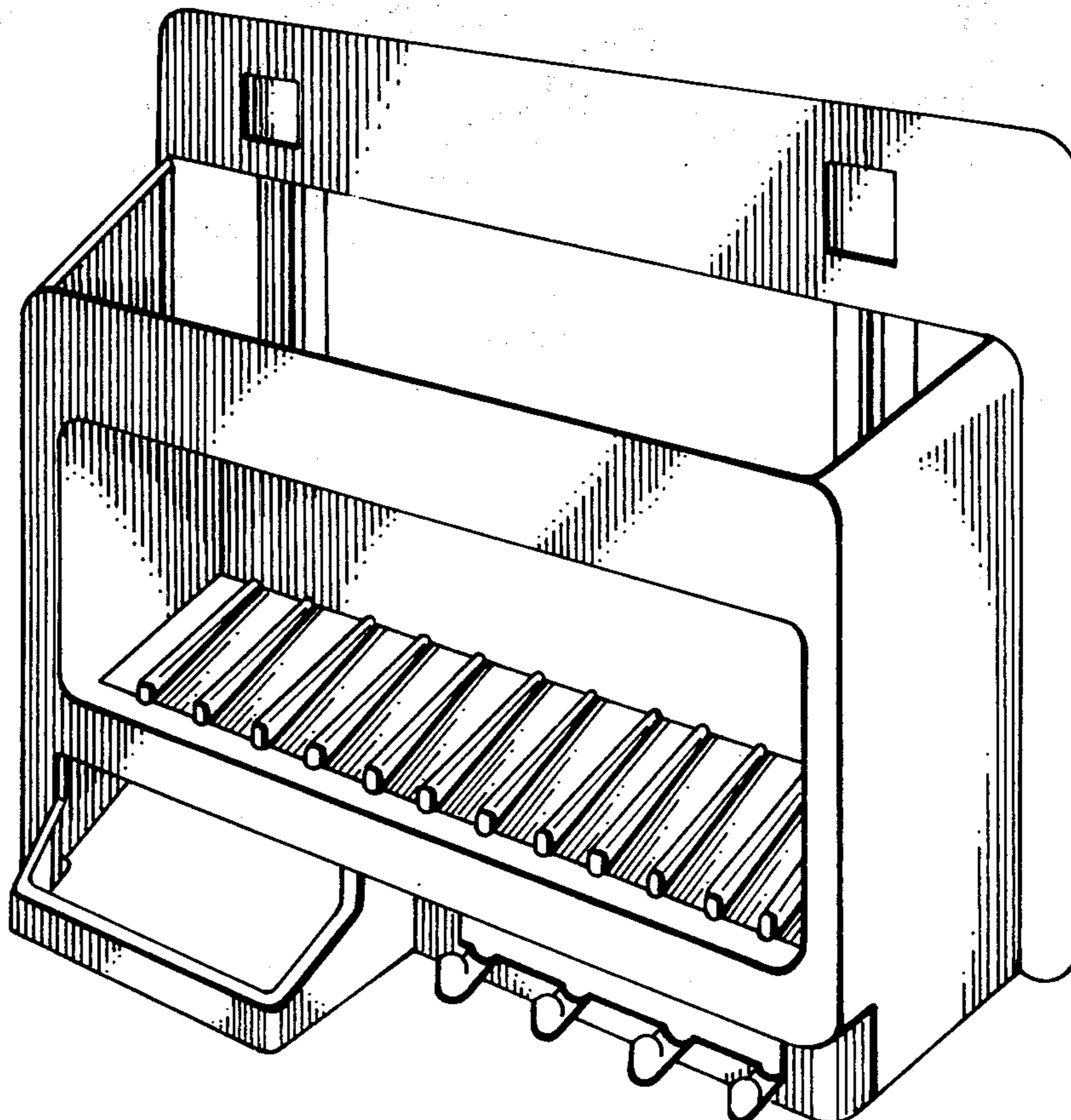
FIG. 5 is a side elevational view taken from the left of FIG. 3;

FIG. 6 is a side elevational view taken from the right of FIG. 3.

FIG. 7 is a sectional view as on line 7—7 of FIG. 3.

FIG. 8 is a sectional view as on line 8—8 of FIG. 3.

The bottom of the shower caddy is a planar surface.



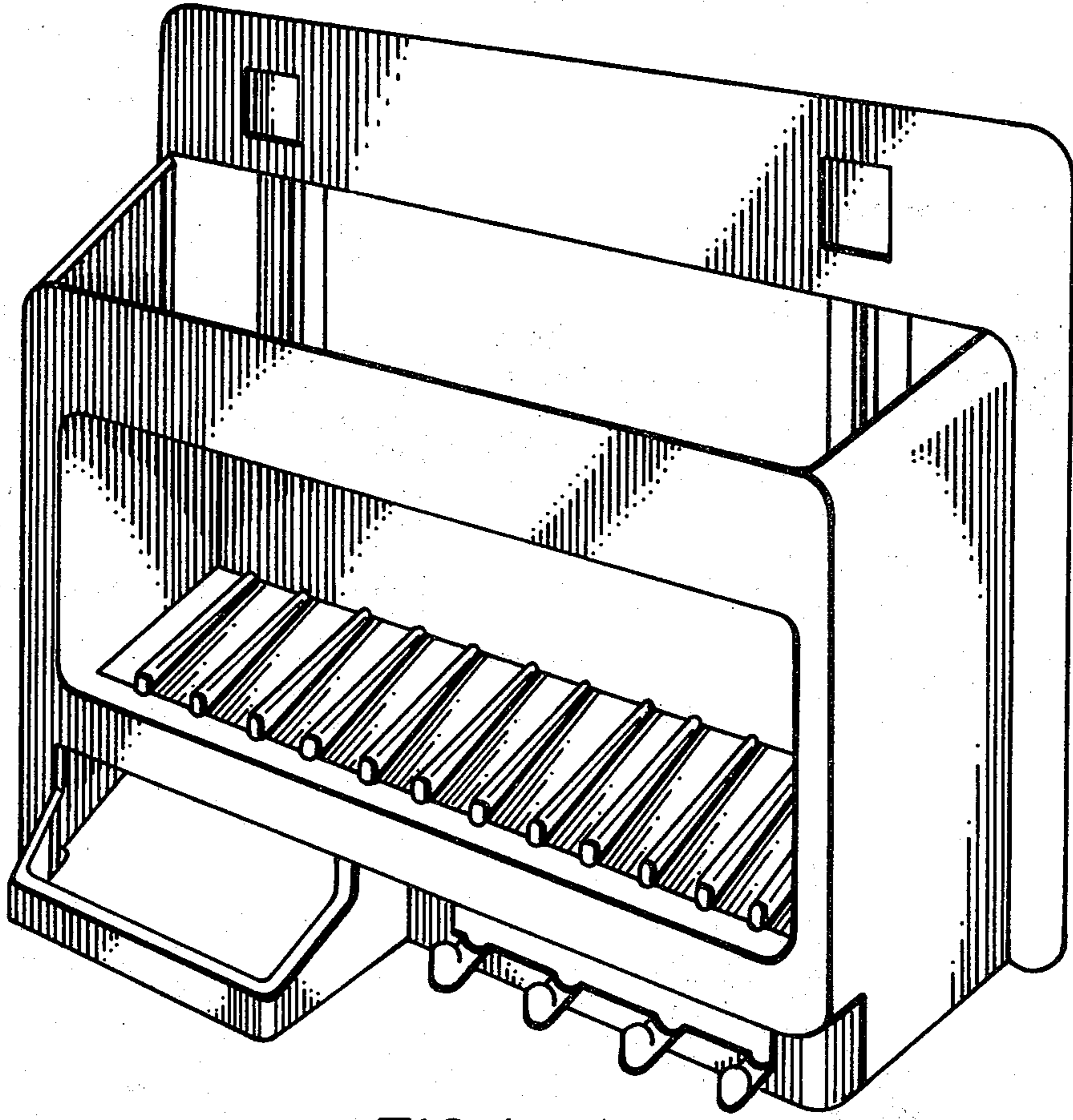


FIG. 1

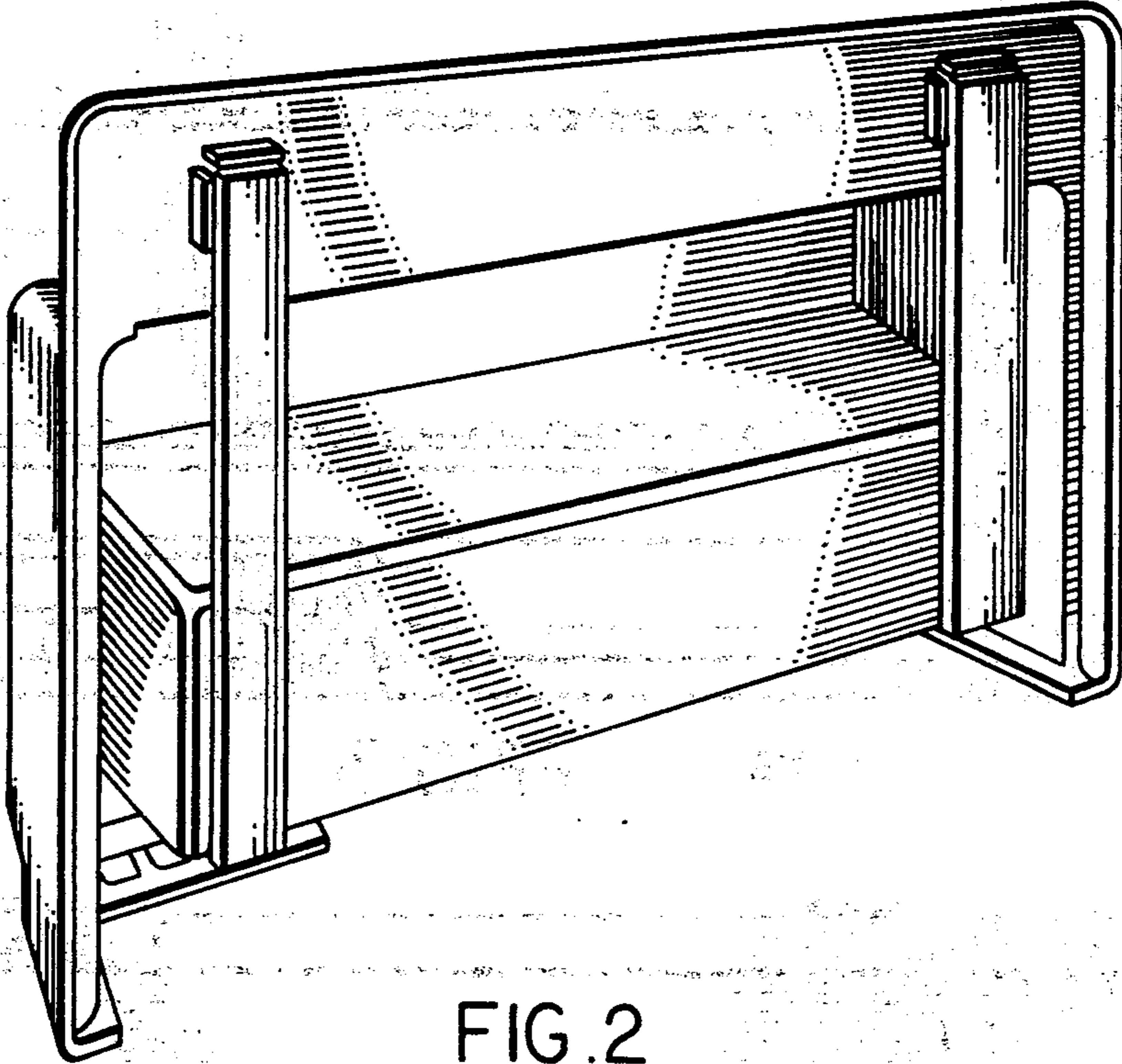
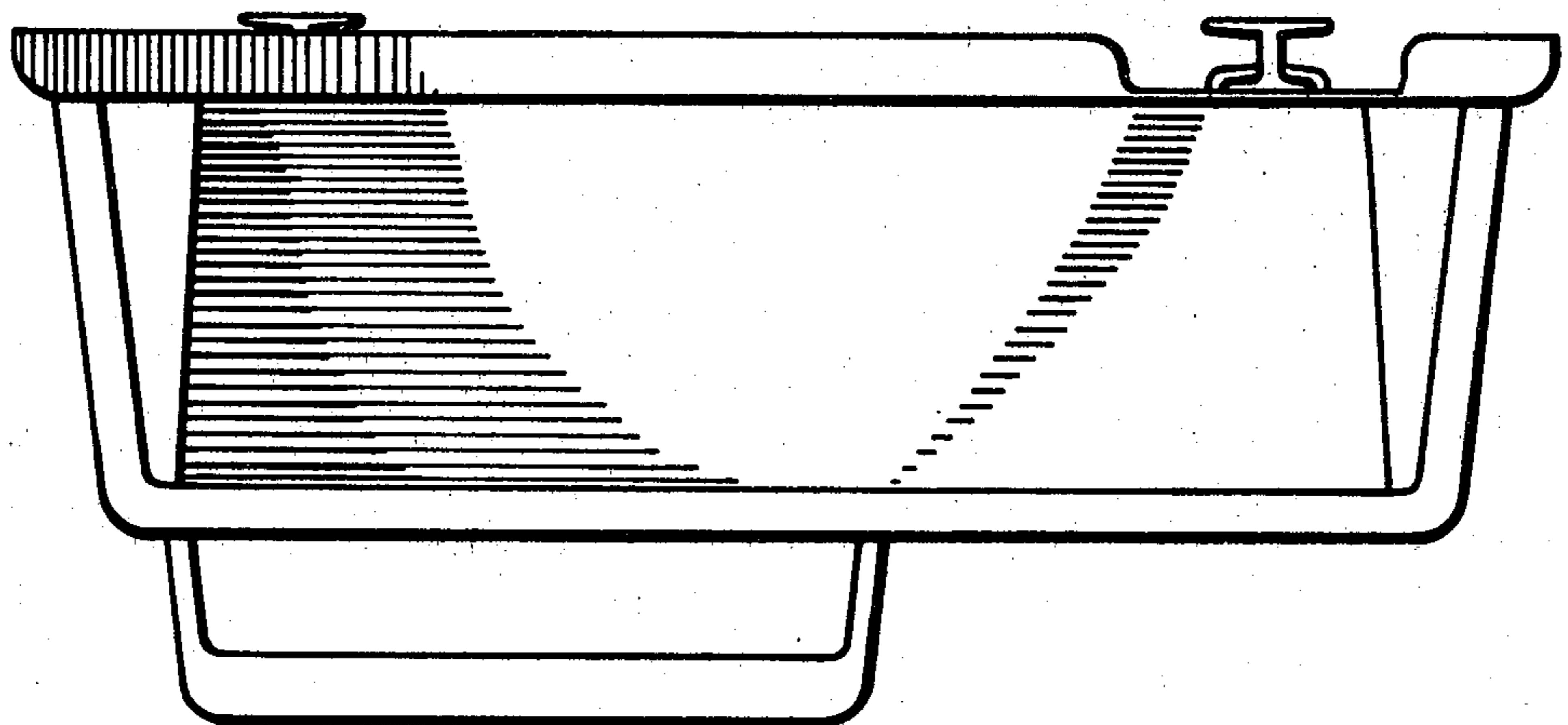
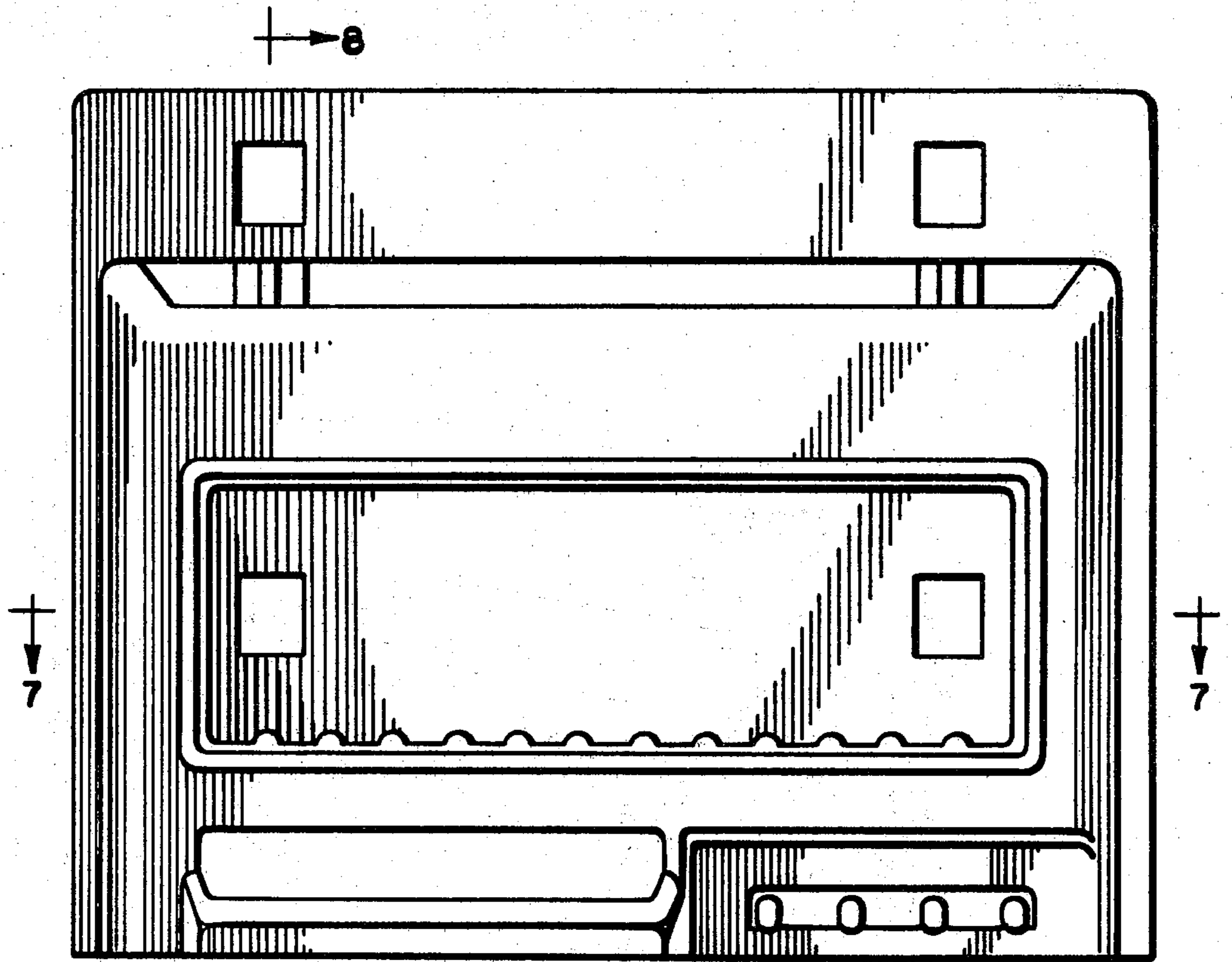


FIG. 2



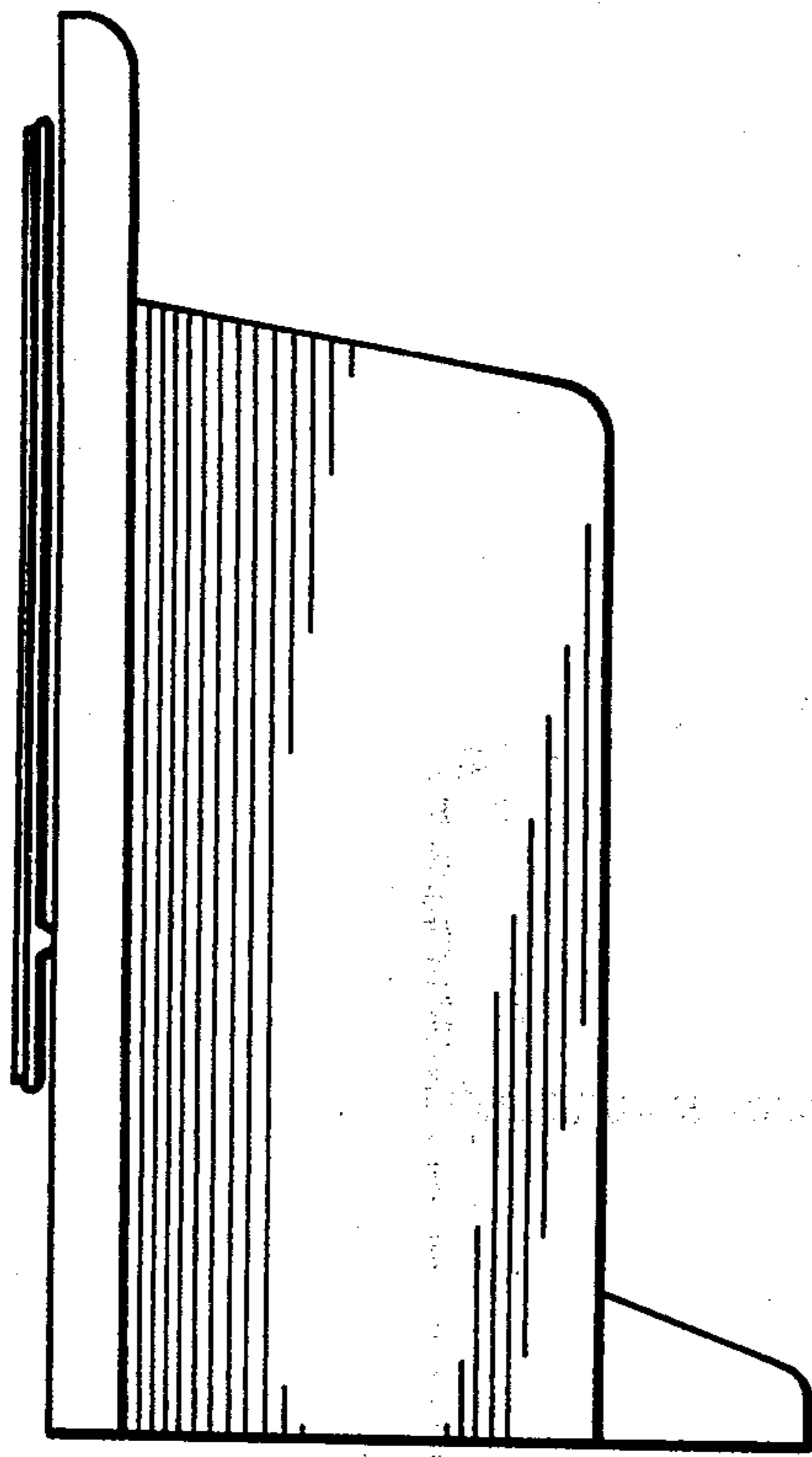


FIG. 5

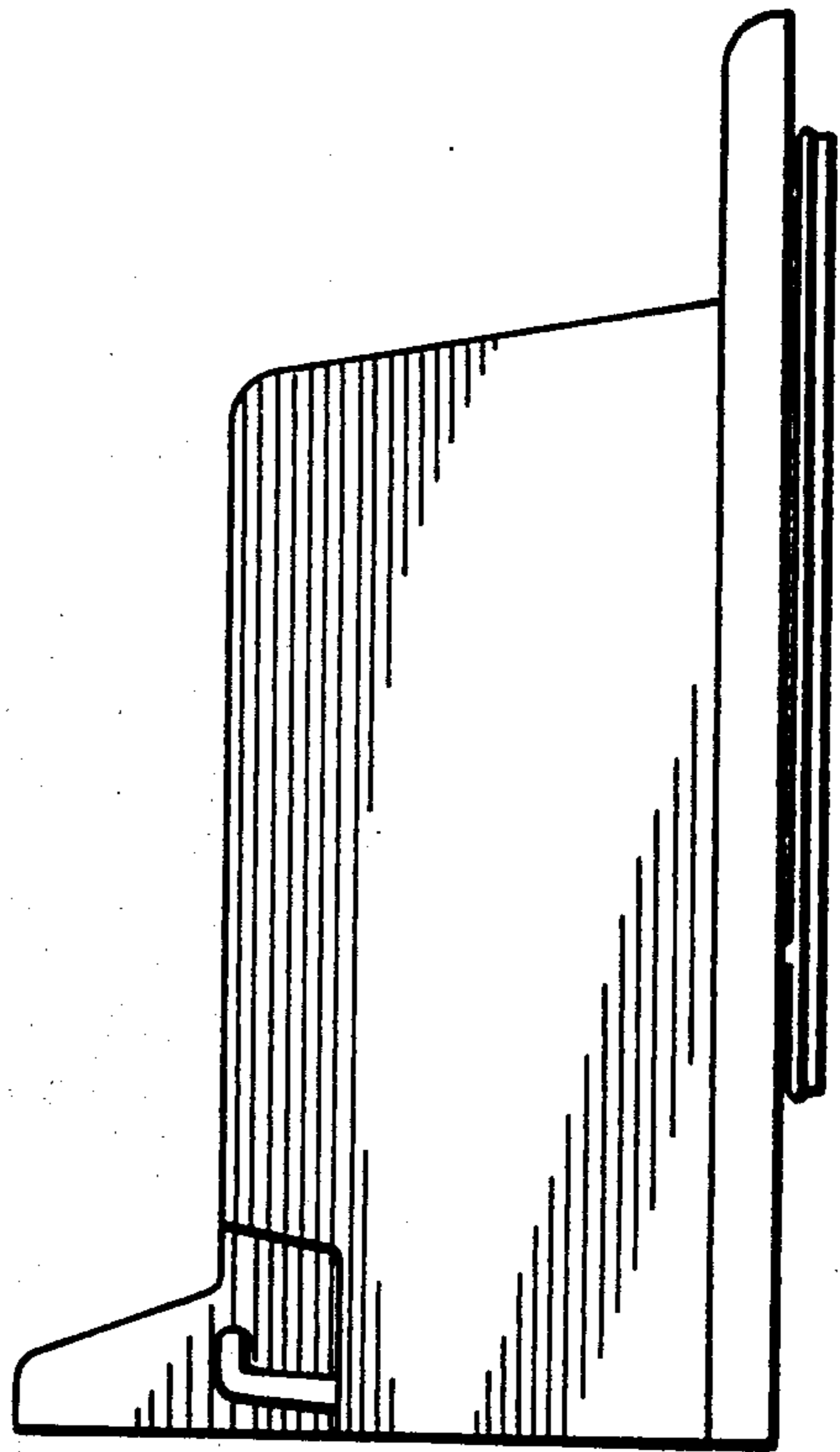


FIG. 6

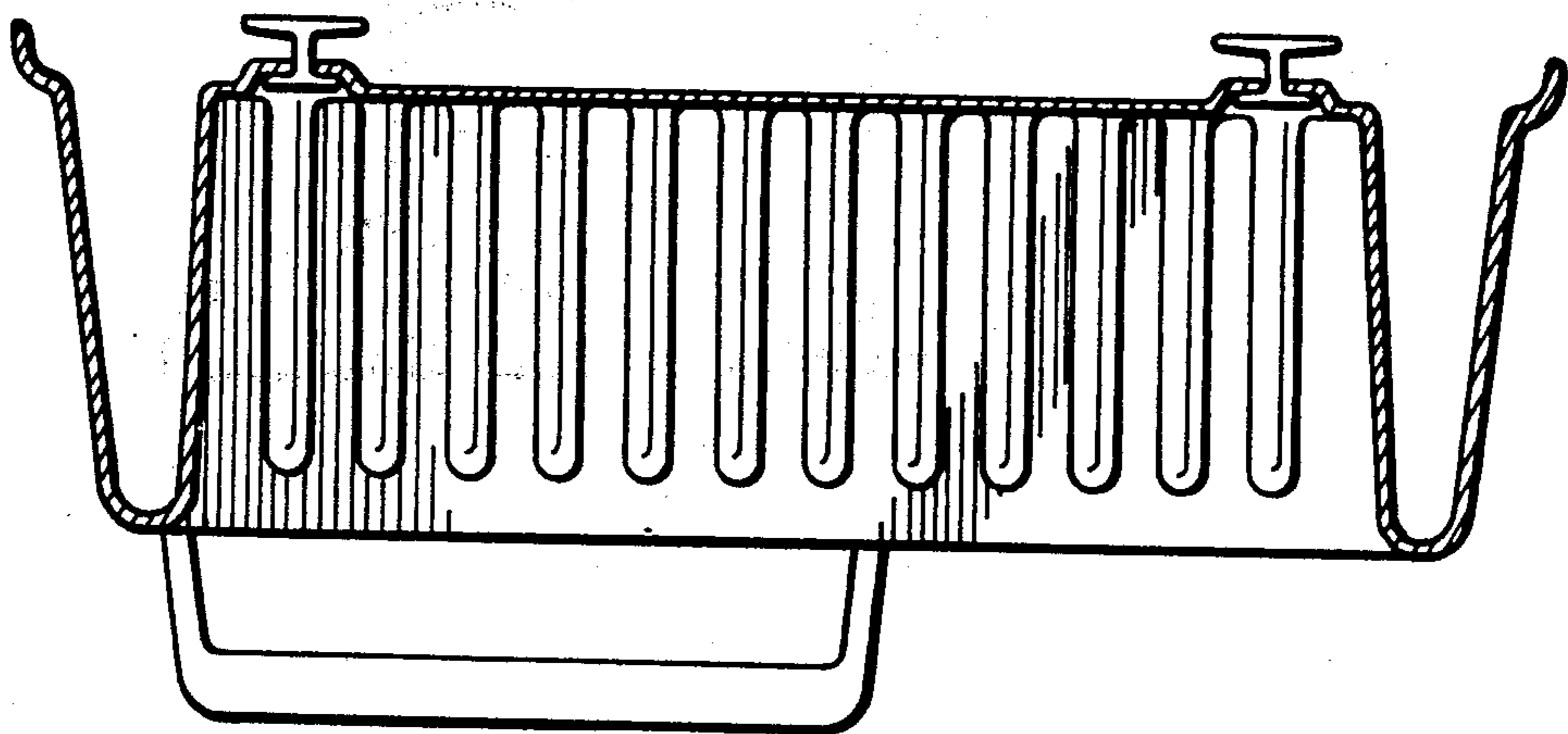


FIG. 7

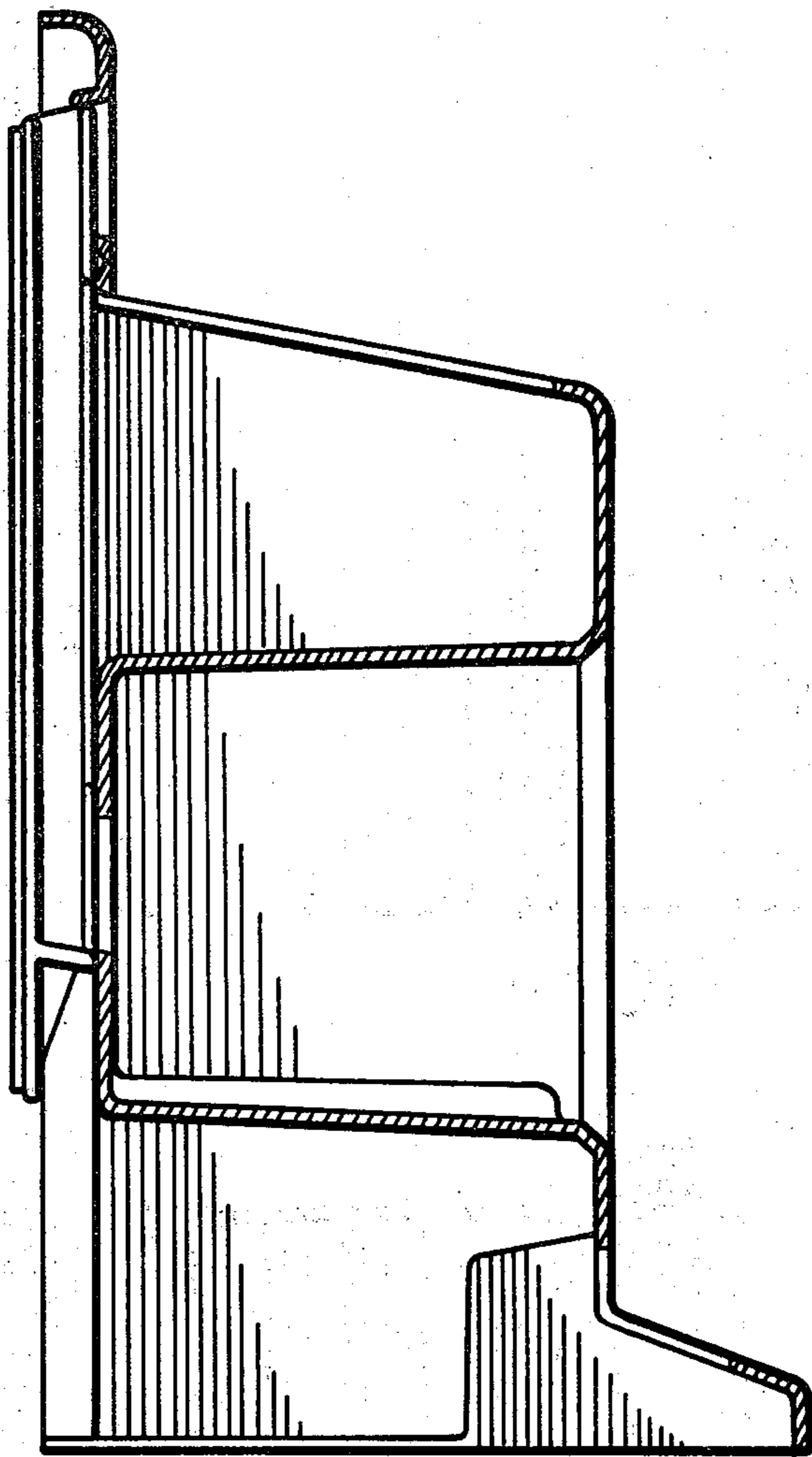


FIG. 8