

[54] VACUUM CLEANER

[75] Inventor: Lawrence L. Chiu, Hong Kong,
Hong Kong

[73] Assignee: Joiner Electric Products Co. Limited,
Hong Kong

[**] Term: 14 Years

[21] Appl. No.: 375,743

[22] Filed: May 6, 1982

[30] Foreign Application Priority Data

Nov. 9, 1981 [GB] United Kingdom 1003495
[52] U.S. Cl. D32/18
[58] Field of Search D32/17, 18;
15/320-327, 344, 412

[56] References Cited

U.S. PATENT DOCUMENTS

D. 211,396 6/1968 Hori D32/18
D. 257,661 12/1980 Gantz D32/18
3,477,087 11/1969 Robinson 15/344

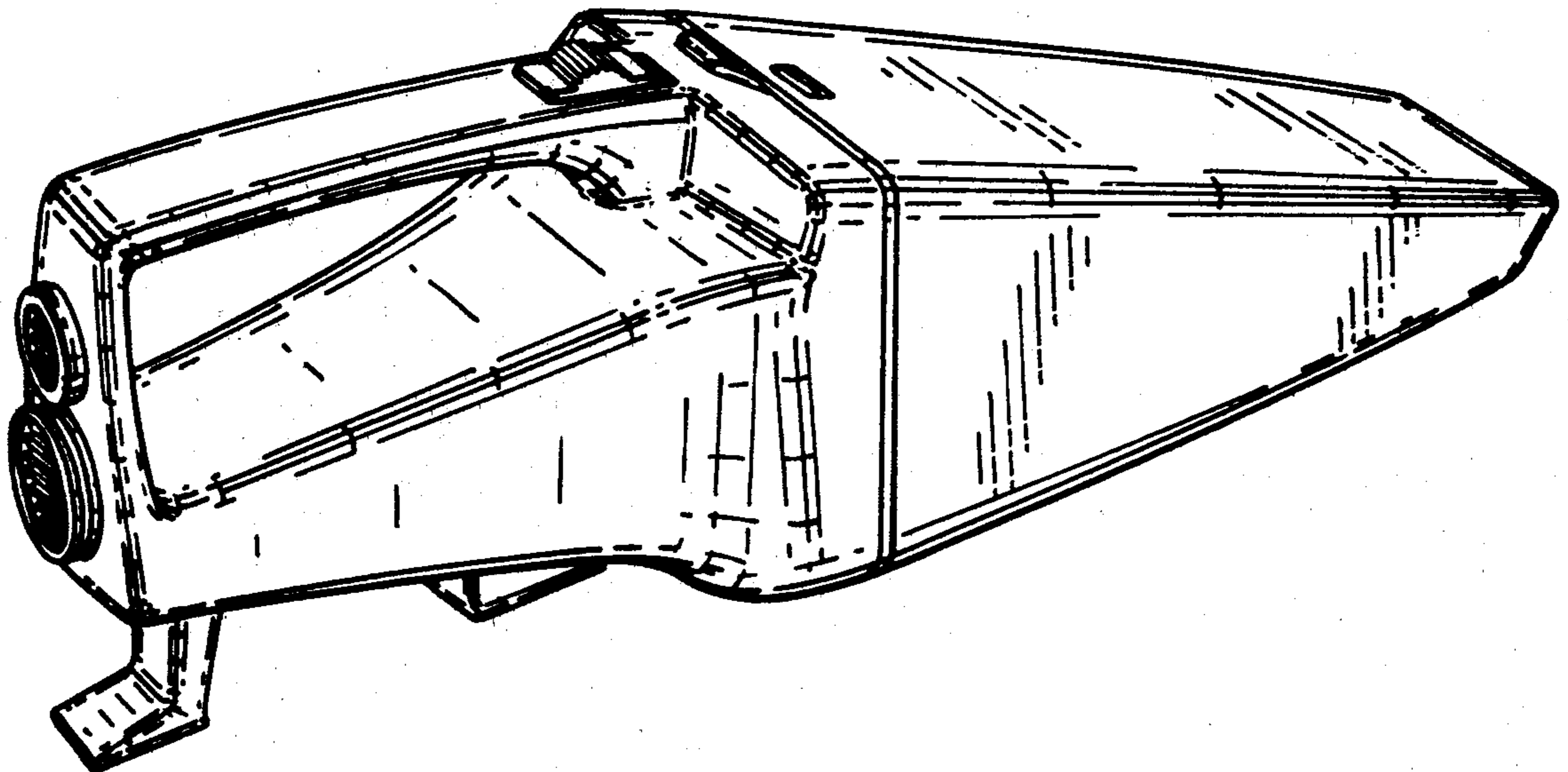
Primary Examiner—Catherine E. Kemper
Assistant Examiner—Lynn Wilder
Attorney, Agent, or Firm—Bacon & Thomas

[57] CLAIM

The ornamental design for a vacuum cleaner, substantially as shown and described.

DESCRIPTION

FIG. 1 is a top perspective view of a vacuum cleaner showing my new design;
FIG. 2 is a bottom perspective view thereof;
FIG. 3 is an elevational view of one side thereof, the other side being a mirror image;
FIG. 4 is a rear end elevational view thereof.



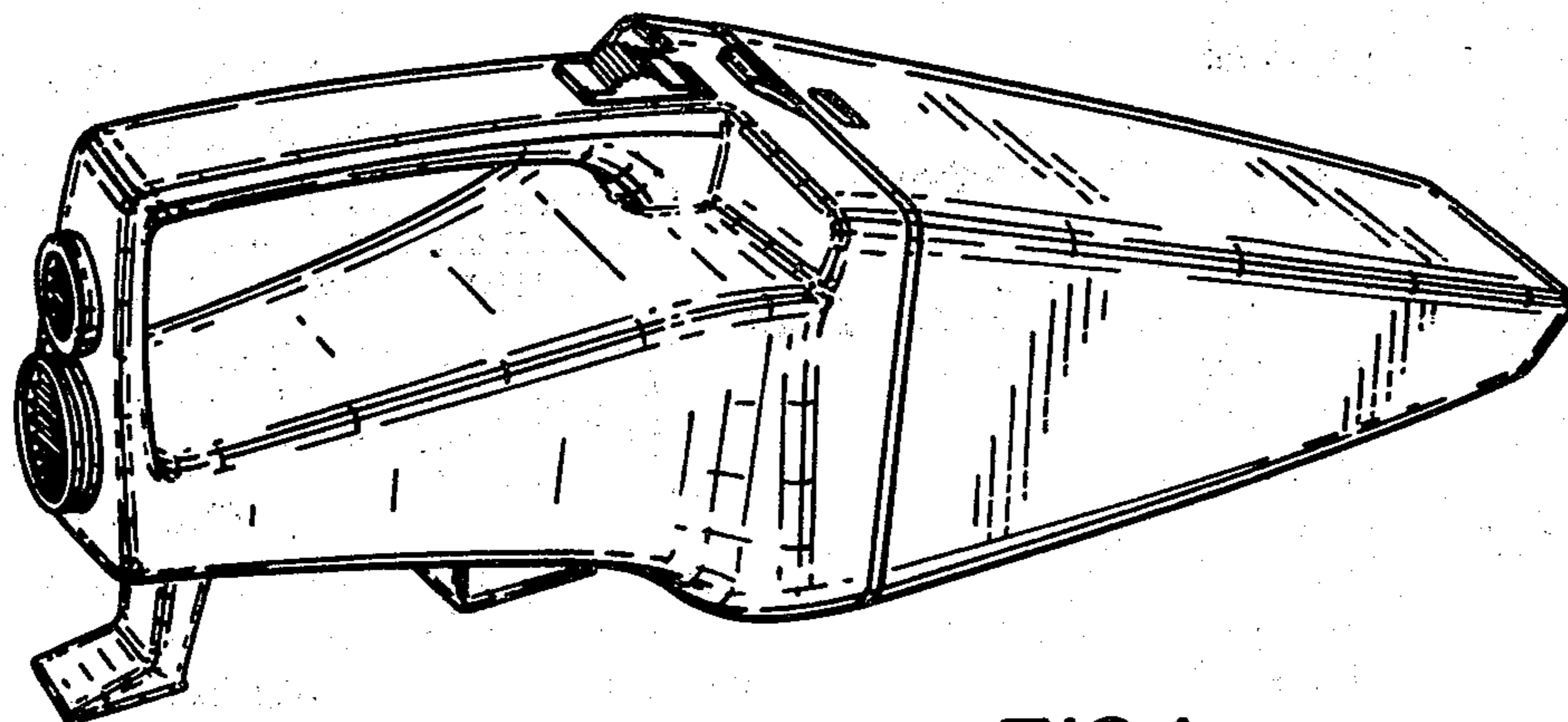


FIG.1.

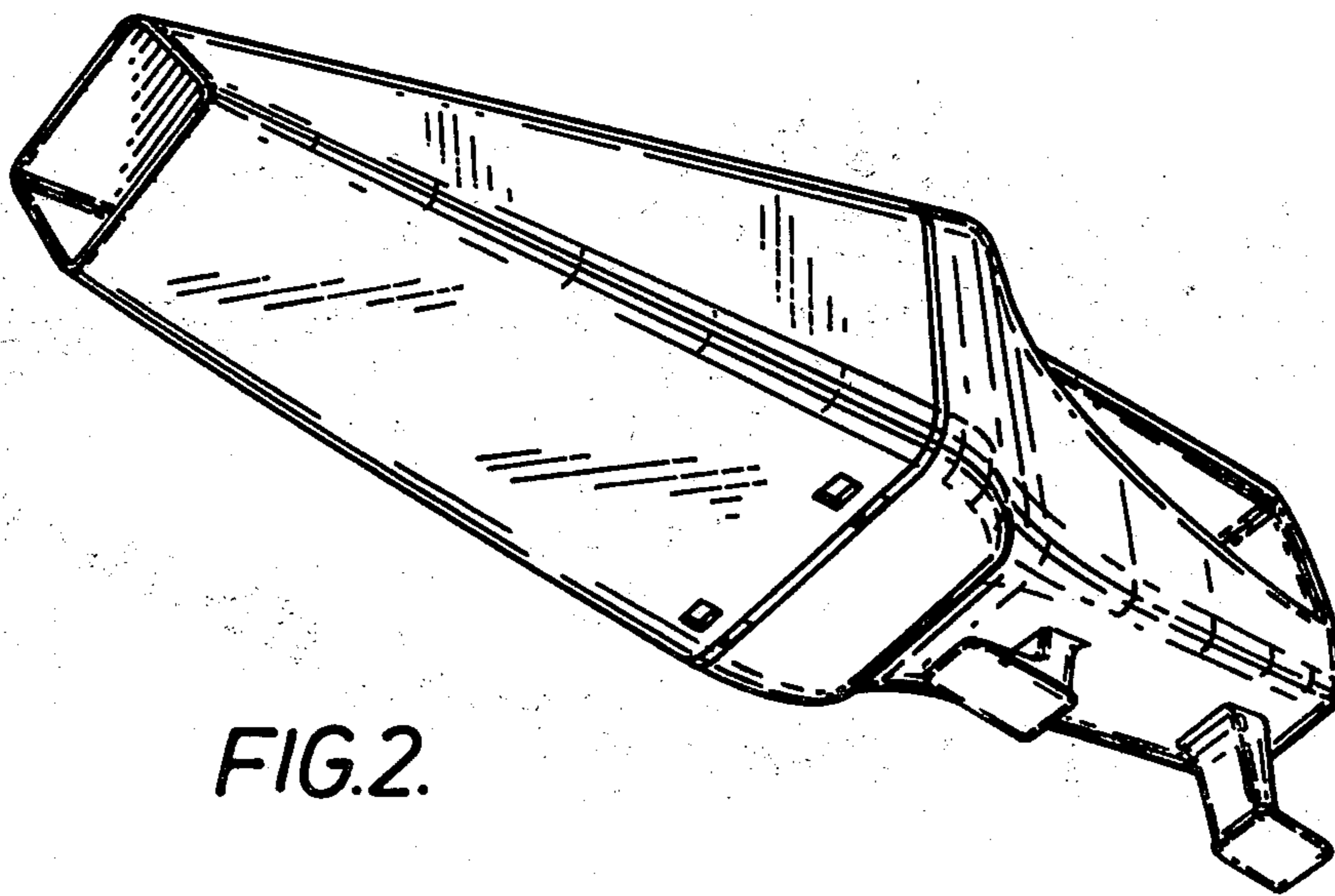


FIG.2.

FIG.3.

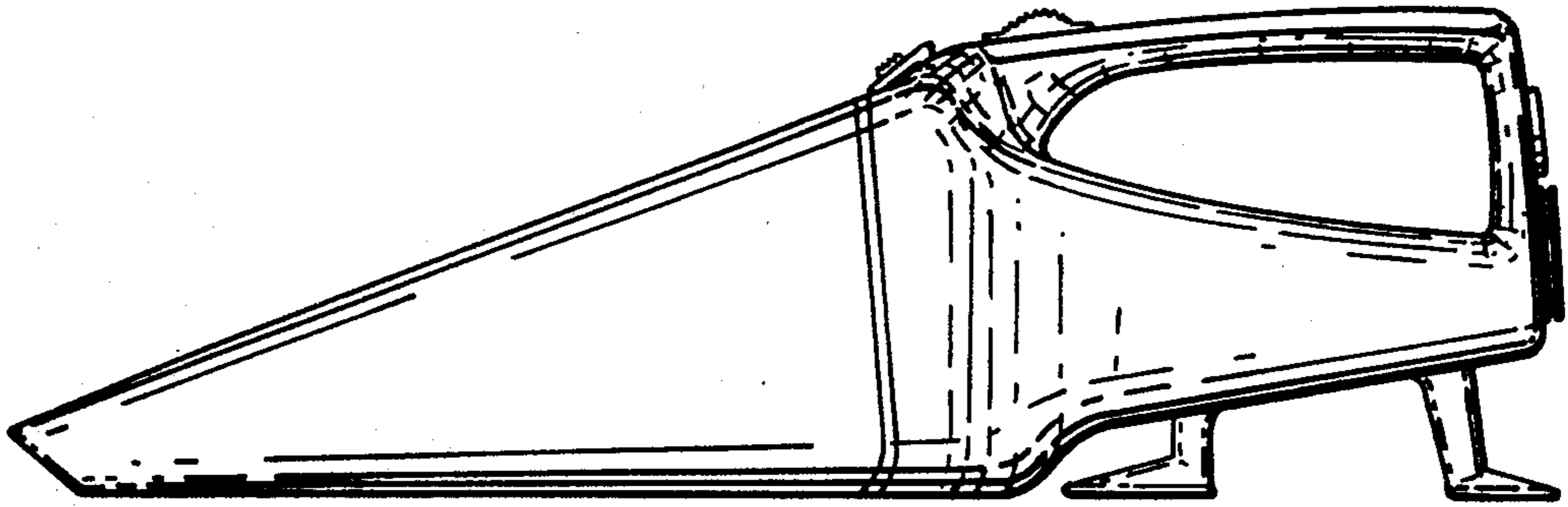


FIG.4.

