

[54] SELF-PROPELLED CARPET SHAMPOOING MACHINE

2,317,843 4/1943 Backlund 15/50 R
4,200,951 5/1980 Burgoon et al. 15/321

[75] Inventor: Gary E. Palmer, Littleton, Colo.

Primary Examiner—Catherine E. Kemper
Assistant Examiner—Lynn Wilder
Attorney, Agent, or Firm—Edwin L. Spangler, Jr.

[73] Assignee: Windsor Industries, Inc., Englewood, Colo.

[**] Term: 14 Years

[57] CLAIM

[21] Appl. No.: 369,554

The ornamental design for a self-propelled carpet shampooing machine, as shown and described.

[22] Filed: Apr. 19, 1982

[52] U.S. Cl. D32/16

[58] Field of Search D32/15-18,
D32/20-22; 15/48, 49 R, 50 R, 300, 320-327,
340, 353

DESCRIPTION

FIG. 1 is a perspective view looking down and to the right upon the front of a self-propelled carpet shampooing machine;

FIG. 2 is a front elevational view thereof;

FIG. 3 is a rear elevational view thereof;

FIG. 4 is a top plan view thereof;

FIG. 5 is a bottom plan view thereof;

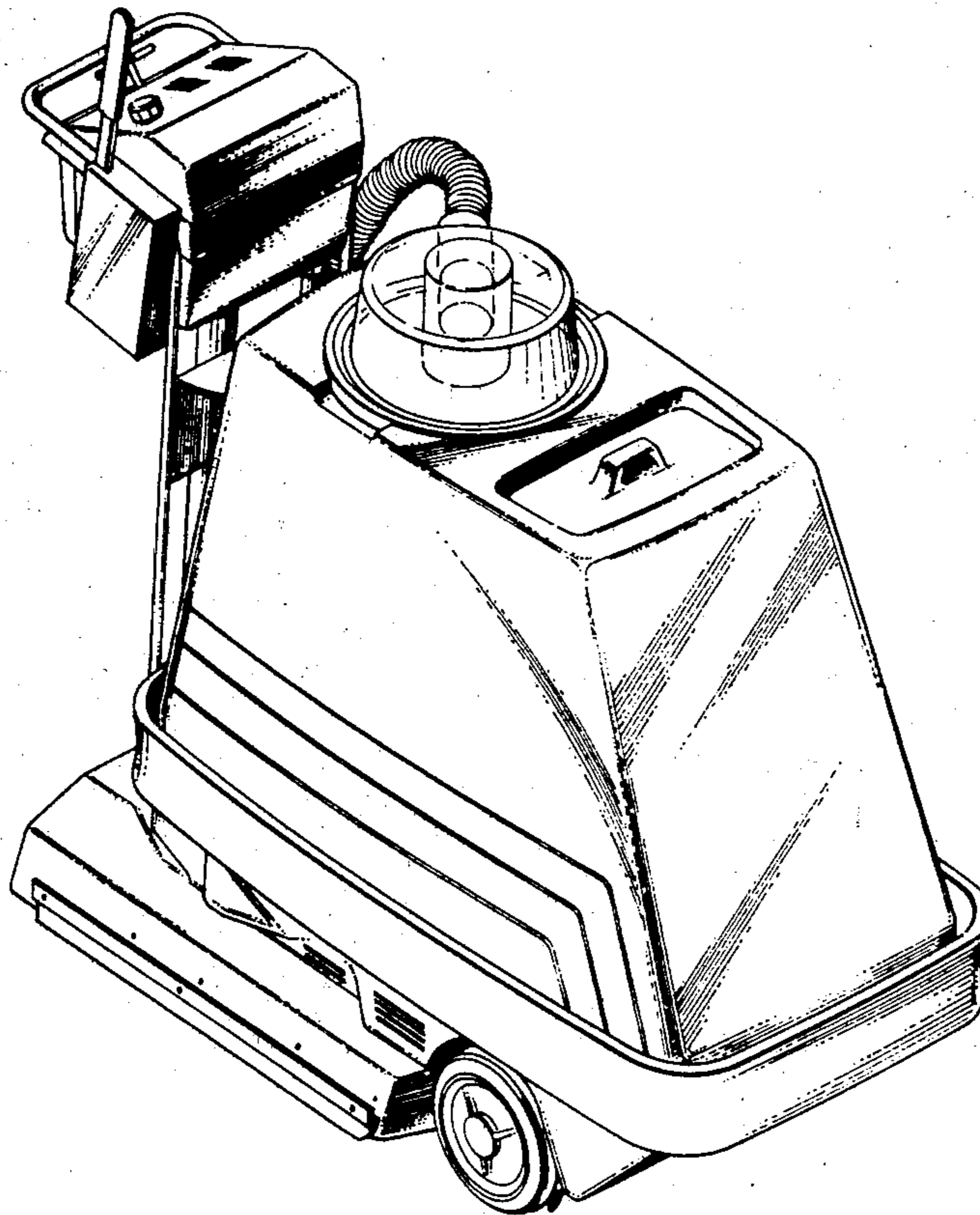
FIG. 6 is a right side elevational view thereof; and,

FIG. 7 is a left side elevational view thereof.

[56] References Cited

U.S. PATENT DOCUMENTS

D. 183,080 6/1958 Ashton D32/16
D. 258,963 4/1981 Phillips D32/16



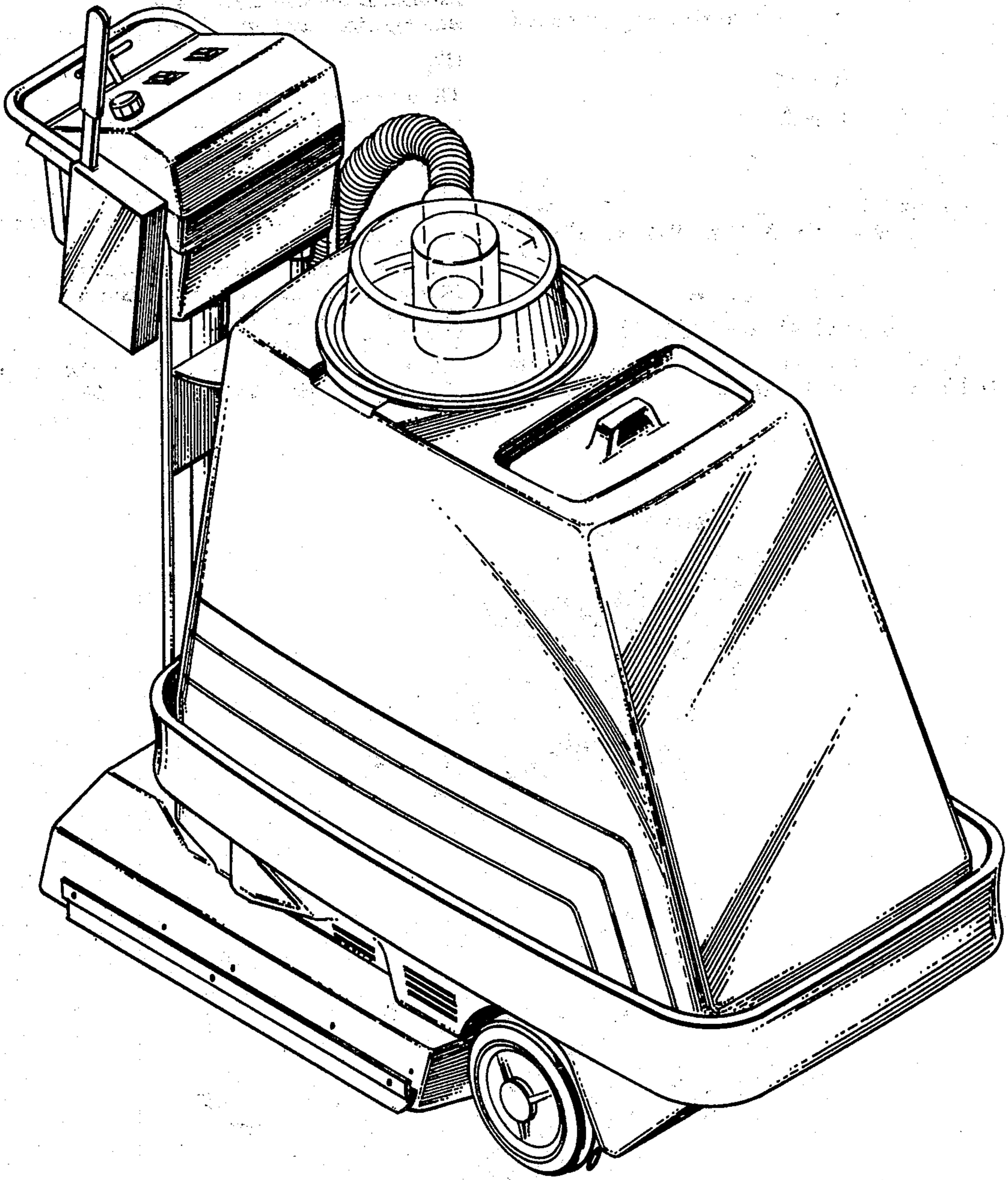


Fig. 1

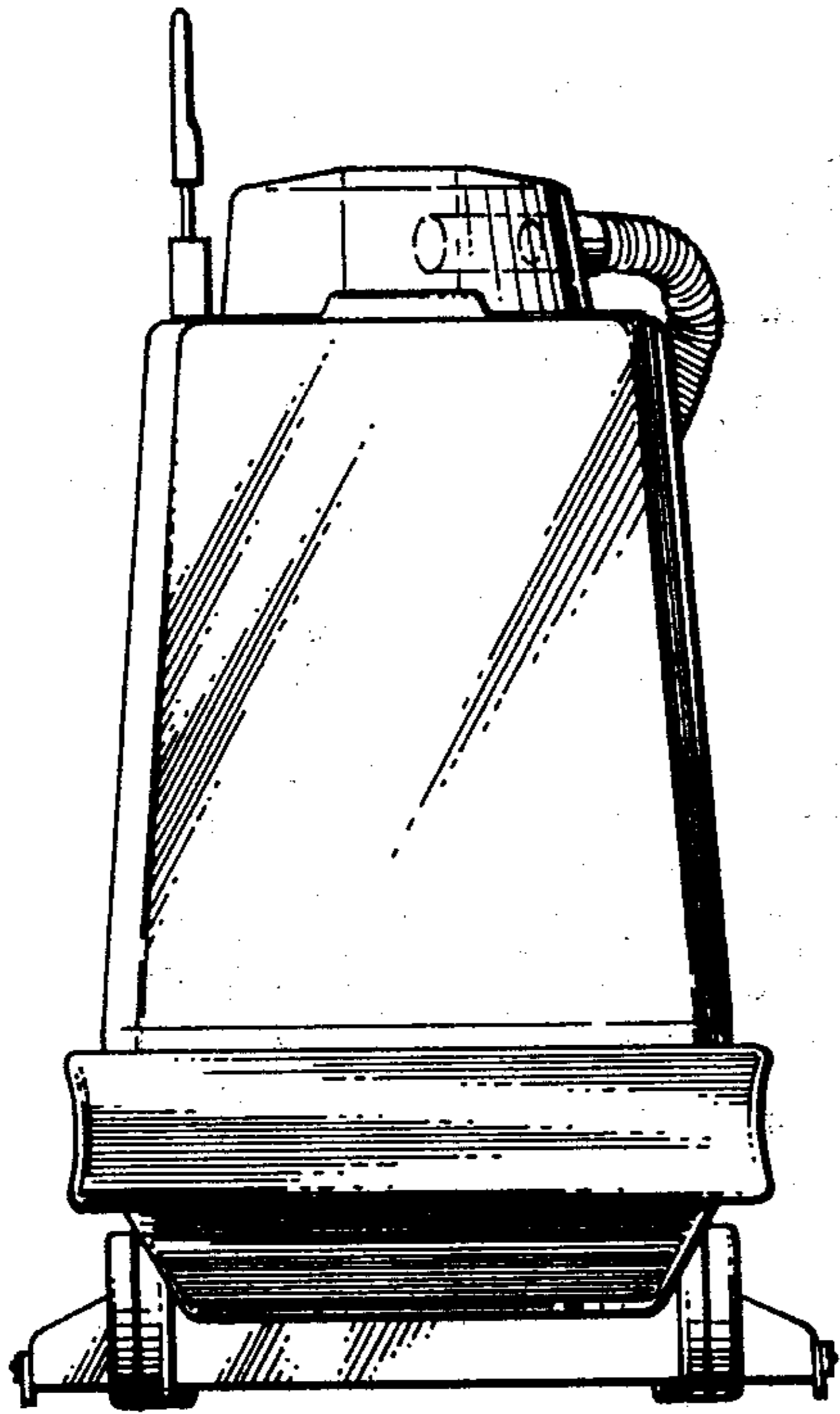


Fig. 2

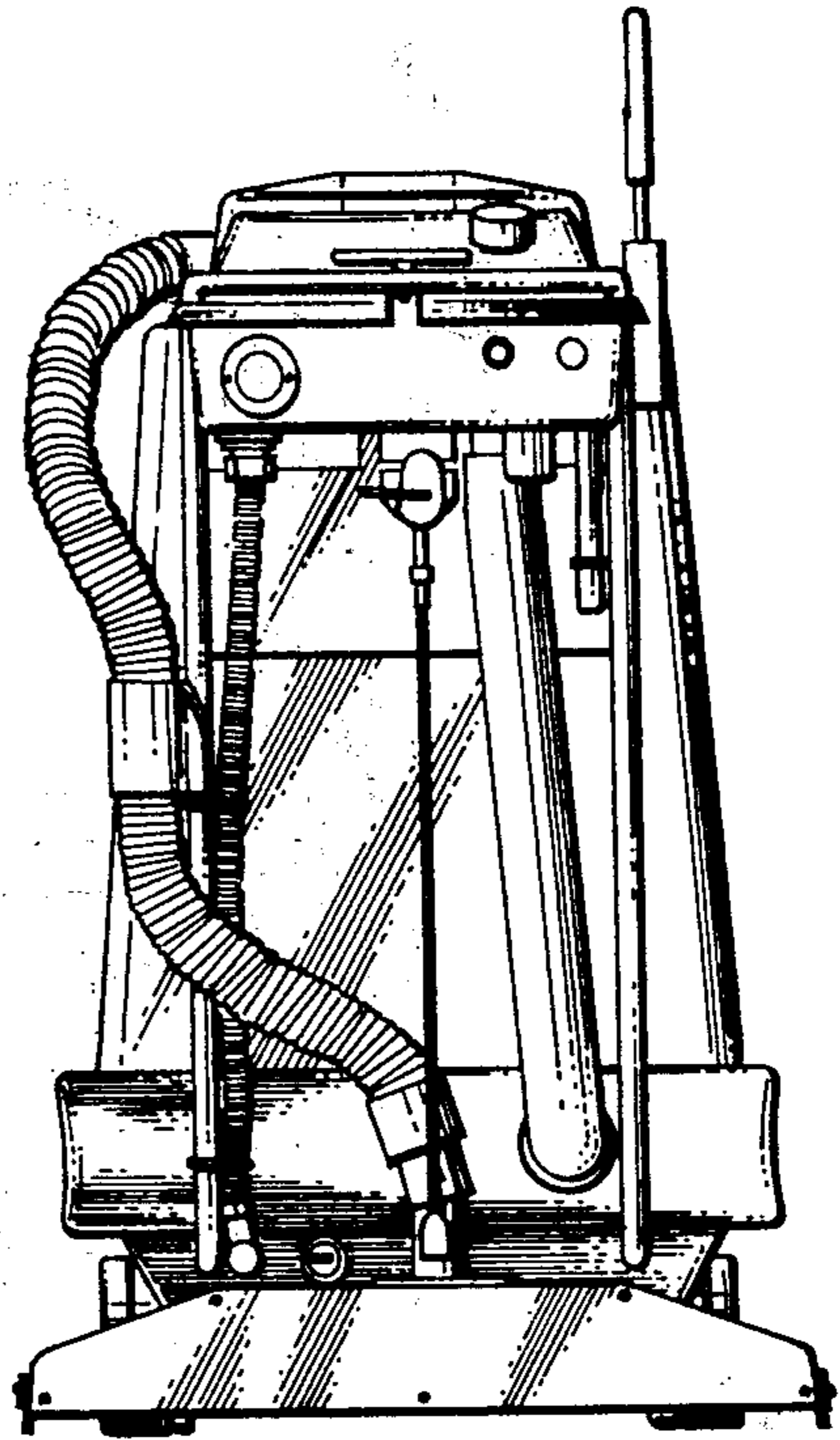


Fig. 3

Fig. 4

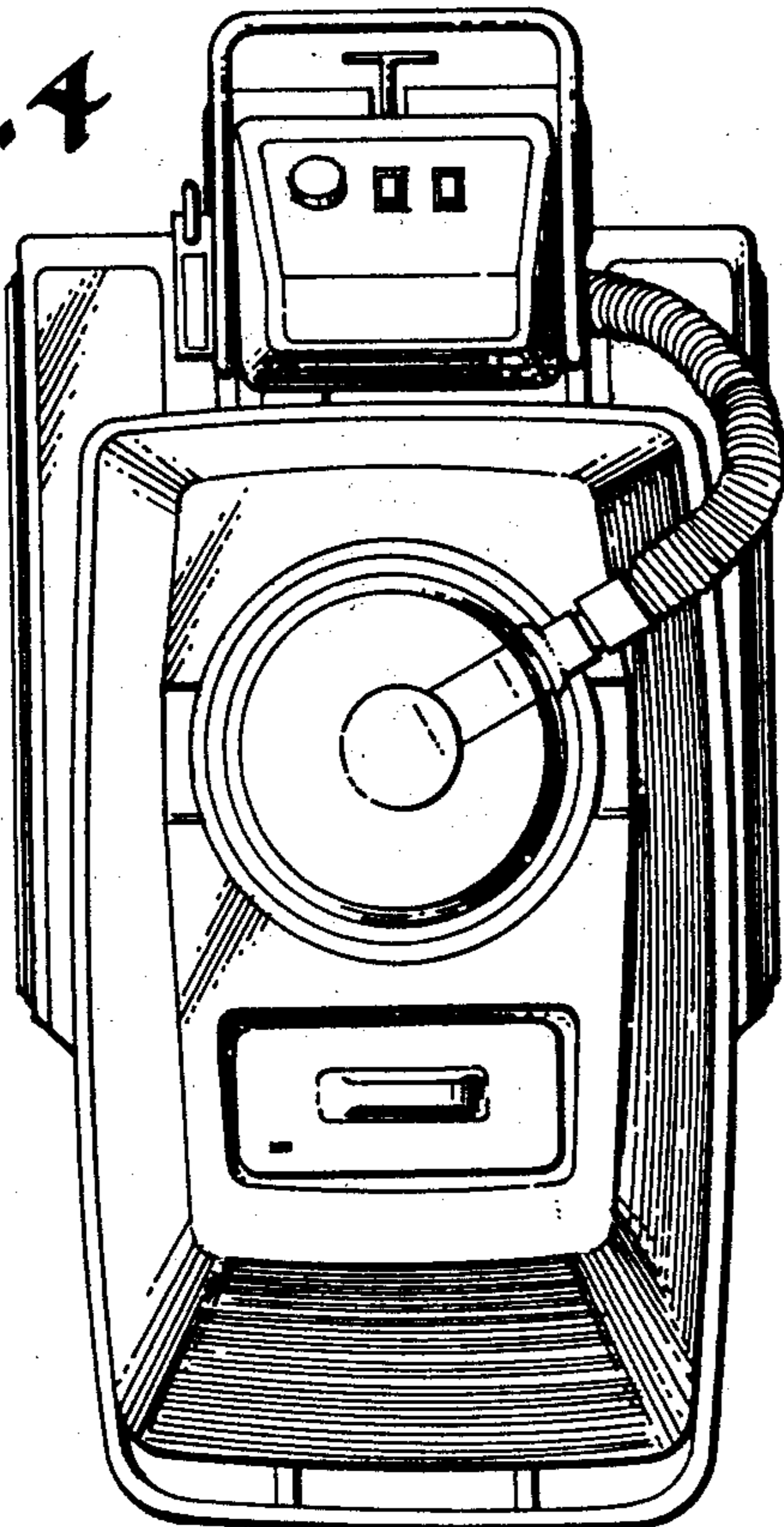
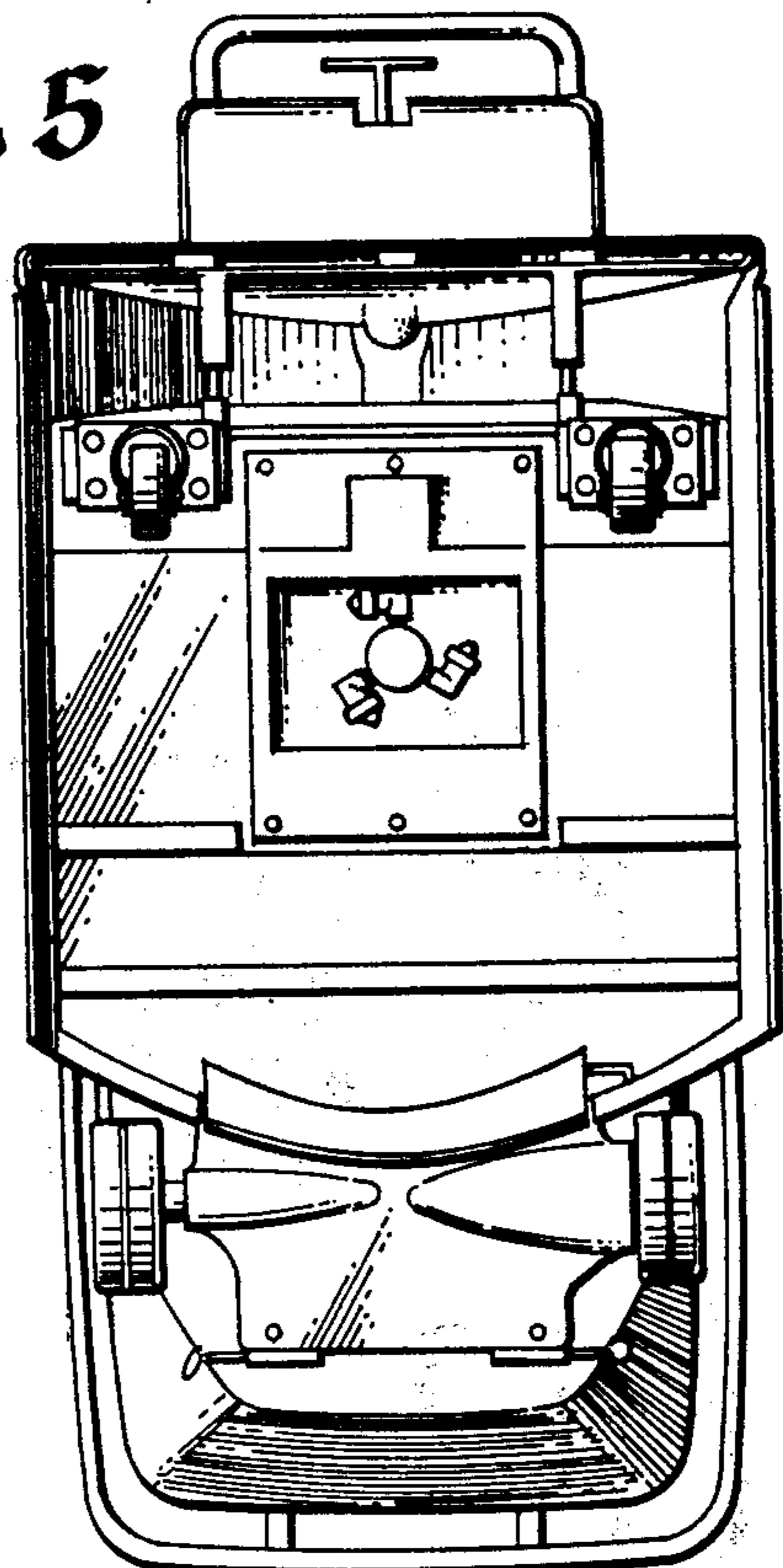


Fig. 5



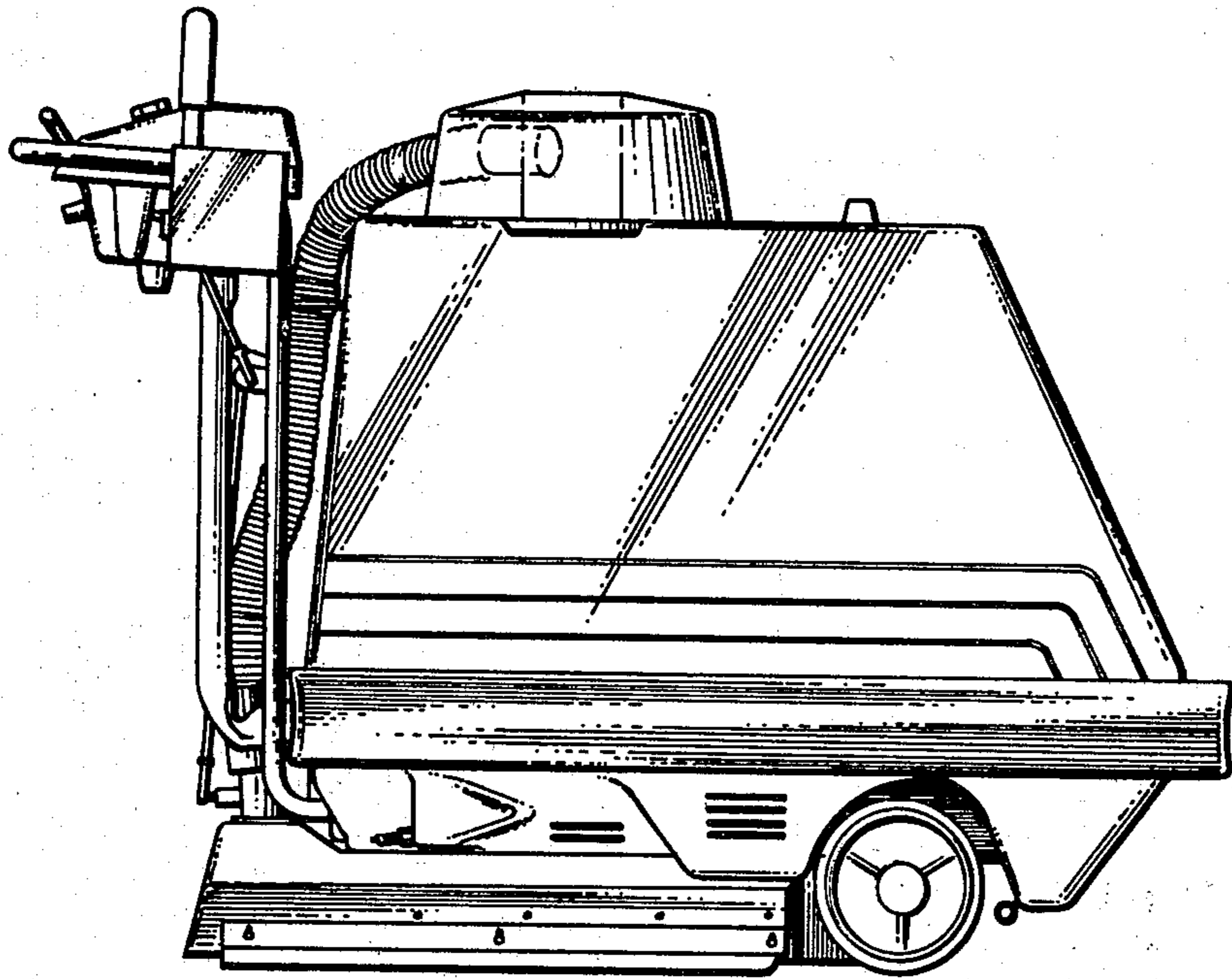


Fig. 6

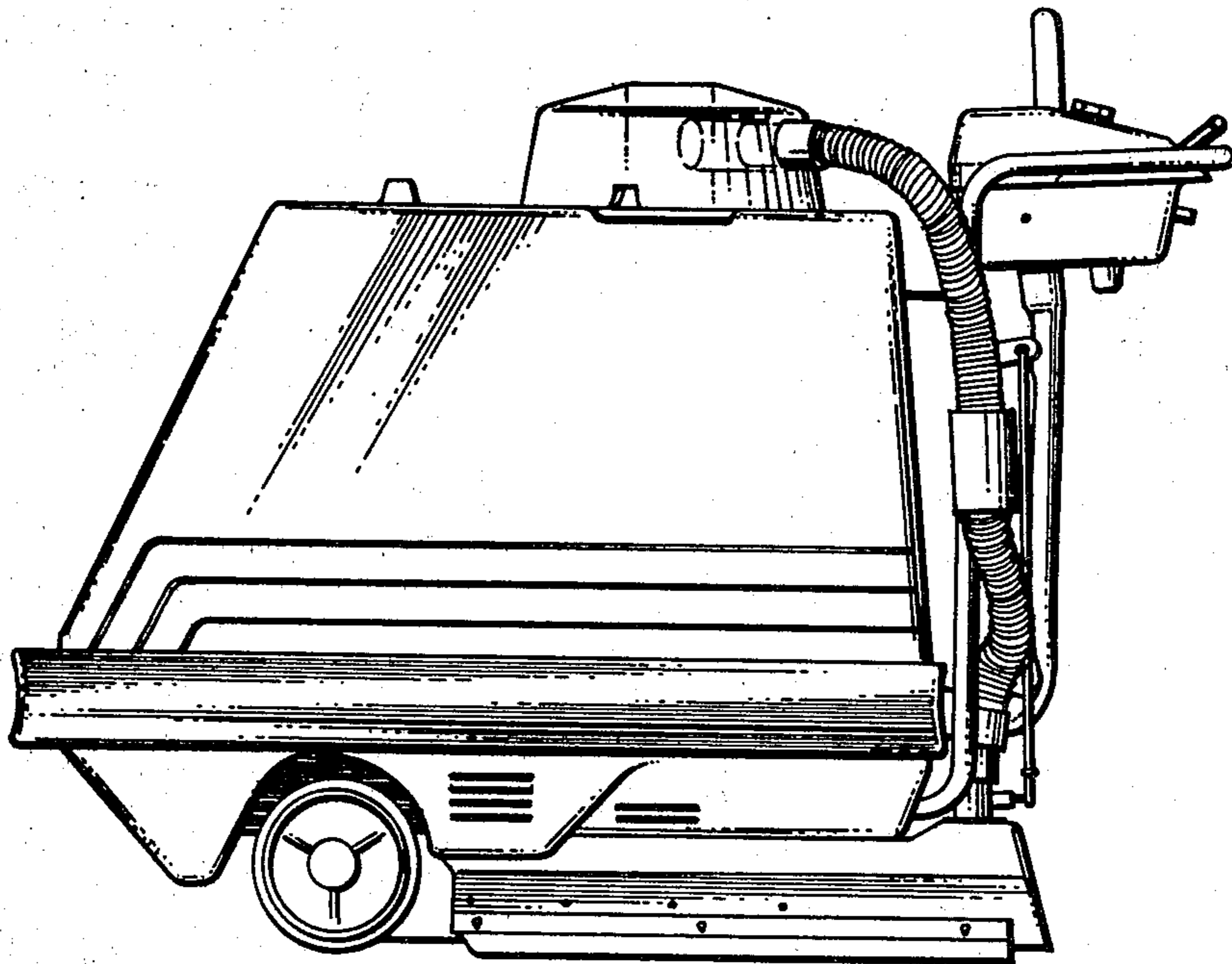


Fig. 7