

[54] BIRD FEEDER

[75] Inventor: Robert K. Nock, Halesowen,
England

[73] Assignee: Silverthorne-Gillott Limited, West
Midlands, England

[**] Term: 14 Years

[21] Appl. No.: 365,877

[22] Filed: Apr. 5, 1982

[30] Foreign Application Priority Data

Nov. 24, 1981 [GB] United Kingdom 1,003,774

[52] U.S. Cl. D30/14; 119/51 R

[58] Field of Search D30/13-18;
119/51 R

[56] References Cited

U.S. PATENT DOCUMENTS

- D. 162,139 2/1951 Ehrerfeld D30/14
- D. 189,453 12/1960 Sheppard D30/14
- D. 194,109 11/1962 Dilley D30/14
- D. 231,368 4/1974 Motter D30/14

- D. 231,743 6/1974 Nudd D30/13
- D. 234,522 3/1975 Fry D30/13
- D. 234,703 4/1975 Fry D30/13
- 2,230,058 1/1941 Hornung 119/51 R
- 2,349,868 5/1944 Hydo 119/51 R
- 2,524,502 10/1950 Wilkinson 119/51 R
- 3,145,690 8/1964 Bochman 119/51 R
- 3,645,235 2/1972 Sechla 119/51 R

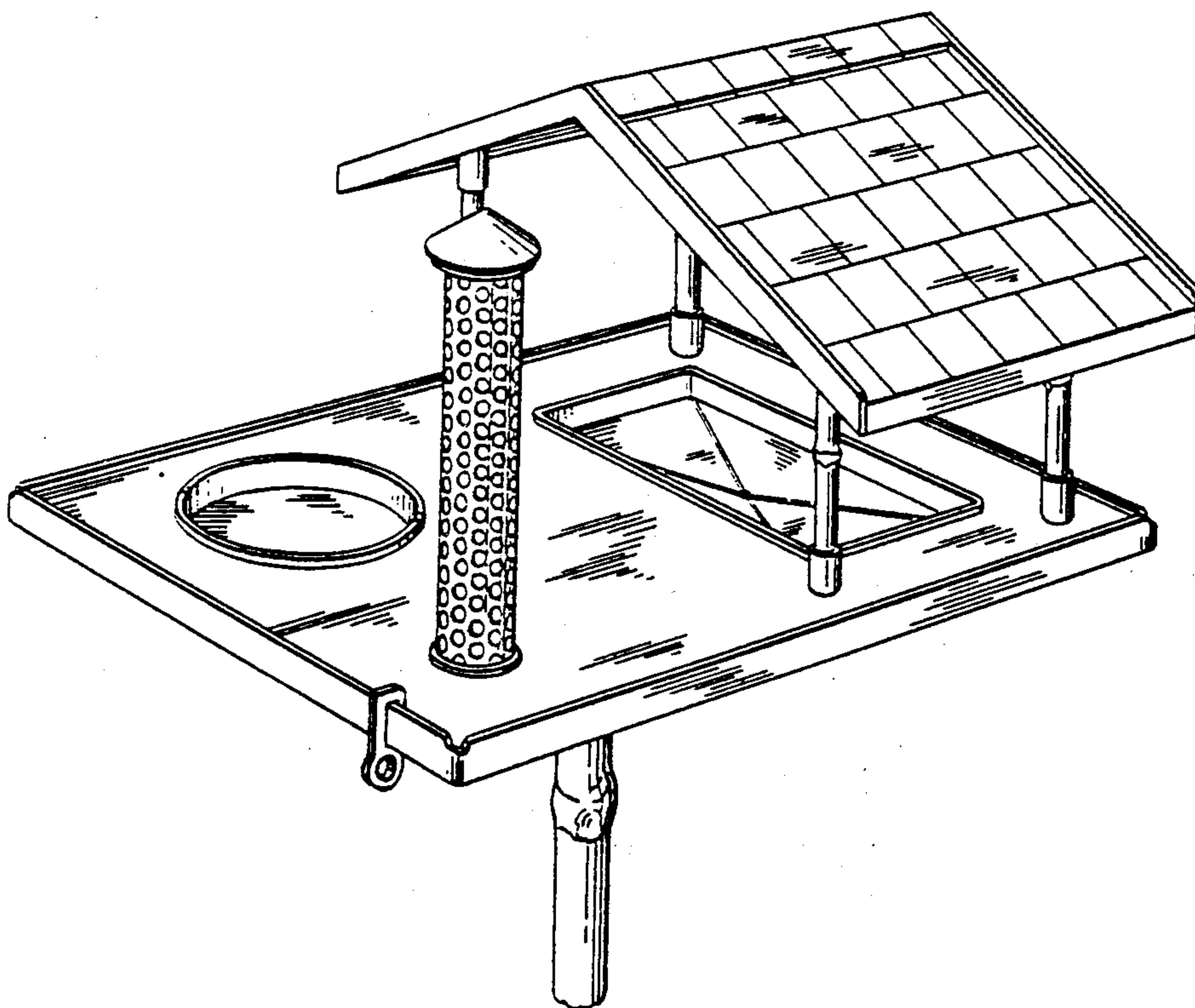
Primary Examiner—James R. Largen
Attorney, Agent, or Firm—C. O. Marshall, Jr.

[57] CLAIM

The ornamental design for a bird feeder, as shown and described.

DESCRIPTION

FIG. 1 is a right side elevational view of a bird feeder showing my new design;
FIG. 2 is an enlarged scale perspective view taken from the top, front and right side thereof;
FIG. 3 is a left side elevational view of FIG. 2;
FIG. 4 is a rear elevational view of FIG. 2; and
FIG. 5 is a bottom plan view of FIG. 2.
The support pole has been broken away in FIGS. 2 through 5 for convenience of illustration.



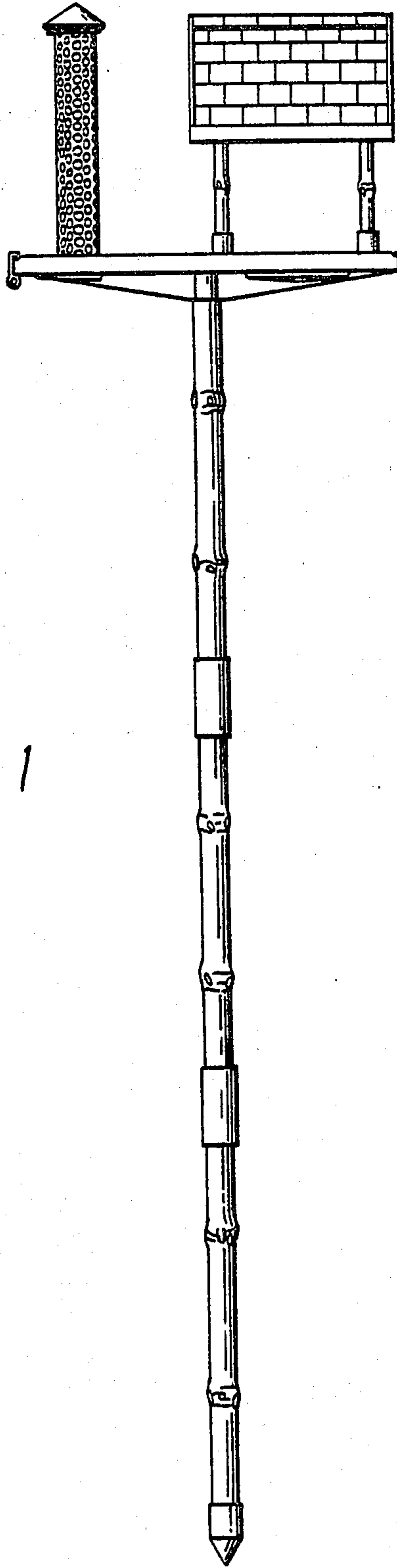


Fig. 1

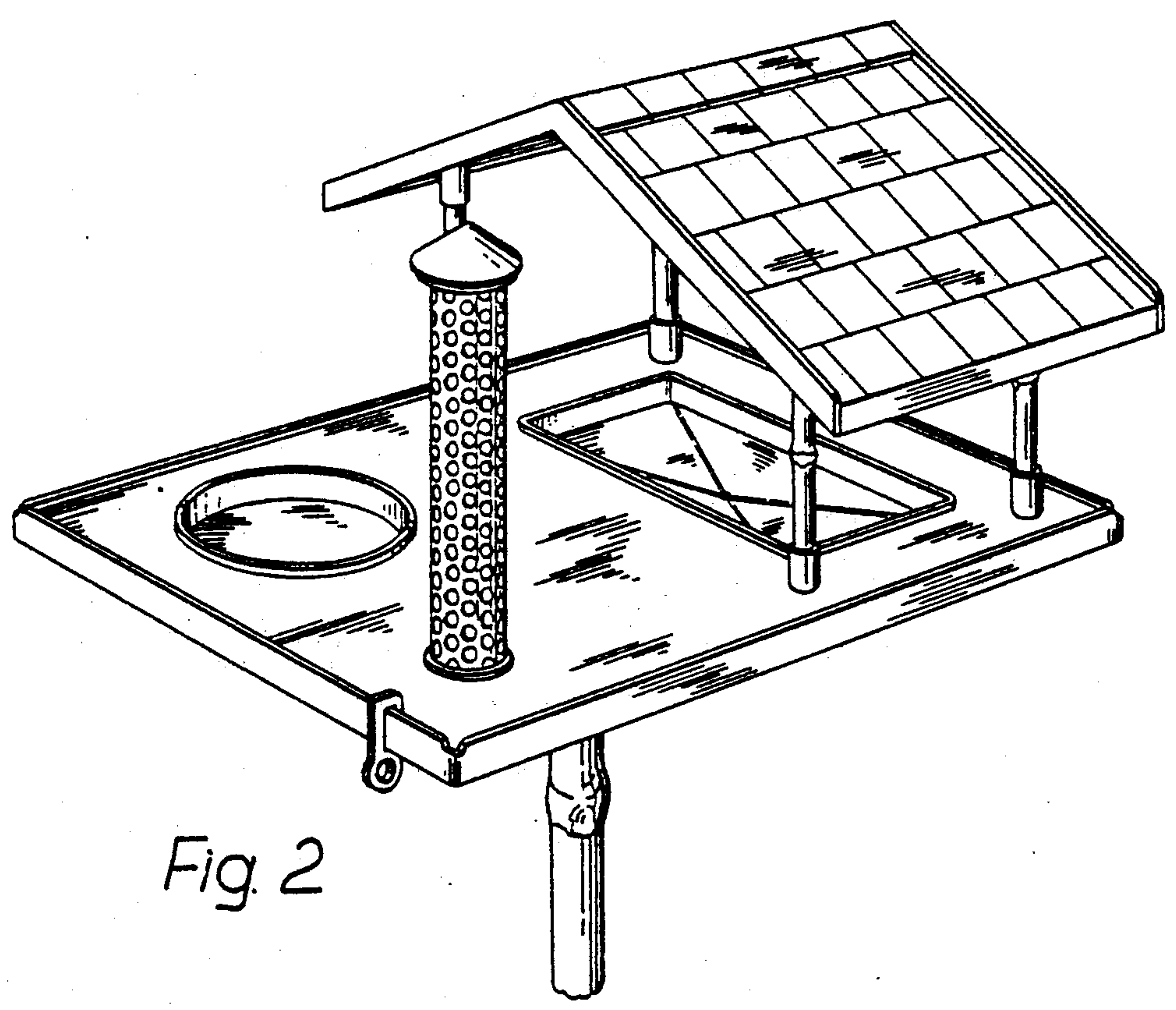


Fig. 2

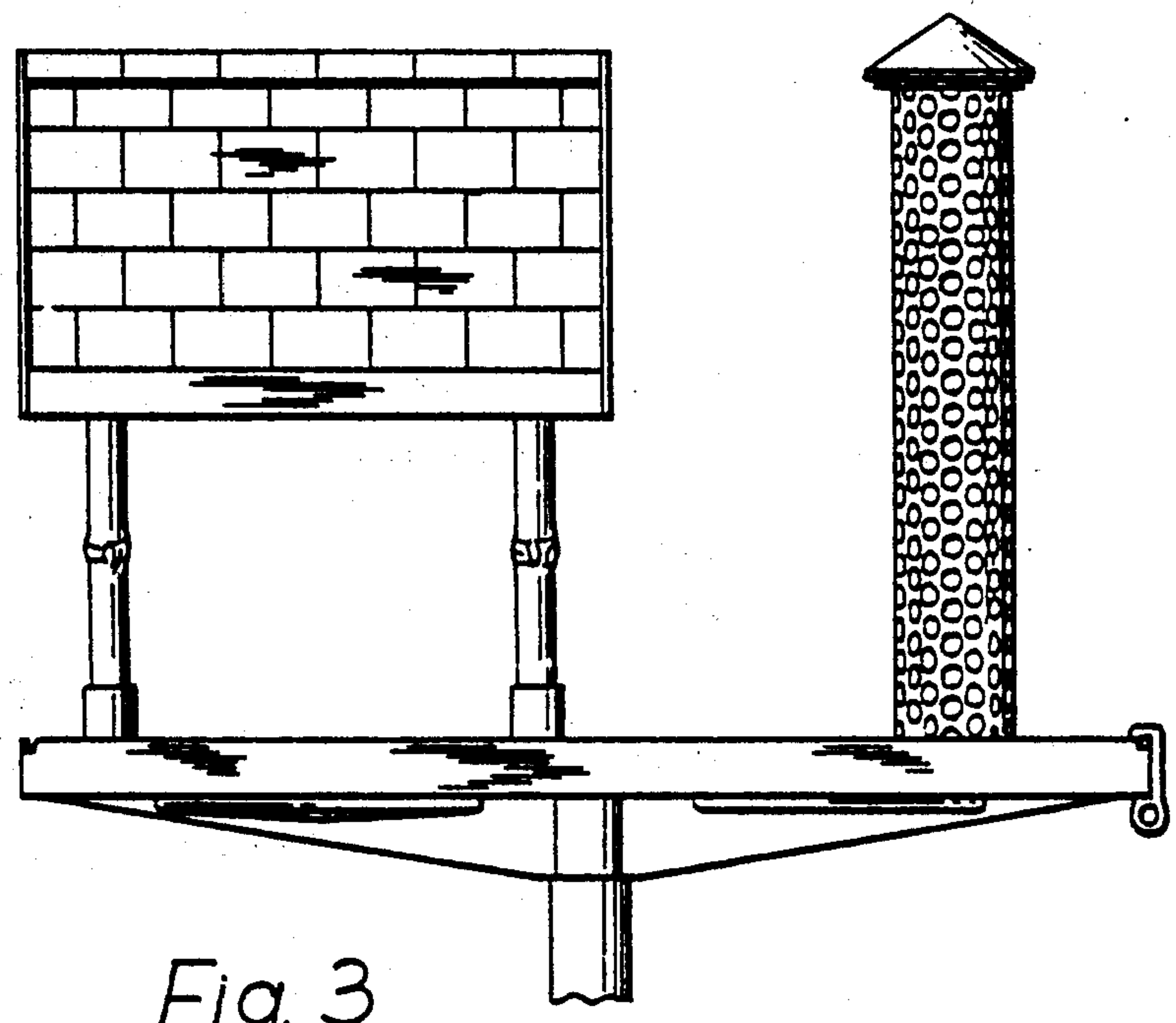


Fig. 3

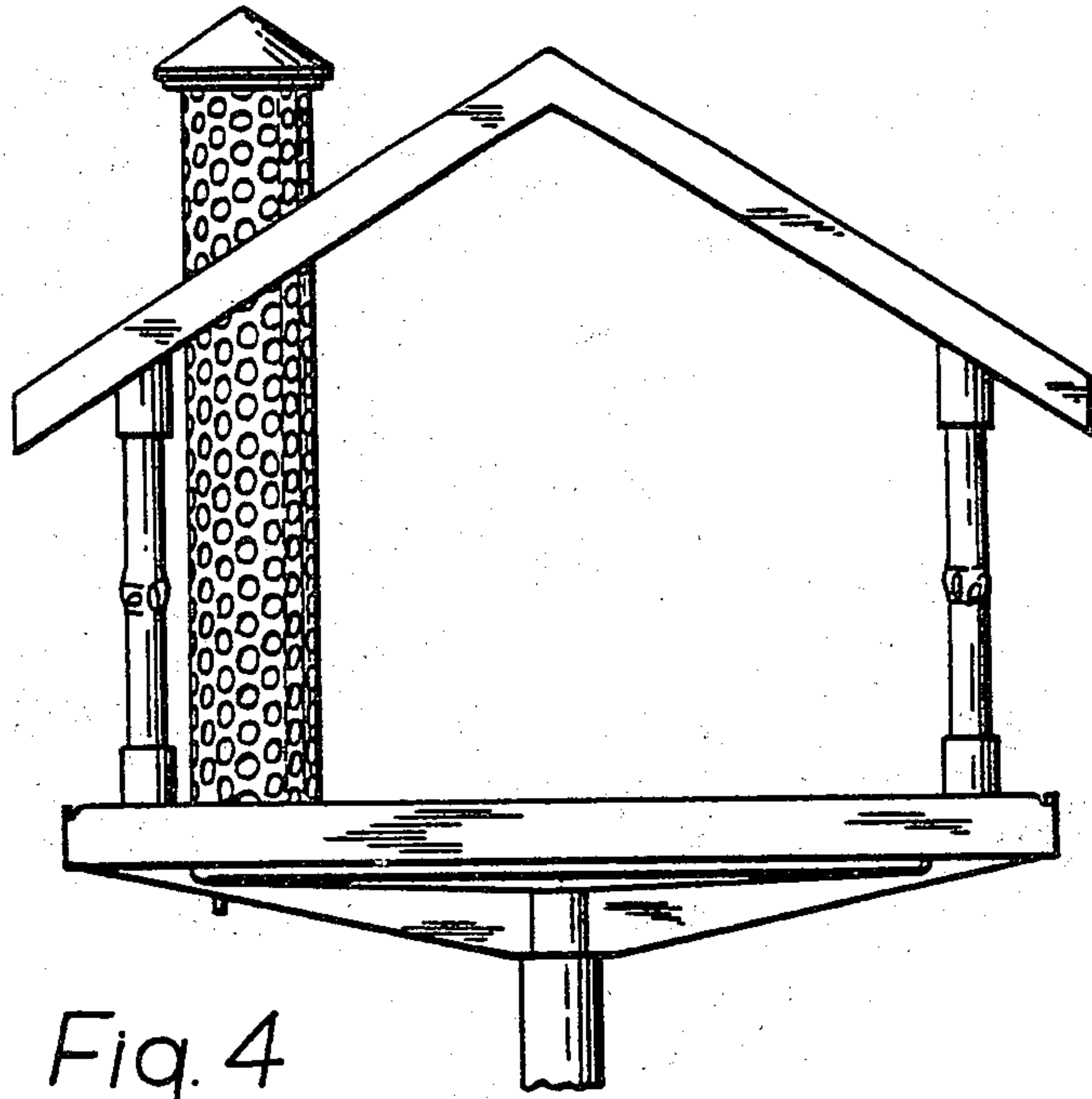


Fig. 4

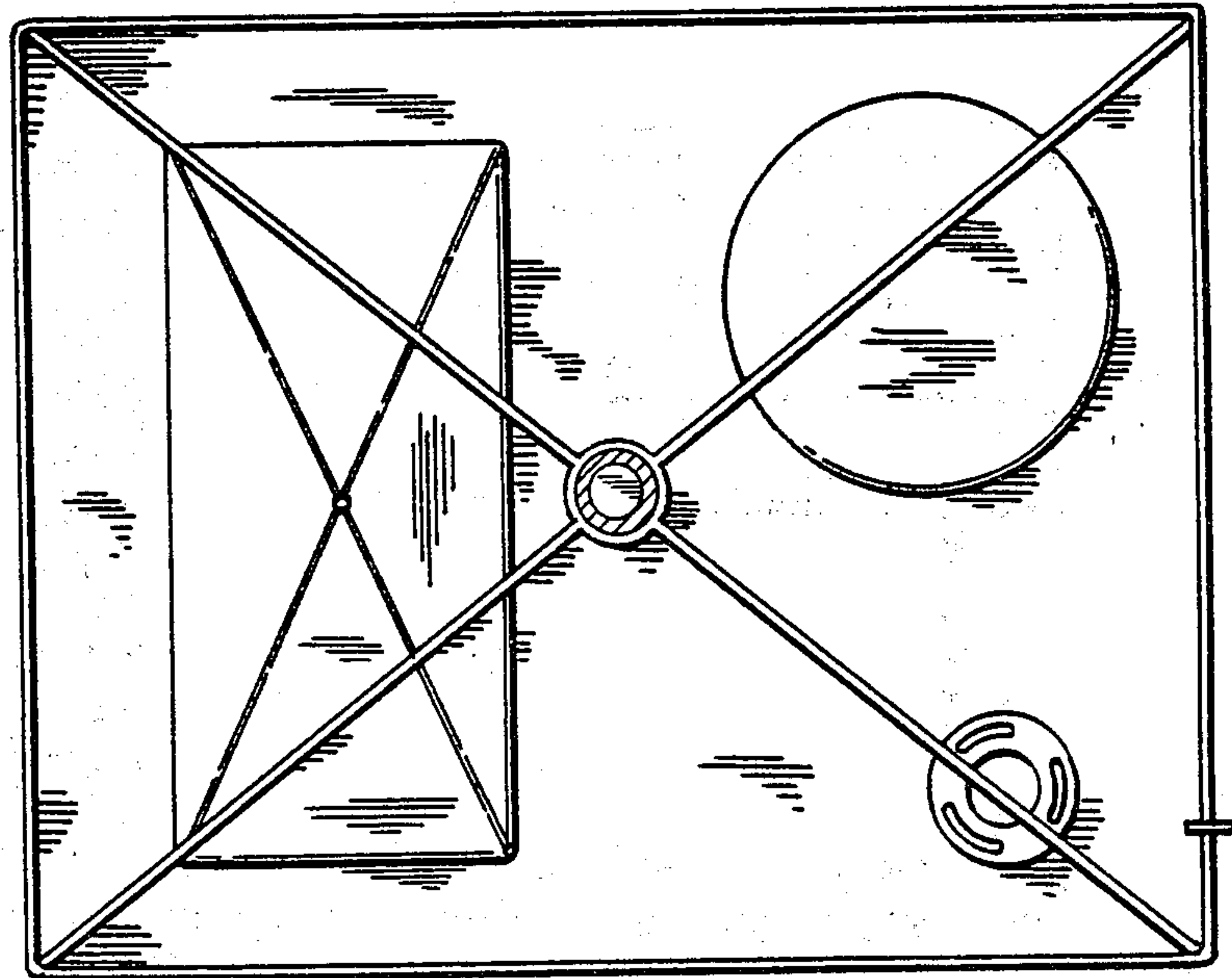


Fig. 5