

[54] GAME BIRD RELEASING BOX

[75] Inventors: Robert L. Hann; Richard L. Boswell, both of Loveland, Colo.

[73] Assignee: Duck Haven, Inc., Loveland, Colo.

[**] Term: 14 Years

[21] Appl. No.: 359,101

[22] Filed: Mar. 17, 1982

[52] U.S. Cl. D30/1

[58] Field of Search D30/1-5, D30/41, 42, 99; 119/15.6

[56] References Cited

U.S. PATENT DOCUMENTS

D. 211,526	6/1968	Ikelheimer	D30/1
D. 254,631	4/1980	Albright	D30/1
903,918	11/1908	Thrower	119/19 X
2,642,036	6/1953	Stuart	119/15.6

3,310,032	3/1967	Adams	119/15.6
3,357,405	12/1967	Stormon et al.	119/15.6
3,509,855	5/1970	Priddy, Jr.	119/19
3,834,352	9/1974	Gervis	119/17
3,941,092	3/1976	Winters	D30/1 X
4,181,911	1/1980	Black	119/15.6
4,397,398	8/1983	Watanabe	119/19

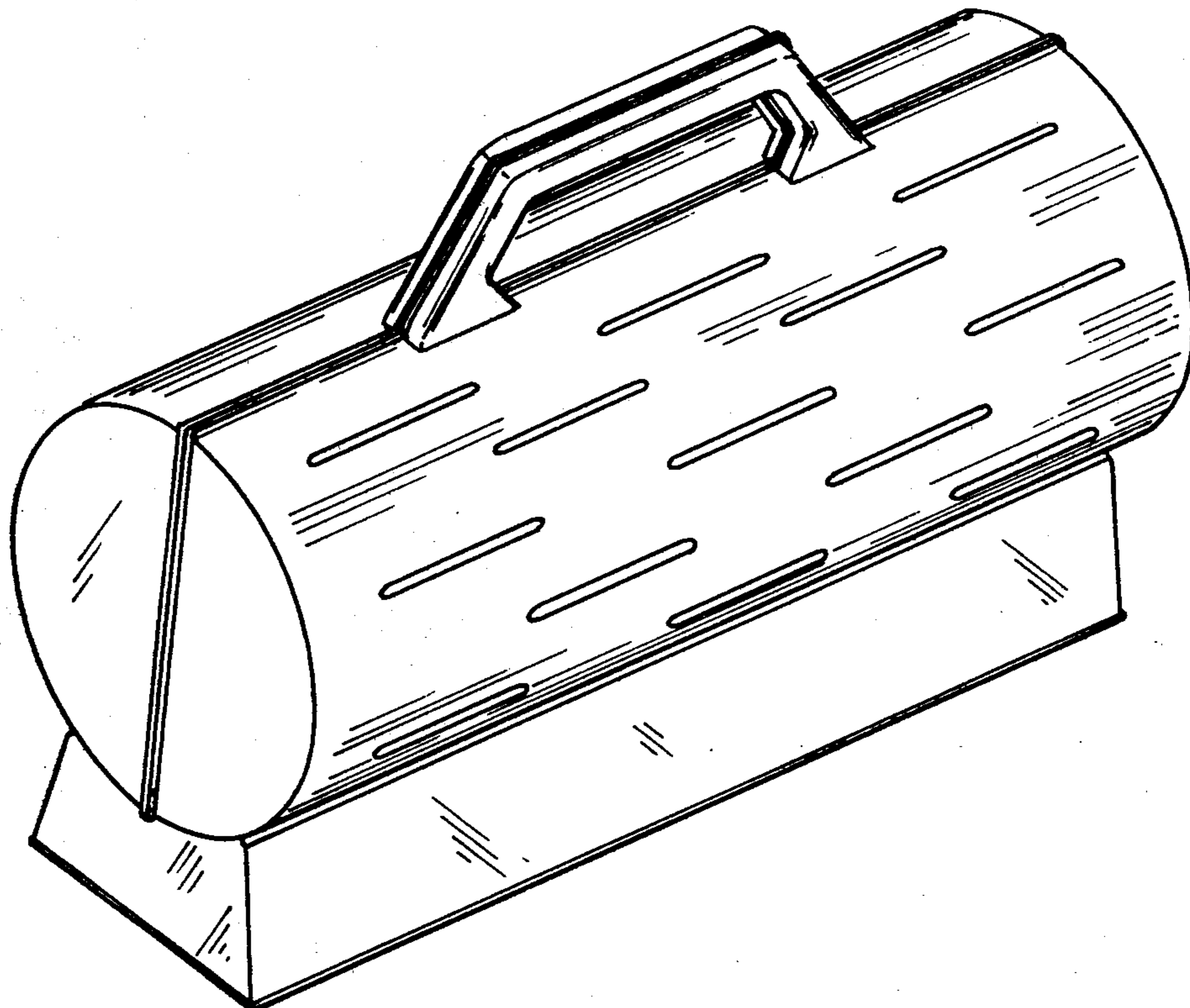
Primary Examiner—James R. Largen
Attorney, Agent, or Firm—William E. Hein

[57] CLAIM

The ornamental design for a game bird releasing box, as shown and described.

DESCRIPTION

FIG. 1 is a top perspective view of a game bird releasing box showing our new design; FIG. 2 is a left end elevational view thereof, the right end being the same as the left end shown; and FIG. 3 is a front elevational view thereof, the rear being the same as the front shown.



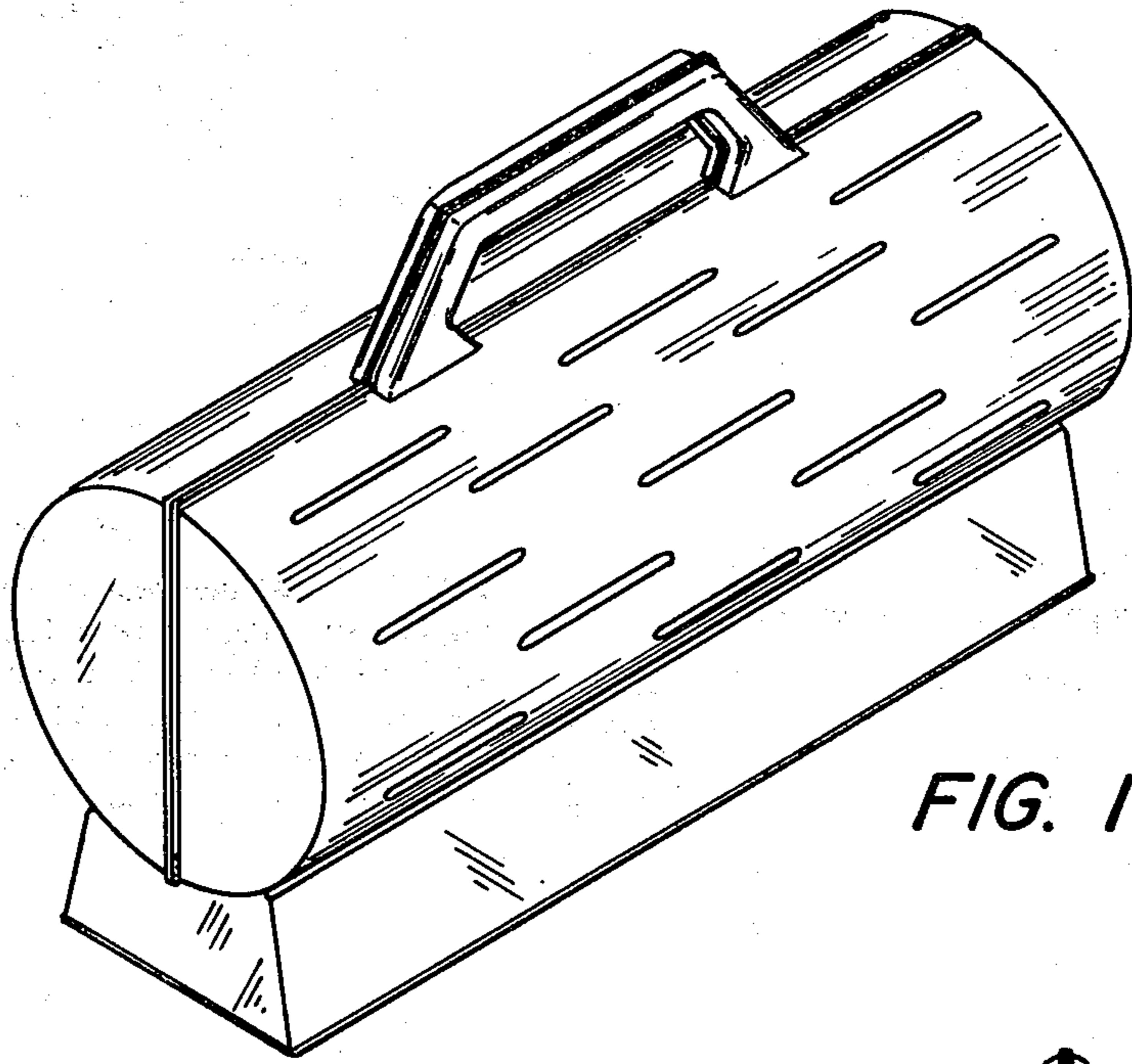


FIG. 1

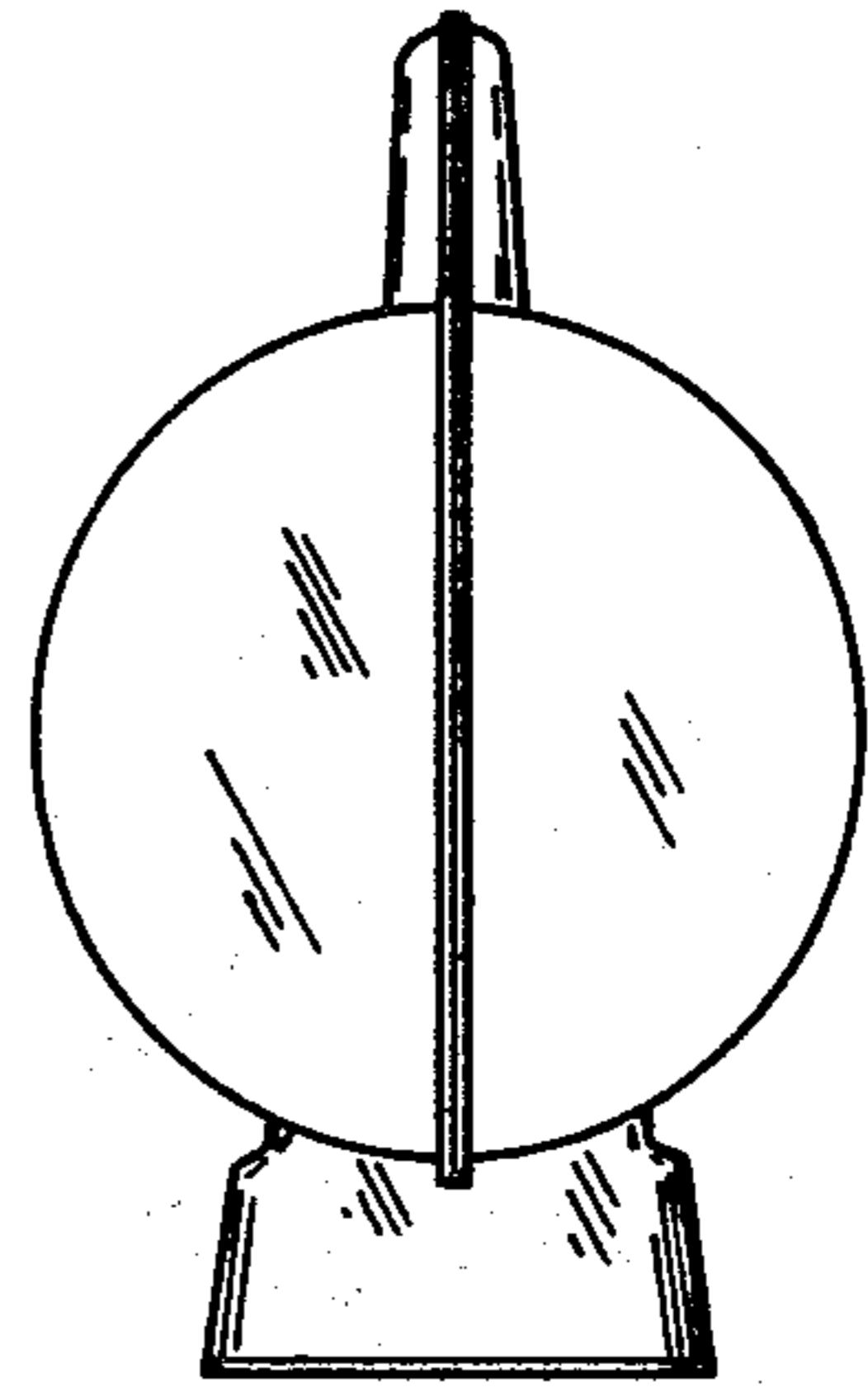


FIG. 2

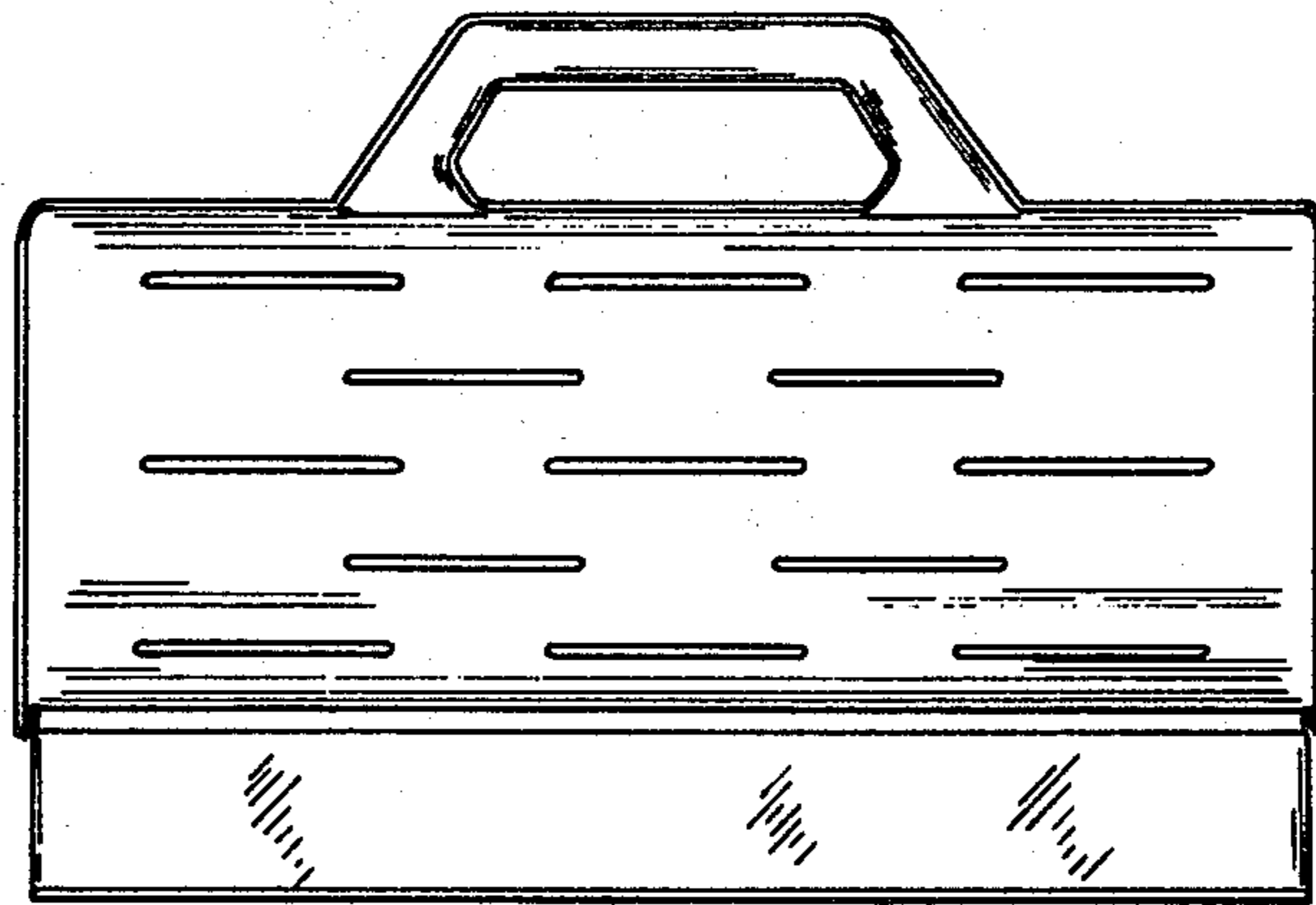


FIG. 3