

[54] AUTOMOBILE FOG LAMP GUARD

[76] Inventor: Helmut Habicht, 15 Royal Park Ter., Hillsdale, N.J. 07642

[**] Term: 14 Years

[21] Appl. No.: 373,270

[22] Filed: Apr. 29, 1982

[52] U.S. Cl. D26/139

[58] Field of Search D26/28, 34, 35, 36, D26/118, 119, 138, 139, 140; 362/61, 64, 72, 80, 82, 83, 344, 359, 376; 340/83, 84, 87, 93-97

[56] References Cited

U.S. PATENT DOCUMENTS

- D. 190,677 6/1961 Bruce D26/139
- 2,773,973 12/1956 Hoard et al. 362/376
- 2,975,401 3/1961 Shupe 340/84

- 3,828,178 8/1974 Bickel D26/28 X
- 4,058,720 11/1977 Renfrow 362/82
- 4,222,092 9/1980 Bray 362/80

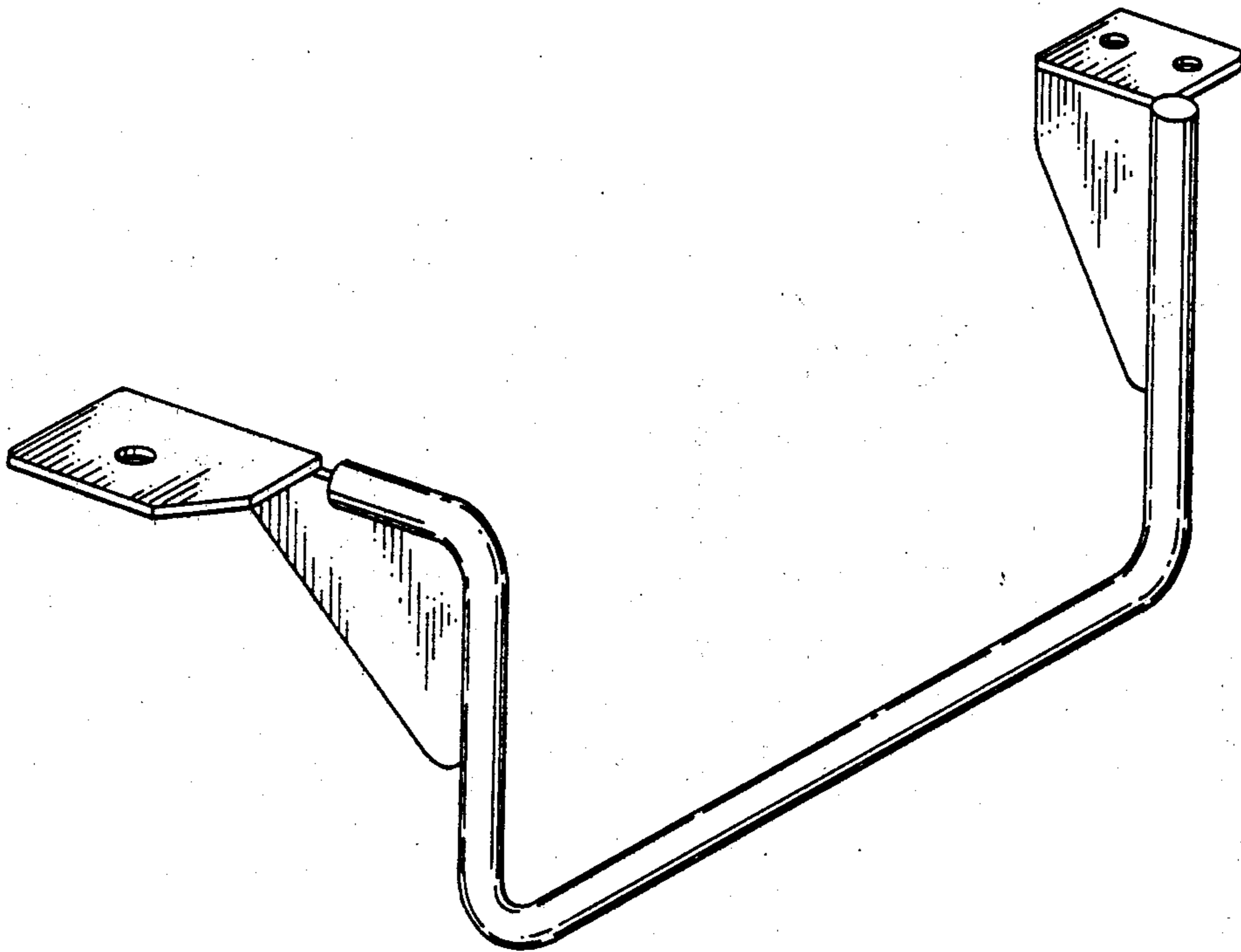
Primary Examiner—Susan J. Lucas
Attorney, Agent, or Firm—Anthony F. Cuoco

[57] CLAIM

The ornamental design for an automobile fog lamp guard, as shown and described.

DESCRIPTION

FIG. 1 is a pictorial view of an automobile fog lamp guard showing my new design.
 FIG. 2 is a left side elevational view thereof.
 FIG. 3 is a right side elevational view thereof.
 FIG. 4 is a top plan view thereof.
 FIG. 5 is a front elevational view thereof, the fog lamp being shown in broken lines for illustrative purposes only.



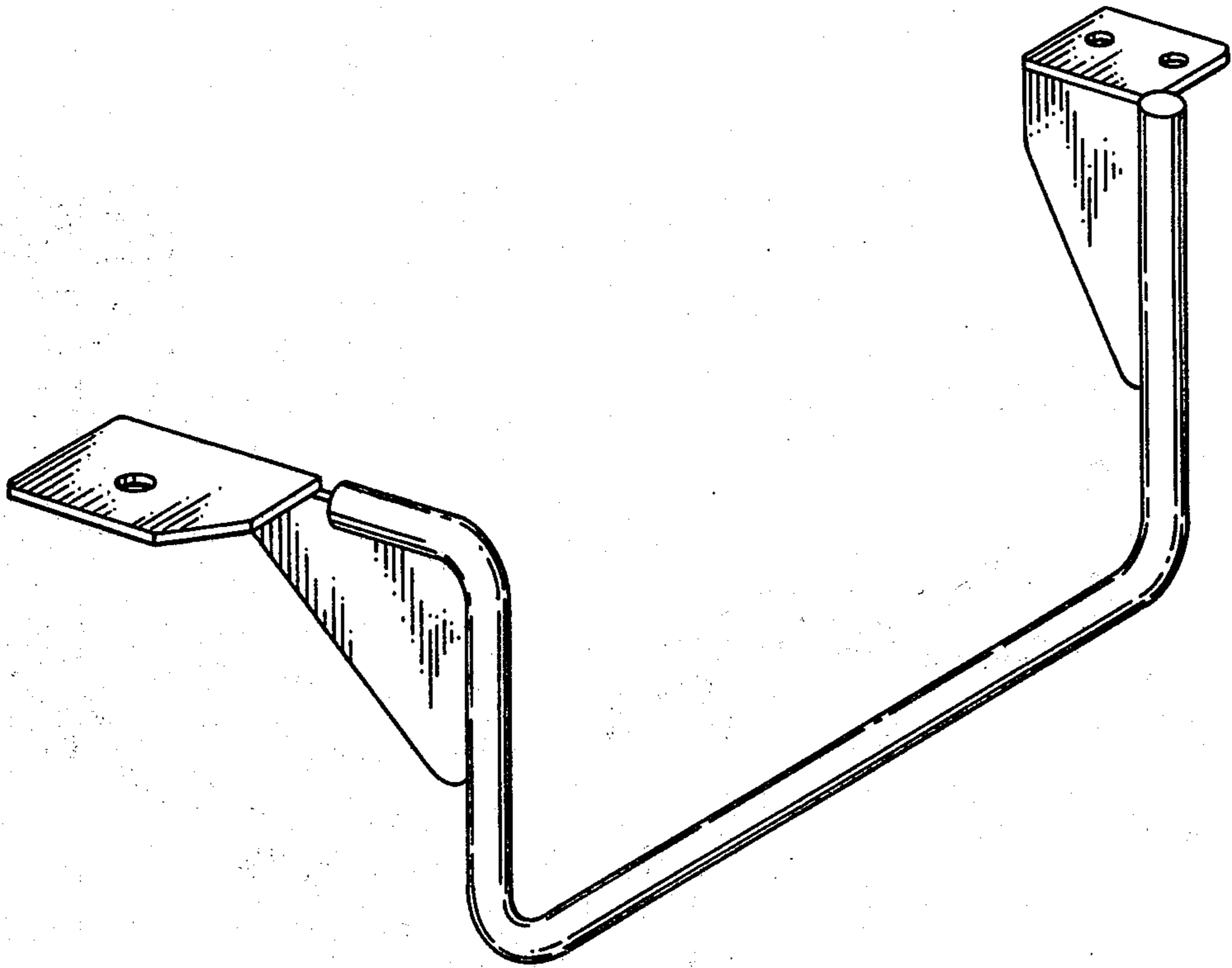


FIG. 1

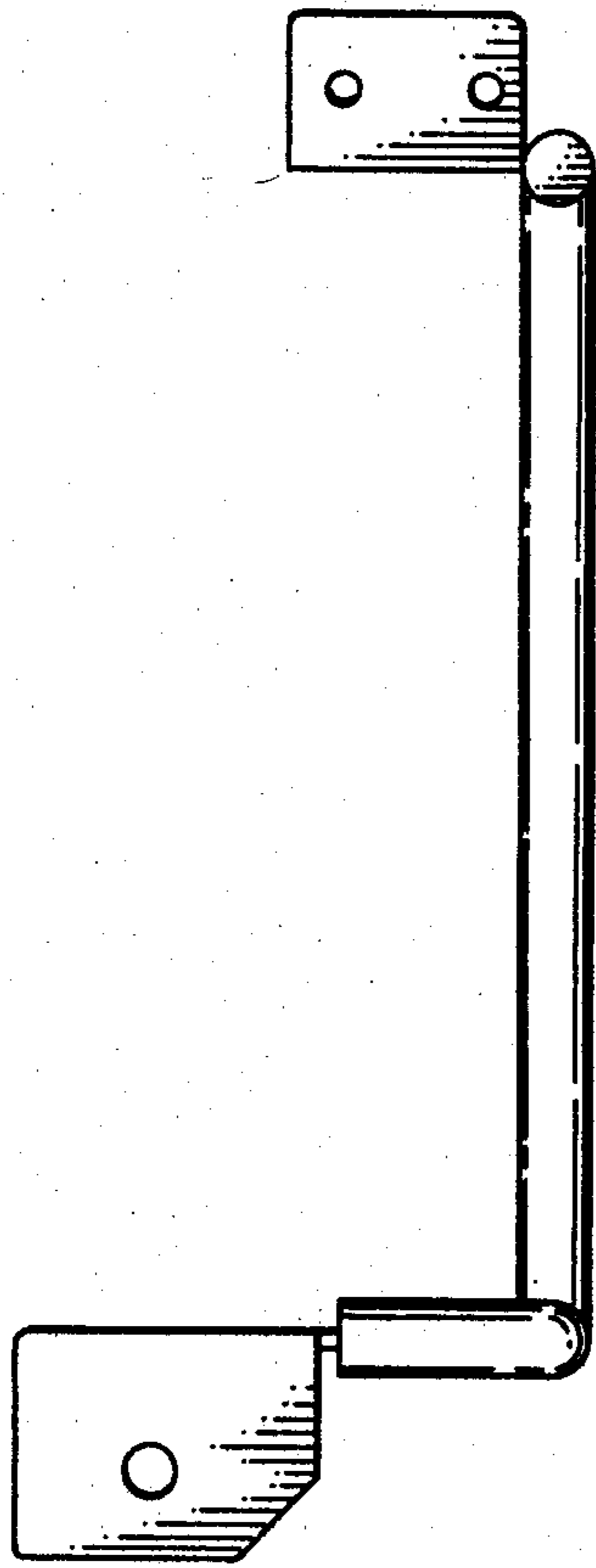


FIG. 4

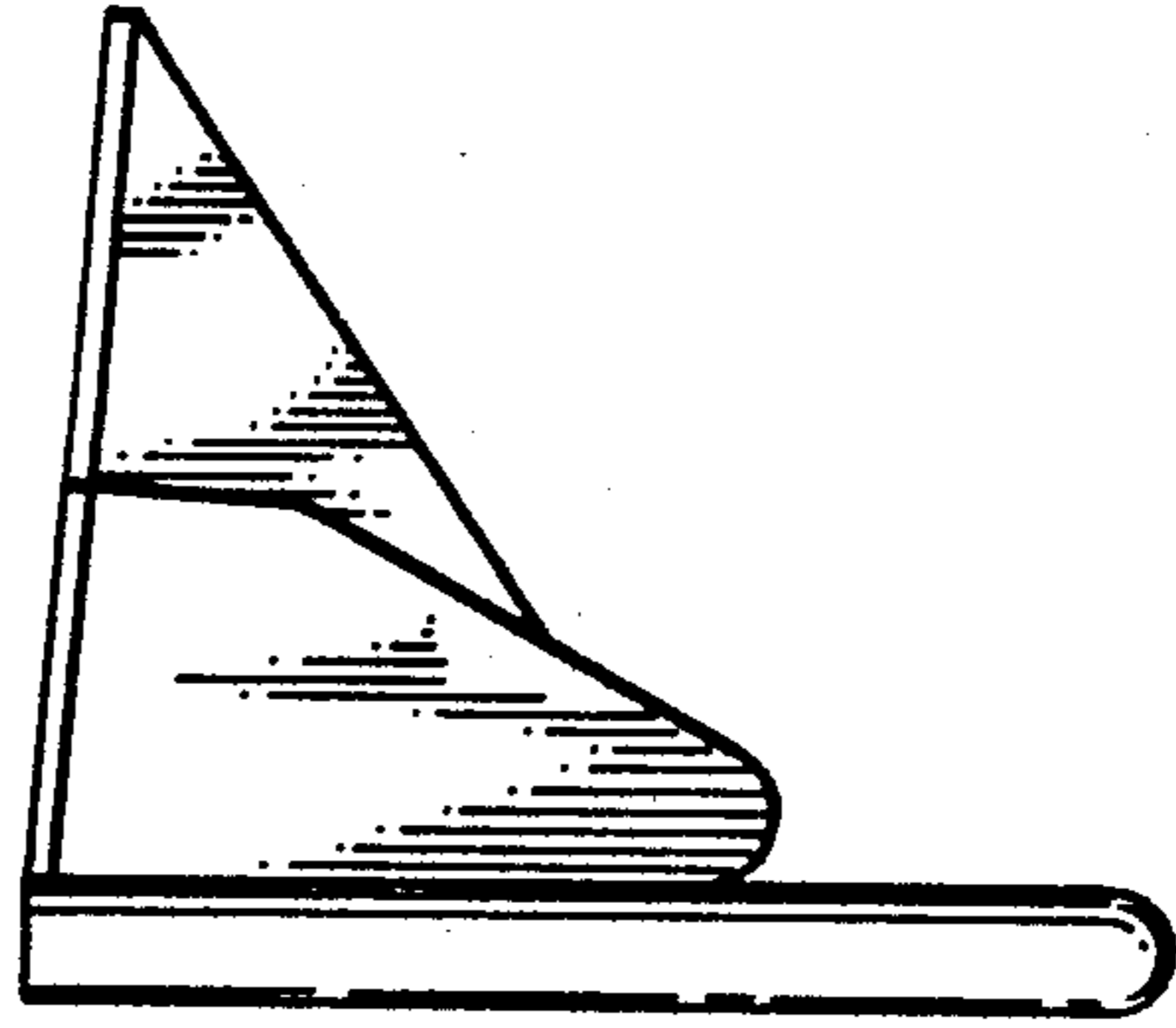


FIG. 2

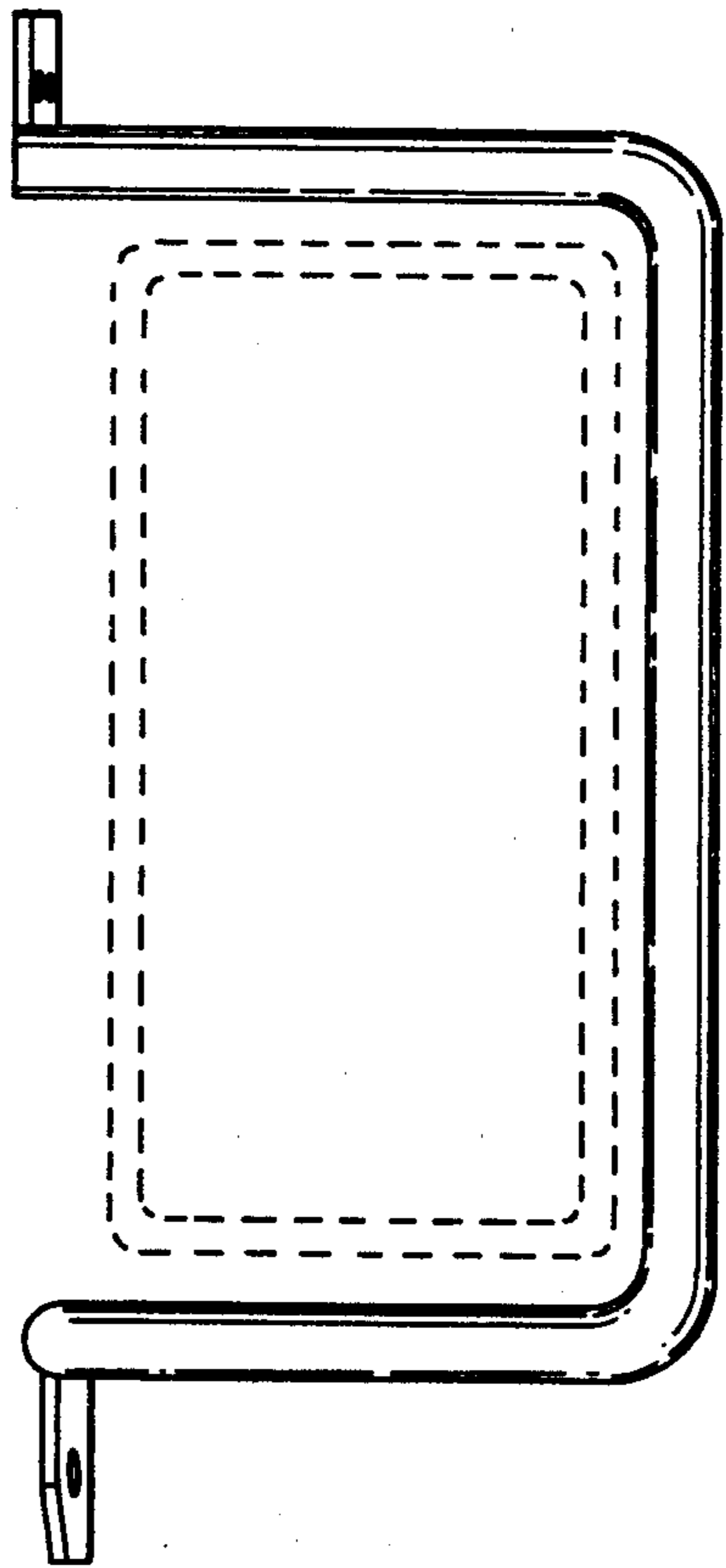


FIG. 5

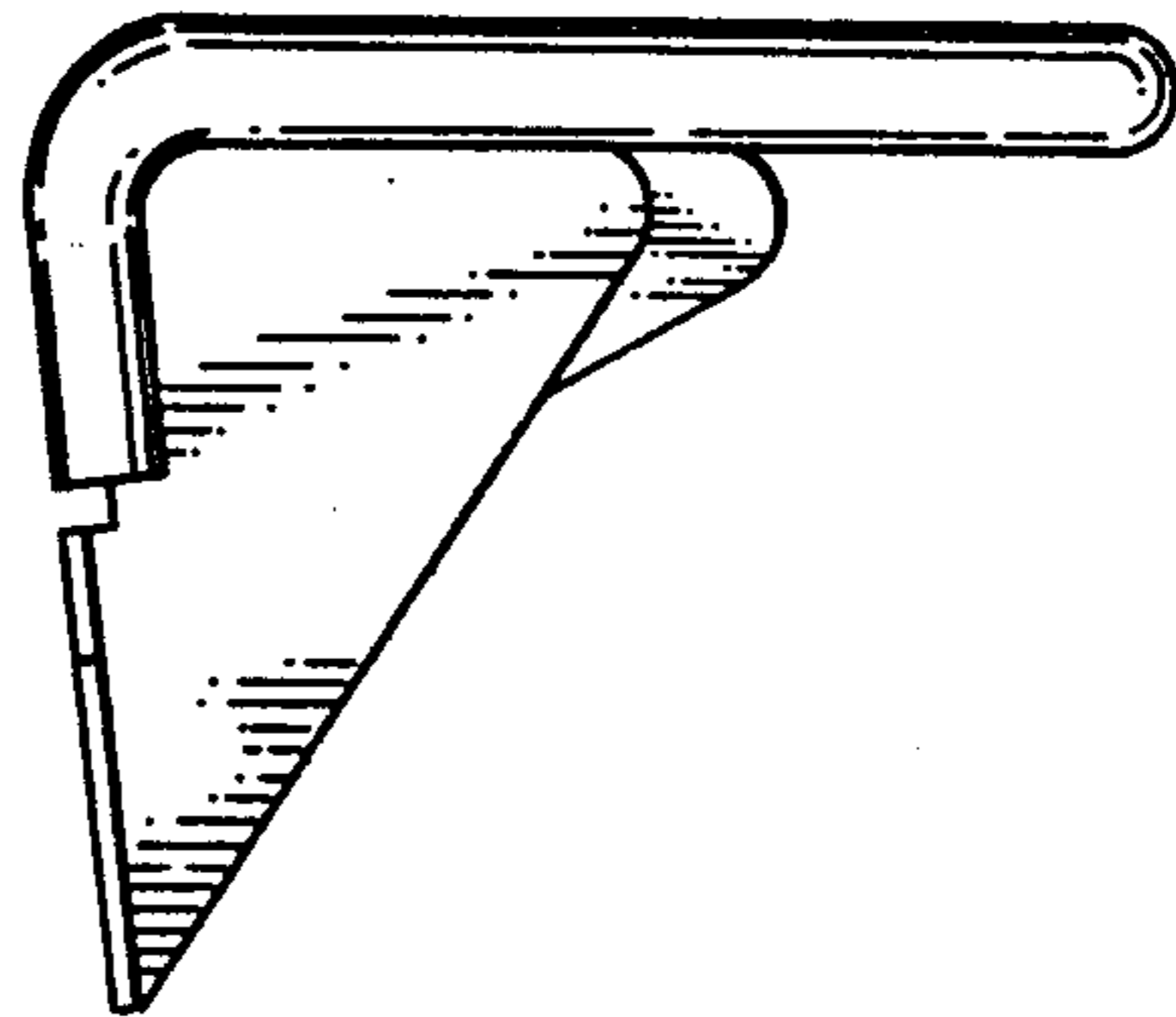


FIG. 3