

- [54] **AUTOMOBILE FOG LAMP GUARD**
- [76] Inventor: **Helmut Habicht**, 15 Royal Park Ter., Hillsdale, N.J. 07642
- [**] Term: **14 Years**
- [21] Appl. No.: **373,230**
- [22] Filed: **Apr. 29, 1982**
- [52] U.S. Cl. **D26/139**
- [58] Field of Search **D26/28, 34, 35, 36, D26/118, 119, 138, 139, 140; 362/61, 64, 72, 80, 82, 83, 344, 359, 376; 340/83, 84, 87, 93-97**

3,828,178	8/1974	Bickel	D26/28 X
4,058,720	11/1977	Renfrow	362/82
4,222,092	9/1980	Bray	362/80

Primary Examiner—Susan J. Lucas
Attorney, Agent, or Firm—Anthony F. Cuoco

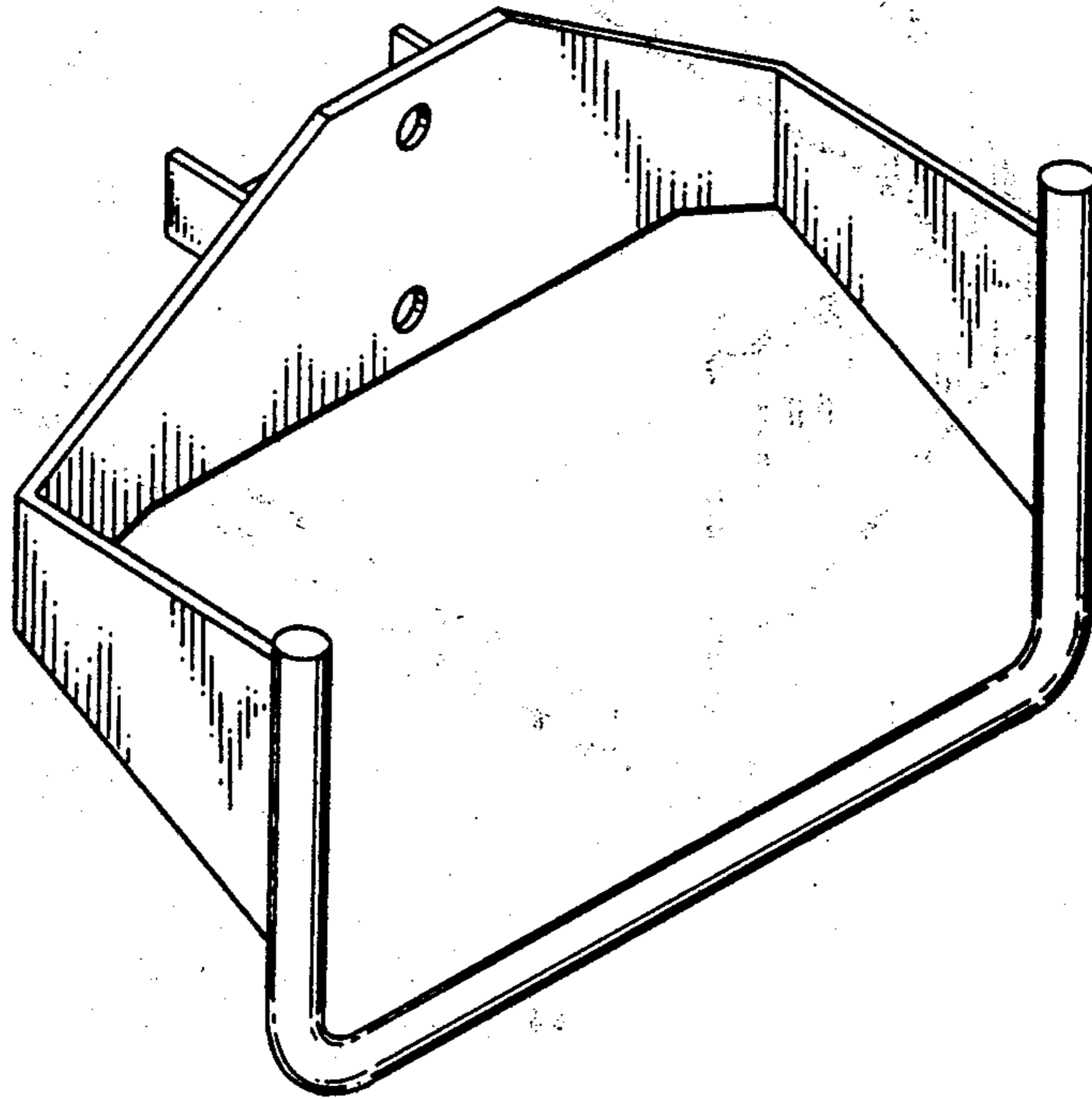
[57] **CLAIM**

The ornamental design for an automobile fog lamp guard, as shown and described.

DESCRIPTION

FIG. 1 is a pictorial view of an automobile fog lamp guard showing my new design.
 FIG. 2 is a left side elevational view thereof.
 FIG. 3 is a right side elevational view thereof.
 FIG. 4 is a top plan view thereof.
 FIG. 5 is a front elevational view thereof, the fog lamp being shown in broken lines for illustrative purposes only.

- [56] **References Cited**
- U.S. PATENT DOCUMENTS**
- D. 190,677 6/1961 Bruce D26/139
- 2,773,973 12/1956 Hoard et al. 362/376
- 2,975,401 3/1961 Shupe 340/84



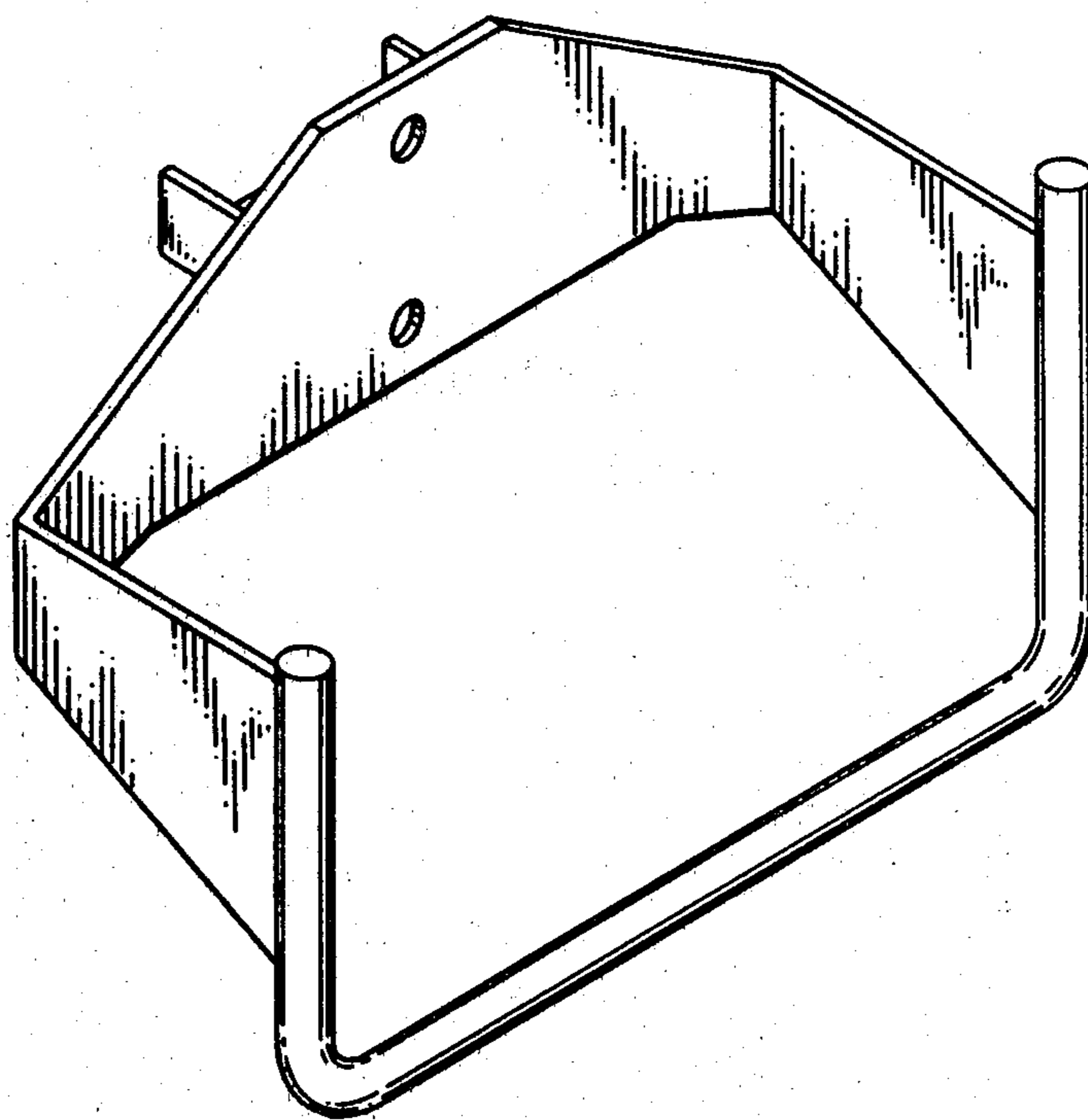


FIG. 1

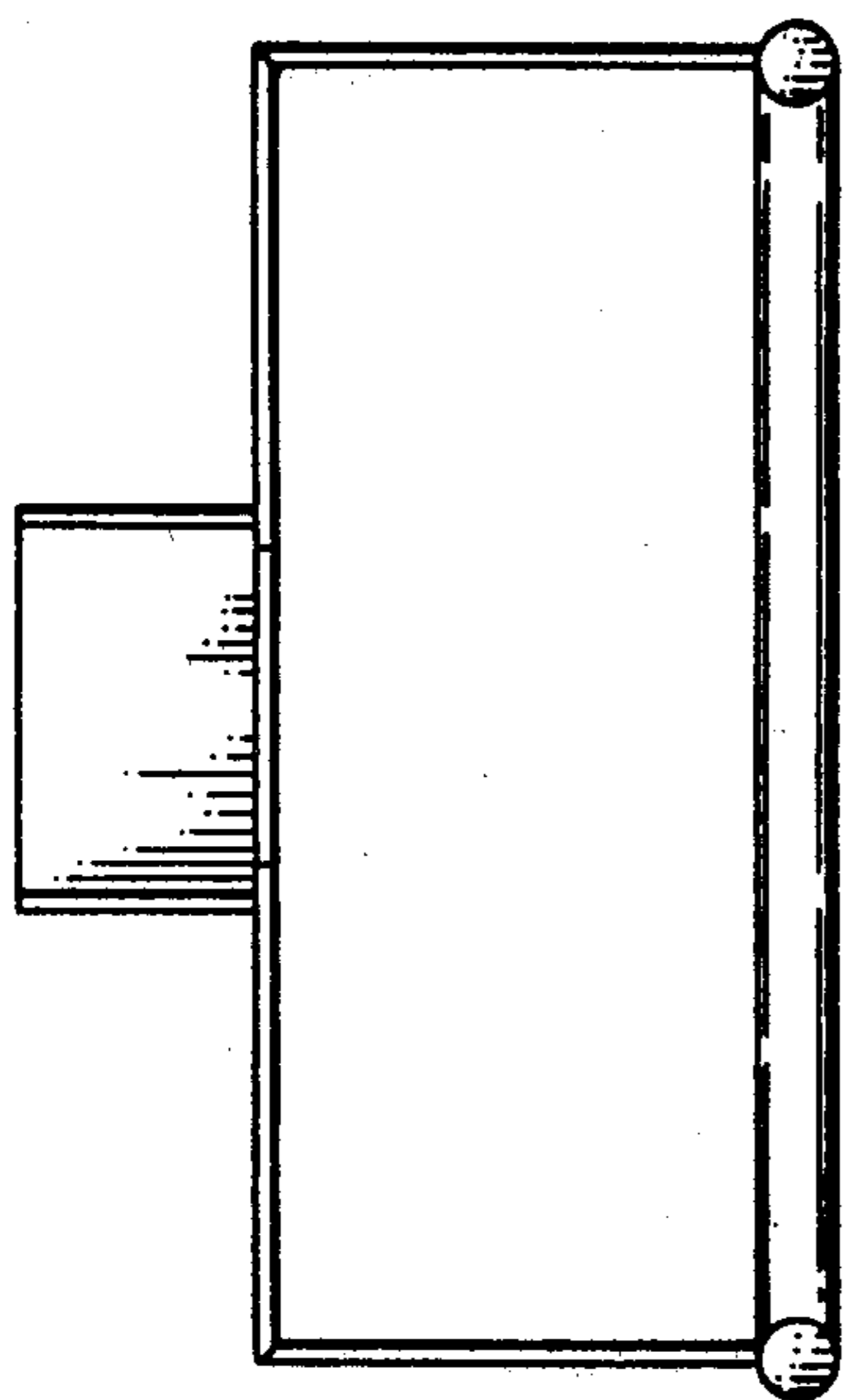


FIG. 4

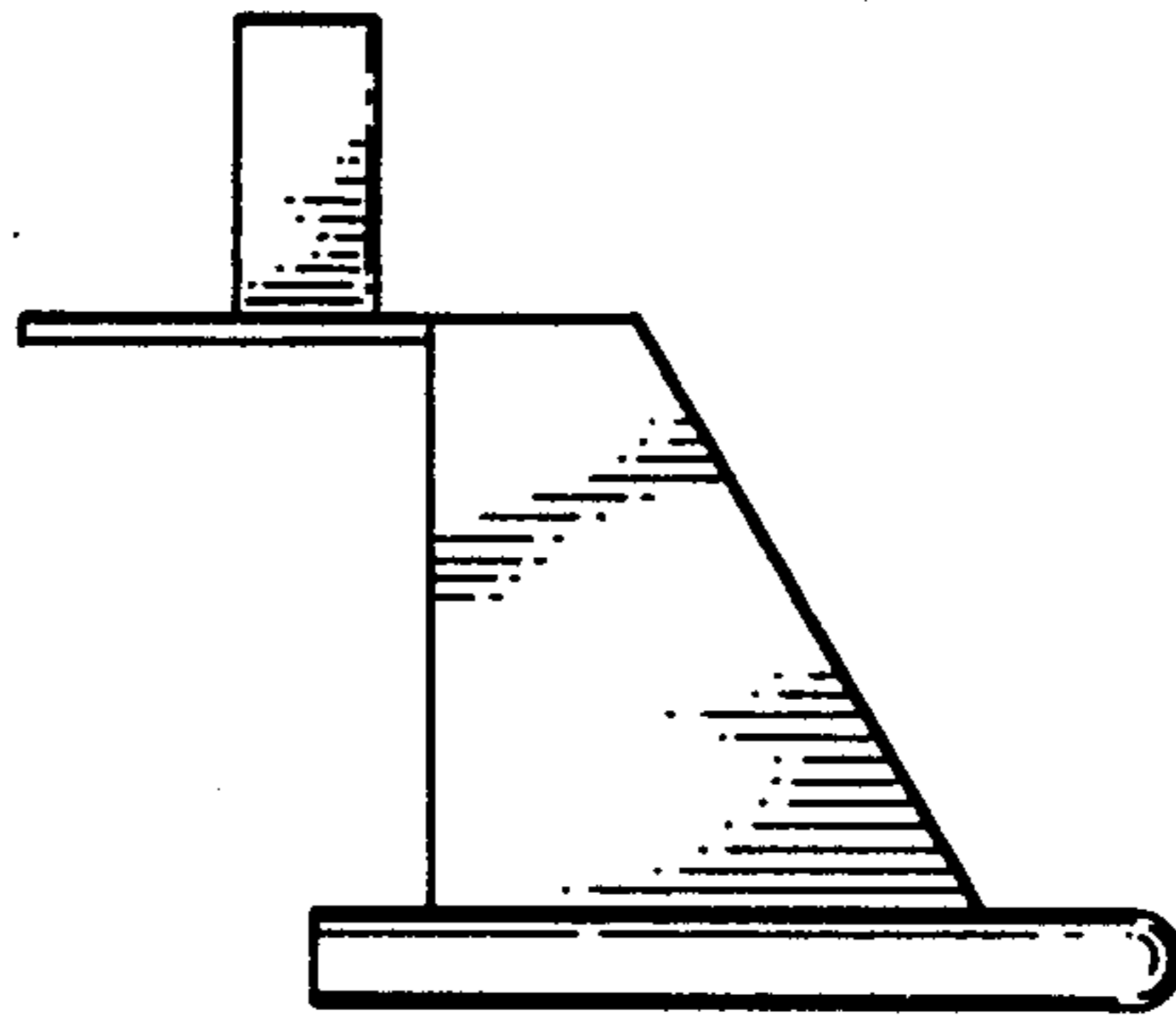


FIG. 2

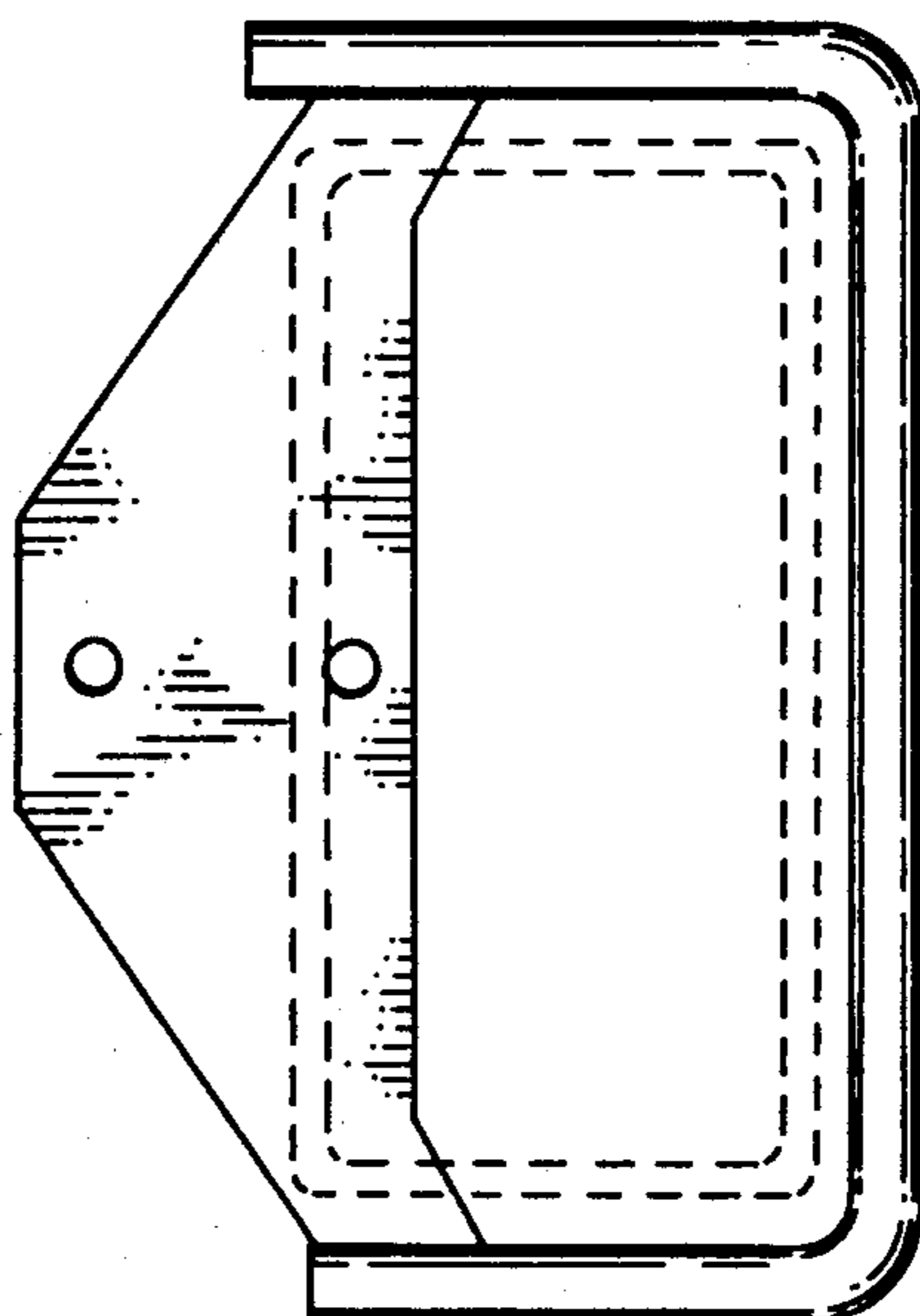


FIG. 5

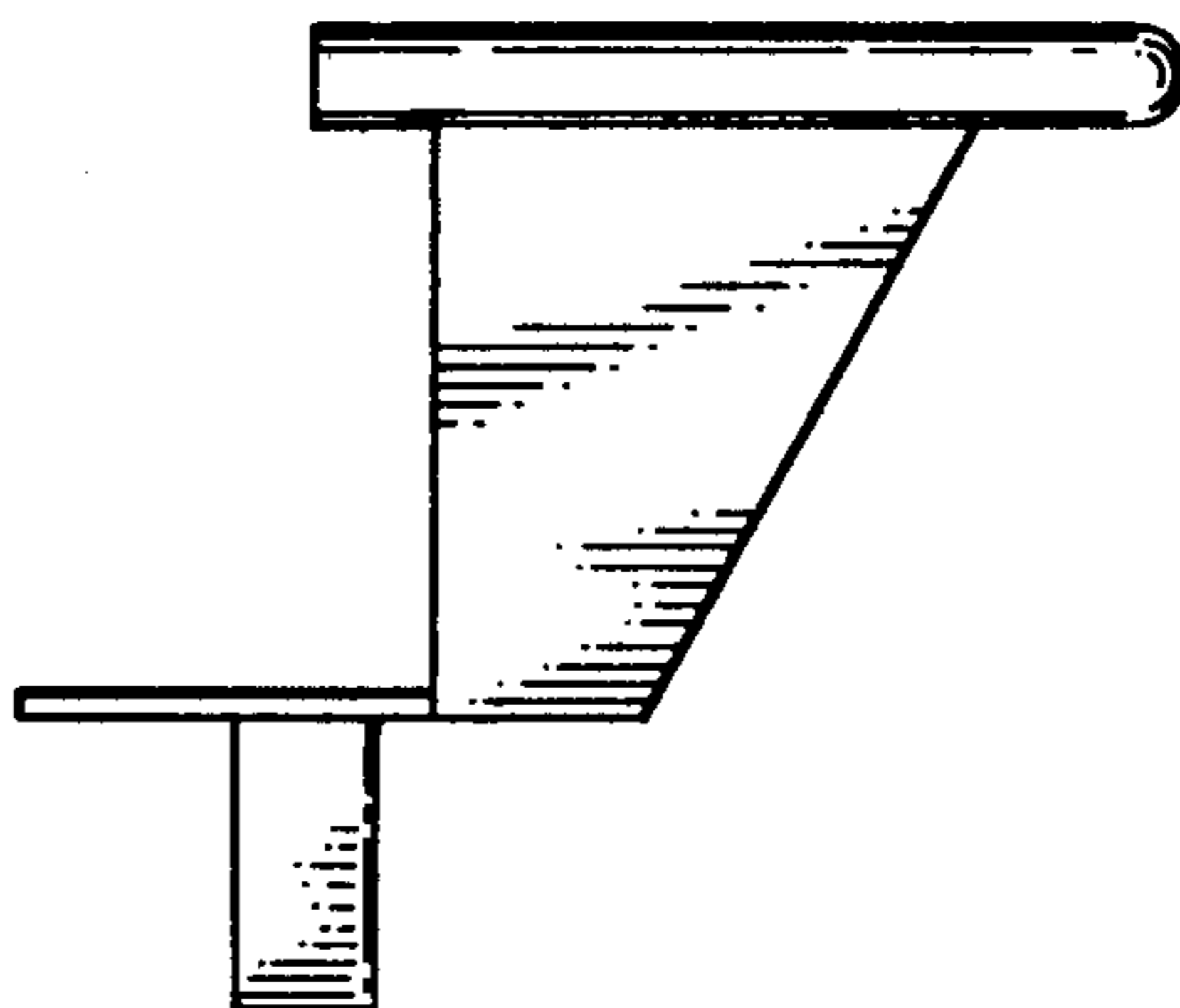


FIG. 3