

[54] COLLAPSIBLE SAW HORSE OR THE LIKE

Attorney, Agent, or Firm—Arthur G. Yeager

[76] Inventor: Casimir H. Lipinski, 503 S. 17th St.,
Fernandina Beach, Fla. 32034

[57] CLAIM

The ornamental design for collapsible saw horse or the like, substantially as shown and described.

[**] Term: 14 Years

DESCRIPTION

[21] Appl. No.: 390,304

FIG. 1 is a top plan view of the collapsible saw horse or the like in accord with my new design, the design being shown in its collapsed position;

[22] Filed: Jun. 21, 1982

FIG. 2 is a front elevational view thereof;

[52] U.S. Cl. D25/67

FIG. 3 is a left end elevational view thereof;

[58] Field of Search D25/66, 67; 182/152,
182/153, 154, 181

FIG. 4 is a right end elevational view thereof;

[56] References Cited

U.S. PATENT DOCUMENTS

FIG. 5 is a bottom plan view thereof;

FIG. 6 is a partial back elevational view thereof;

2,825,606 3/1958 Rebensdorf 182/153

FIG. 7 is an enlarged top plan view thereof with the bolt and thumb nut removed from FIG. 1 and the bolt inserted into aligned vertical openings to lock the design in a 45° angular position; and

3,504,766 4/1970 Boyd 182/152 X

FIG. 8 is a view similar to FIG. 7, but showing the design in a 90° angular position.

4,168,052 9/1979 Calderaro 182/152 X

4,319,663 3/1982 Barden 182/154

Primary Examiner—A. Hugo Word

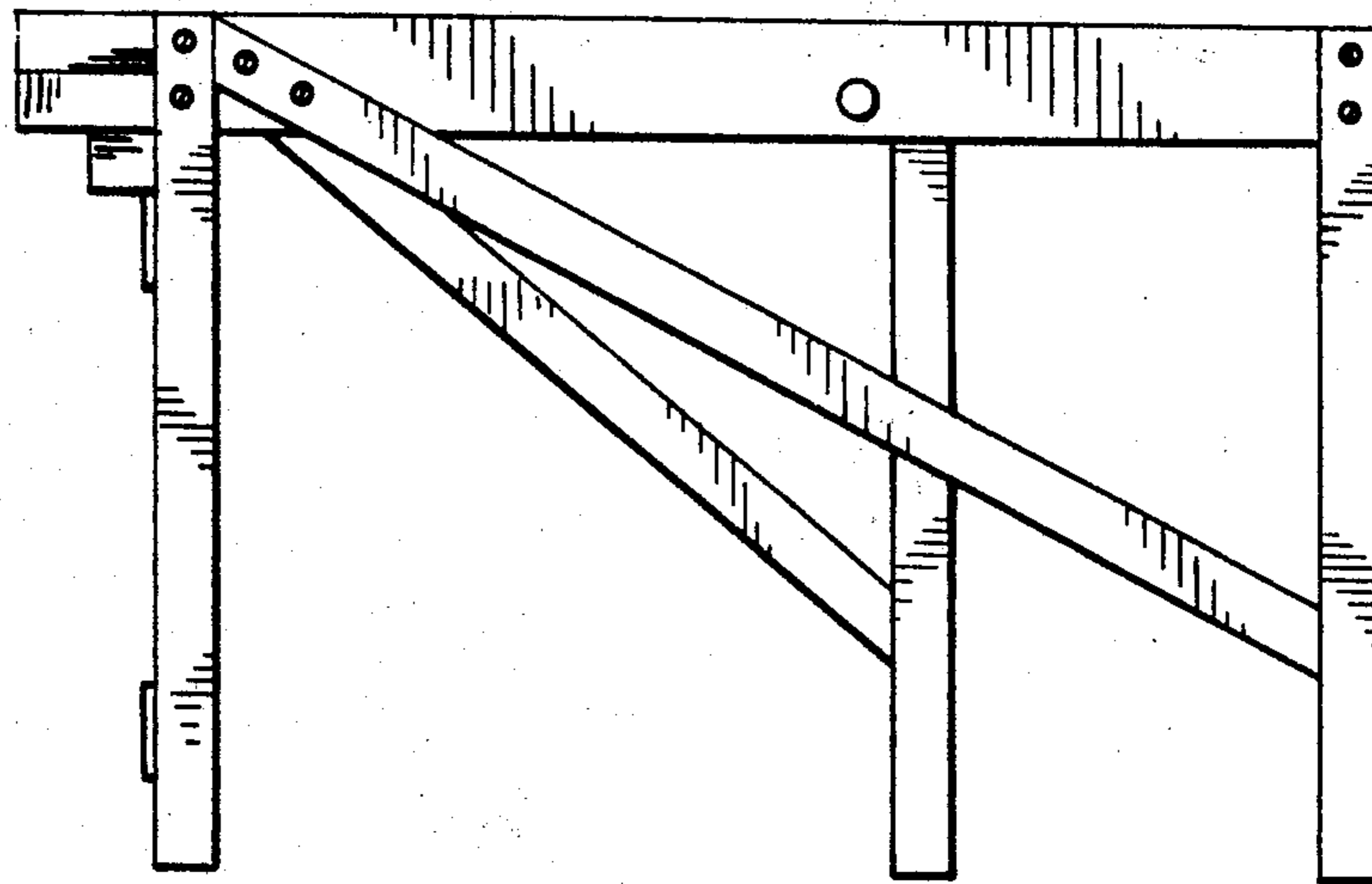


FIG. 1

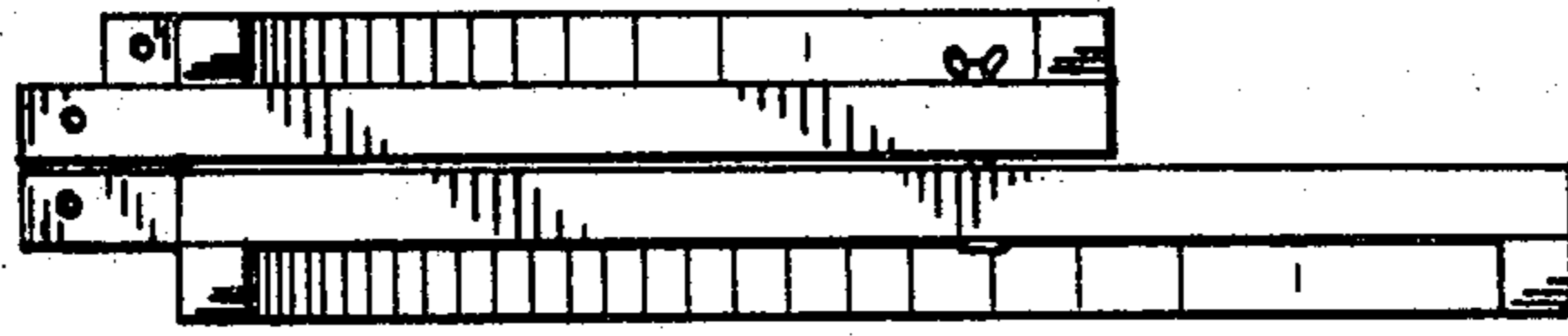


FIG. 3



FIG. 2

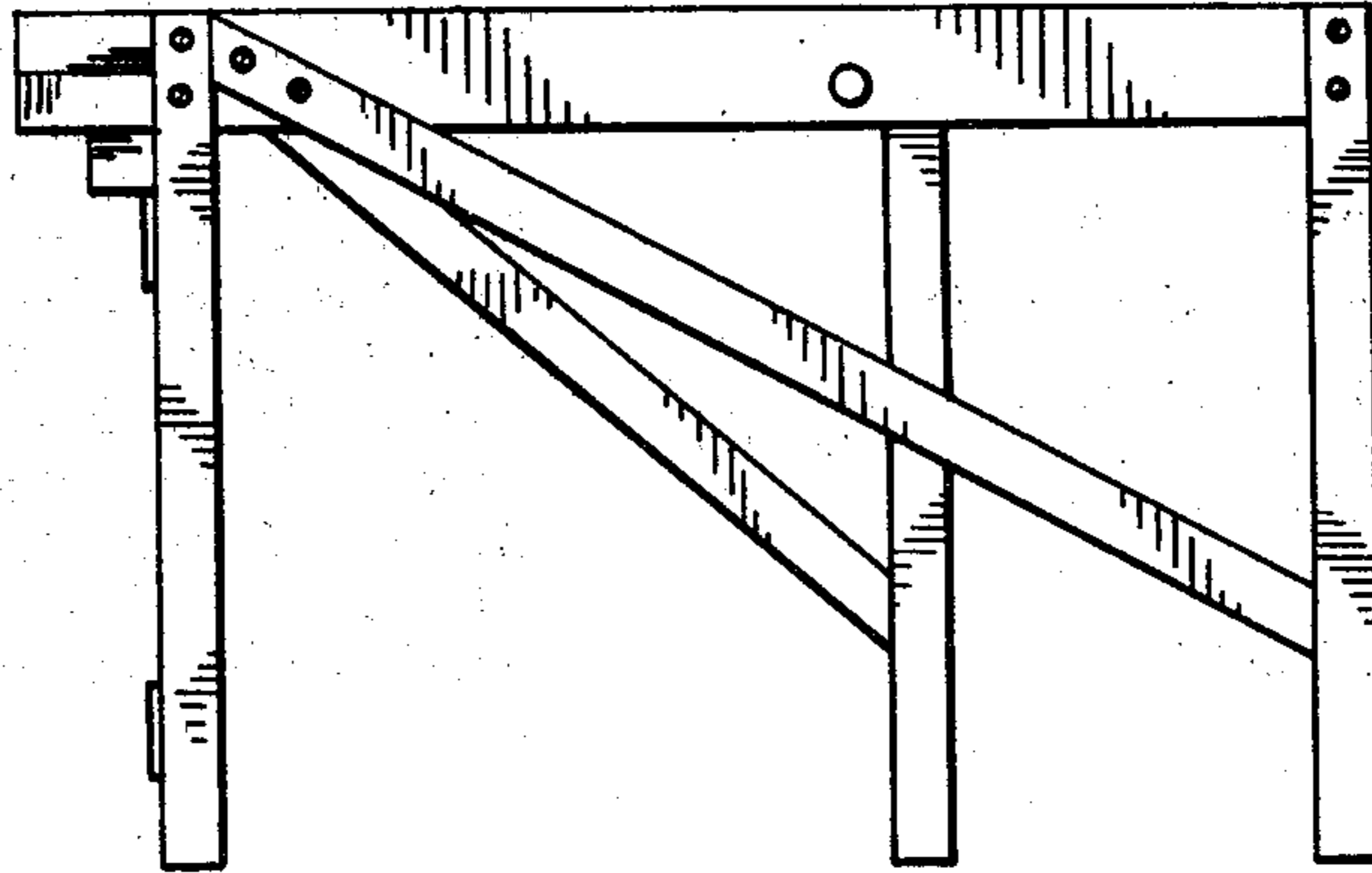


FIG. 4

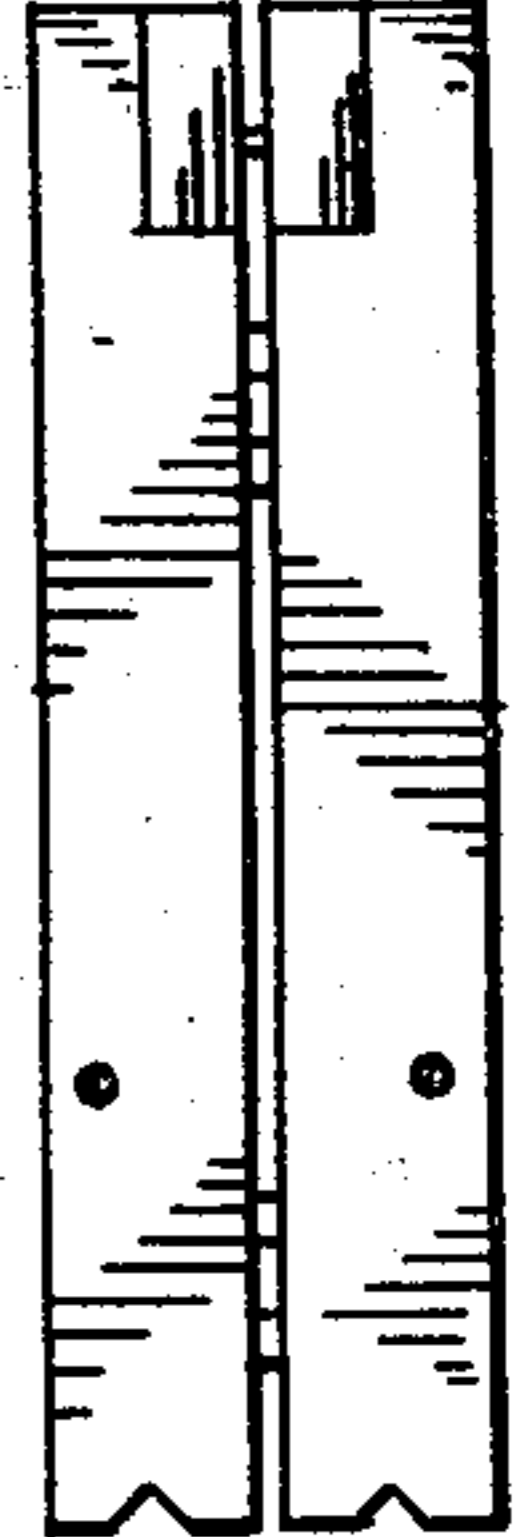


FIG. 6

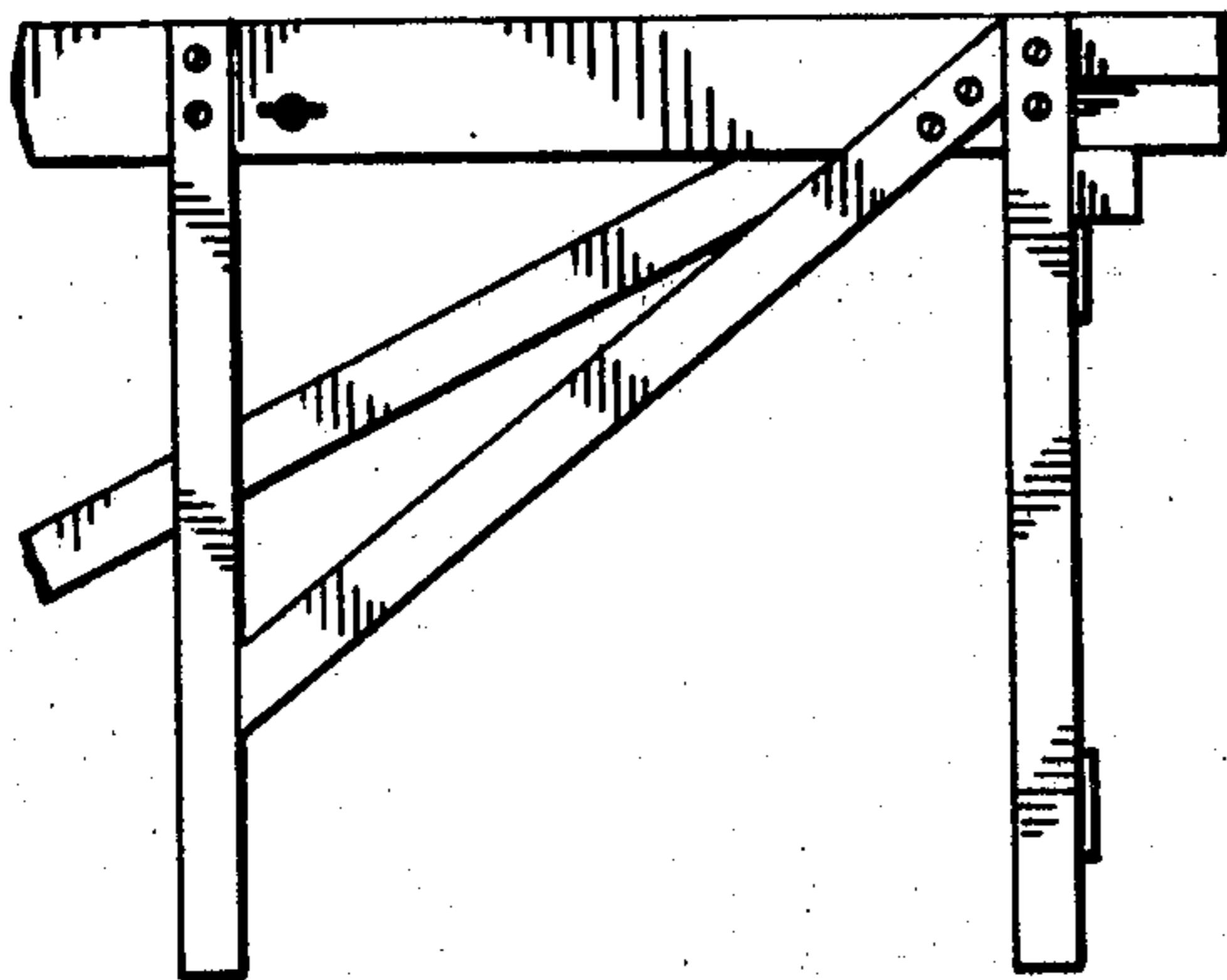


FIG. 5

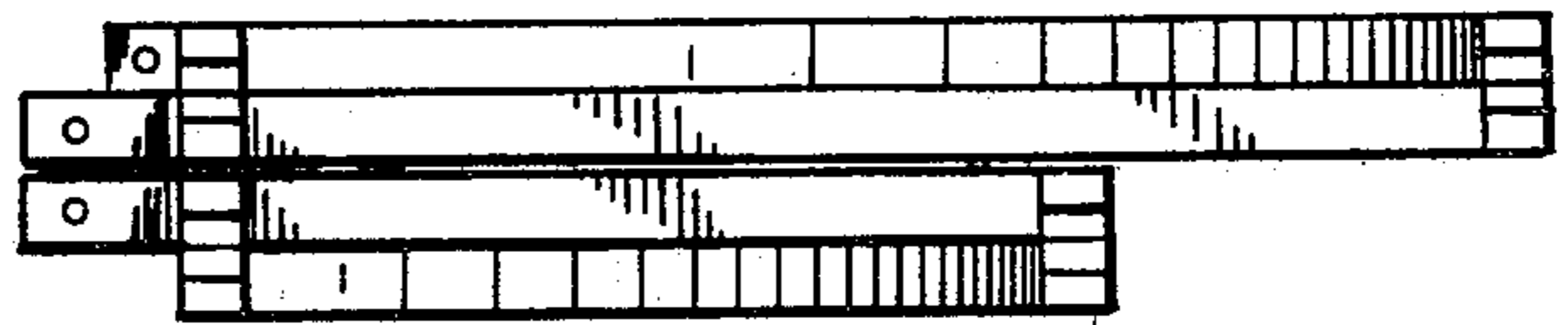


FIG. 7

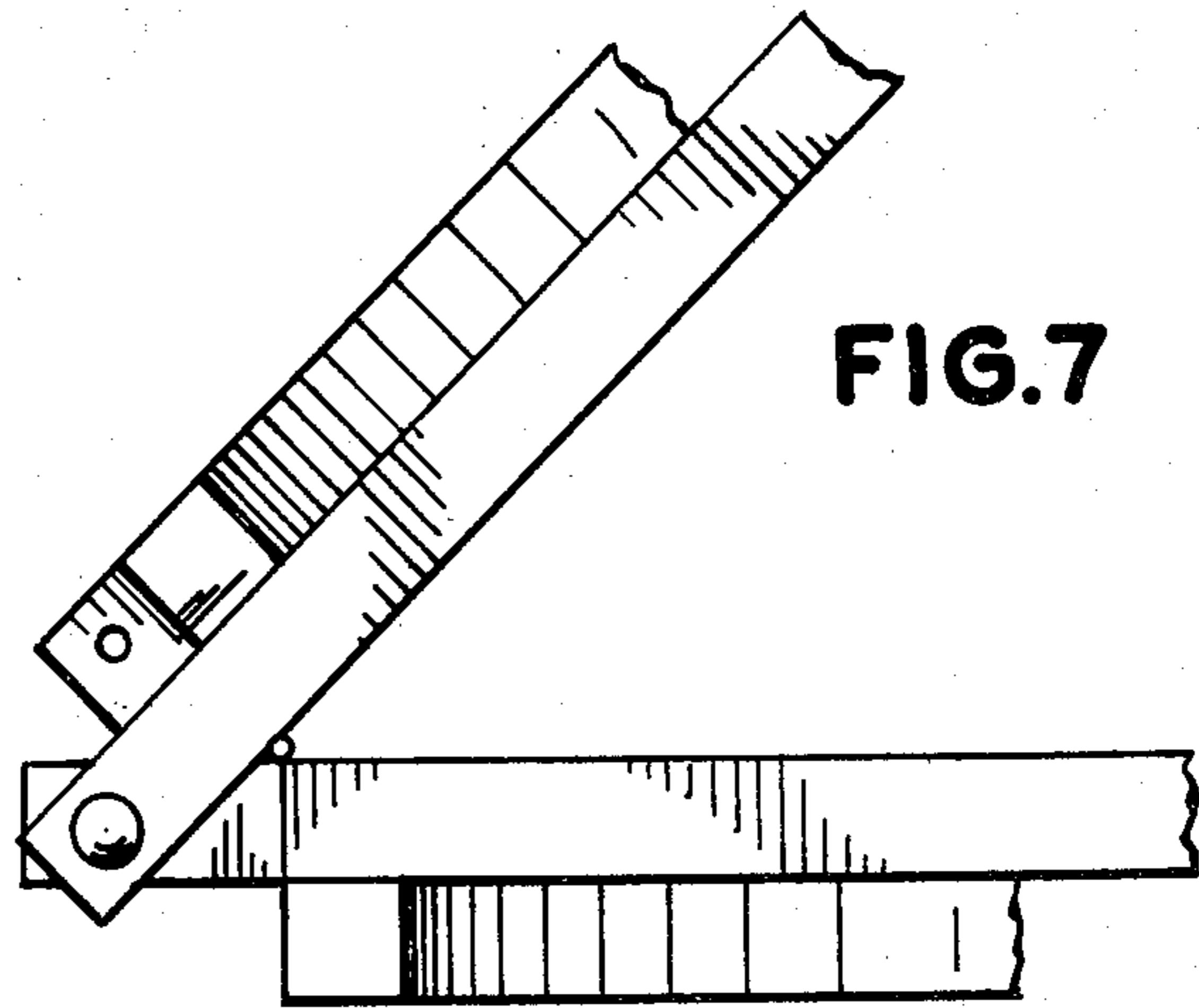


FIG. 8

