

[54] STEPLADDER TOP EXTENSION

[75] Inventor: Merrel F. Brownlee, Jr., Struthers, Ohio

[73] Assignee: Brownlee Stepladder Extensions, Inc., Struthers, Ohio

[**] Term: 14 Years

[21] Appl. No.: 393,137

[22] Filed: Jun. 28, 1982

[52] U.S. Cl. D25/68

[58] Field of Search 248/238; 182/129, 214, 182/120; D25/62, 68, 69

[56] References Cited

U.S. PATENT DOCUMENTS

2,930,442 3/1960 Carter 182/120

3,182,749 5/1965 Girardello 182/120
4,383,669 5/1983 Rasler 248/238 X

FOREIGN PATENT DOCUMENTS

2046825 11/1980 United Kingdom 248/238

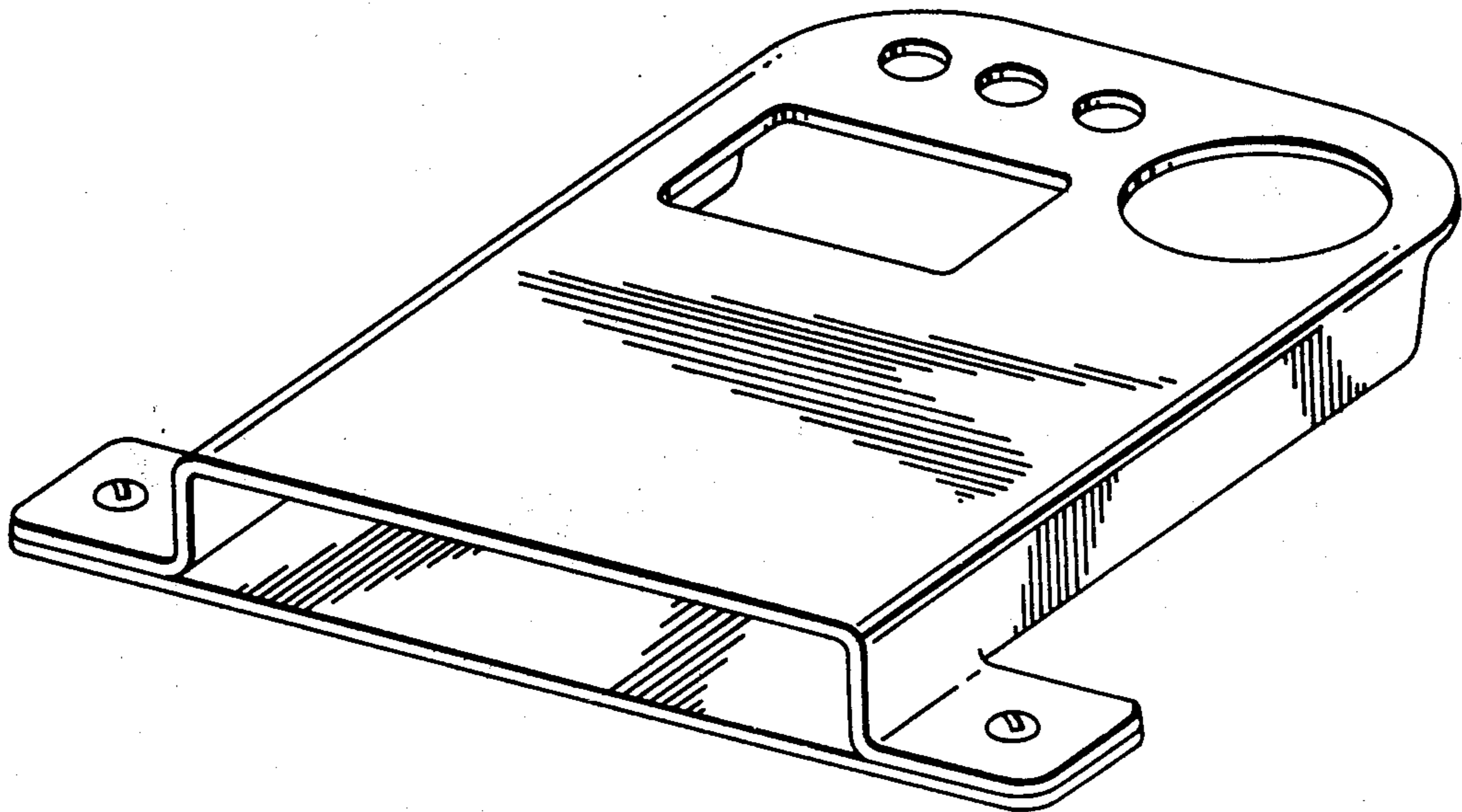
Primary Examiner—A. Hugo Word
Attorney, Agent, or Firm—Harpman & Harpman

[57] CLAIM

The ornamental design for a step ladder top extension, as shown and described.

DESCRIPTION

FIG. 1 is a perspective elevation of a stepladder top extension;
FIG. 2 is a front elevation thereof;
FIG. 3 is an end elevation thereof; and
FIG. 4 is a top plan view of the stepladder top extension.



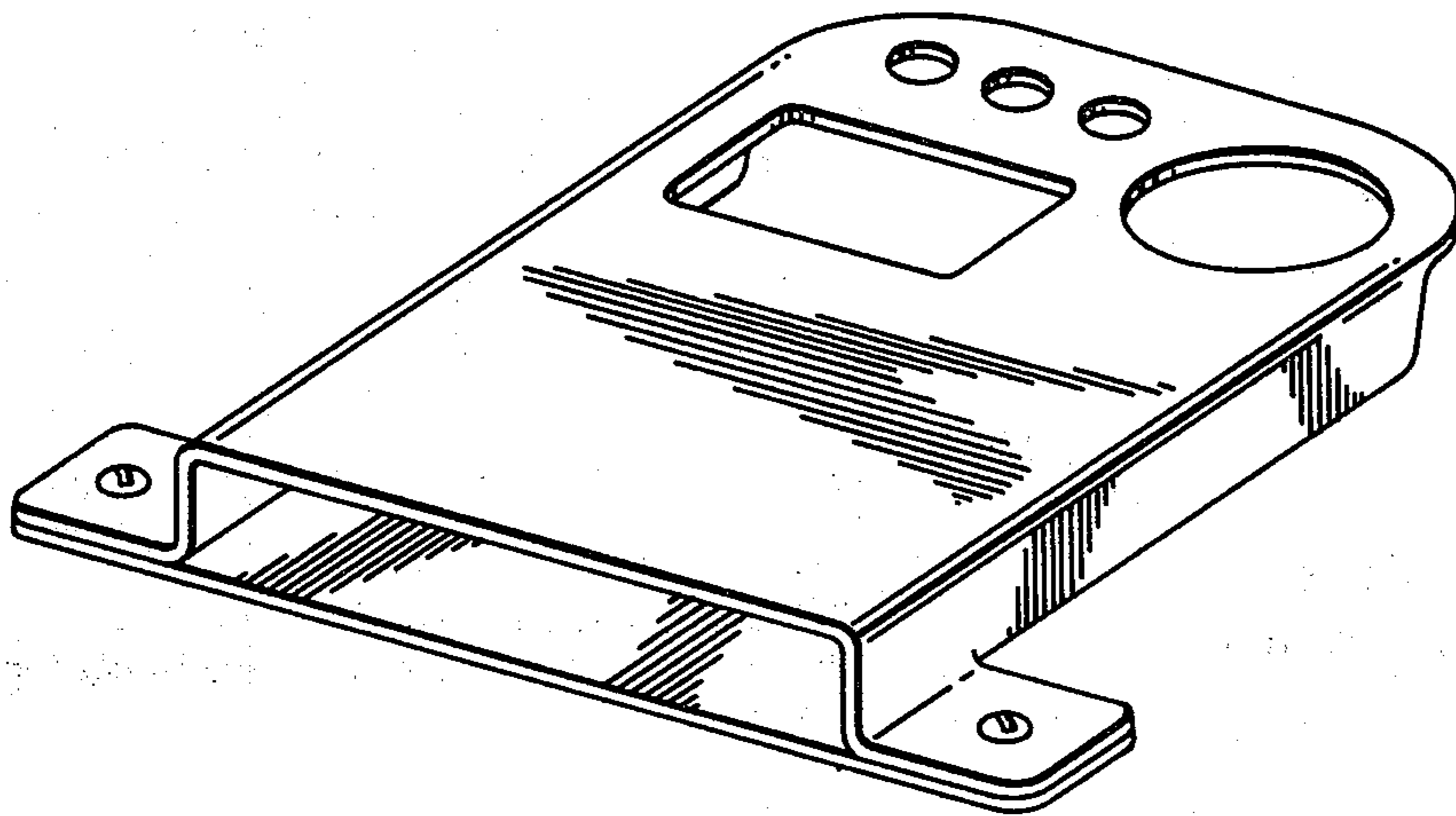


FIG. 1

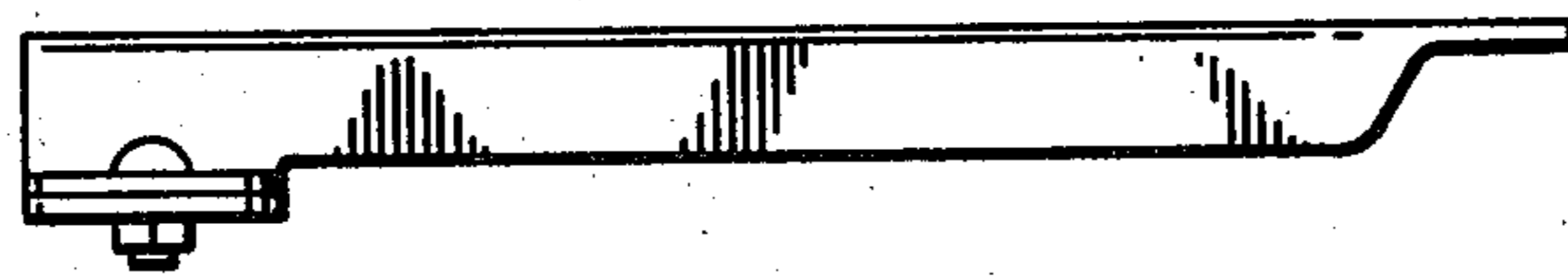


FIG. 2

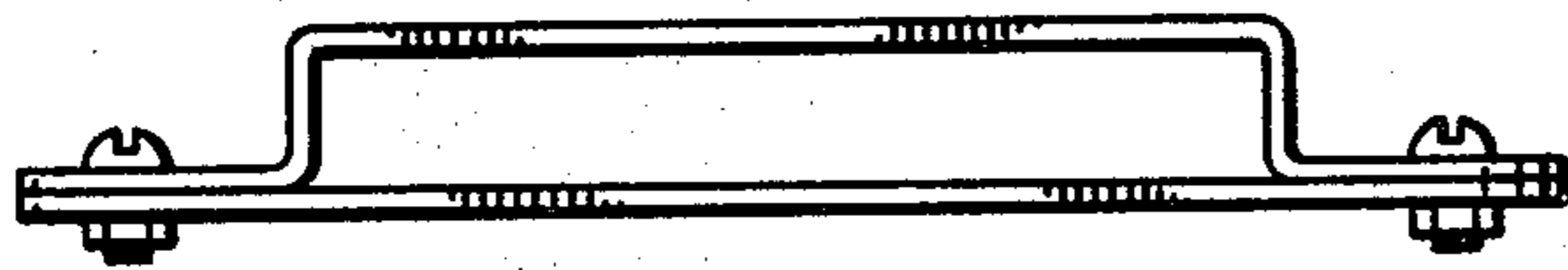


FIG. 3

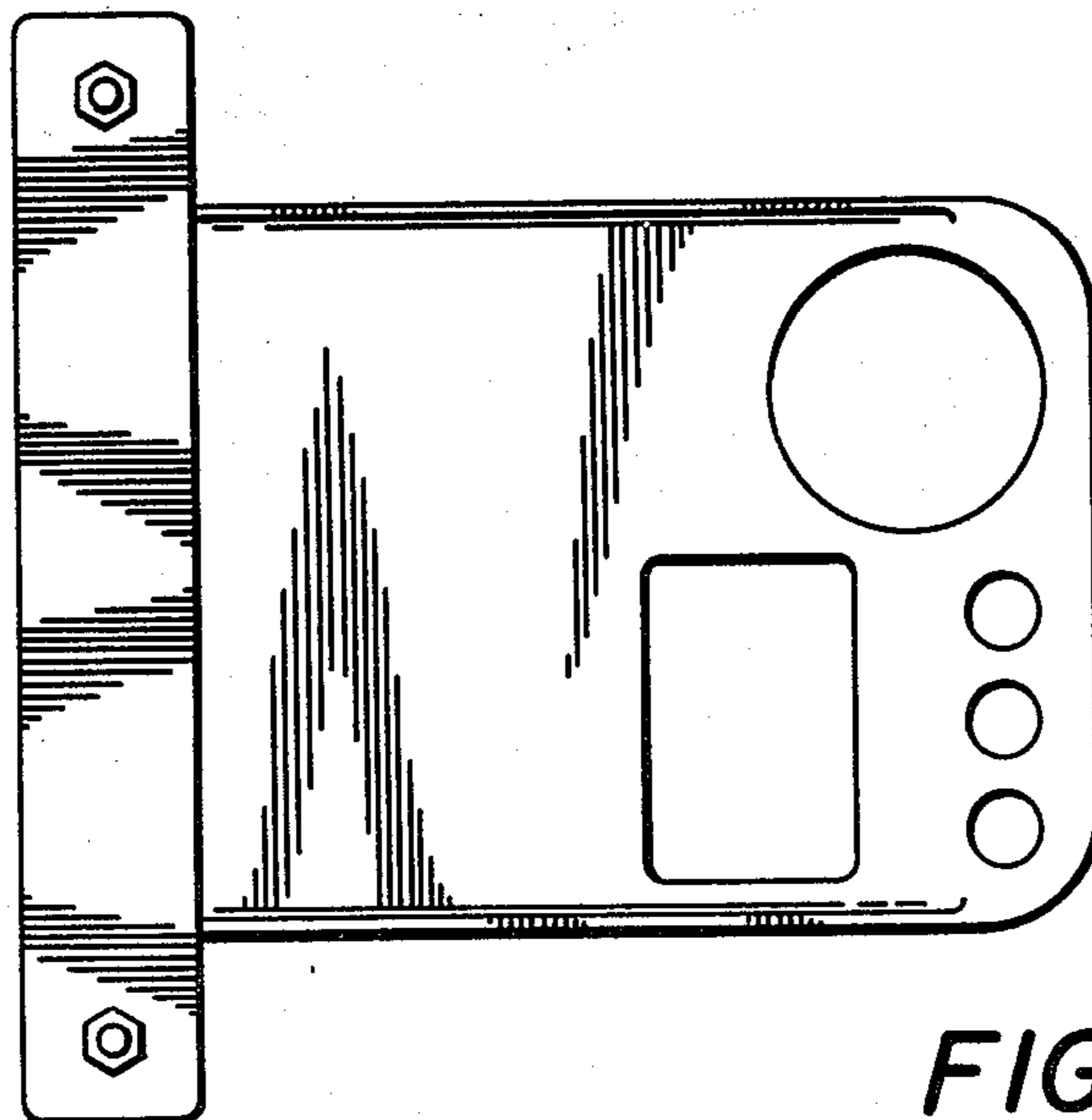


FIG. 4