

[54] STEPLADDER SHELF EXTENSION

[75] Inventor: Merrel F. Brownlee, Jr., Struthers, Ohio

[73] Assignee: Brownlee Stepladder Extensions, Inc., Struthers, Ohio

[**] Term: 14 Years

[21] Appl. No.: 393,136

[22] Filed: Jun. 28, 1982

[52] U.S. Cl. D25/68

[58] Field of Search 248/238; 182/129, 214, 182/120; D25/62, 68, 69

[56] References Cited

U.S. PATENT DOCUMENTS

- D. 263,132 2/1982 Mitchell D25/62 X
- 4,159,045 6/1979 Brooks 182/214 X
- 4,300,740 11/1981 Killian 182/129 X

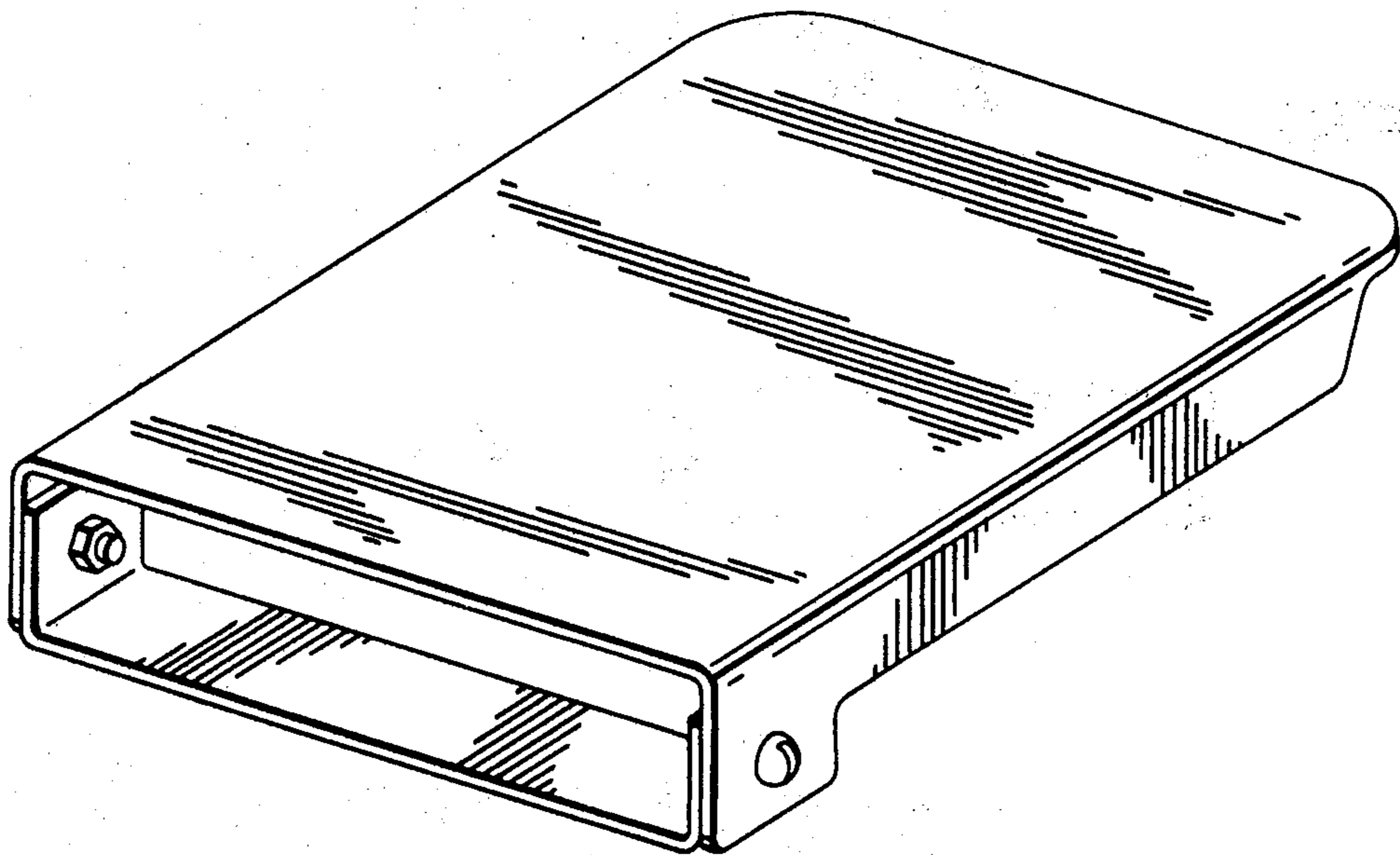
Primary Examiner—A. Hugo Word
Attorney, Agent, or Firm—Harpman & Harpman

[57] CLAIM

The ornamental design for a stepladder shelf extension, as shown and described.

DESCRIPTION

FIG. 1 is a perspective elevation of stepladder shelf extension;
FIG. 2 is a front elevation thereof;
FIG. 3 is an end elevation thereof; and
FIG. 4 is a top plan view of the stepladder shelf extension.



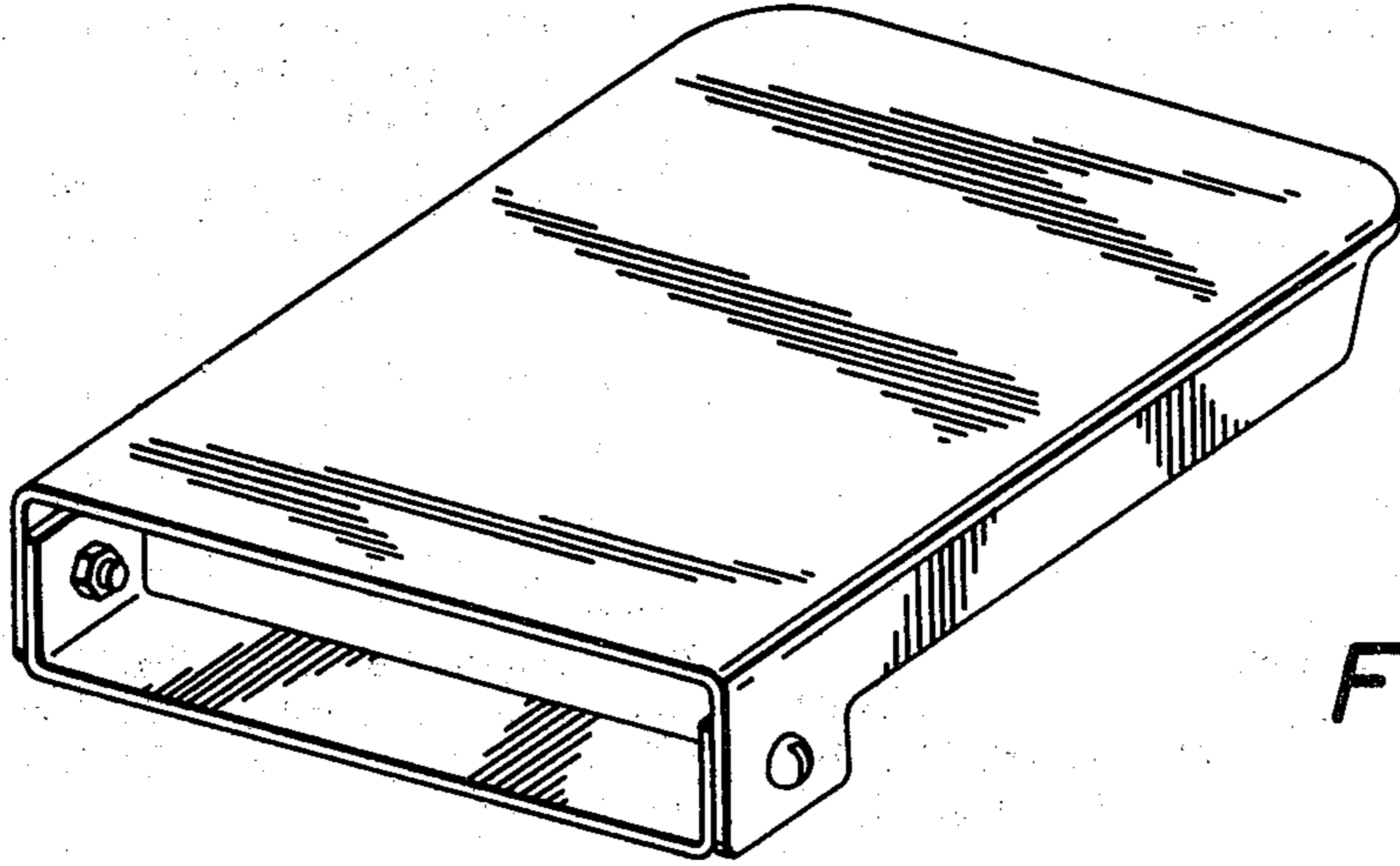


FIG. 1

FIG. 2

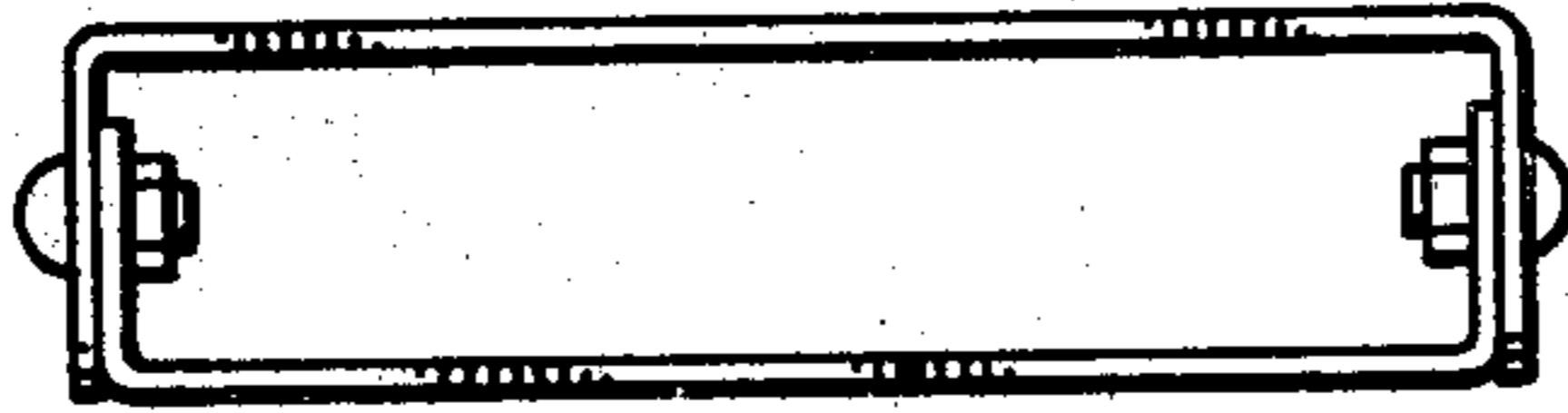
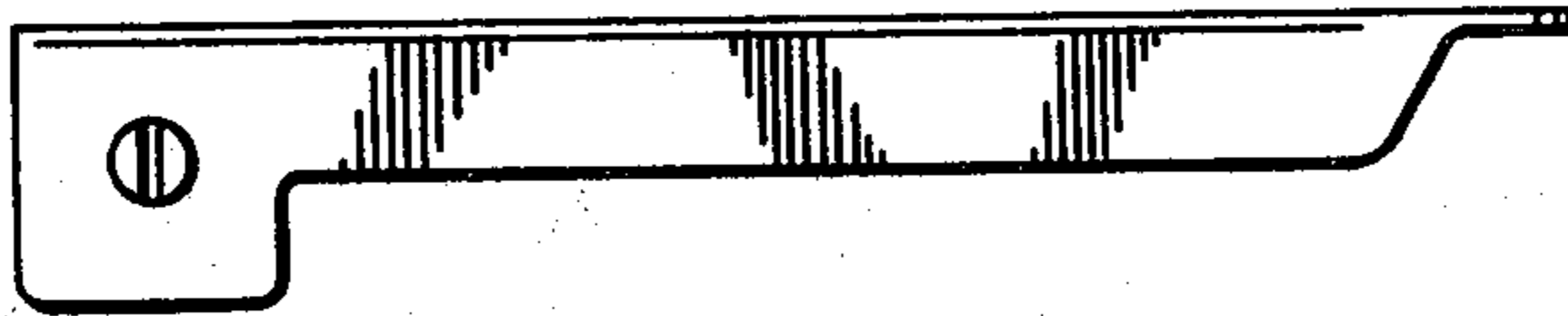


FIG. 3

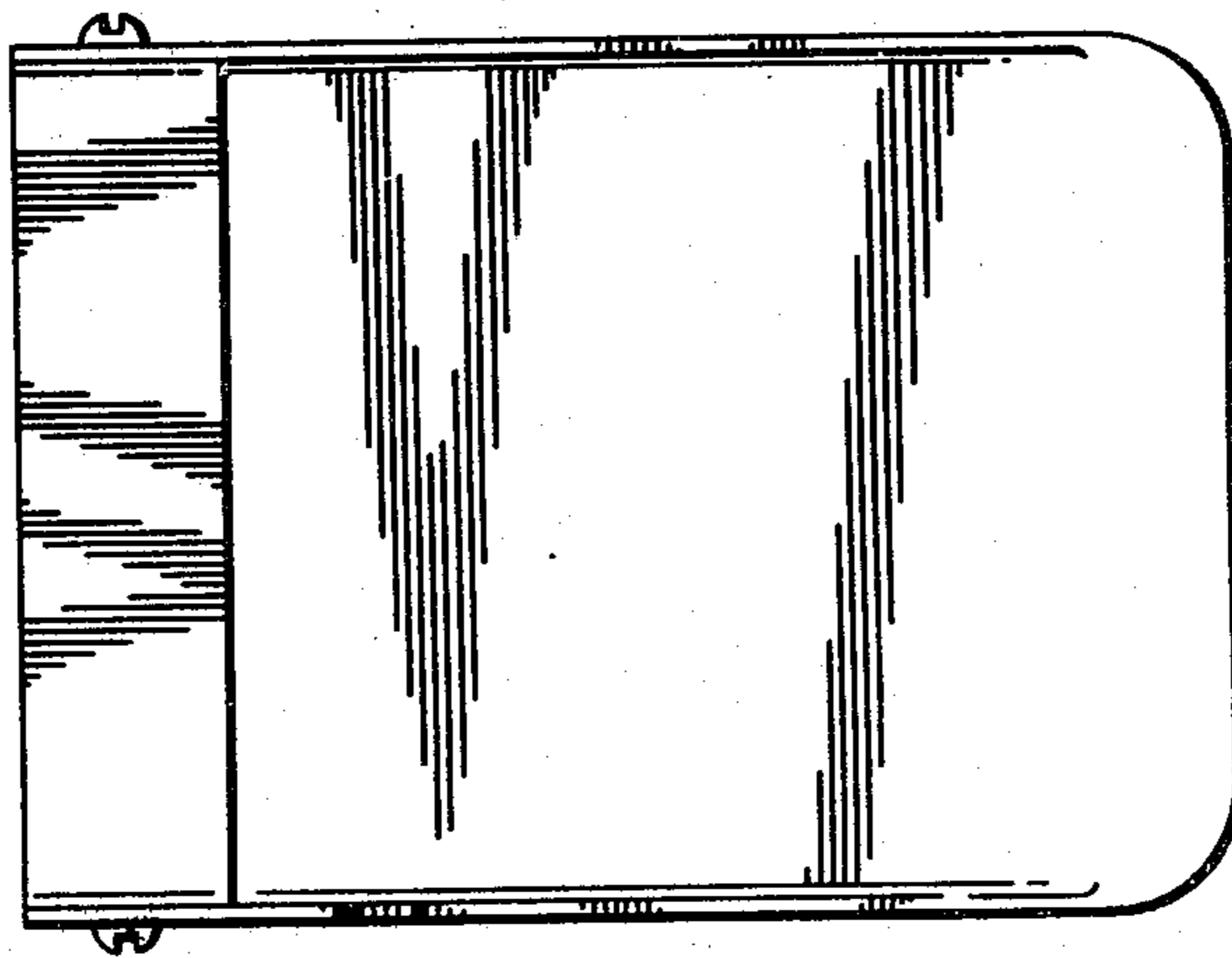


FIG. 4