

[54] TEST-INDICATOR TRAY FOR STORING A VAGINAL MUSCLE STIMULATION DEVICE

[75] Inventors: Danijel Knez, Celje; Peter Suhel, Ljubljana, both of Yugoslavia

[73] Assignee: Gorenje Tgo, N.sol.O, Velenje, Velenje, Yugoslavia

[**] Term: 14 Years

[21] Appl. No.: 246,189

[22] Filed: Mar. 23, 1981

[30] Foreign Application Priority Data

Sep. 29, 1980 [YU] Yugoslavia M-362/80

[52] U.S. Cl. D24/31; D24/36; D9/424

[58] Field of Search 206/562, 563; 128/67, 128/341, 778; D24/36, 99; D9/424, 347

[56] References Cited

U.S. PATENT DOCUMENTS

2,478,786 8/1949 Smallen 128/67
2,839,050 6/1958 Sokol 128/778

3,802,555 4/1974 Grasty et al. 206/463 X
3,996,930 12/1976 Sekulich 128/67
4,106,489 8/1978 Martin 128/341 X
4,167,938 9/1979 Remih 128/778

Primary Examiner—Bernard Ansher
Attorney, Agent, or Firm—Fleit, Jacobon, Cohn & Price

[57] CLAIM

The ornamental design for a test-indicator tray for storing a vaginal muscle stimulation device, as shown and described.

DESCRIPTION

FIG. 1 is a top plan view of a test indicator tray for storing a vaginal muscle stimulation device showing our new design;

FIG. 2 is a bottom plan view thereof;

FIG. 3 is a front elevation thereof;

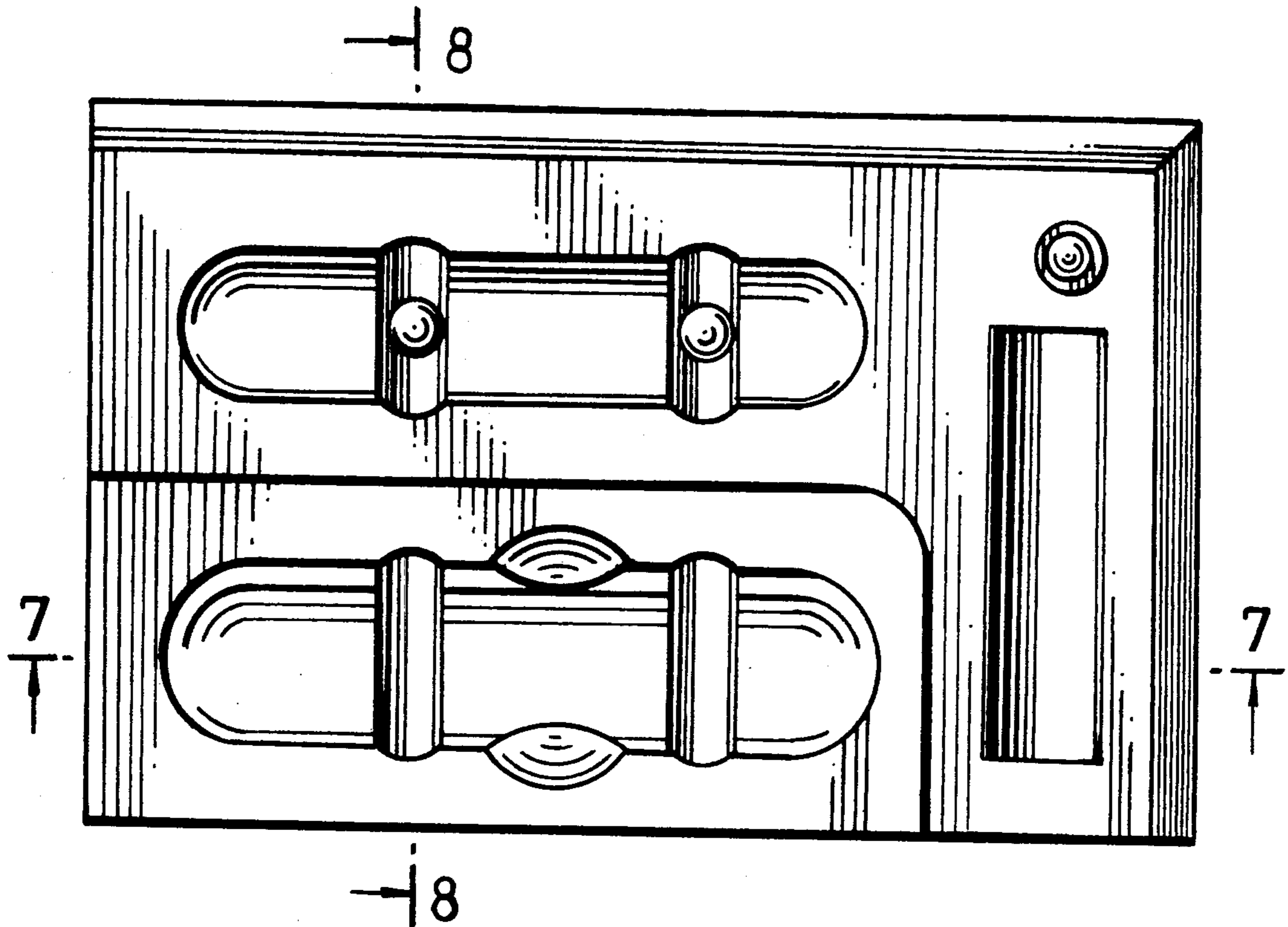
FIG. 4 is a rear elevation thereof;

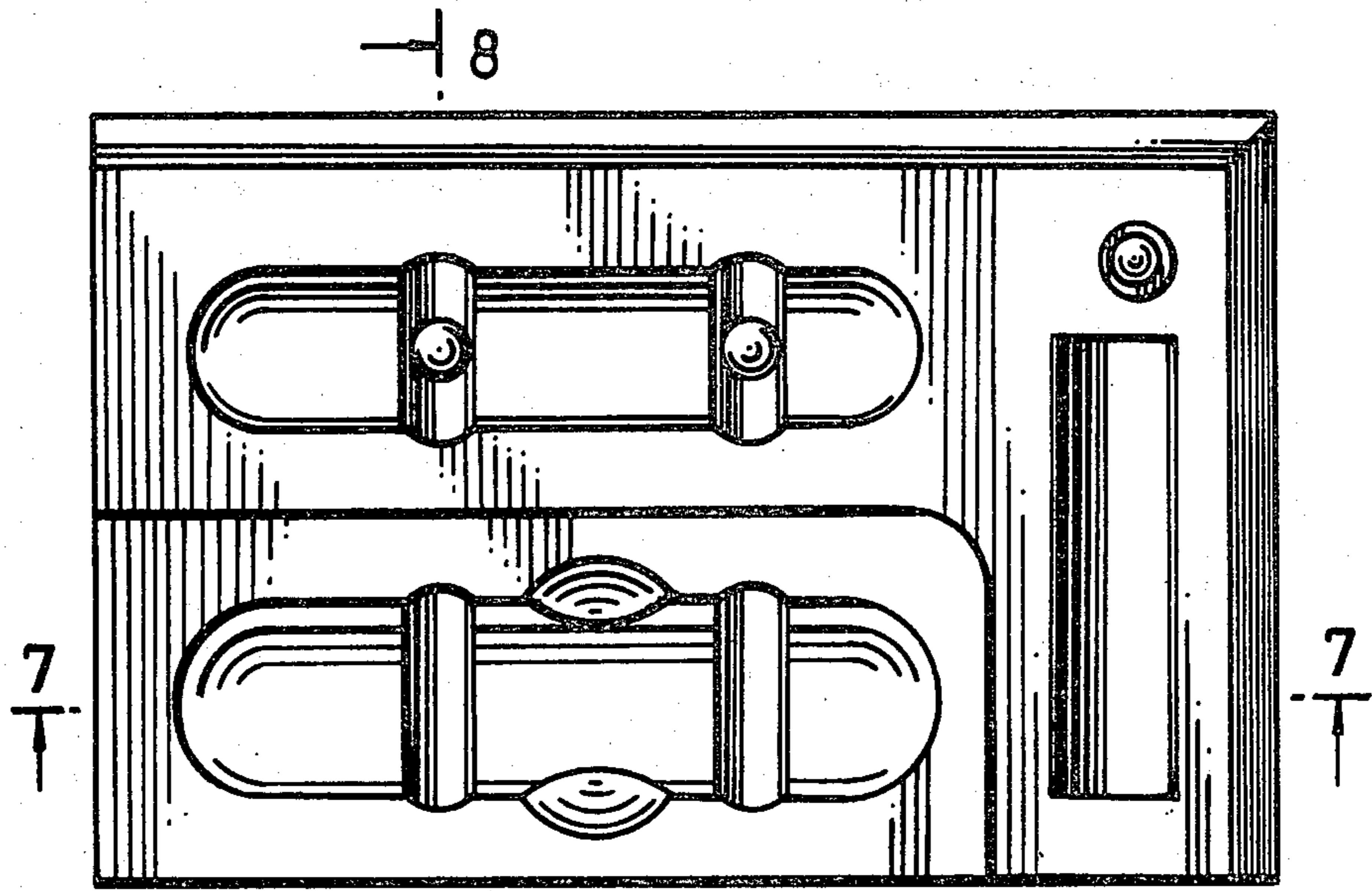
FIG. 5 is a right side elevation thereof;

FIG. 6 is a left side elevation thereof;

FIG. 7 is a cross-section taken on line 7—7 of FIG. 1; and

FIG. 8 is a cross-section taken on line 8—8 of FIG. 1.





8 FIG. 1

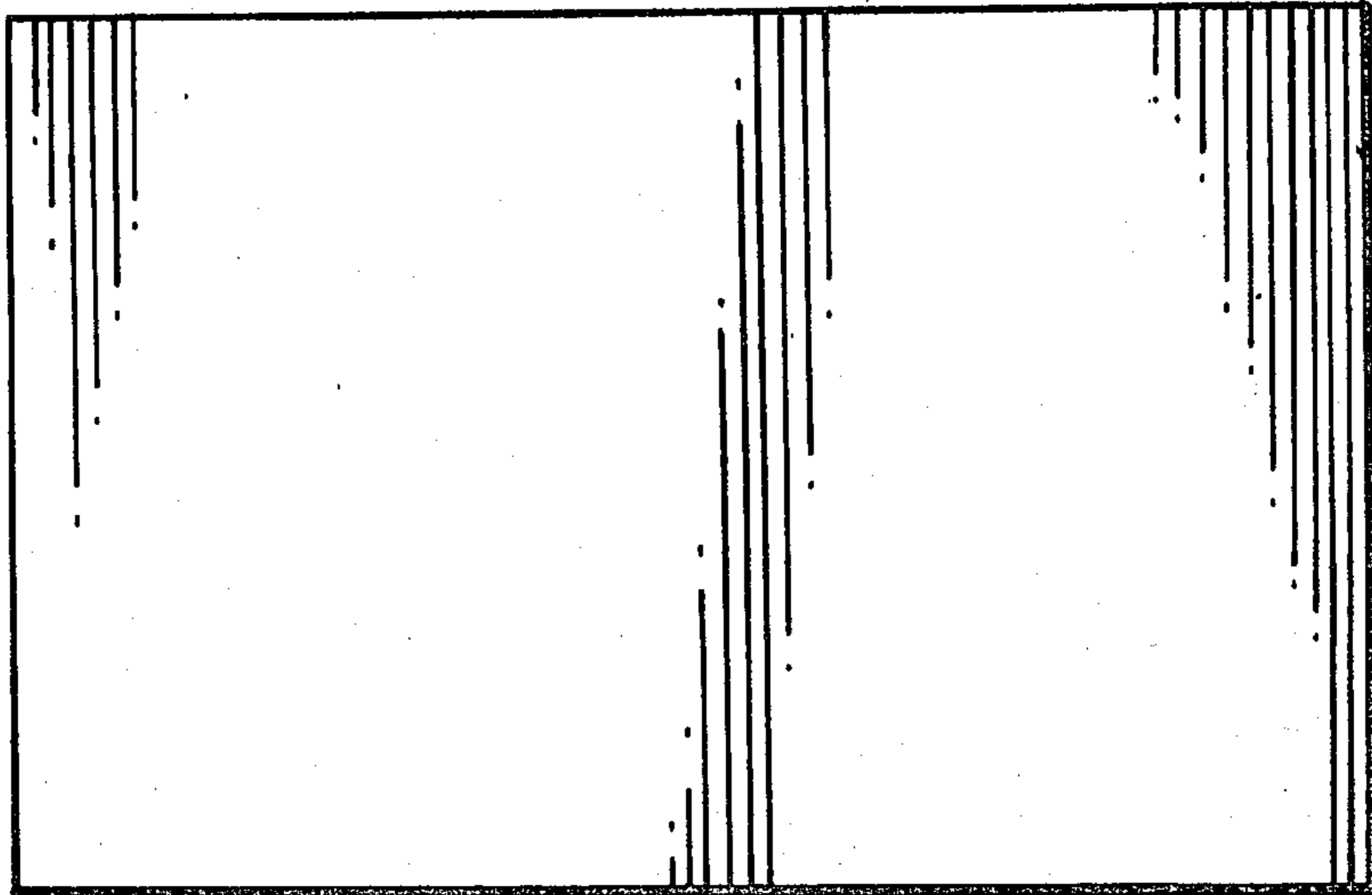


FIG. 2

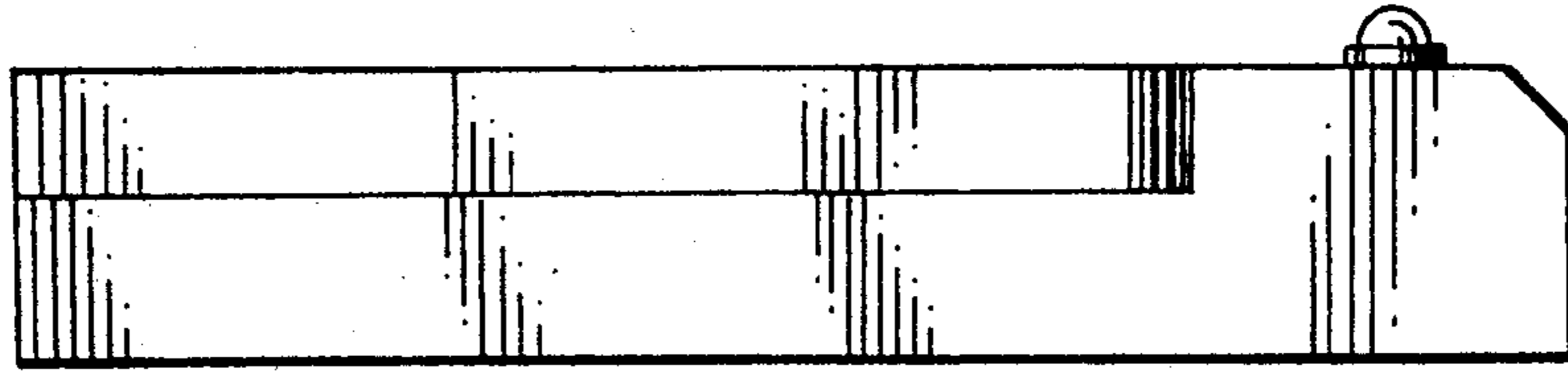


FIG. 3

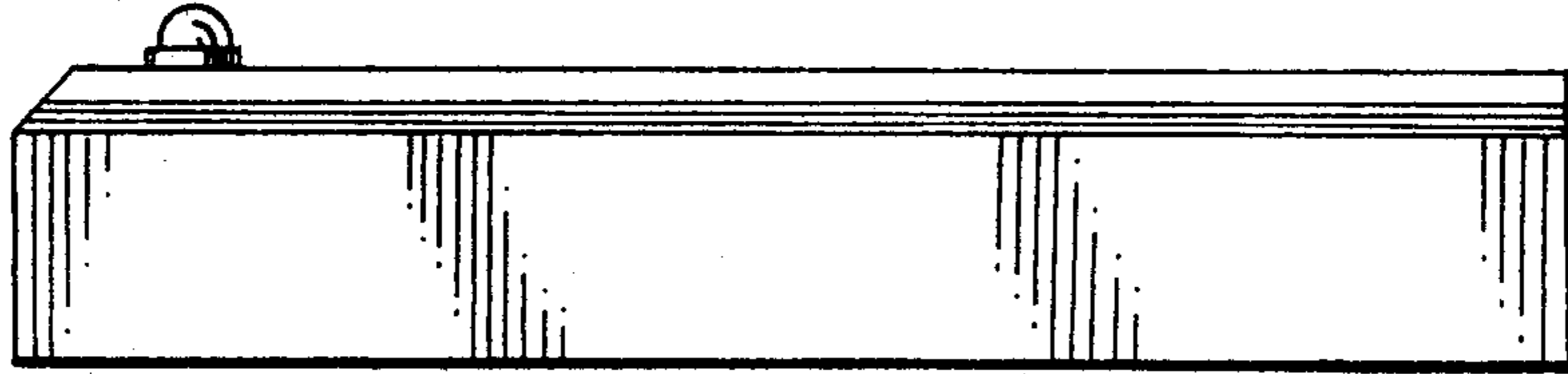


FIG. 4

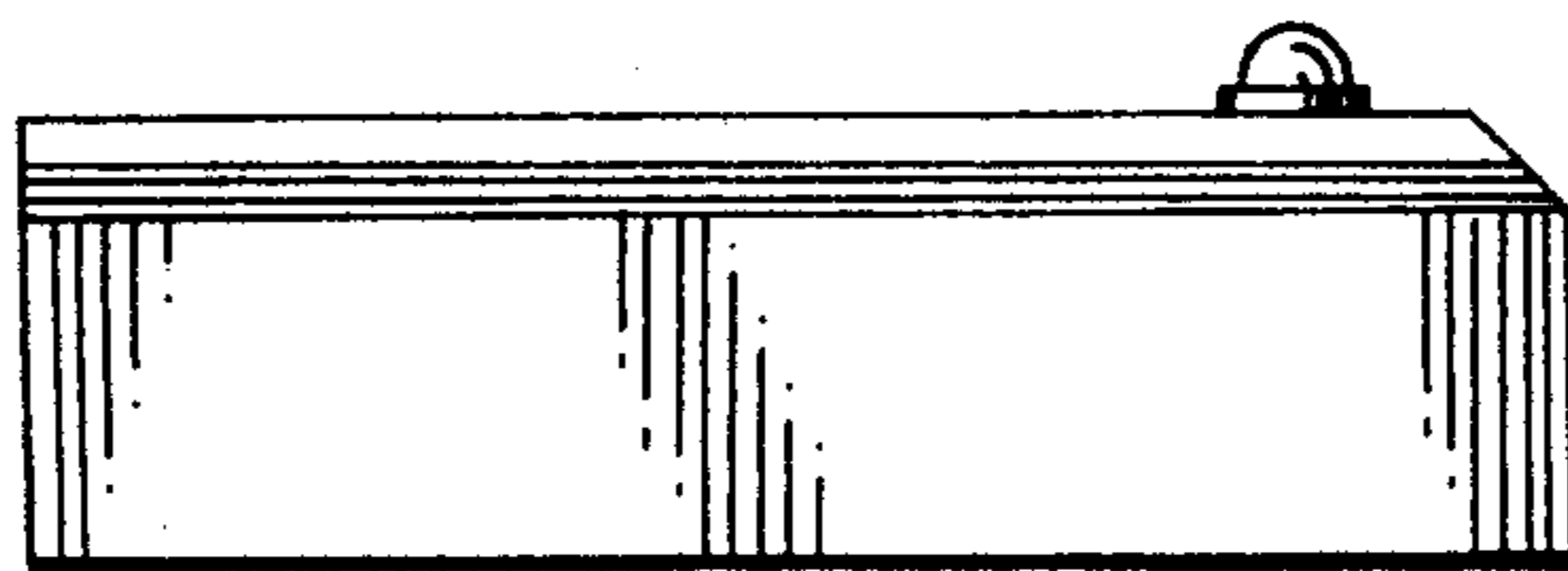


FIG. 5

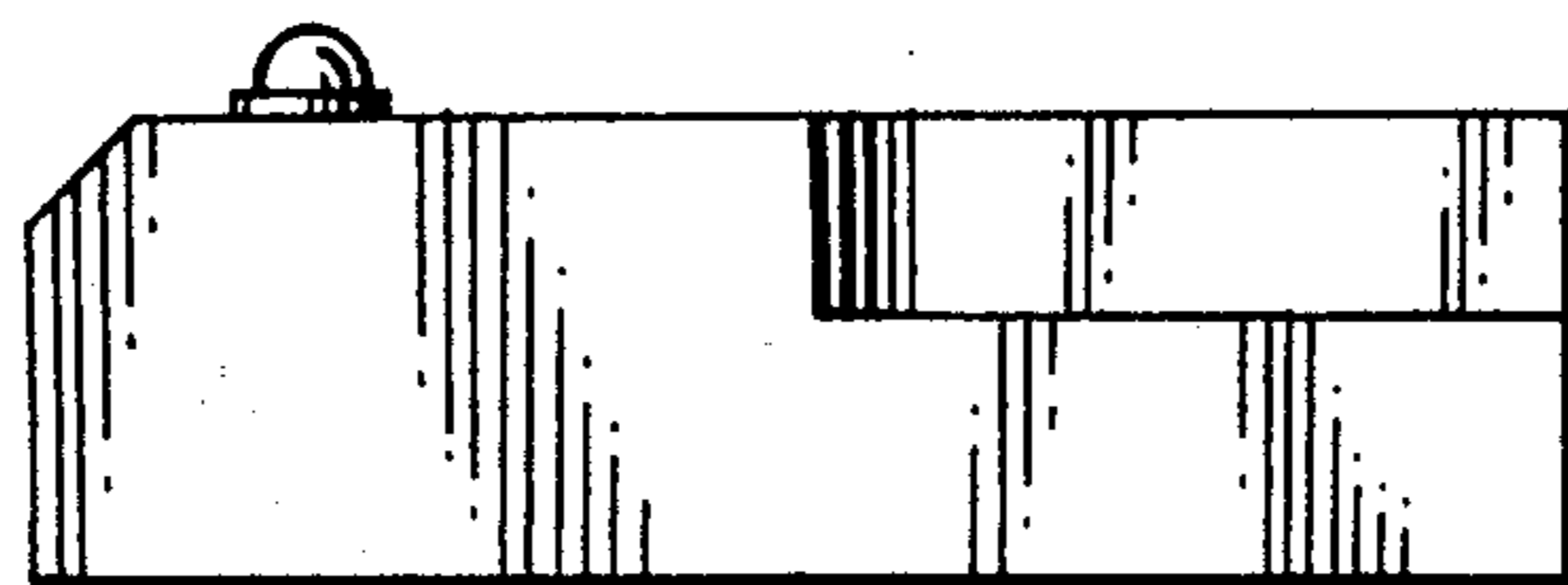


FIG. 6

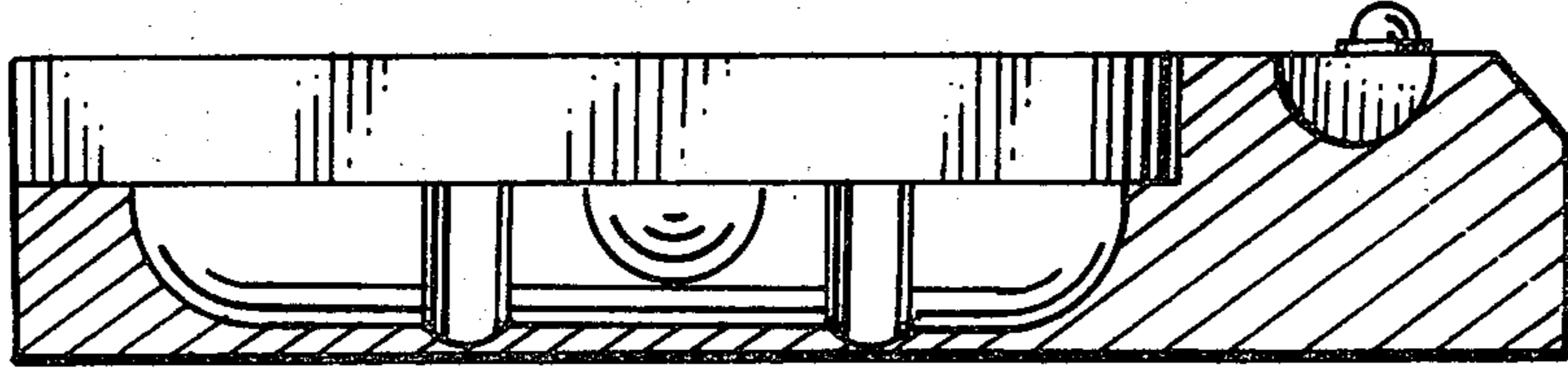


FIG. 7

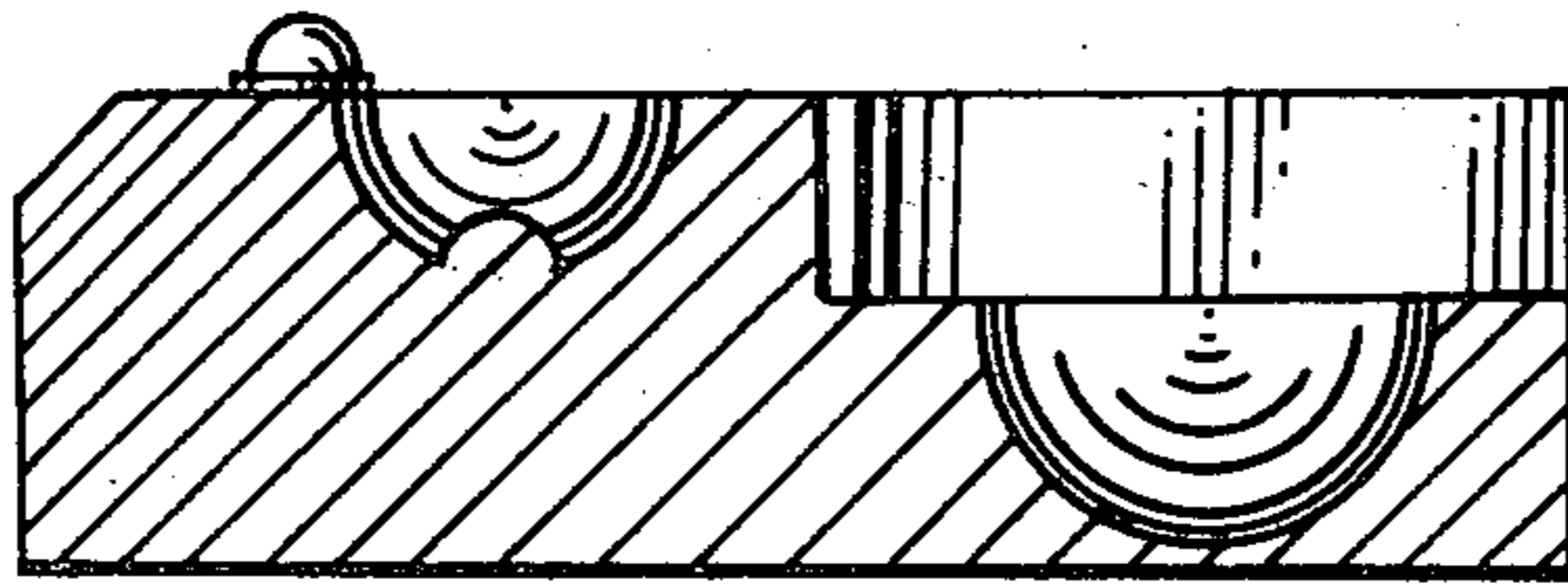


FIG. 8