

[54] **FISHING REEL**

[75] **Inventor:** Seiji Myojo, Sakai, Japan

[73] **Assignee:** Shimano Industrial Company Limited, Osaka, Japan

[**] **Term:** 14 Years

[21] **Appl. No.:** 397,239

[22] **Filed:** Jul. 12, 1982

[30] **Foreign Application Priority Data**

Jan. 11, 1982 [JP] Japan 57-678
[52] **U.S. Cl.** D22/25
[58] **Field of Search** 242/84.1 R, 84.2 R,
242/84.2 A; D22/25, 26

[56]

References Cited

U.S. PATENT DOCUMENTS

D. 216,193 12/1969 Bittaker et al. D22/25
D. 236,467 8/1975 Childre D22/25
D. 258,904 4/1981 Myojo D22/25
D. 265,497 7/1982 Sakamoto et al. D22/25

Primary Examiner—A. Hugo Word
Attorney, Agent, or Firm—Stevens, Davis, Miller & Mosher

[57]

CLAIM

The ornamental design for a fishing reel, as shown and described.

DESCRIPTION

FIG. 1 is a left side and front perspective view of a fishing reel showing my new design;
FIG. 2 is a right side and front perspective view thereof;
FIG. 3 is a plan view thereof; and
FIG. 4 is a right side elevational view thereof.

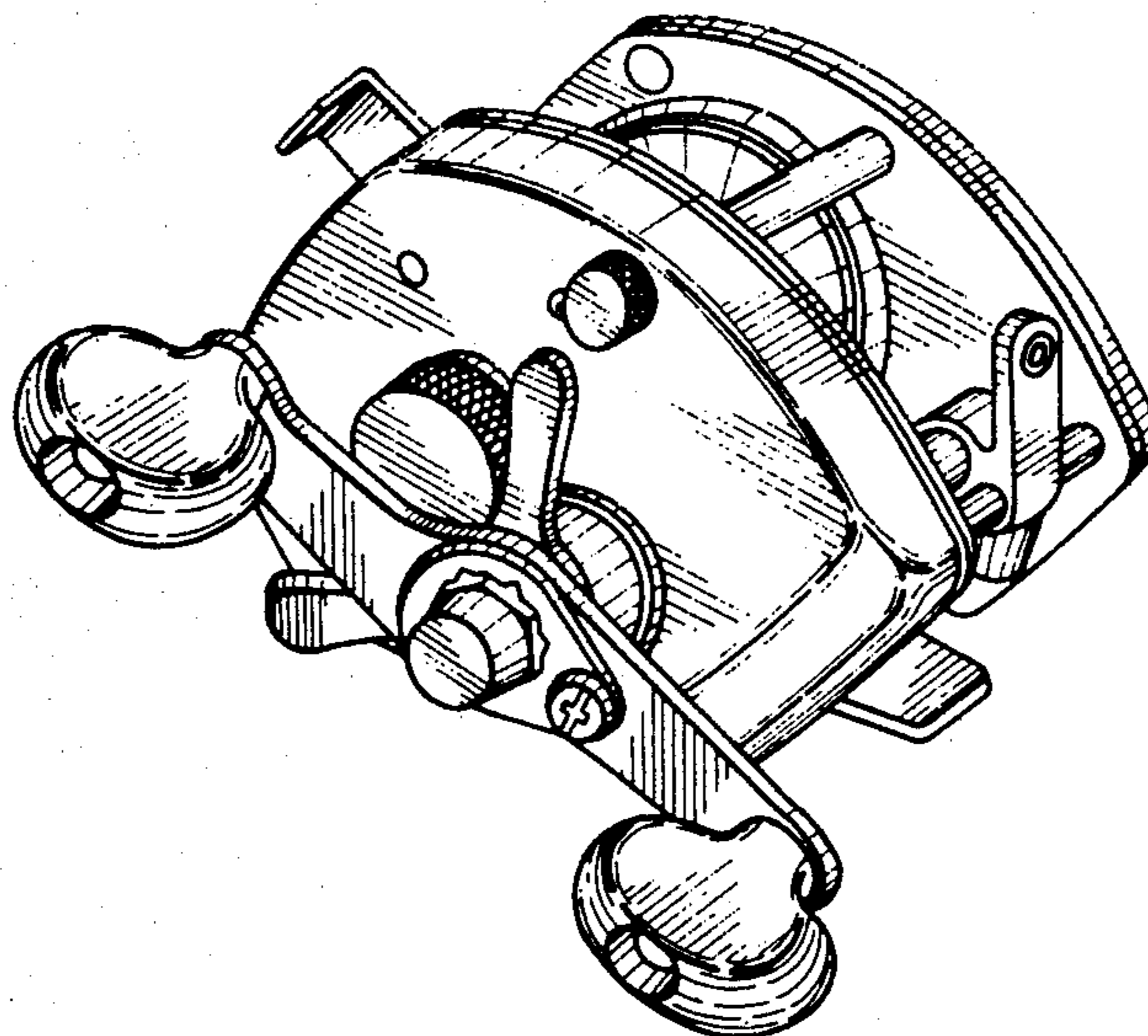


FIG. 1

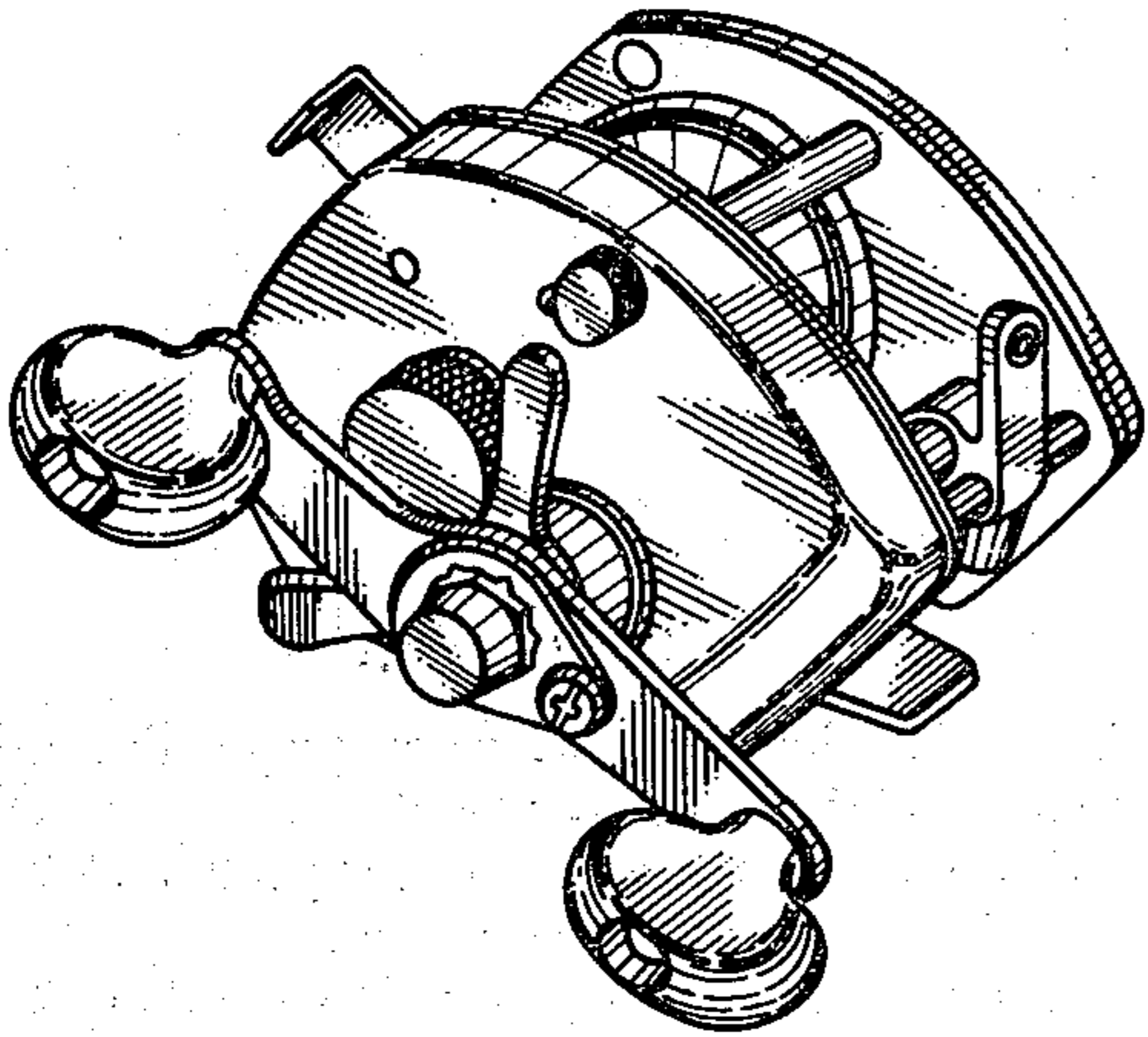


FIG. 2

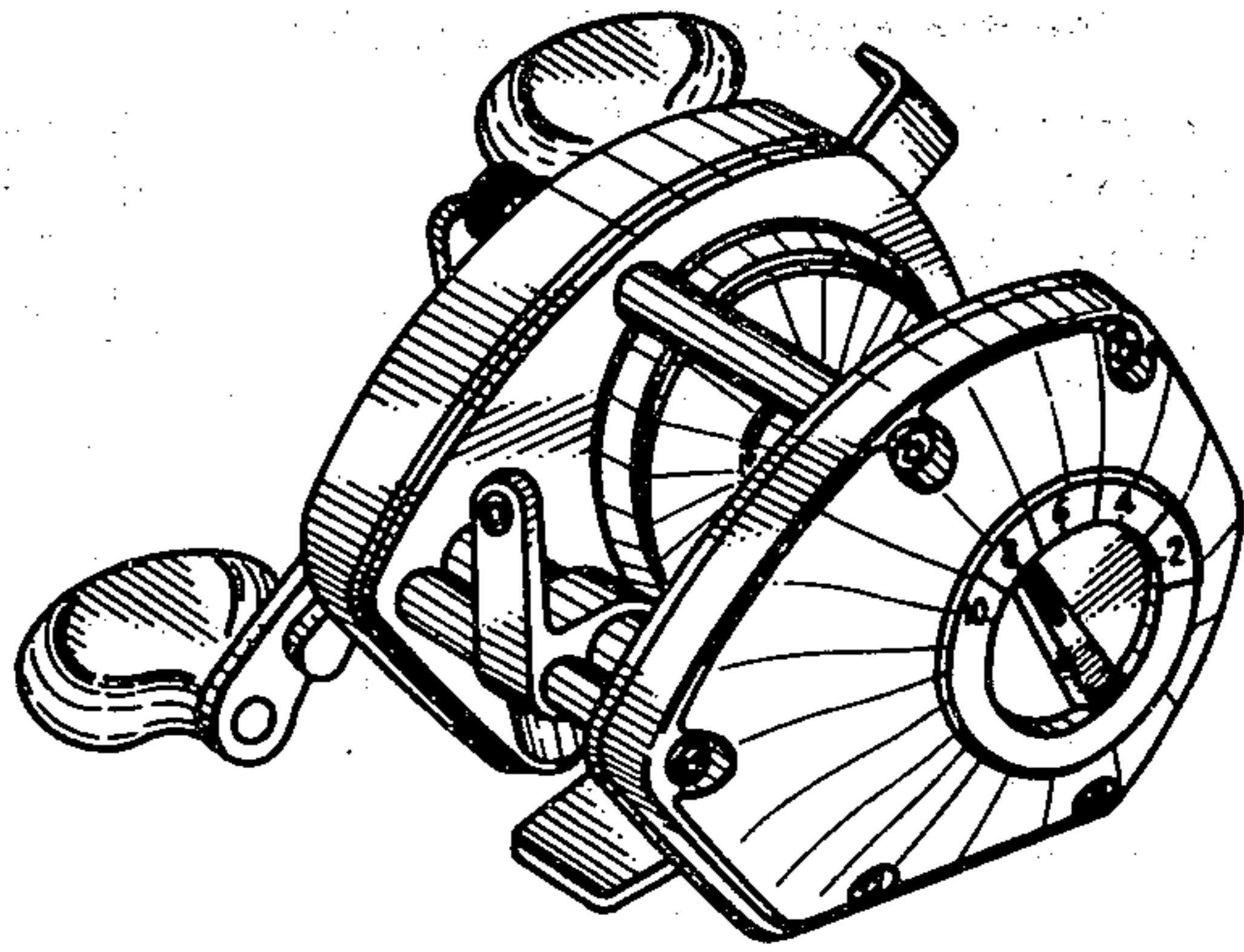


FIG. 3

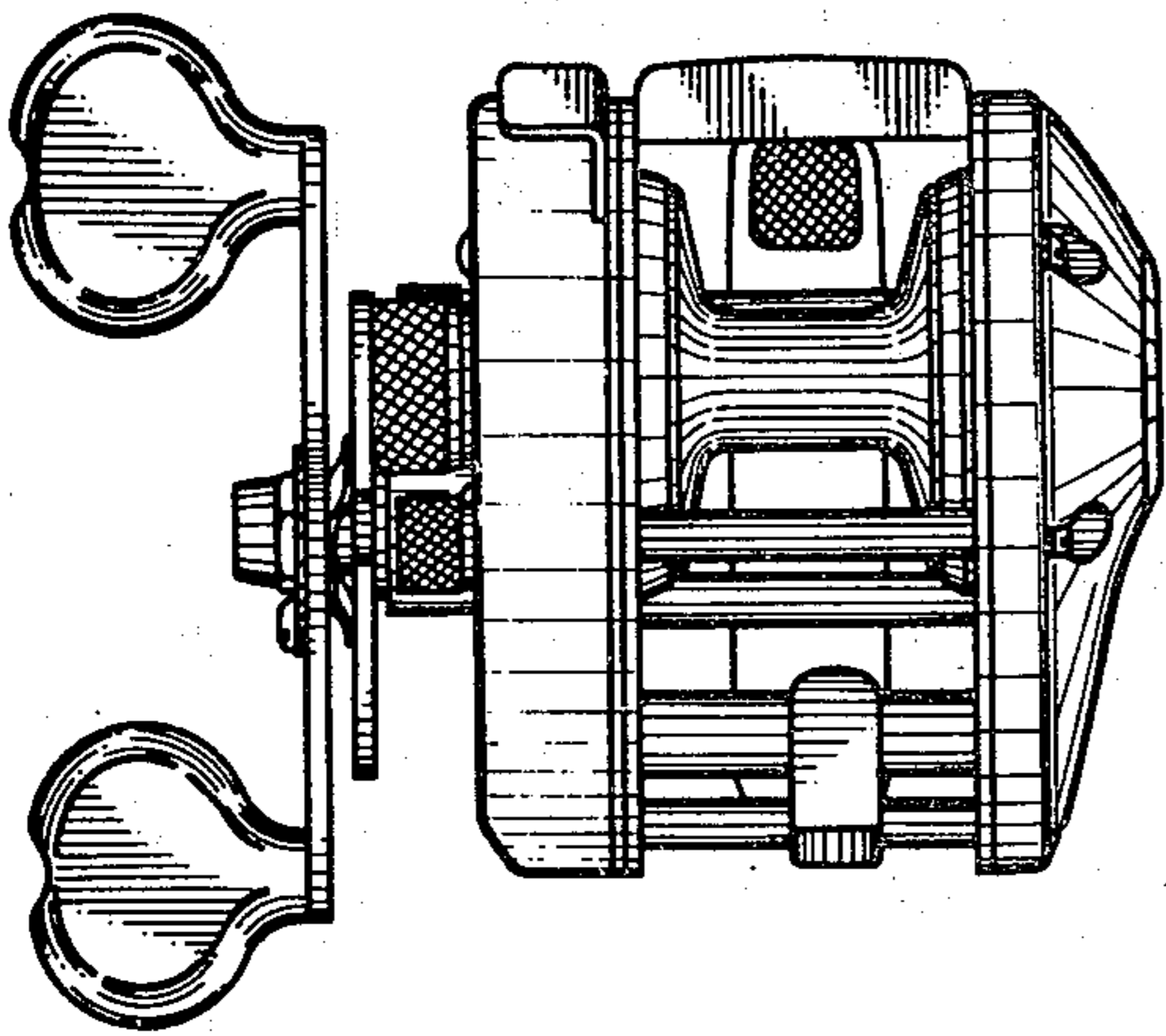


FIG. 4

