

[54] TOY VEHICLE

[75] Inventors: Mark D. Boudreaux, Cincinnati, Ohio; Mark D. Duennes, New Baltimore, Mich.

[73] Assignee: CPG Products Corp., Minneapolis, Minn.

[**] Term: 14 Years

[21] Appl. No.: 331,430

[22] Filed: Dec. 16, 1981

[52] U.S. Cl. D21/128

[58] Field of Search 46/219, 222, 201; D21/76, 78, 79, 128, 132, 134, 135, 136, 137, 140

[56] References Cited

U.S. PATENT DOCUMENTS

D. 258,747	3/1981	Burtoft et al.	D21/128
3,774,586	11/1973	Saito	46/219
4,173,095	11/1979	Pauly et al.	46/201
4,213,269	7/1980	Grogg	46/219

OTHER PUBLICATIONS

Sears Wish Book, 1980, p. 629, item #5, "Interplanetary Star Fortress", Gun Unit.

Sears Wish Book, 1980, p. 642, item #4, "Big Trak" Transporter.

Primary Examiner—Charles A. Rademaker

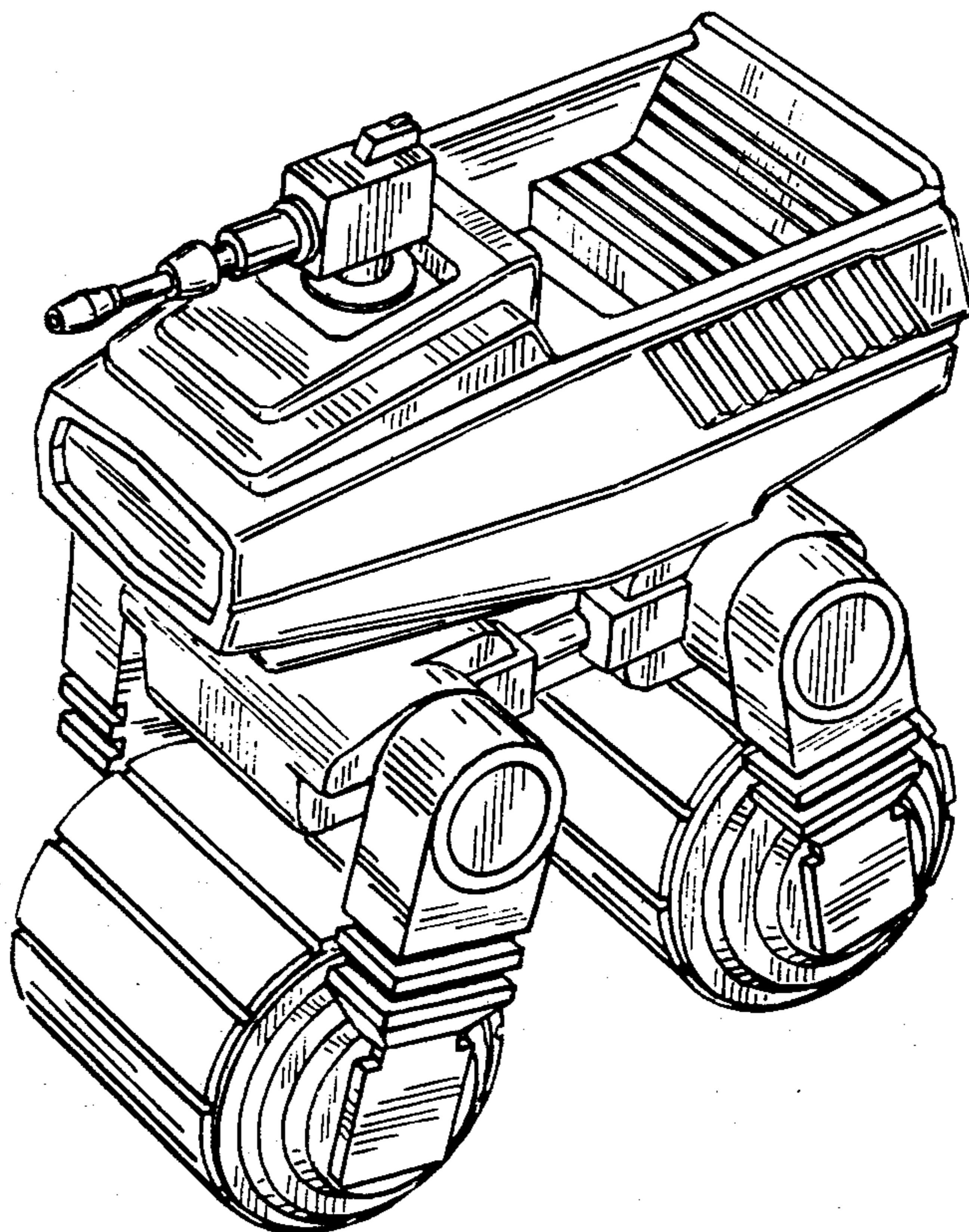
Attorney, Agent, or Firm—L. McRoy Lillehaugen; Gene O. Enockson

[57] CLAIM

The ornamental design for a toy vehicle, substantially as shown and described.

DESCRIPTION

FIG. 1 is a perspective view of a toy vehicle showing our new design;
 FIG. 2 is a front elevational view thereof;
 FIG. 3 is a rear elevational view thereof;
 FIG. 4 is a side elevational view thereof, the side opposite being substantially a mirror image thereof;
 FIG. 5 is a top plan view thereof; and
 FIG. 6 is a bottom plan view thereof.



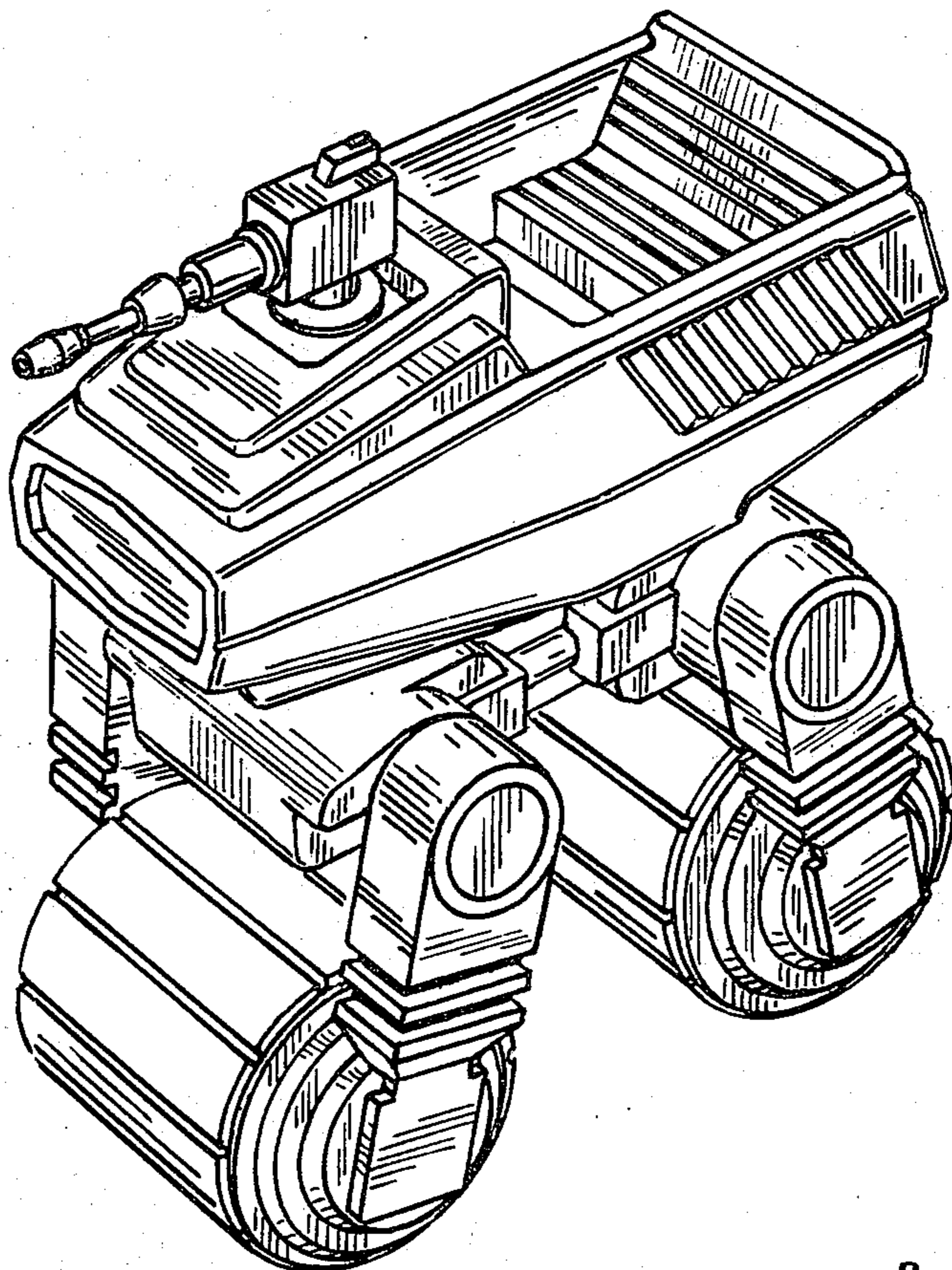


FIG. 1

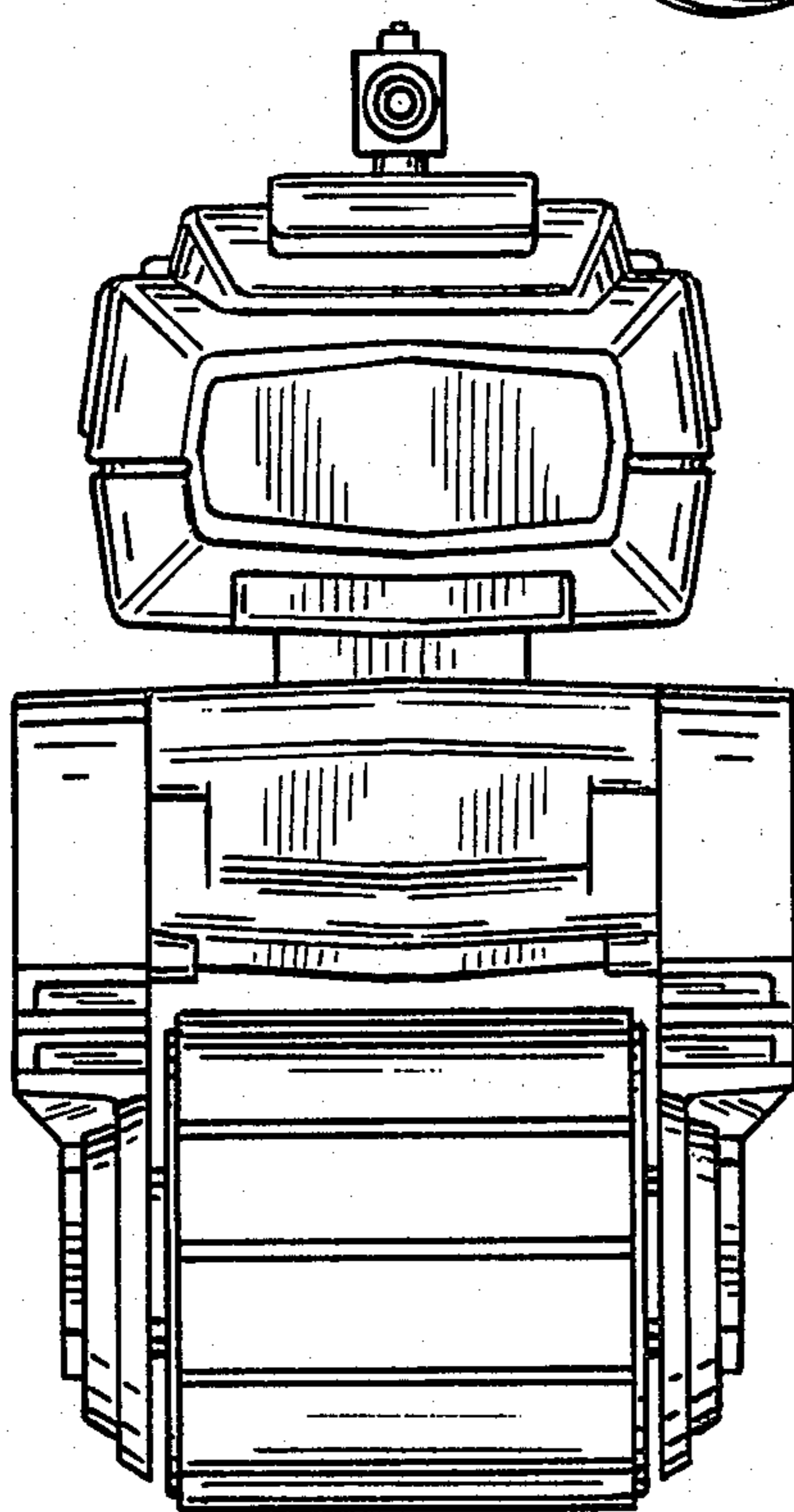


FIG. 2

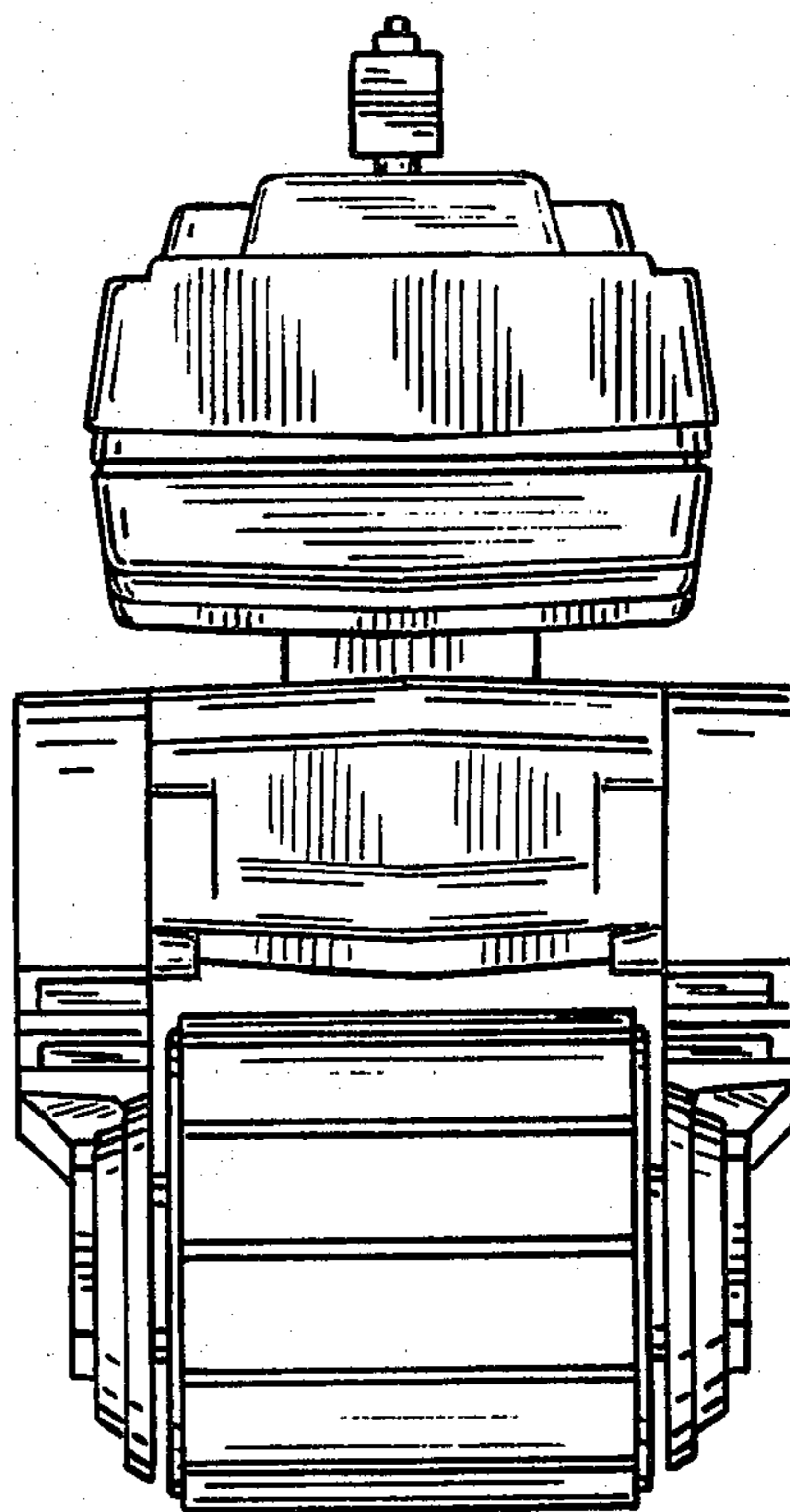


FIG. 3

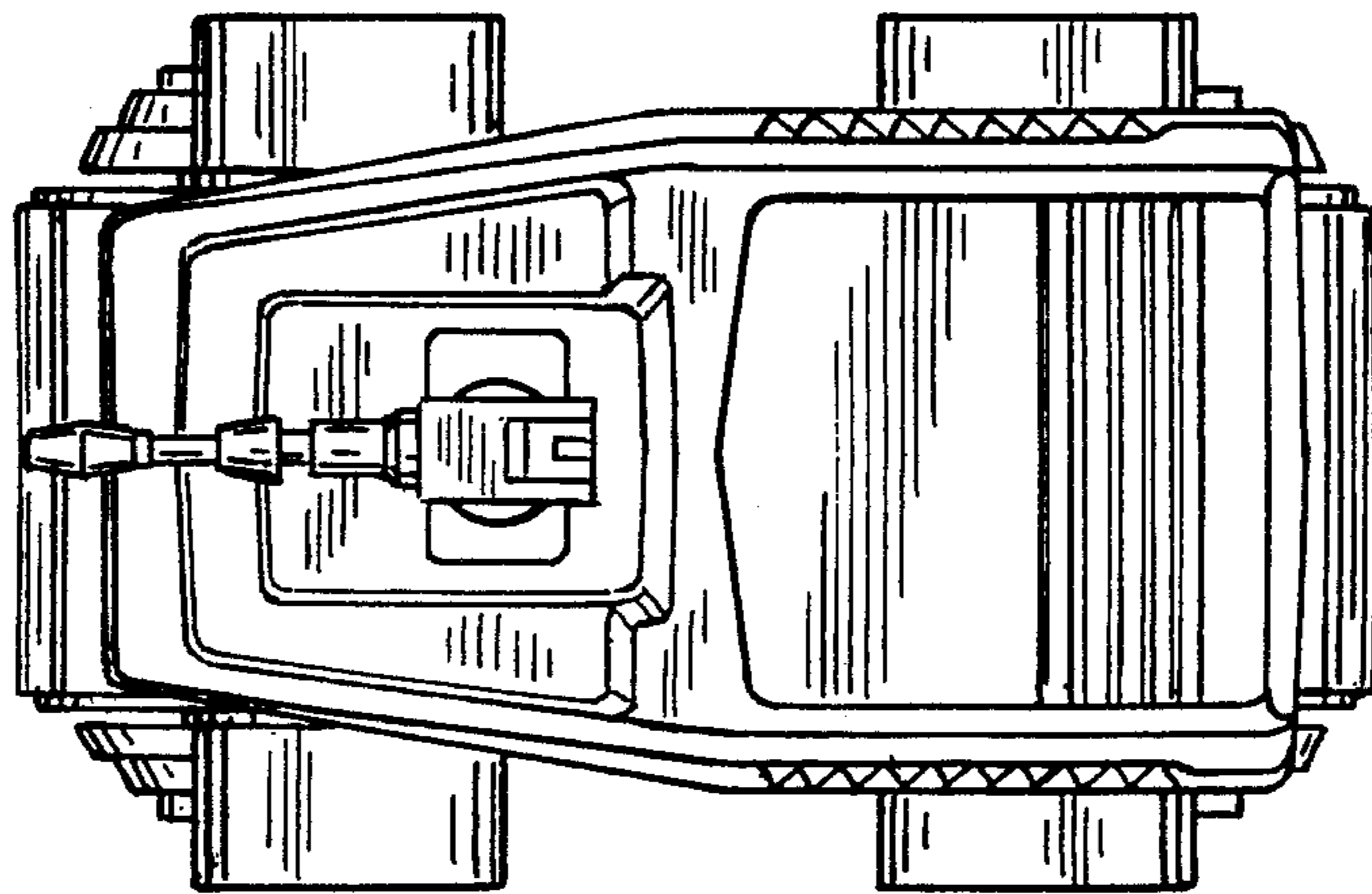


FIG. 5

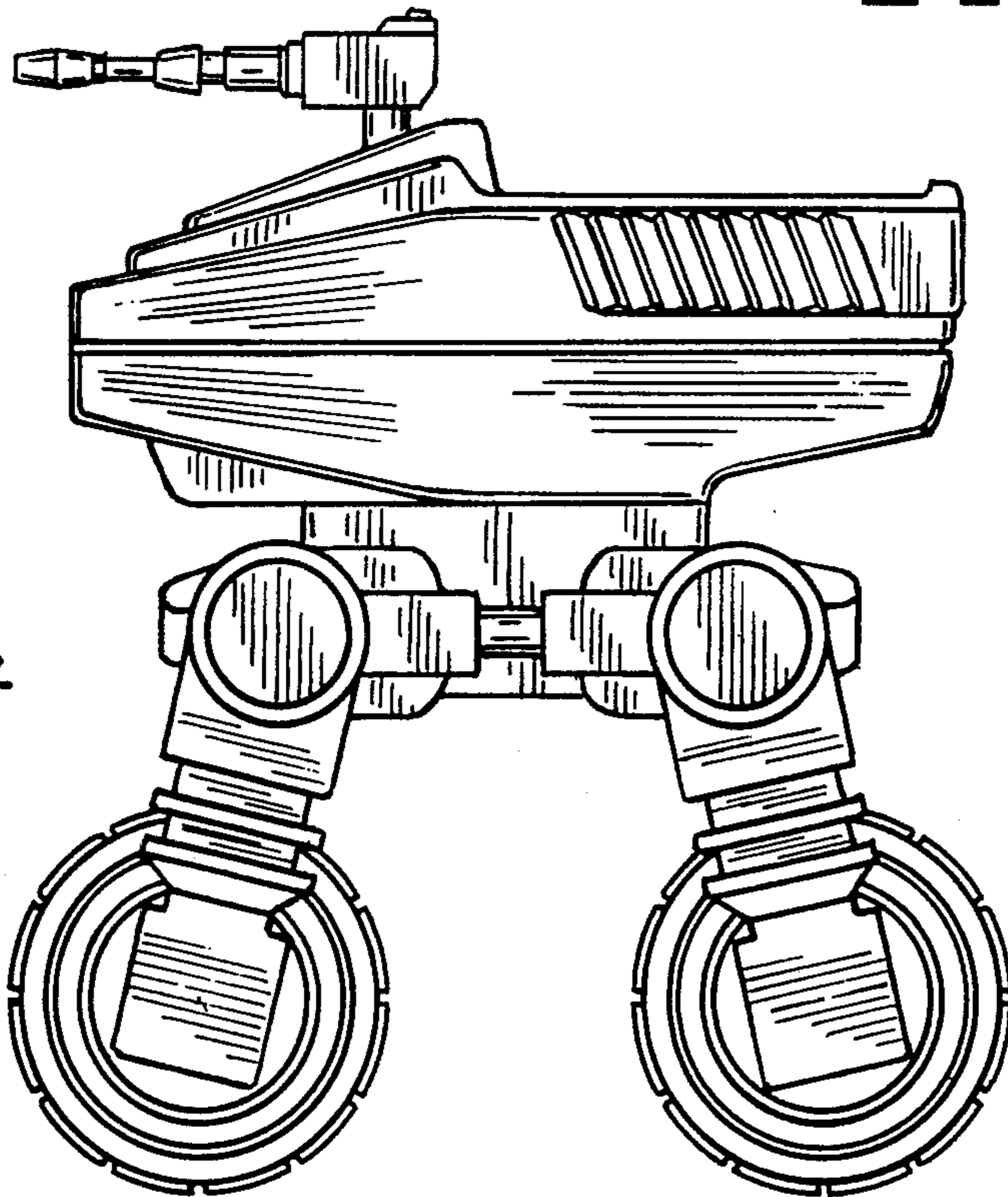


FIG. 4

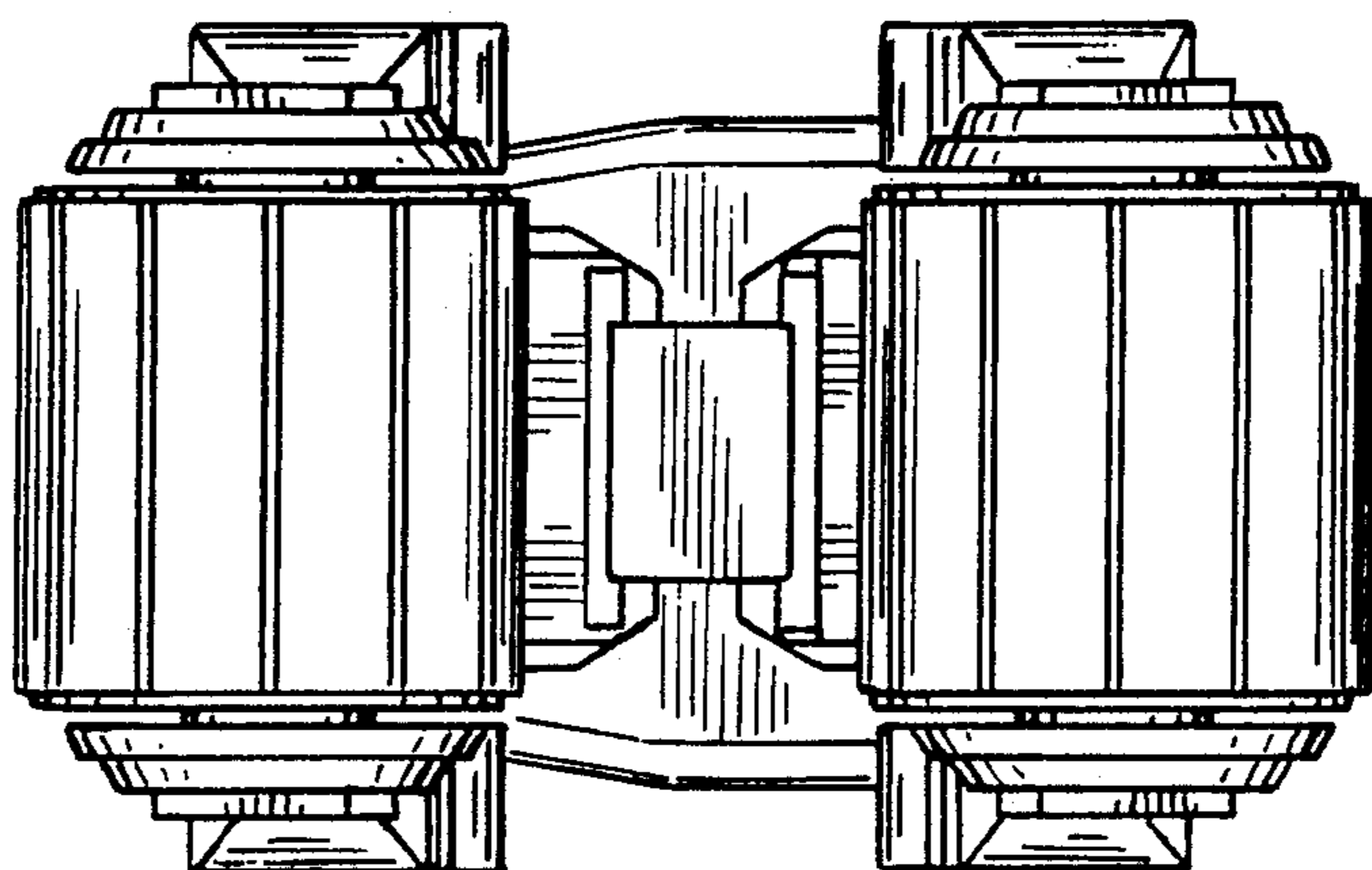


FIG. 6