

[54] TOY ROOM DISPLAY

[75] Inventors: Dale I. Goldberg; Douglas R. Miller, both of Cincinnati, Ohio

[73] Assignee: CPG Products Corp., Minneapolis, Minn.

[**] Term: 14 Years

[21] Appl. No.: 325,078

[22] Filed: Nov. 25, 1981

[52] U.S. Cl. D21/114

[58] Field of Search D21/114, 115, 116, 117, D21/118, 119, 59; 46/12, 13, 19, 32

[56] References Cited

U.S. PATENT DOCUMENTS

513,688	1/1894	Smith	46/12
1,493,277	5/1924	Pool	46/12
3,629,967	12/1971	Bass	46/13
4,165,579	8/1979	Chase	46/13
4,319,424	3/1982	Goldfarb et al.	46/12

OTHER PUBLICATIONS

Toys, Hobbies & Crafts Magazine, 2-1980, p. 100, Doll House at lower right corner of page.

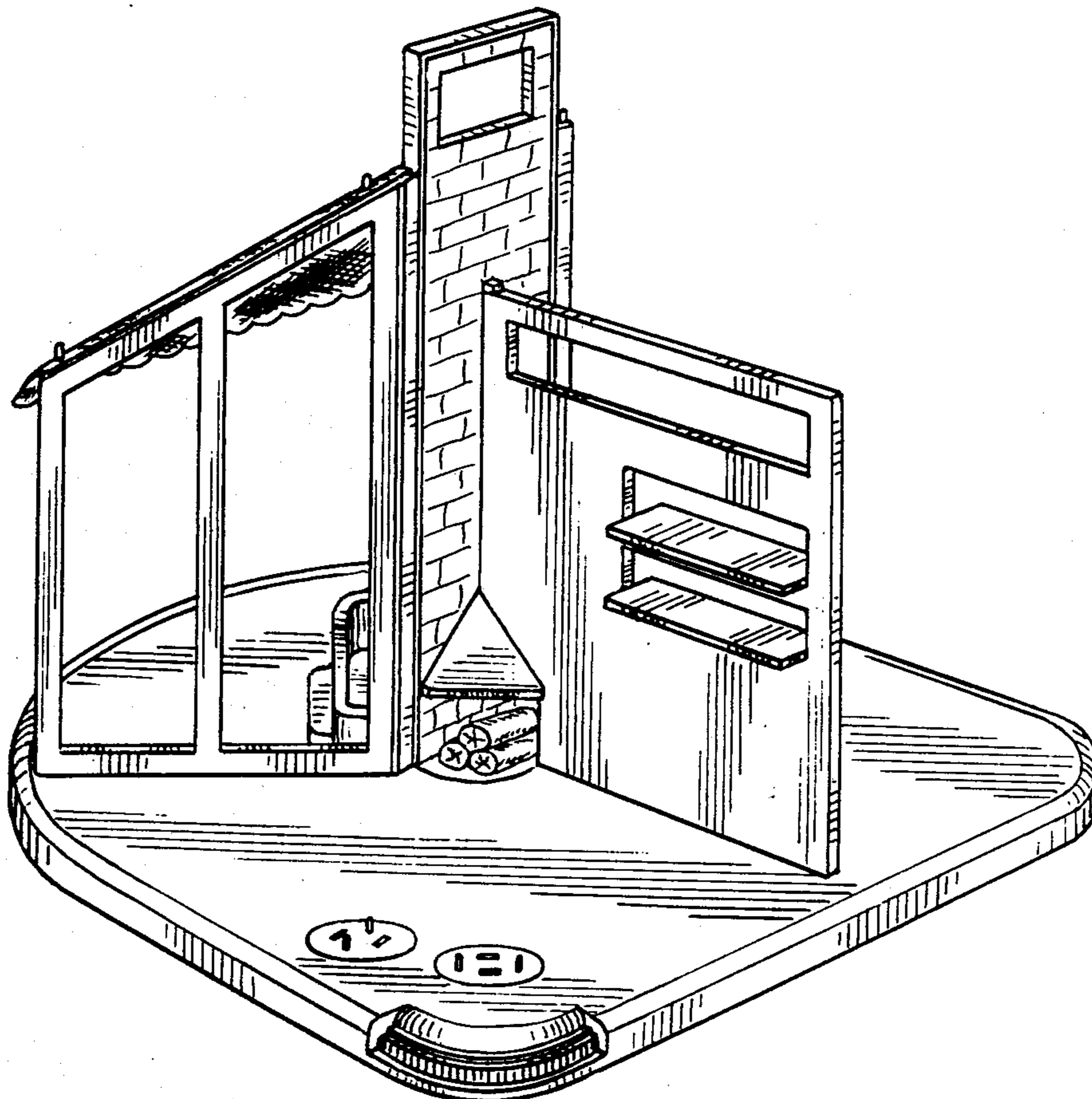
Primary Examiner—Charles A. Rademaker
Attorney, Agent, or Firm—L. McRoy Lillehaugen; Gene O. Enockson

[57] CLAIM

The ornamental design for a toy room display, substantially as shown and described.

DESCRIPTION

FIG. 1 is a left side perspective view of a toy room display illustrating our new design;
FIG. 2 is a right side perspective view thereof;
FIG. 3 is a rear perspective view thereof;
FIG. 4 is a front elevational view thereof;
FIG. 5 is a rear elevational view thereof;
FIG. 6 is a left side elevational view thereof;
FIG. 7 is a right side elevational view thereof;
FIG. 8 is a top plan view, slightly reduced in size, showing our design with an awning removed for purposes of clarity; and
FIG. 9 is a bottom plan view thereof, also slightly reduced in size.



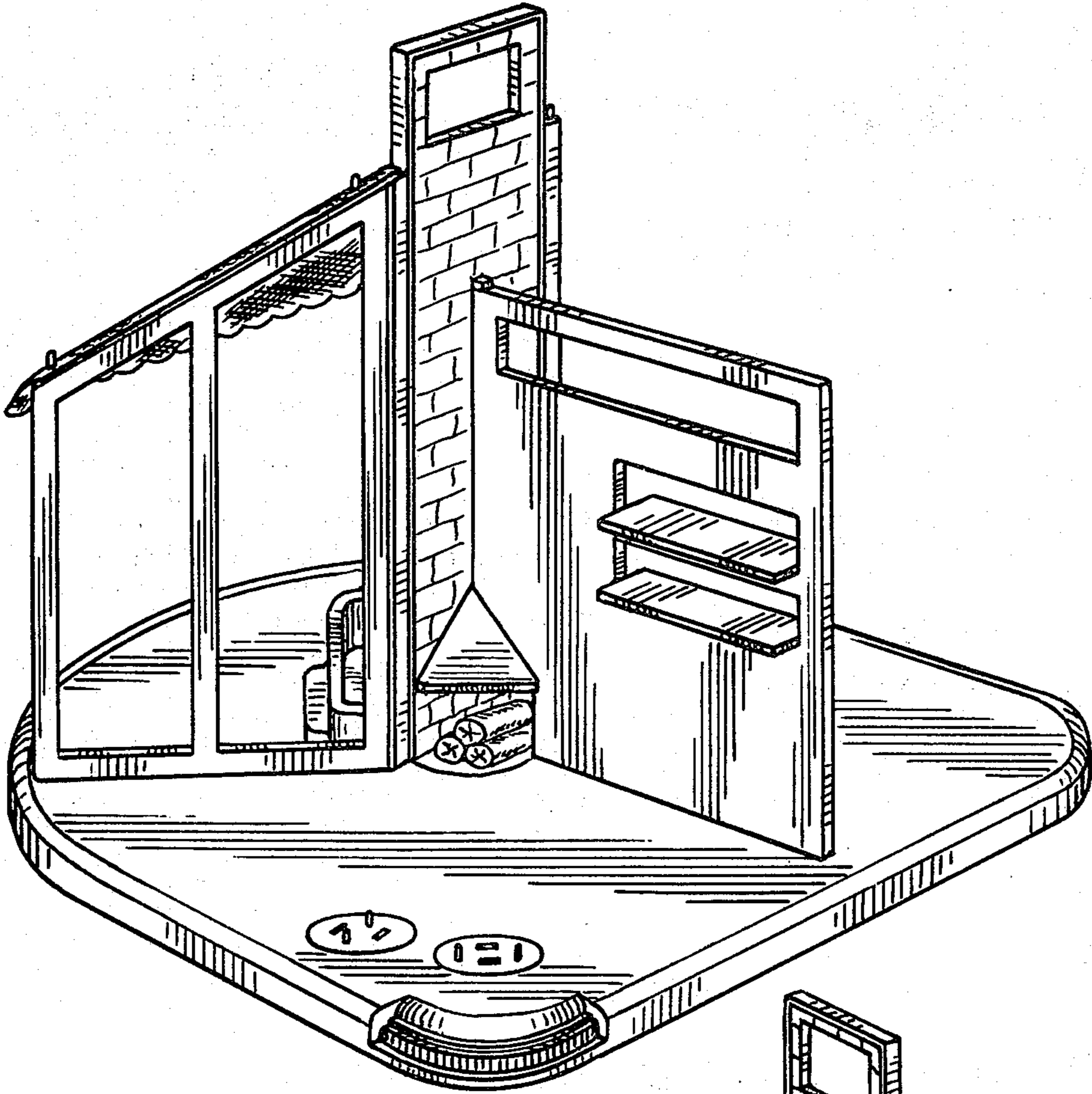


FIG. 1

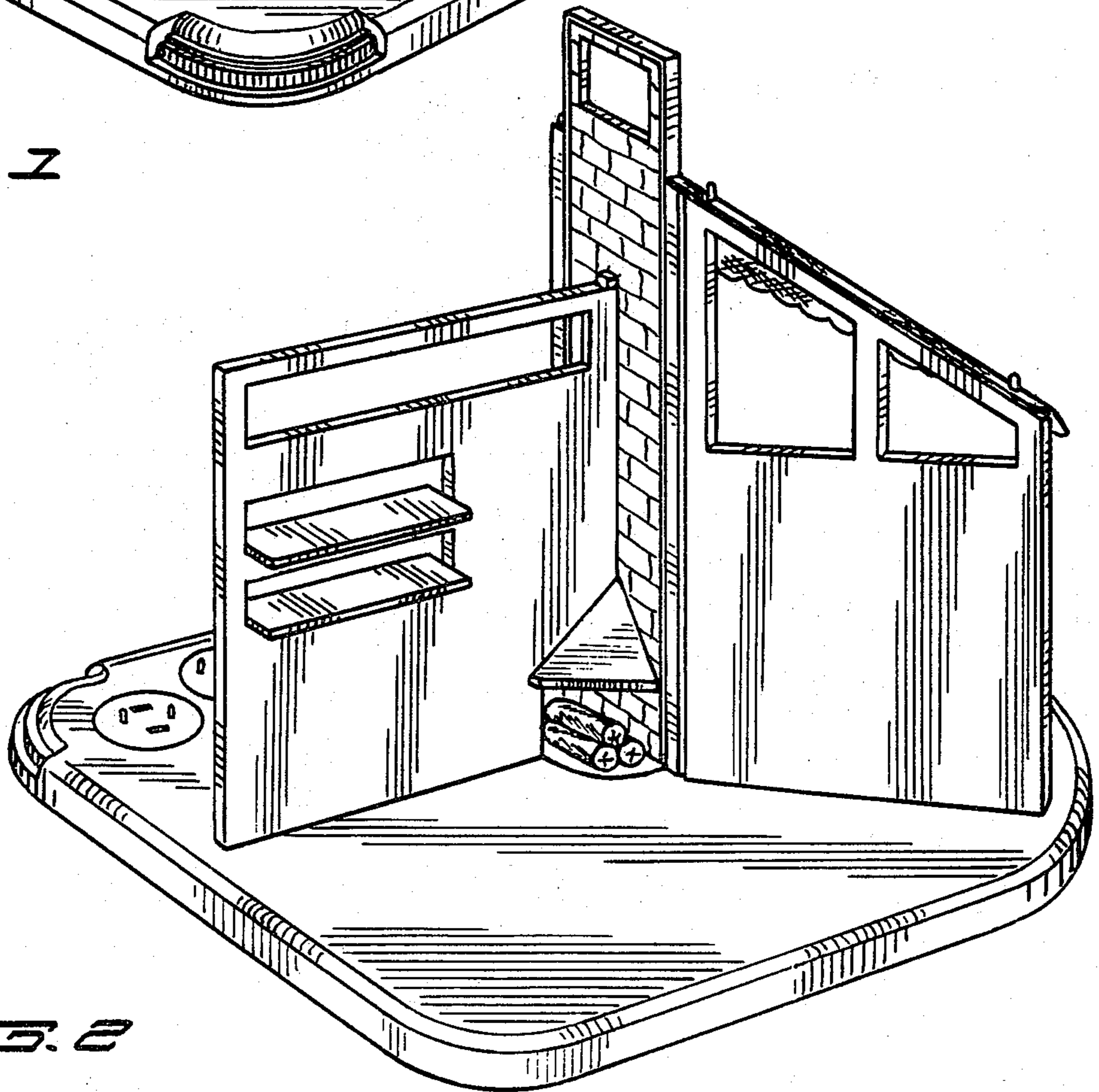


FIG. 2

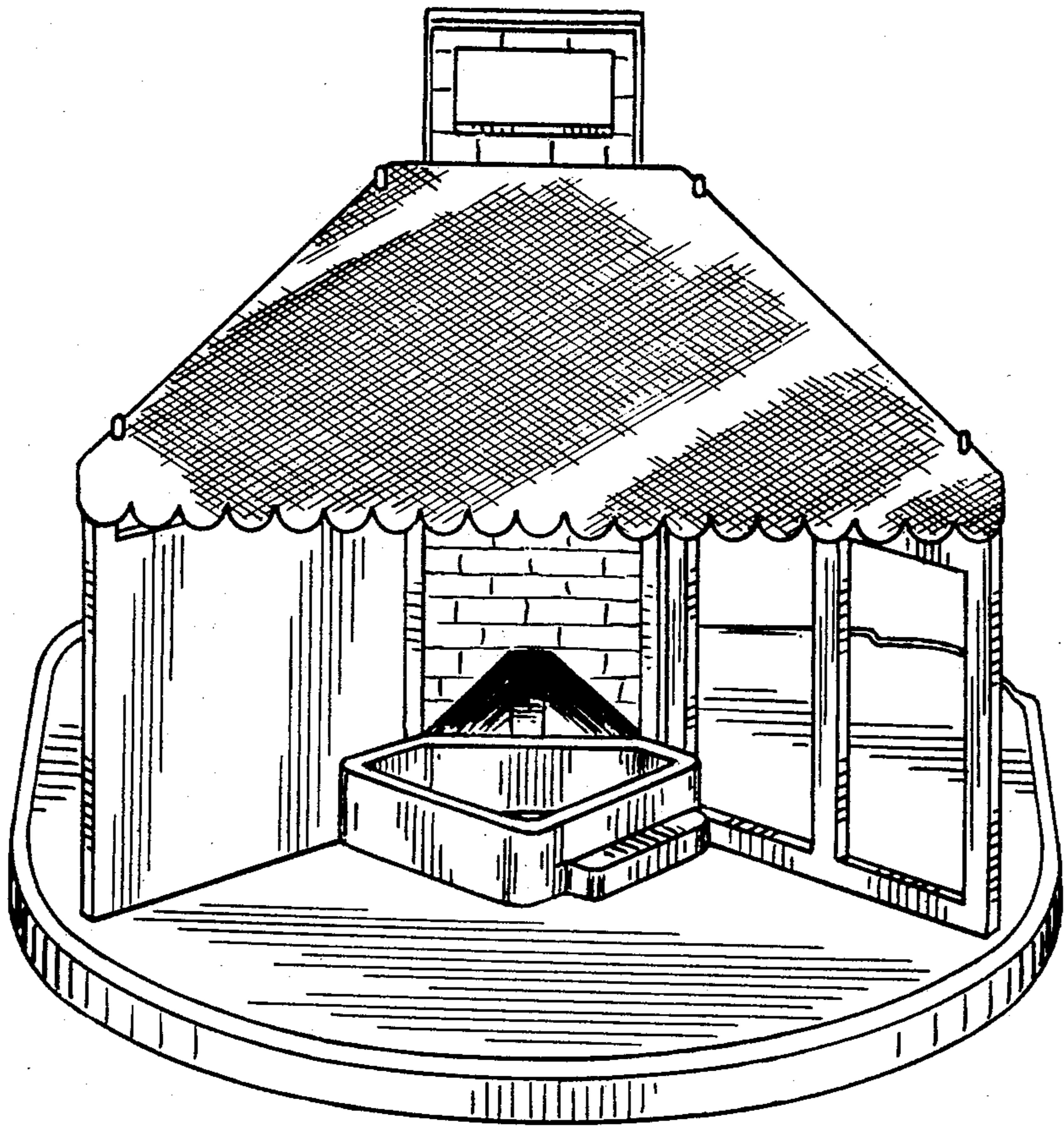


FIG. 3

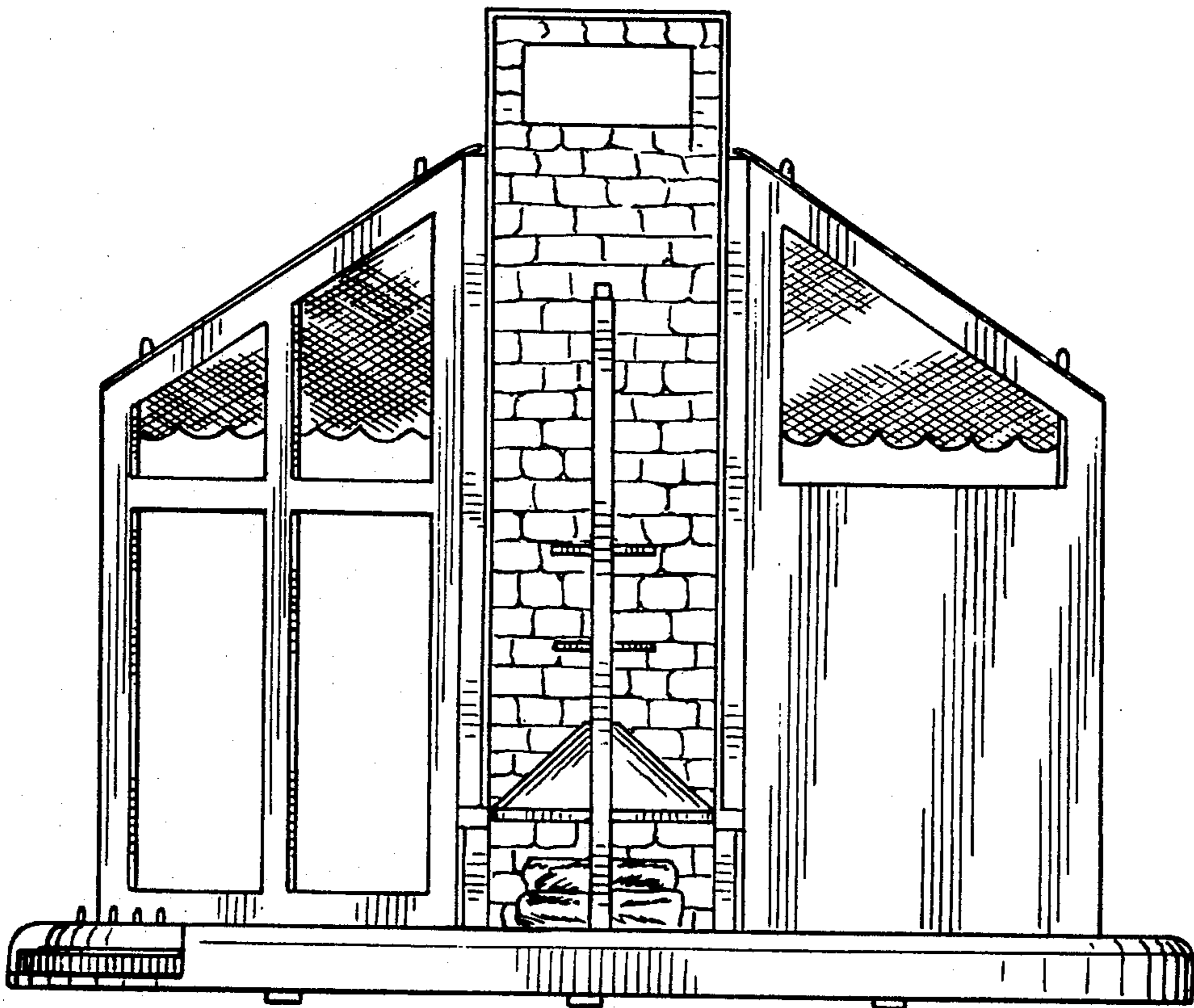


FIG. 4

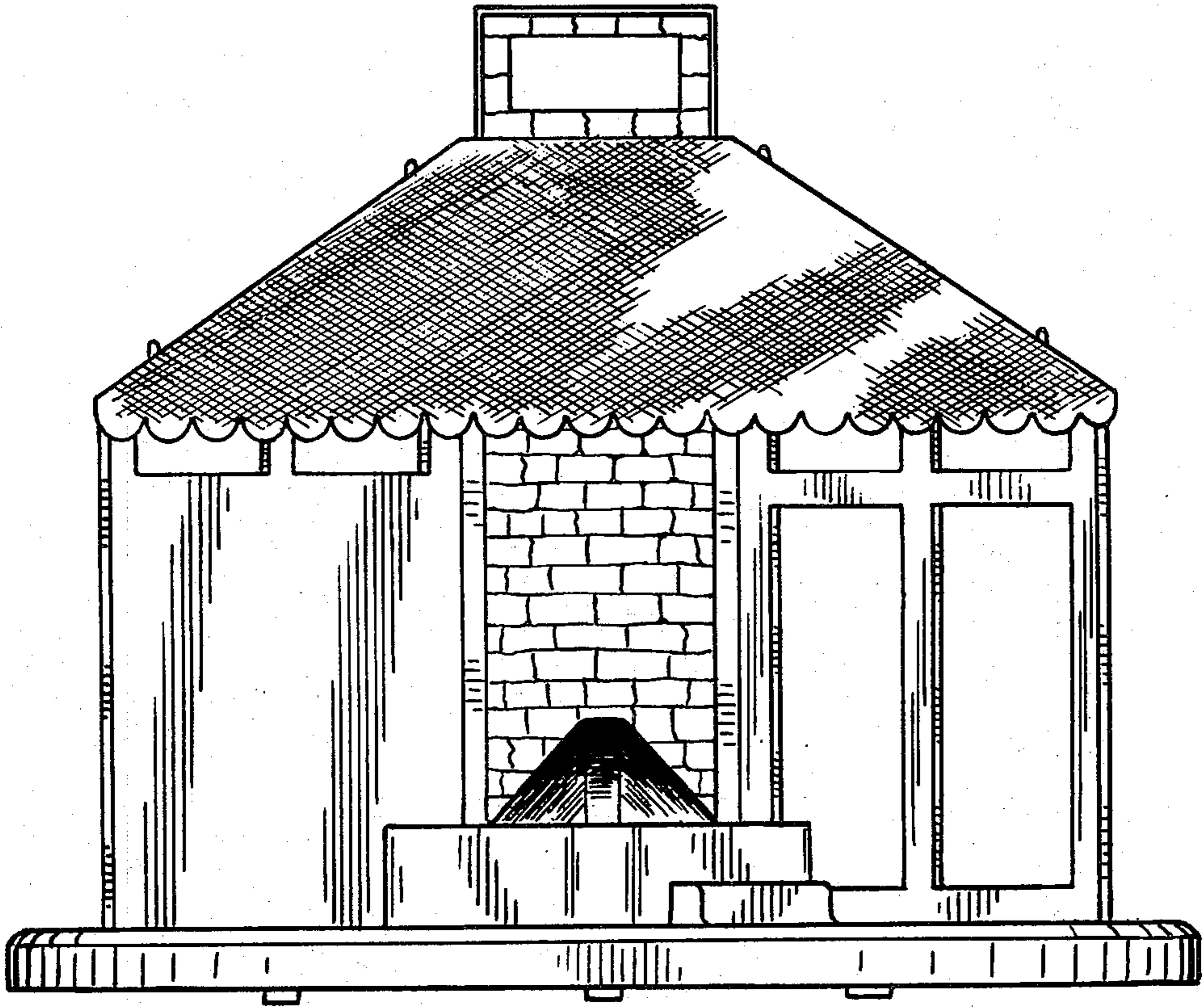


FIG. 5

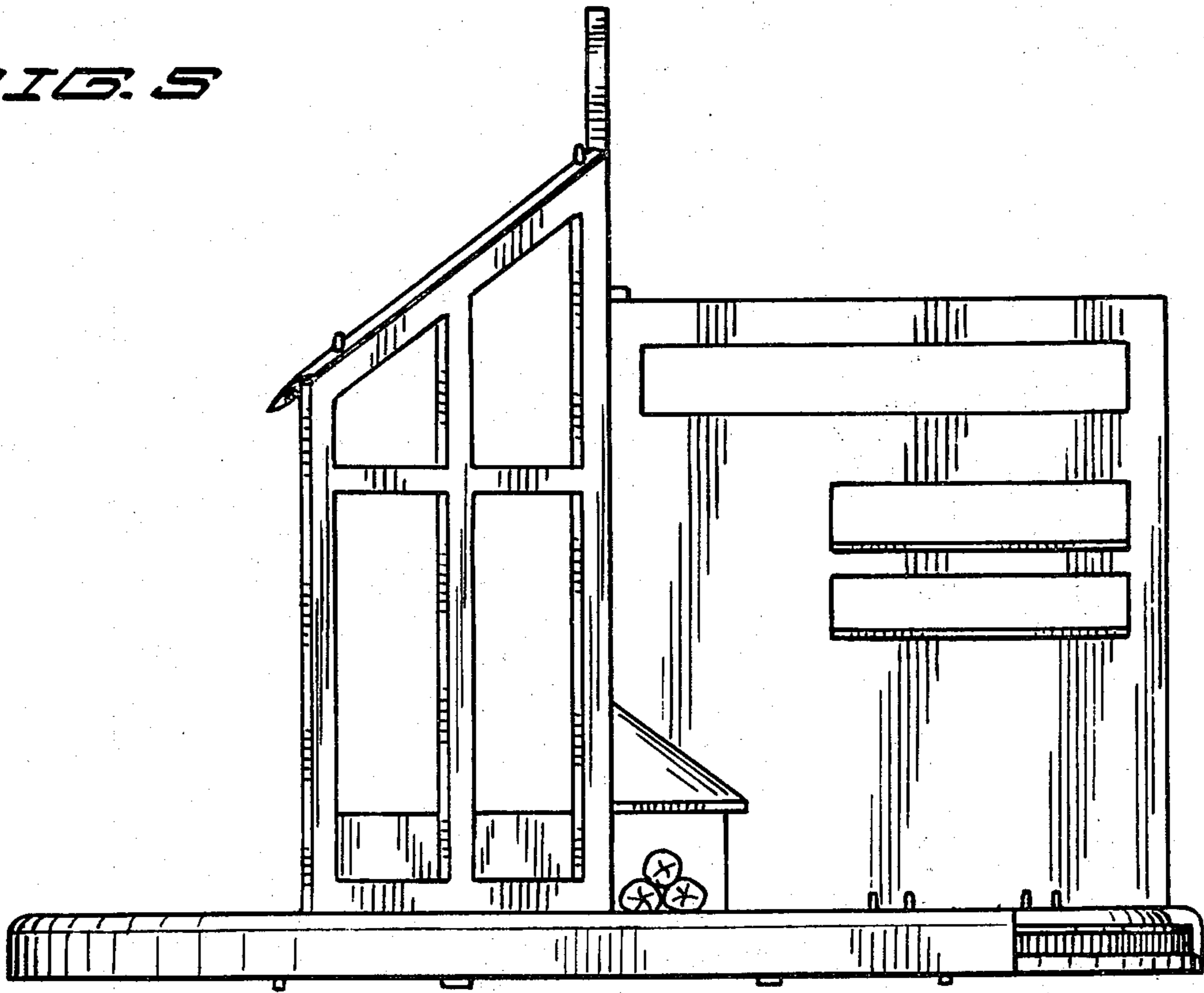


FIG. 6

FIG. 7

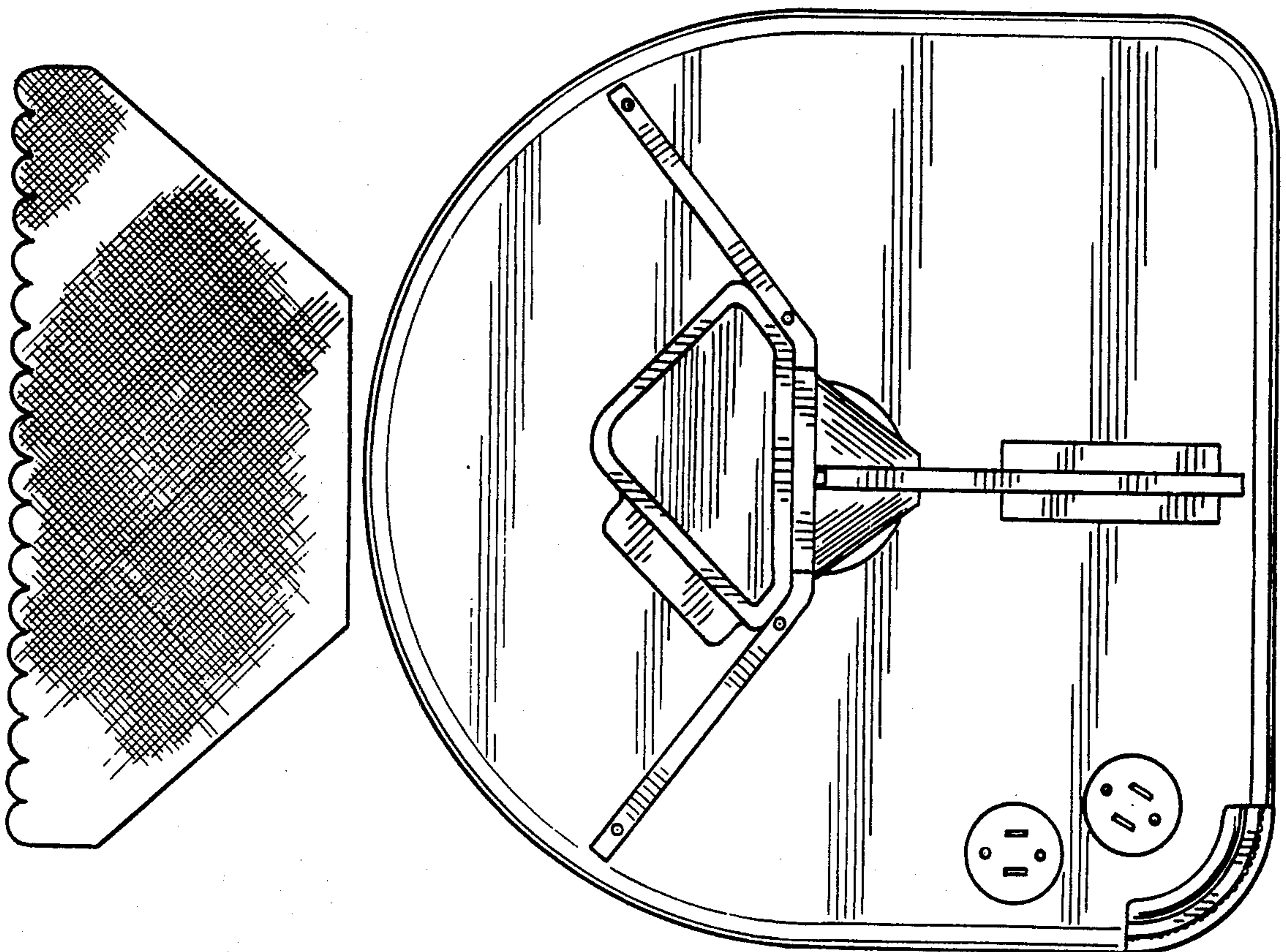
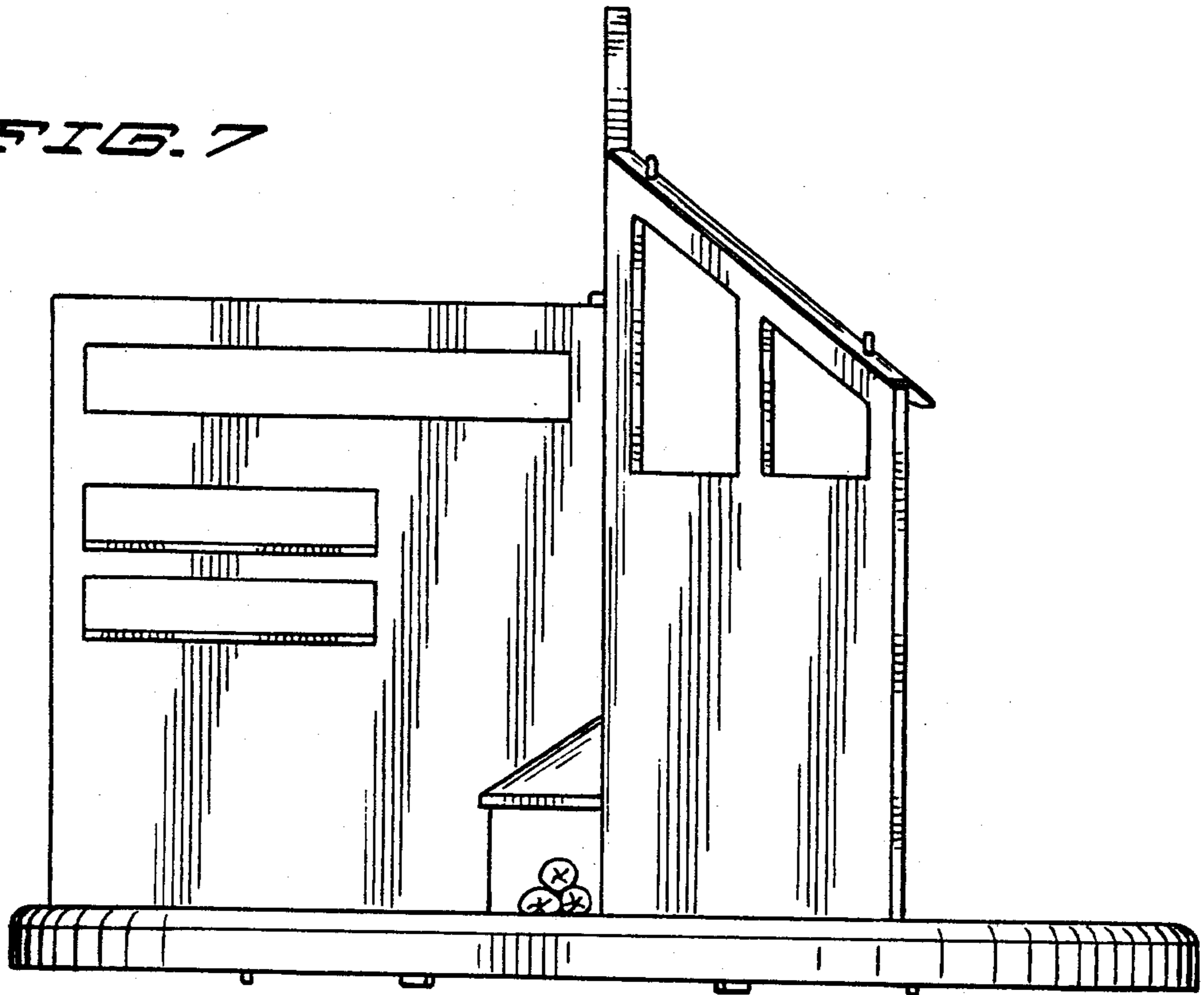


FIG. 8

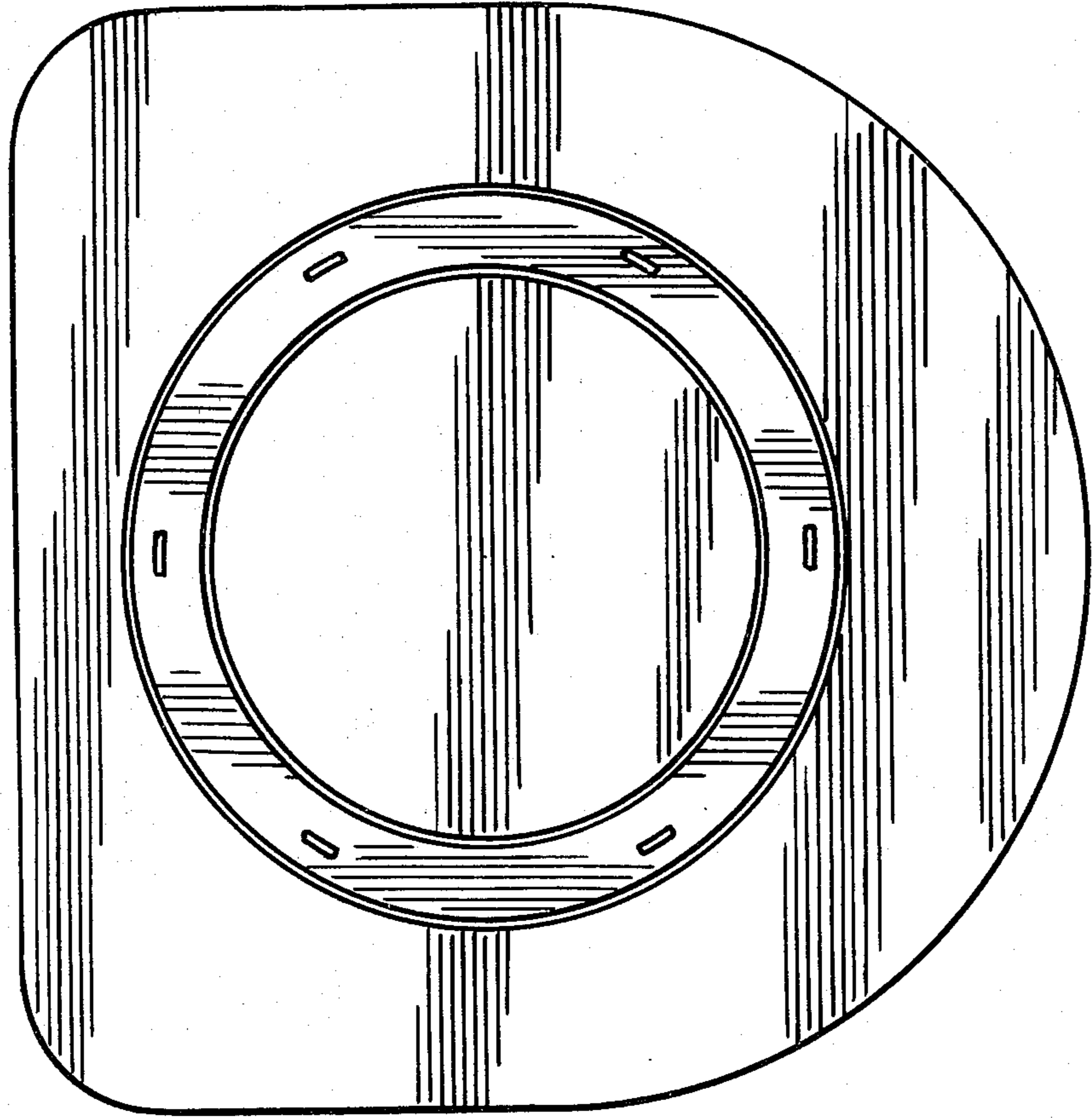


FIG. 9