

[54] CHANGE COUNTING MACHINE

[75] Inventors: Warren Austin; Alex Penny, both of West Chester, Pa.

[73] Assignee: Accurate Counters Company, West Chester, Pa.

[**] Term: 14 Years

[21] Appl. No.: 340,239

[22] Filed: Jan. 18, 1982

[52] U.S. Cl. D18/3

[58] Field of Search D18/3; 133/5 R, 8 R, 133/8 A; 53/212, 254

[56] References Cited

U.S. PATENT DOCUMENTS

D. 233,694	11/1974	Tamura	D18/3
1,410,239	3/1922	Baur	133/8 A
1,750,578	3/1930	Downey	133/8 A
2,805,676	9/1957	Jorgensen	133/8 R
3,246,658	4/1966	Buchholz	133/8 R
3,499,455	3/1970	Uchida	133/8 R
3,650,086	3/1972	Puhahn	53/254 X
3,757,805	9/1973	Puhahn	133/8 R

OTHER PUBLICATIONS

Vend-11/15/64-p. 99-portable coin counter at center.

Primary Examiner—Nelson C. Holtje
Attorney, Agent, or Firm—Dann, Dorfman, Herrell and Skillman

[57] CLAIM

The ornamental design for a change counting machine, substantially as shown and described.

DESCRIPTION

FIG. 1 is a top and right front perspective view of a change counting machine showing our new design; FIG. 2 is a top plan view thereof; FIG. 3 is a right side elevational view thereof; FIG. 4 is a left side elevational view thereof; FIG. 5 is a rear elevational view thereof; FIG. 6 is a front elevational view thereof; FIG. 7 is a bottom plan view thereof; FIG. 8 is a top and left front perspective view of another embodiment of our new design of FIGS. 1-7 wherein a cover and carrying handle have been added thereto, all other views being substantially similar to those visible in FIGS. 1-7.

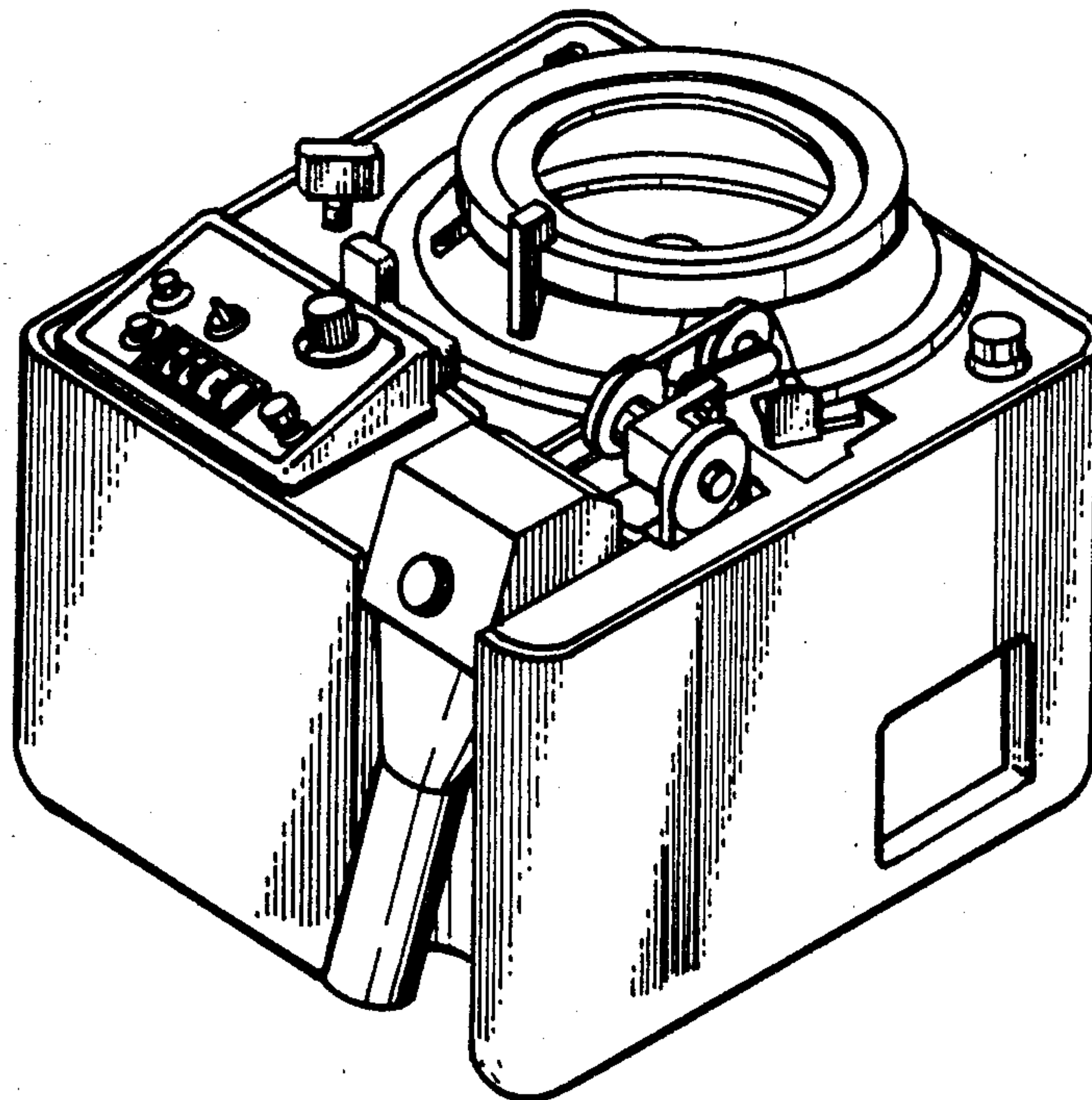


FIG. 1

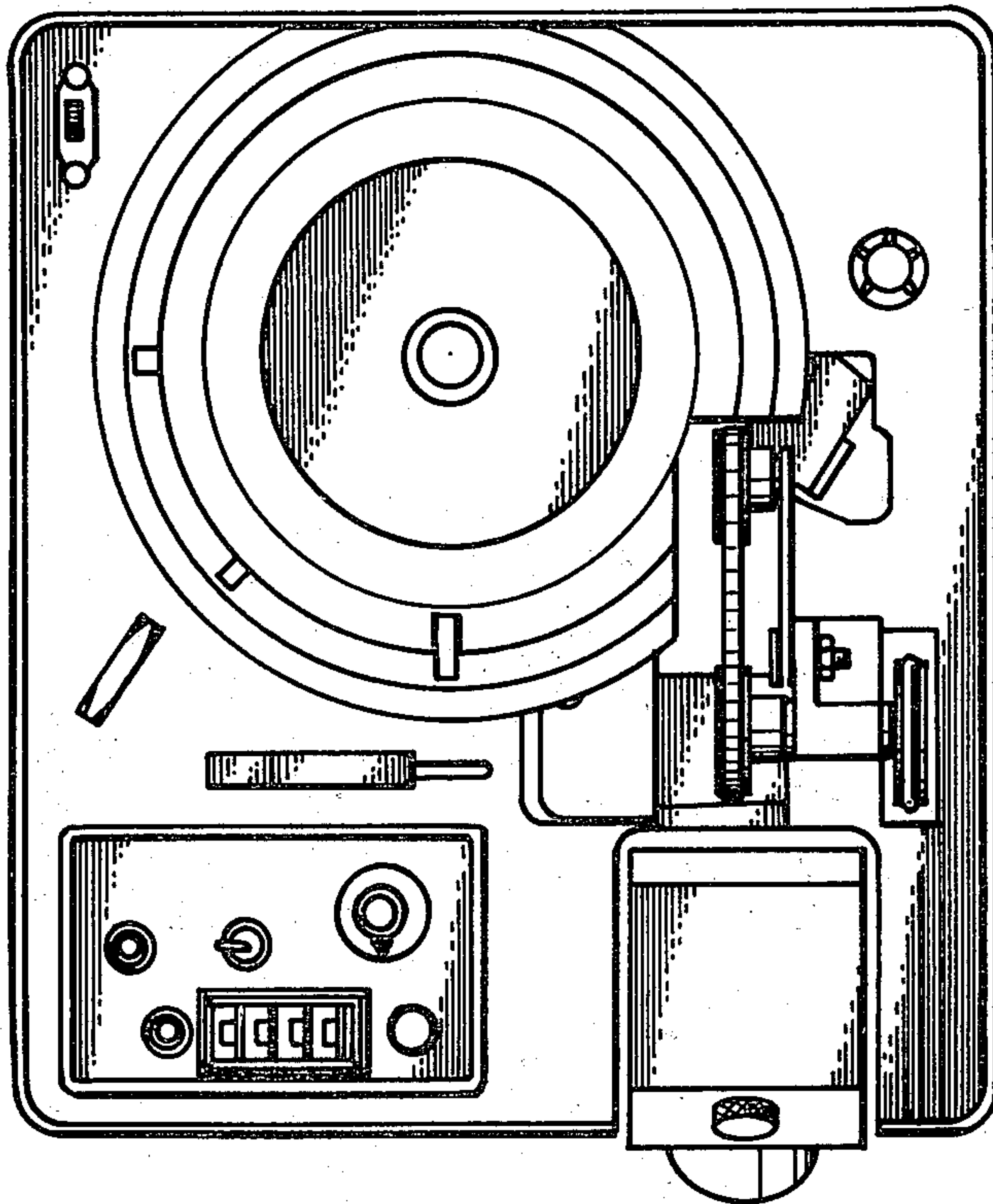
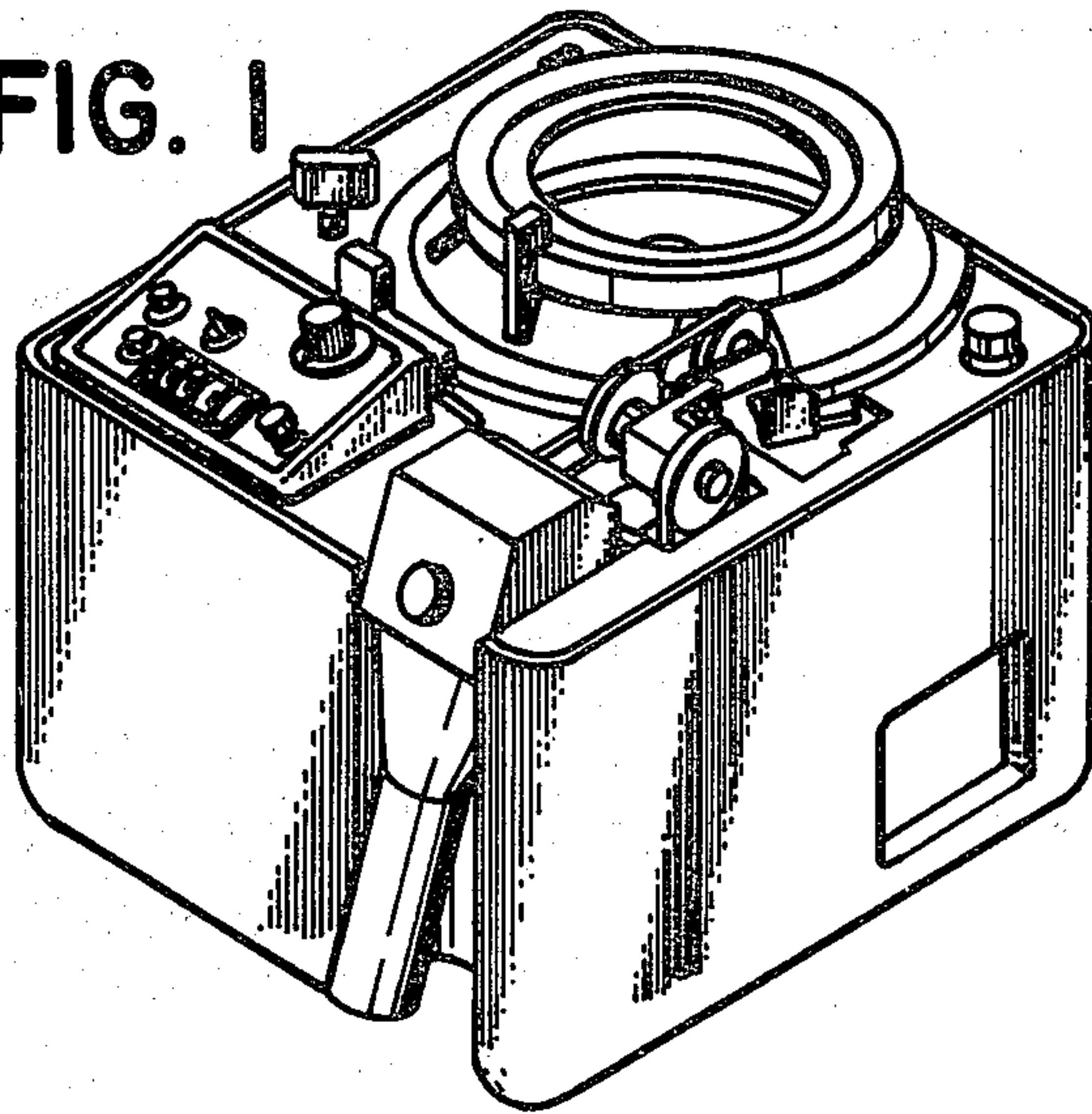


FIG. 2

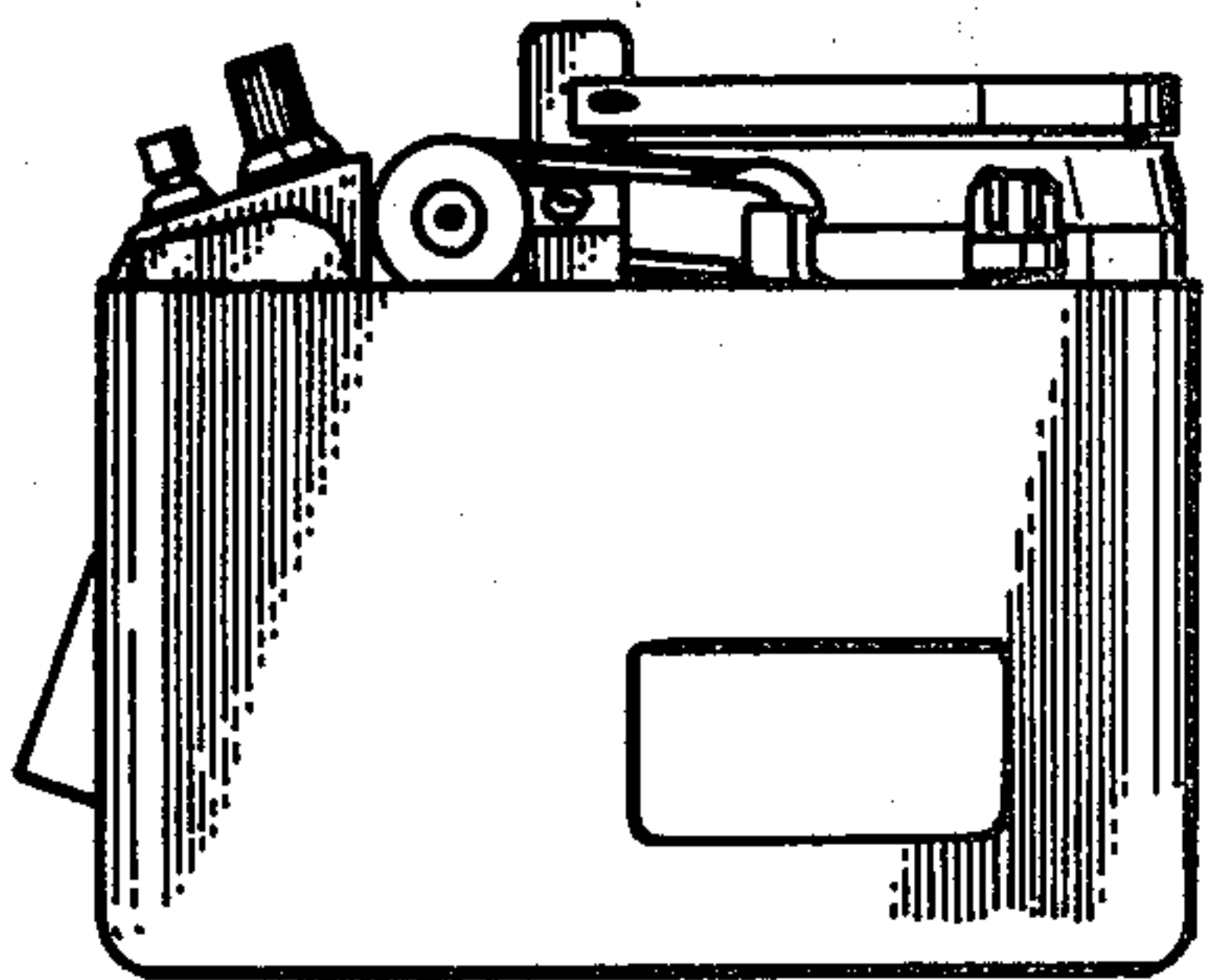


FIG. 3

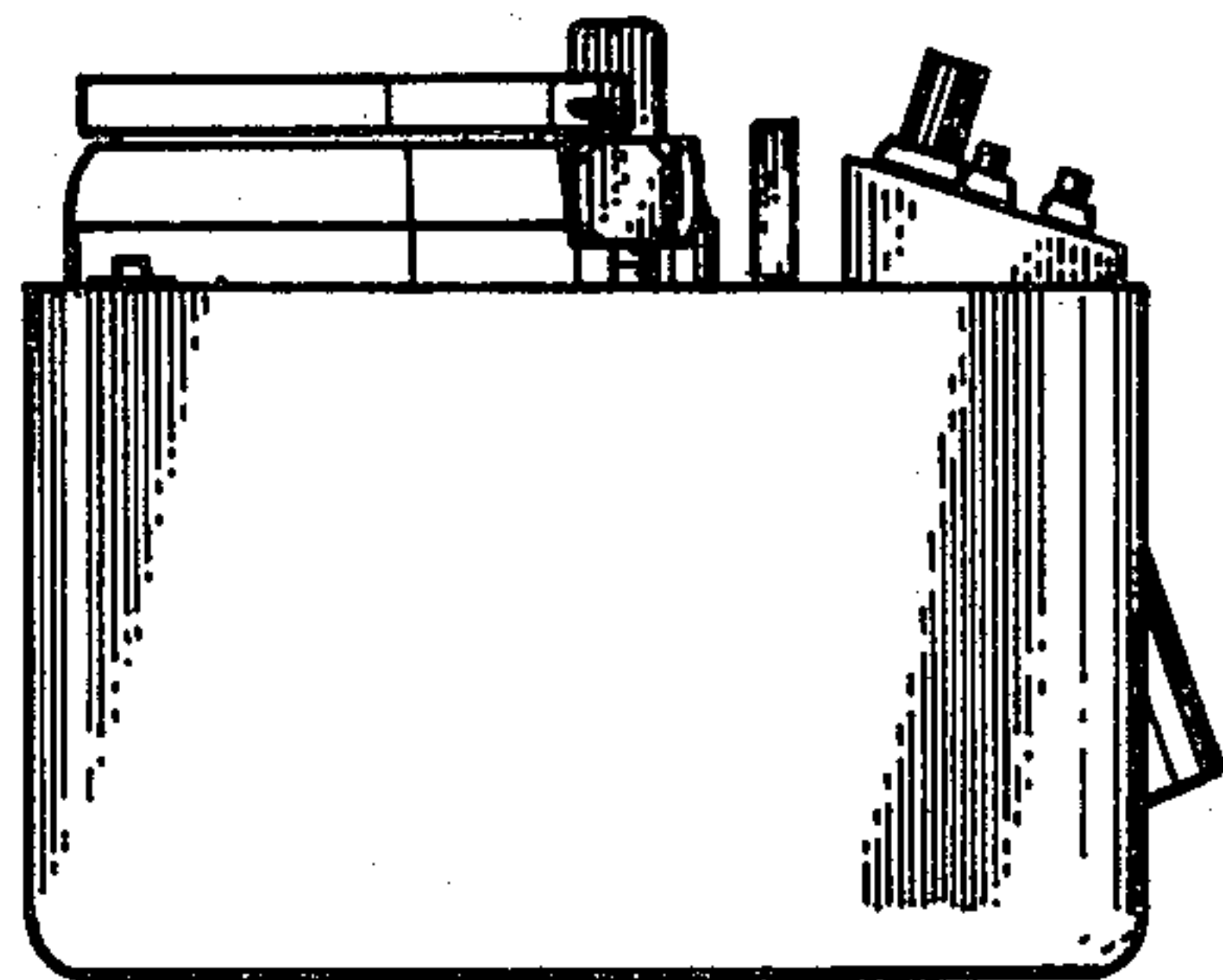


FIG. 4

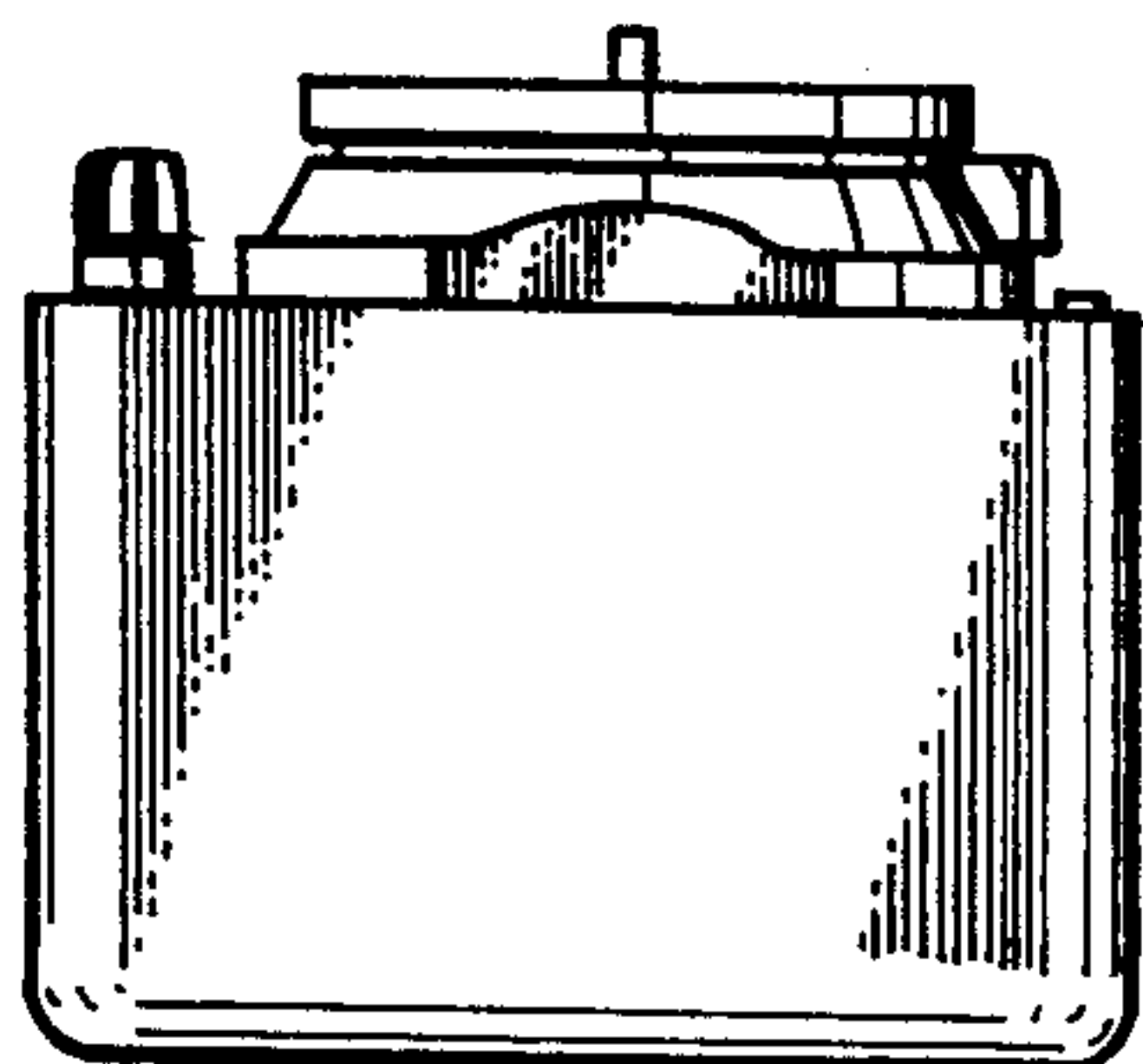


FIG. 5

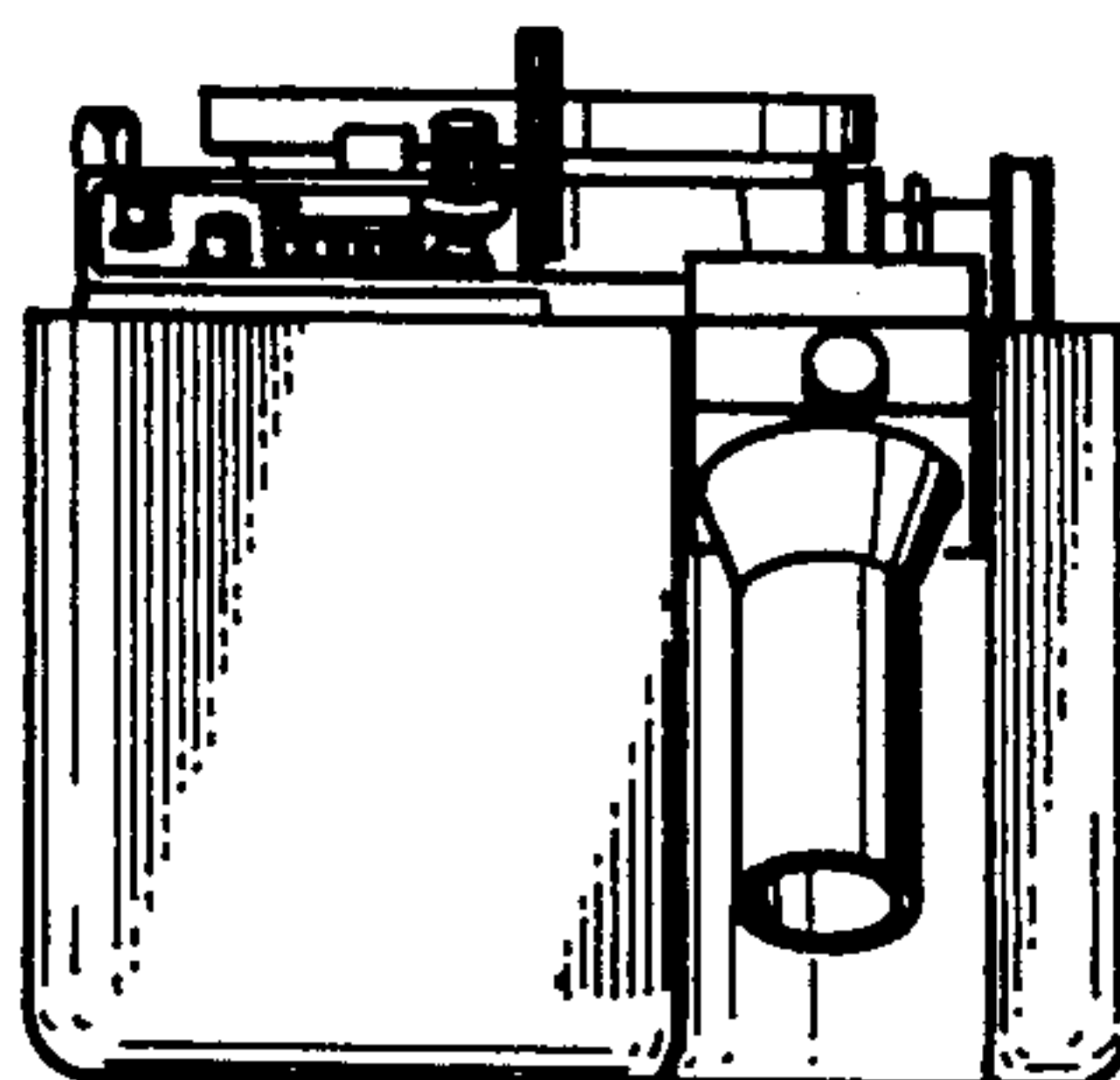


FIG. 6

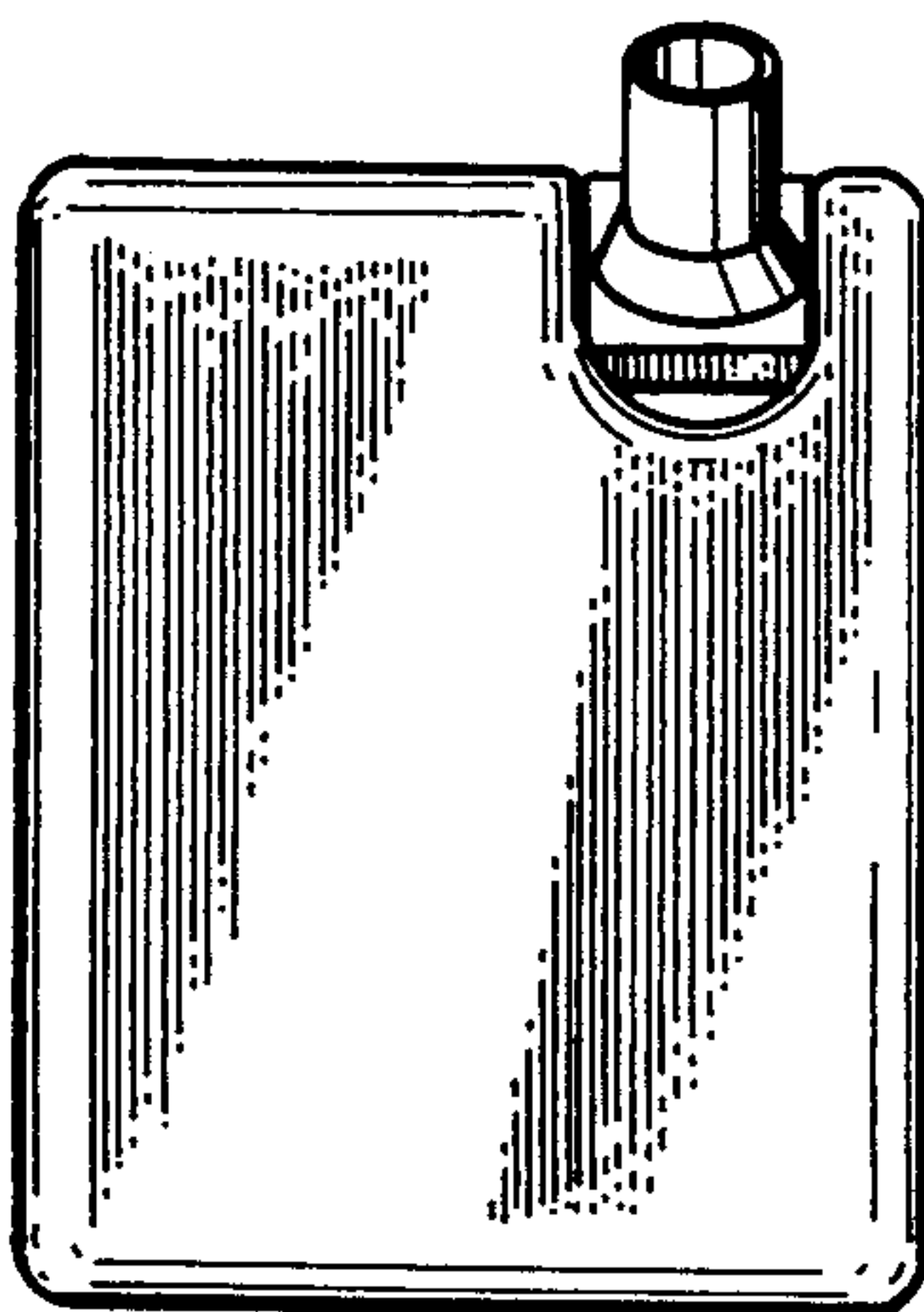


FIG. 7

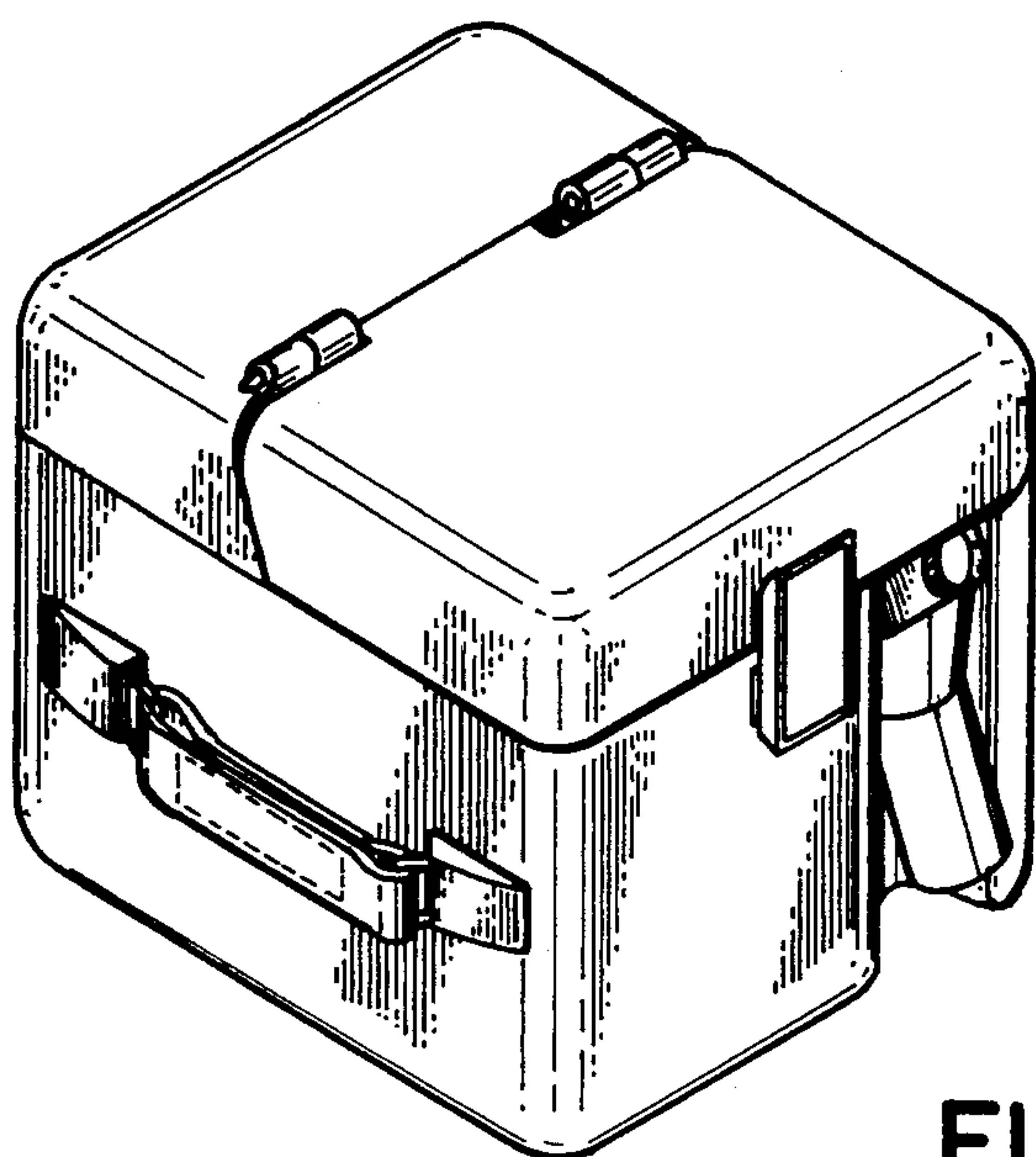


FIG. 8