

[54] ENCLOSURE FOR TELEPHONE AND THE LIKE

[76] Inventor: Lee Karsch, 30 Joan Dr., Chappaqua, N.Y. 10514

[**] Term: 14 Years

[21] Appl. No.: 412,275

[22] Filed: Aug. 27, 1982

[52] U.S. Cl. D14/60; D6/172; D14/59

[58] Field of Search D6/172, 173; 312/114, 312/305; 248/37.3; D14/59, 65; 179/178, 179, 100 D, 100 R

[56] References Cited

U.S. PATENT DOCUMENTS

D. 4,628	2/1871	Grove	D6/173
D. 130,912	12/1941	Meyer	D6/173
D. 132,015	4/1942	Trojan	D6/173
D. 211,548	6/1968	Hayes	D6/173

D. 255,401	6/1980	Smith	D6/172
D. 258,882	4/1981	Beecher et al.	D14/60
D. 266,219	9/1982	Brittner	D6/172
D. 268,368	3/1983	Moss	D6/173 X
3,941,951	3/1976	Engstrom et al.	179/179

Primary Examiner—Bernard Ansher
Attorney, Agent, or Firm—Pennie & Edmonds

[57] CLAIM

The ornamental design for an enclosure for telephones and the like, substantially as shown and described.

DESCRIPTION

FIG. 1 is a front perspective view of an enclosure for telephones and the like;
FIG. 2 is a front perspective view of the base portion with the cover removed for clarity of illustration;
FIG. 3 is a top plan view of FIG. 1;
FIG. 4 is a front elevation thereof; and
FIG. 5 is a side elevation thereof.
The broken lines in FIG. 2 illustrating the desk telephone are shown for illustrative purposes.

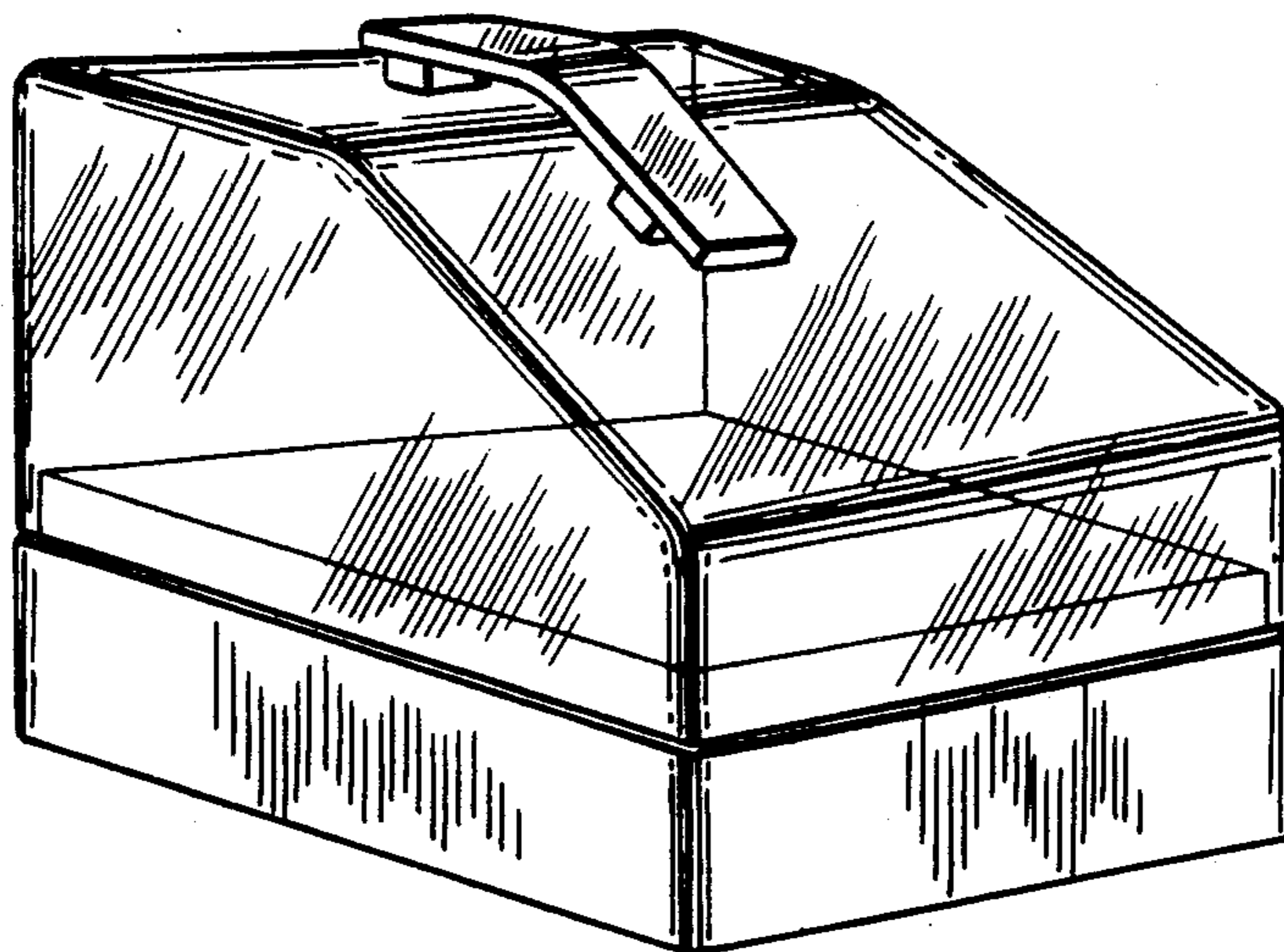


FIG. 1

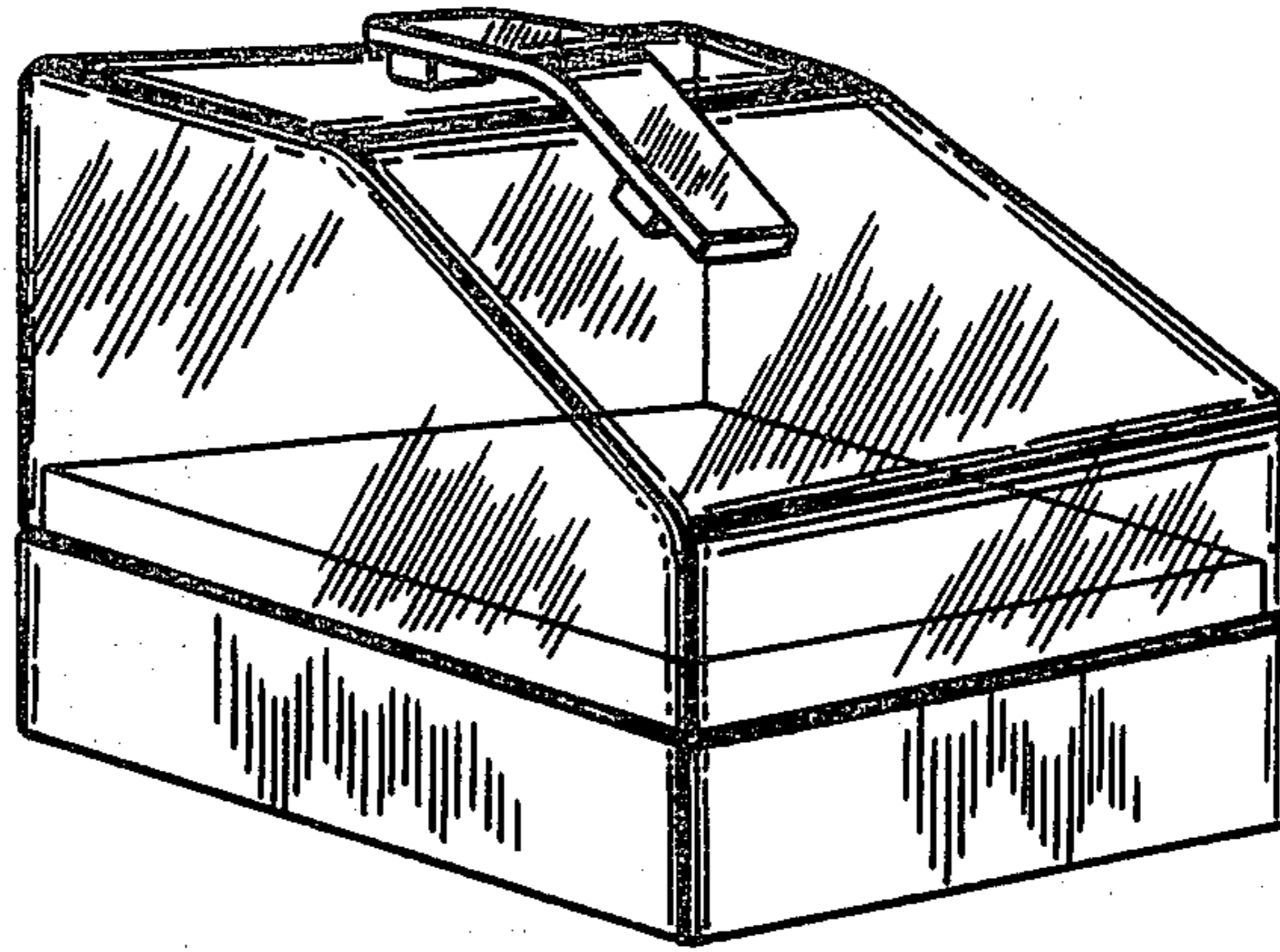


FIG. 2

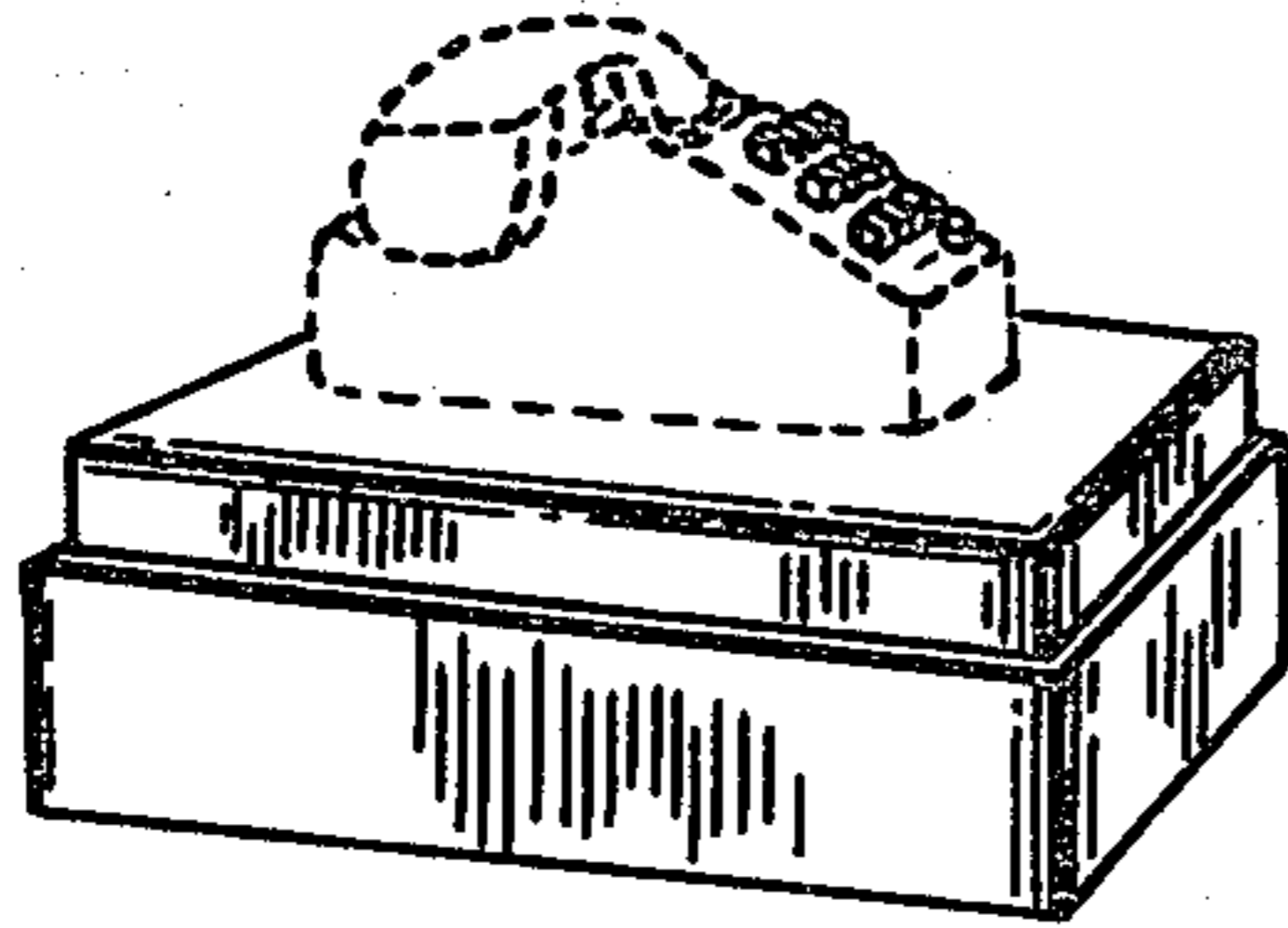


FIG. 3

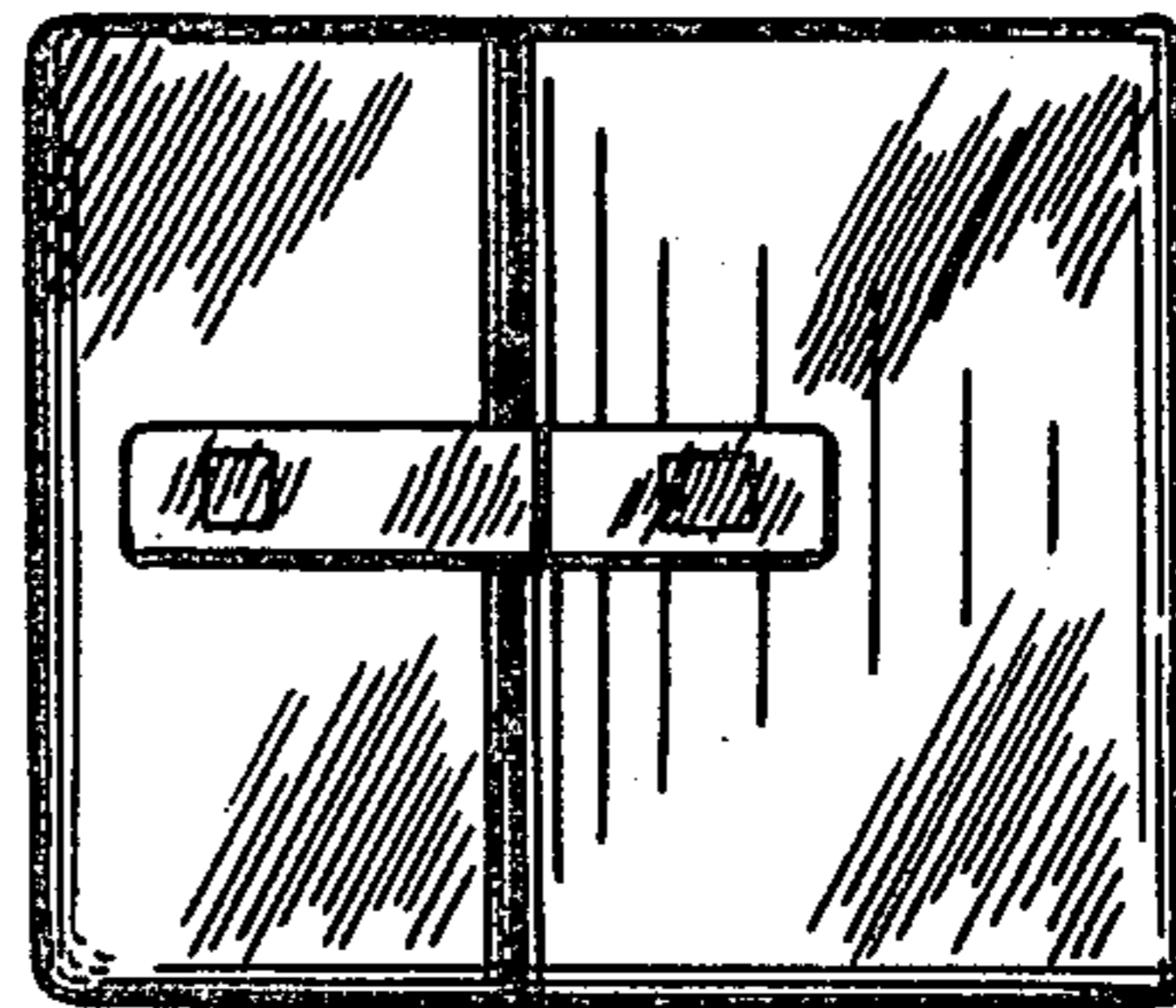


FIG. 4

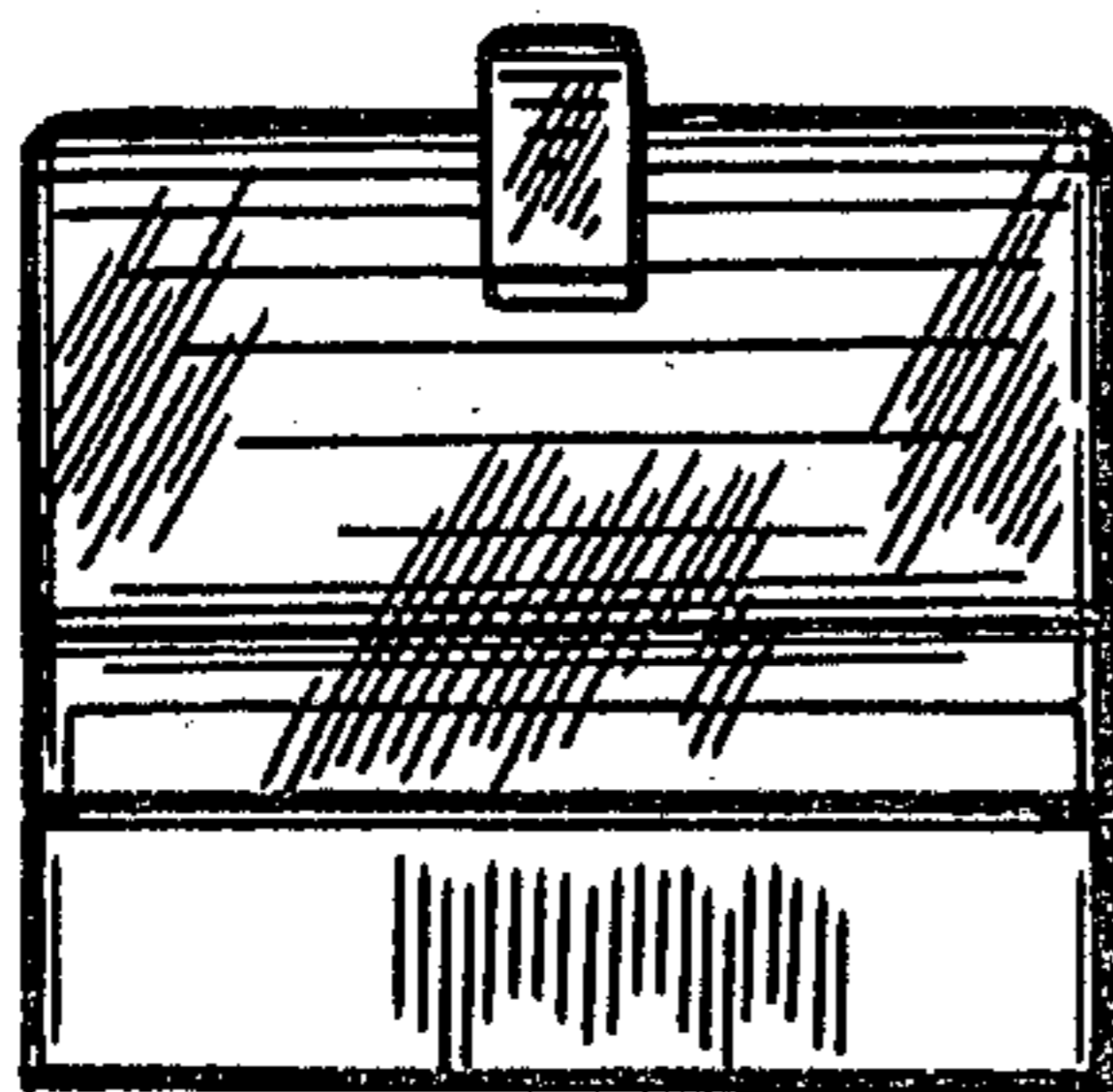


FIG. 5

