

[54] TIE-DOWN MEMBER

[76] Inventor: Robert C. Kucher, 3819 - 92nd Ave. Northeast, Bellevue, Wash. 98004

[\*\*] Term: 14 Years

[21] Appl. No.: 63,933

[22] Filed: Aug. 6, 1979

[52] U.S. Cl. .... D8/382

[58] Field of Search ..... D23/36, 45; D8/349, D8/354, 367, 382, 383, 394, 499, 59; 248/499, 508, 346, 187, 251, 310; D6/103; 285/179, 176; 81/177 G; 403/328, 287, 301

[56] References Cited

U.S. PATENT DOCUMENTS

1,265,341	5/1918	Keller .....	81/177 G
1,744,413	1/1930	Peterson et al. ....	81/177 G
3,924,493	12/1975	Penner .....	81/177 G
3,935,762	2/1976	Tudisco .....	81/177 G

OTHER PUBLICATIONS

Sweet's Architectural Catalog File, 1978, section 10.16/AM, p. 56, Wall Mount Component, top right. Sweet's Architectural Catalog File, 1977, 5.11/CN, p. 7, Return to Wall at top right.

Primary Examiner—A. Hugo Word  
Attorney, Agent, or Firm—Thomas W. Secrest

[57] CLAIM

The ornamental design for a tie-down member, as shown.

DESCRIPTION

FIG. 1 is a side elevational view of said invention; FIG. 2 is a front elevational view of said invention; FIG. 3 is a rear elevational view of said invention; FIG. 4 is a top plan view of said invention; FIG. 5 is a perspective view of said invention; and, FIG. 6 is a bottom plan view of said invention.

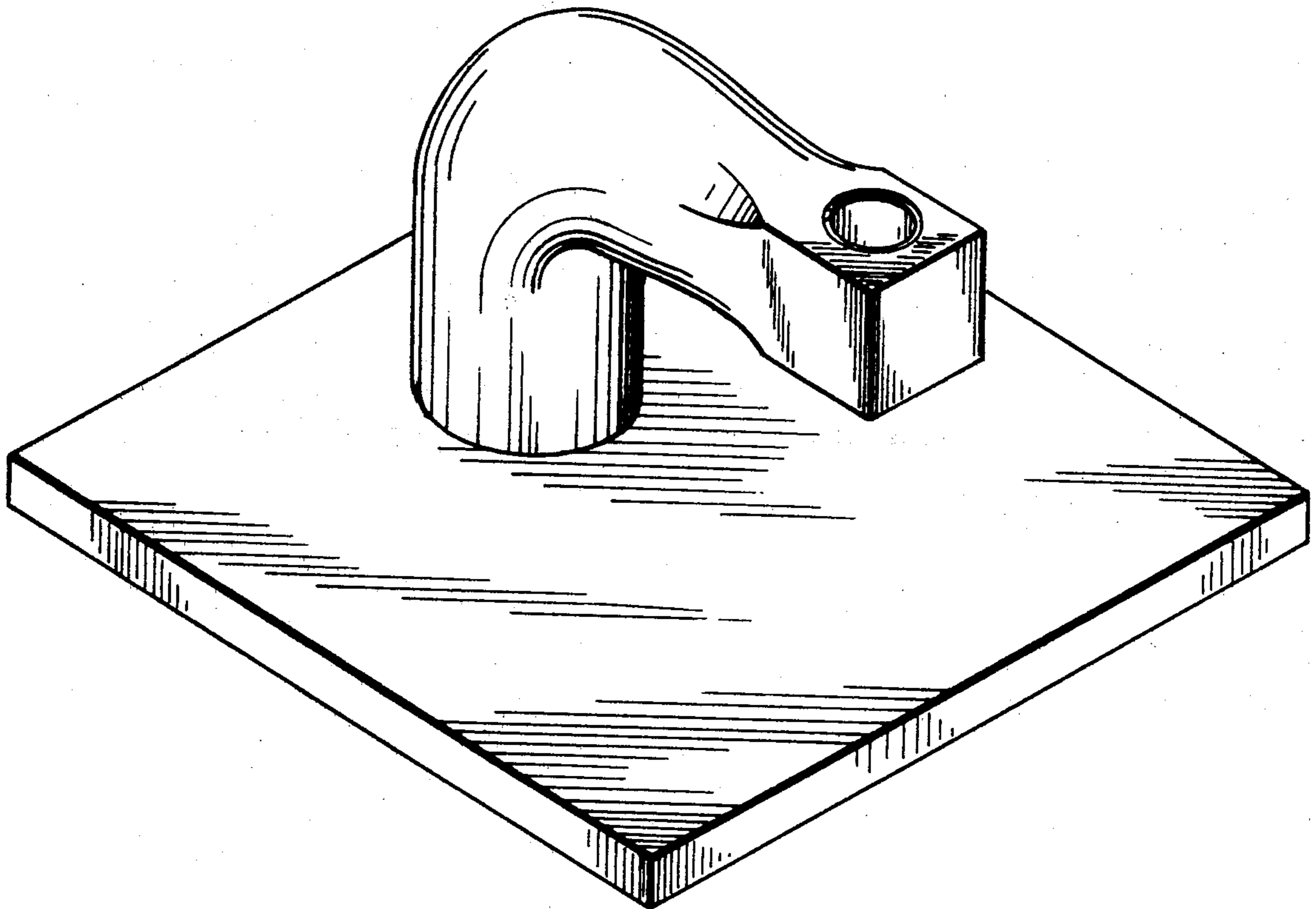


Fig. 1

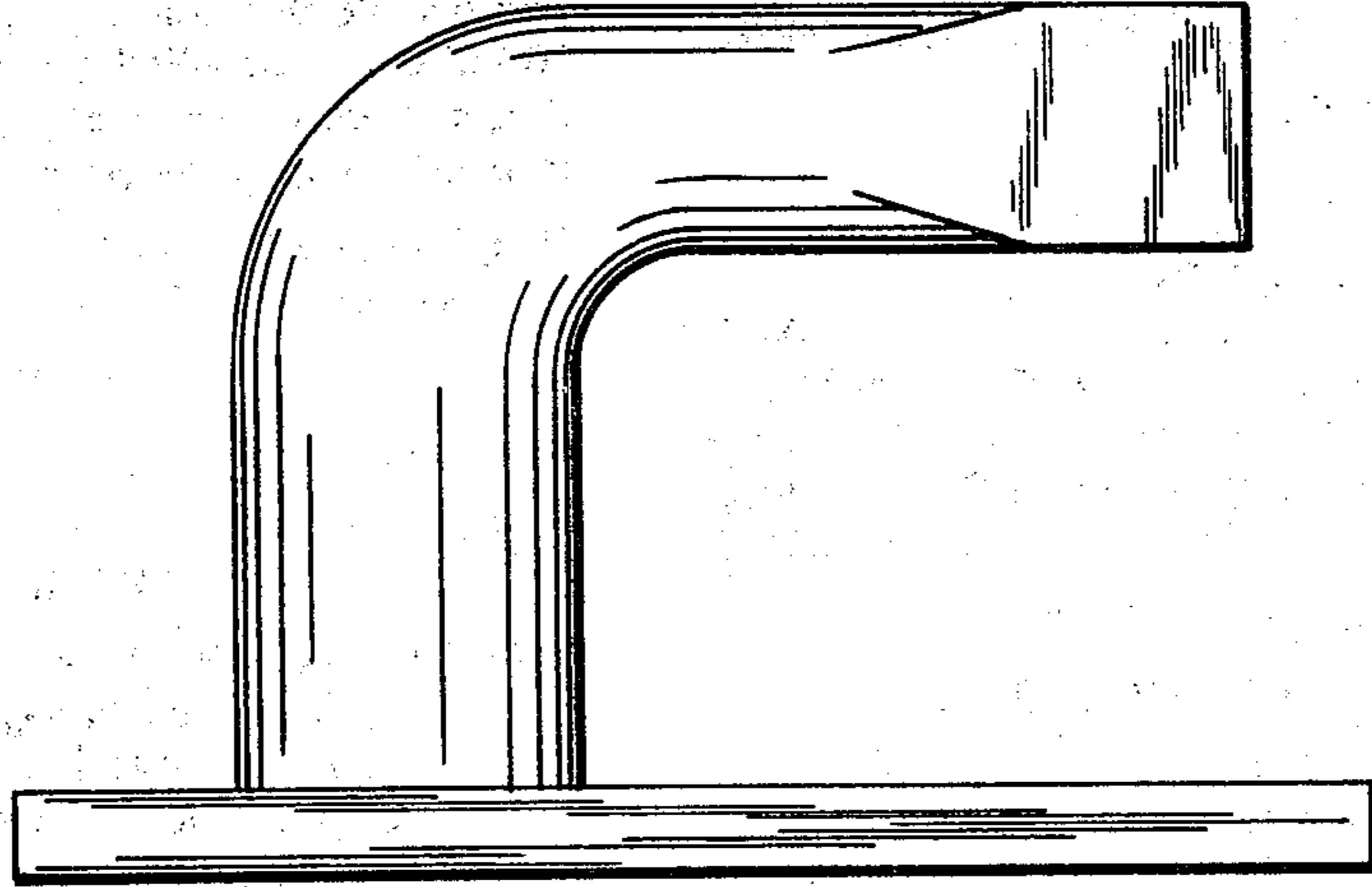


Fig. 2

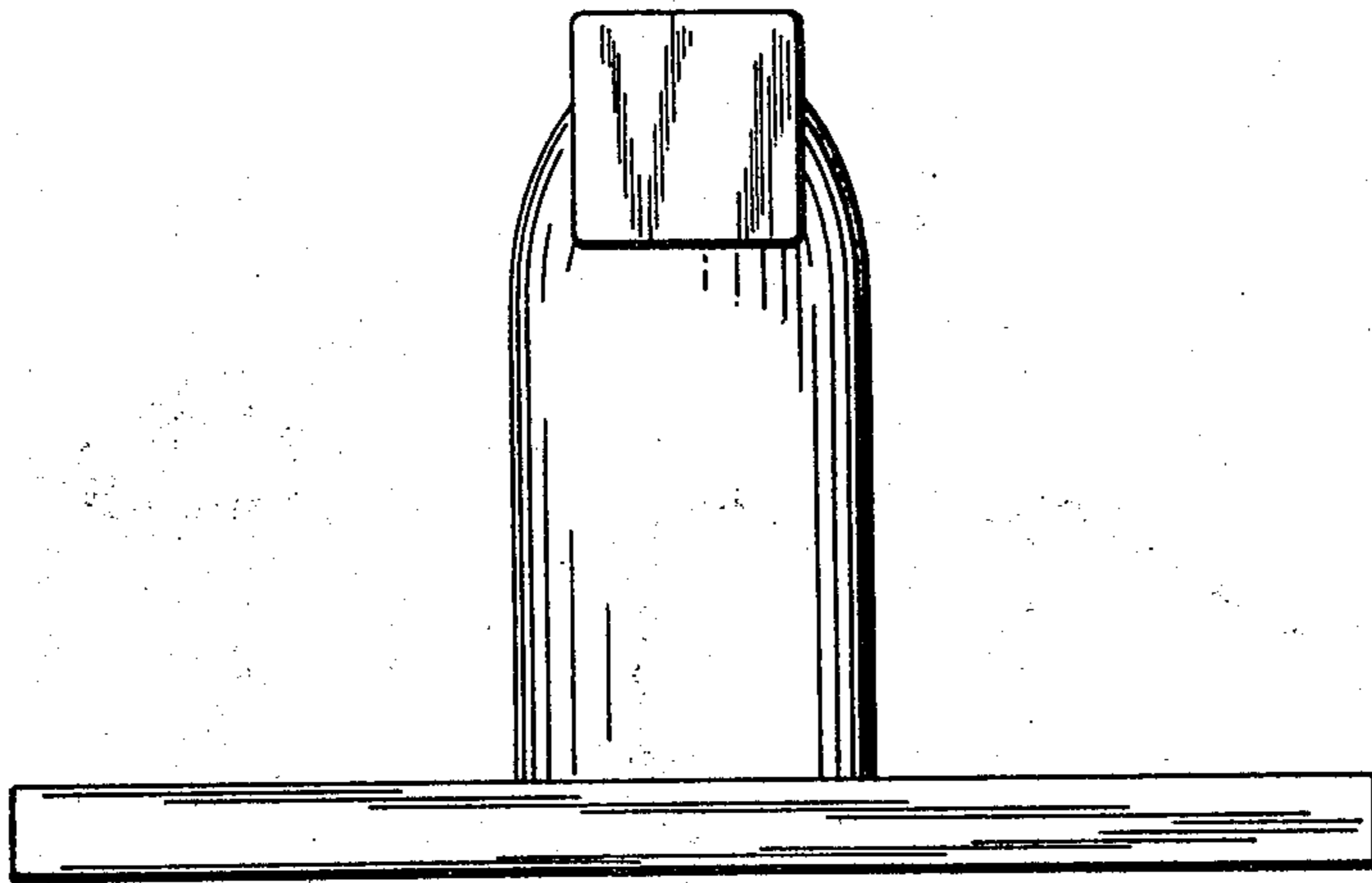


Fig. 3

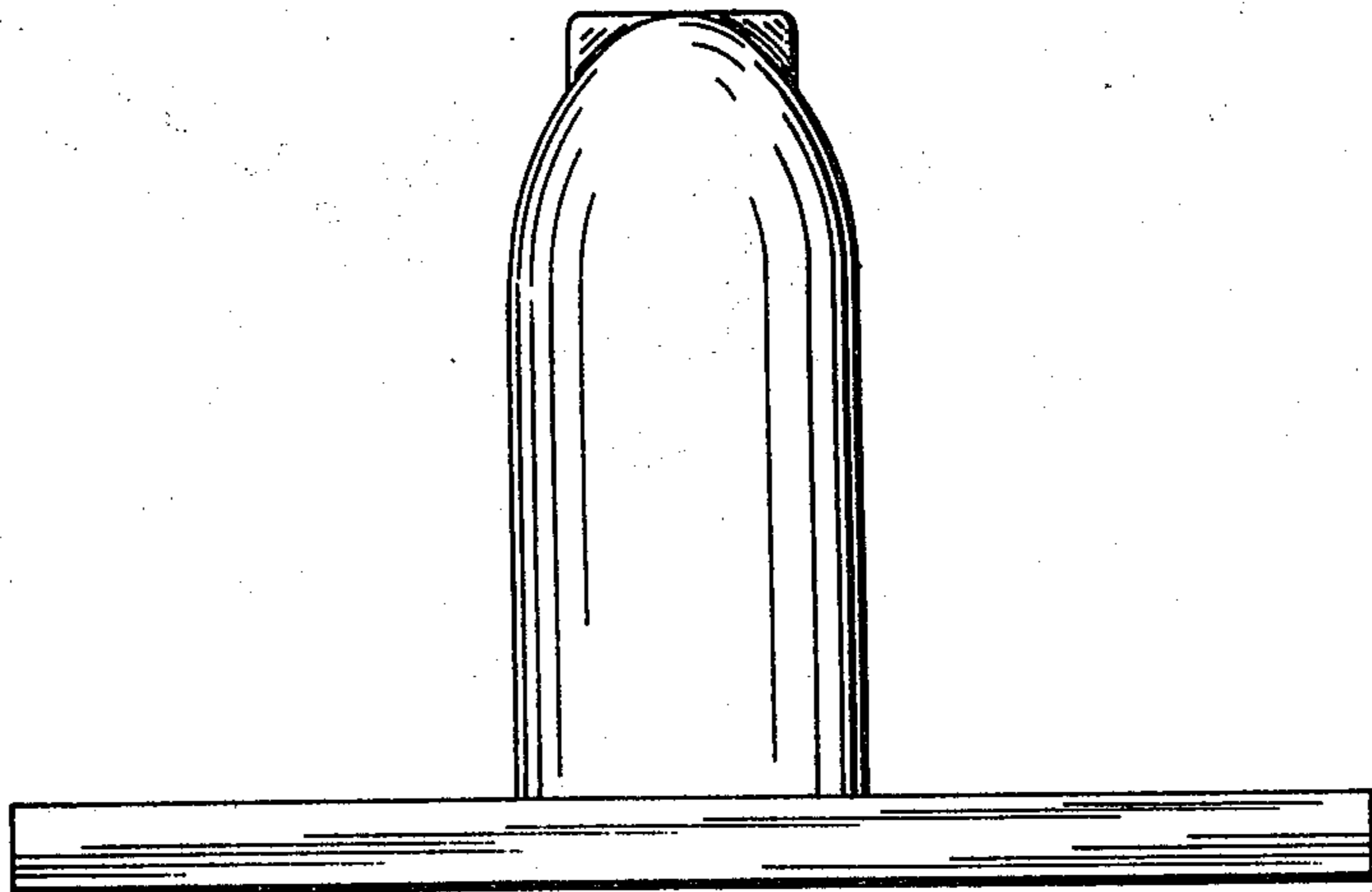


Fig. 4

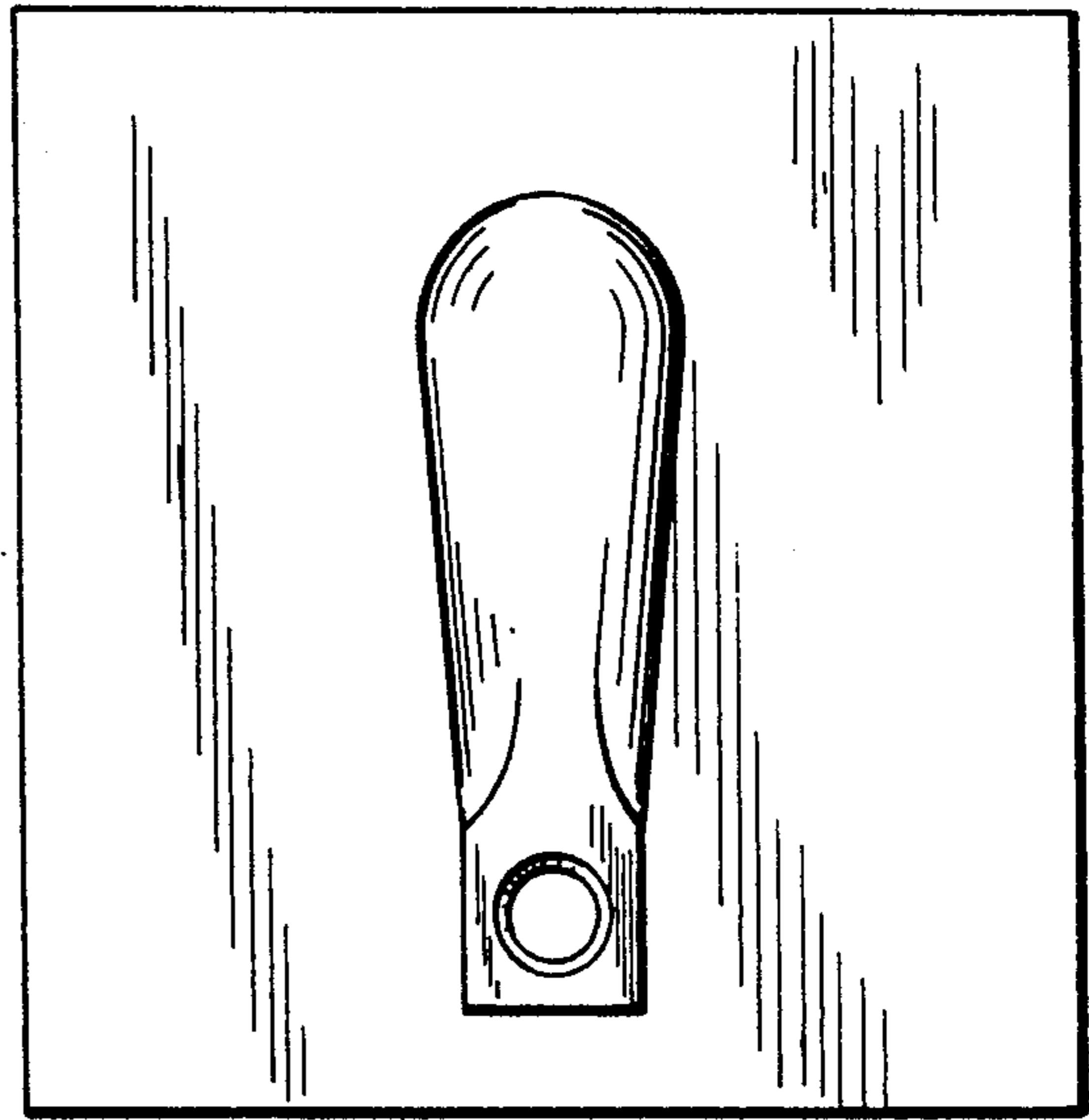


Fig. 5

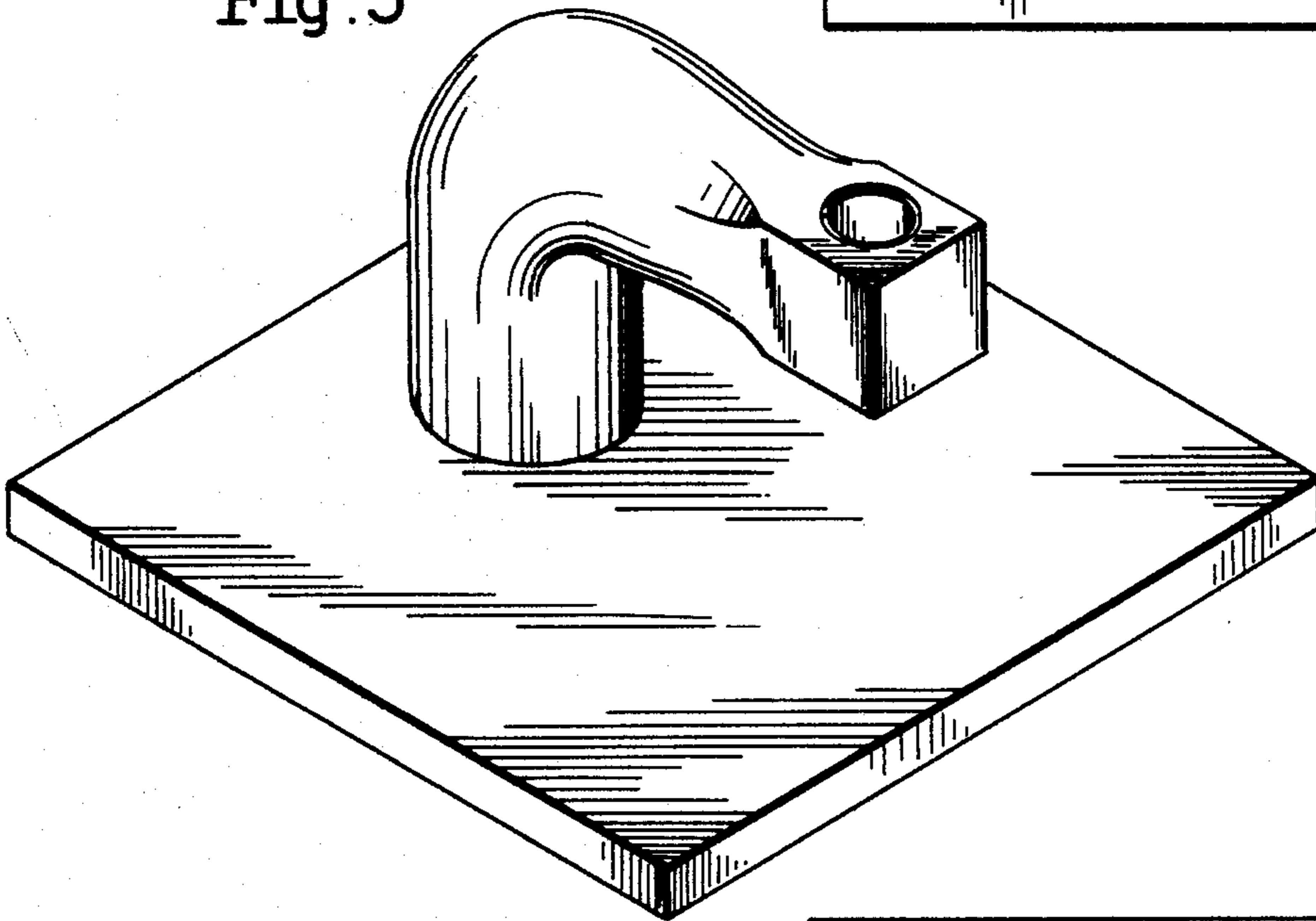


Fig. 6

