

[54] CODED KEY BLANK
 [75] Inventor: Bo Widén, Torshälla, Sweden
 [73] Assignee: GKN-Stenman AB, Eskilstuna, Sweden
 [**] Term: 14 Years
 [21] Appl. No.: 347,615
 [22] Filed: Feb. 10, 1982
 [30] Foreign Application Priority Data

Aug. 14, 1981 [SE] Sweden 81-1747
 [52] U.S. Cl. D8/347
 [58] Field of Search D8/347; 70/408, 409,
 70/404; D14/114; D13/99

[56] References Cited
 U.S. PATENT DOCUMENTS
 D. 223,432 4/1972 Eisenreich D8/347
 D. 246,761 12/1977 Kelley et al. D8/347
 D. 265,049 6/1982 Flies D8/347
 3,349,589 10/1967 Fricke 70/408
 3,738,136 6/1973 Falk 70/409
 3,786,659 1/1974 Elder et al. 70/408
 4,162,623 7/1979 Yorio et al. 70/409

4,305,267 12/1981 Nish 70/408
 4,320,638 3/1982 Dunphy et al. 70/409

FOREIGN PATENT DOCUMENTS

2149008 3/1973 France 70/408
 577686 5/1946 United Kingdom 70/408
 2039321 8/1980 United Kingdom 70/408

Primary Examiner—Catherine E. Kemper
 Assistant Examiner—Horace B. Fay
 Attorney, Agent, or Firm—Sughrue, Mion, Zinn,
 Macpeak and Seas

[57] CLAIM
 The ornamental design for a coded key blank, as shown
 and described.

DESCRIPTION
 FIG. I is a perspective view of a coded key blank in an
 upright position showing my new design;
 FIG. II is a perspective view of the other side of the
 blank in lying position;
 FIG. III is an elevational view of the side shown in
 FIG. 1;
 FIG. IV is a front view of the blank shown in FIG. 1;
 and
 FIG. V is a top plan view of the blank shown in FIG. I.

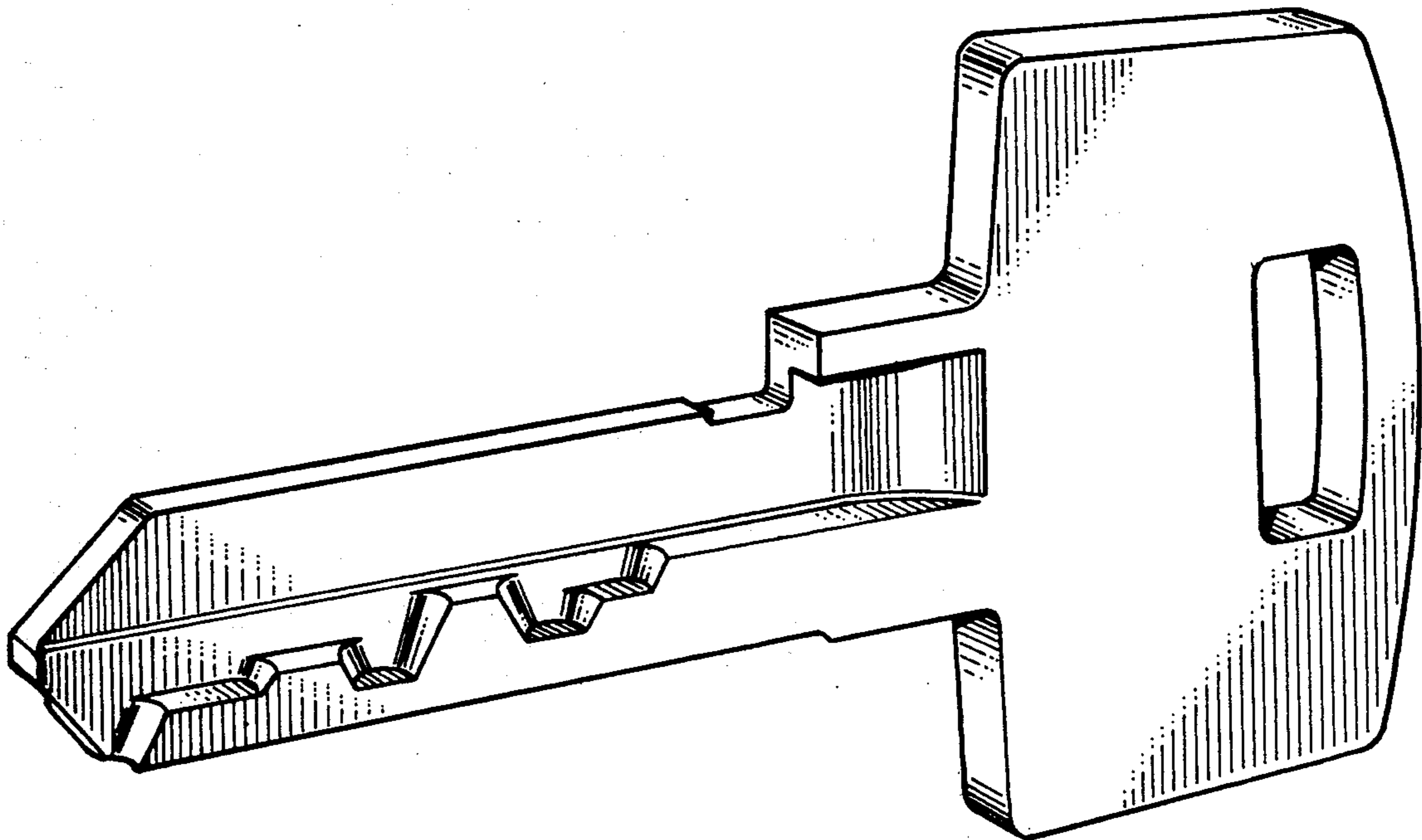


Fig. I

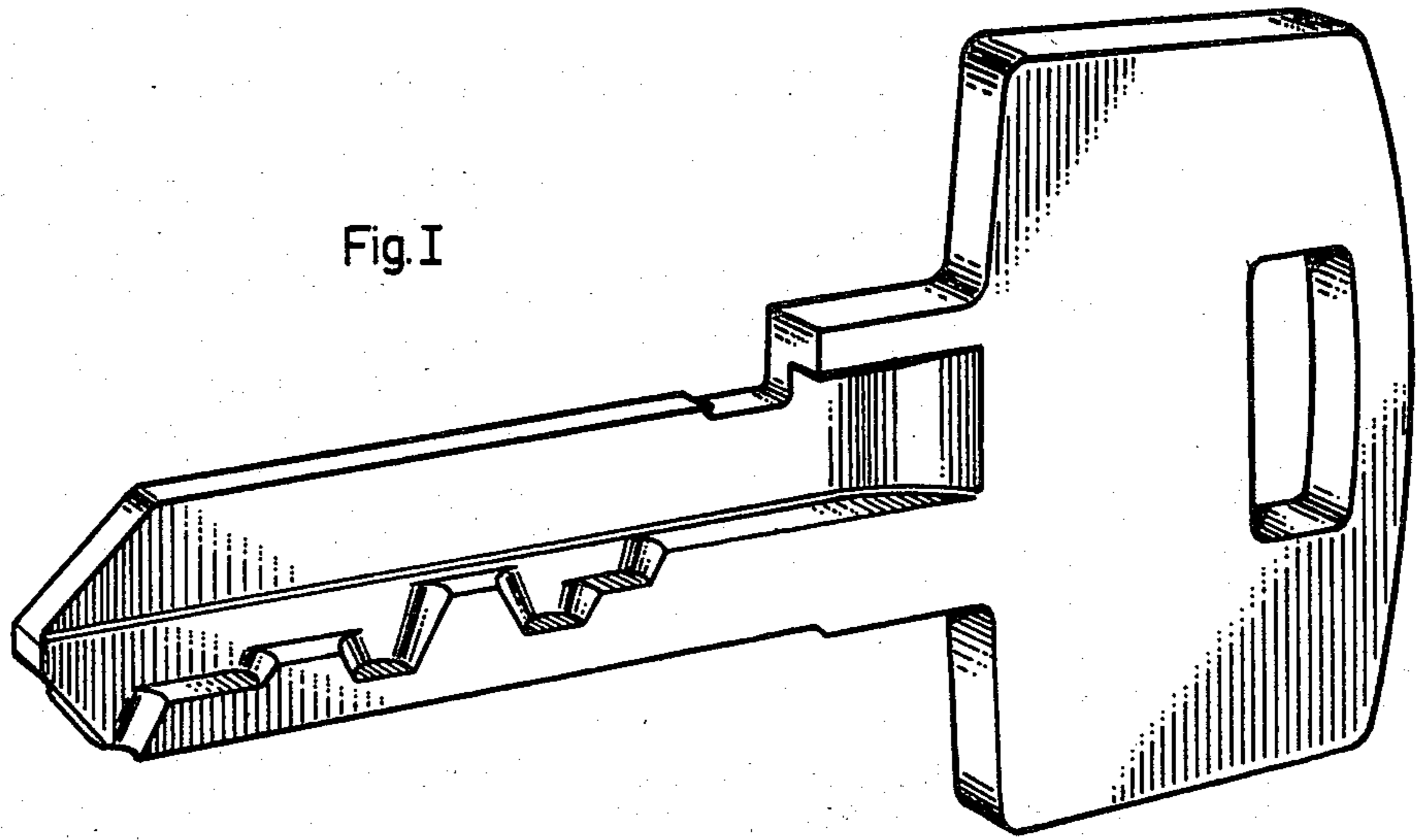


Fig. II

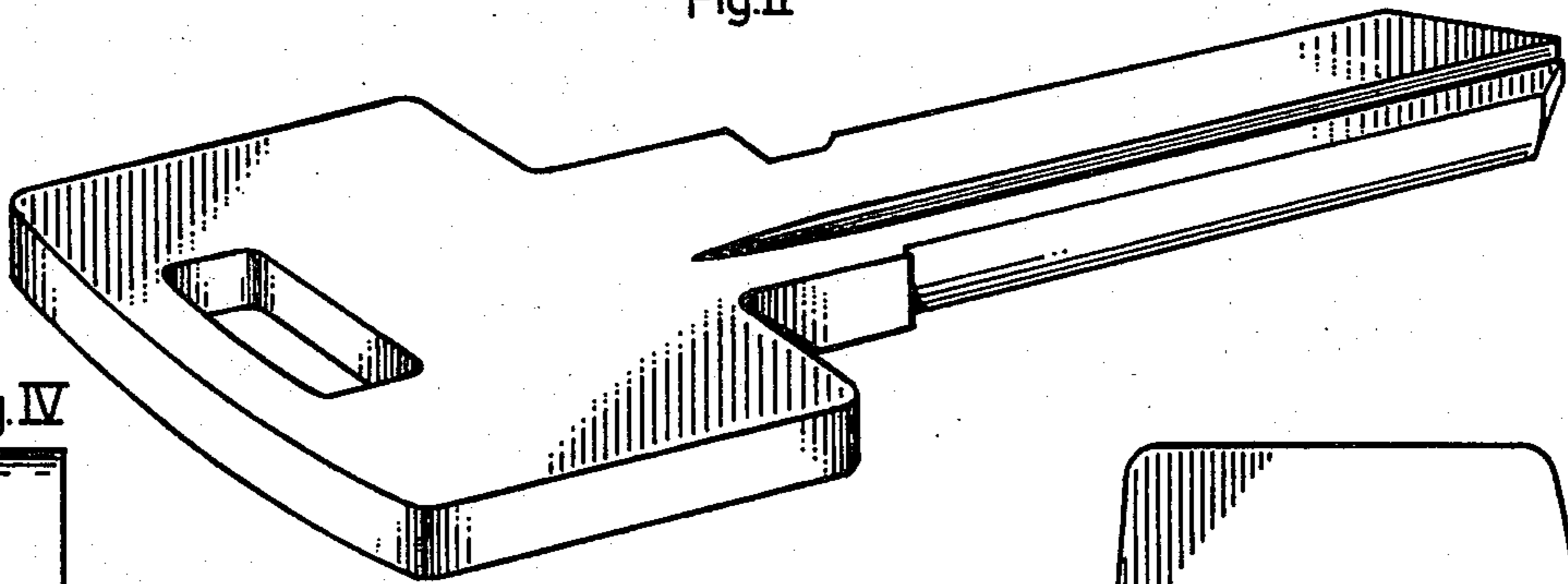


Fig. IV



Fig. III

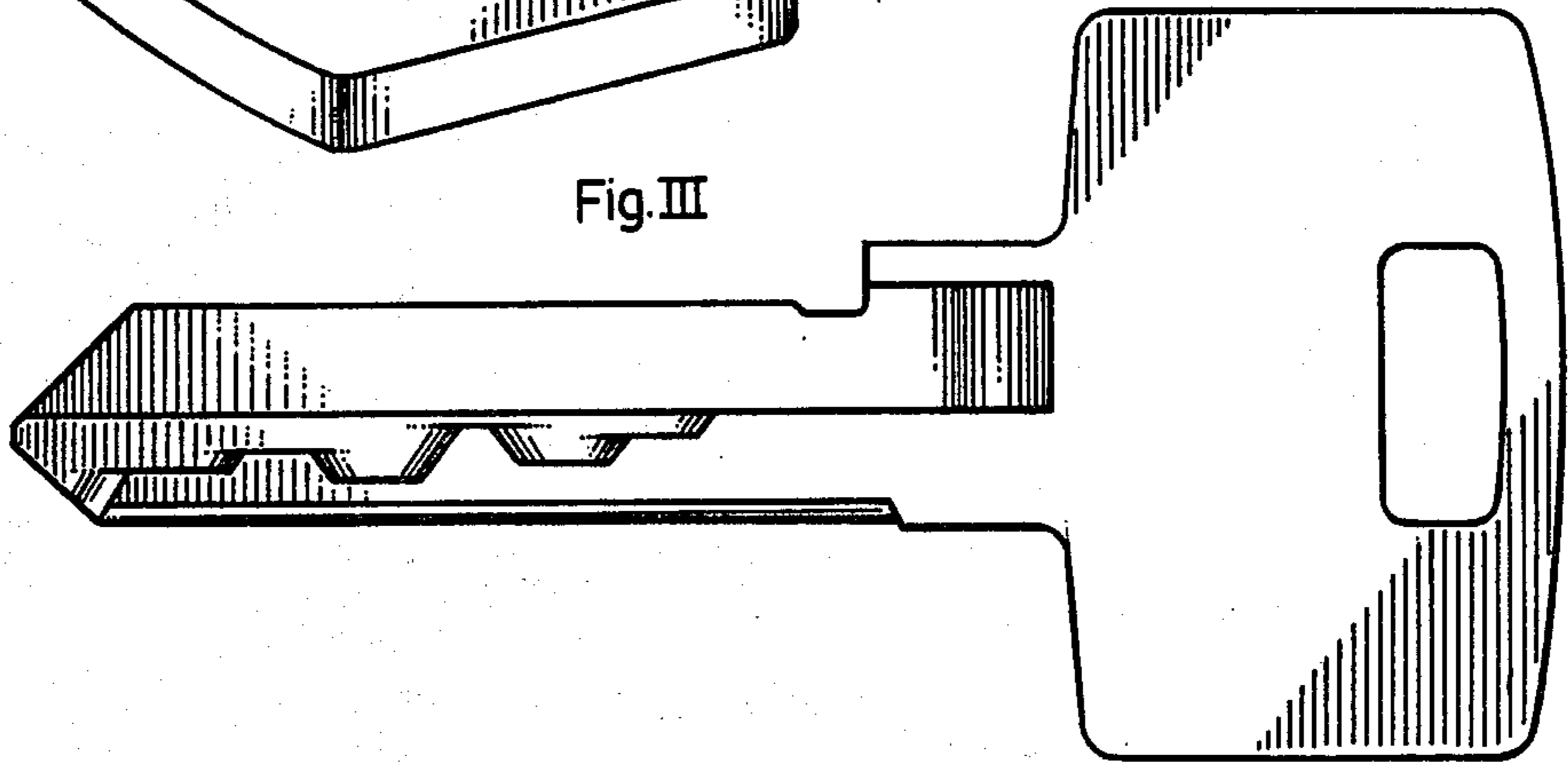


Fig. V

