

[54] COVERED CHEESE PLATTER

[75] Inventor: Ambrogio Pozzi, Gallarate, Italy

[73] Assignee: F.LLI Guzzini S.p.A., Recanati, Italy

[**] Term: 14 Years

[21] Appl. No.: 248,890

[22] Filed: Mar. 30, 1981

[30] Foreign Application Priority Data

Sep. 29, 1980 [IT] Italy 22951/80[U]

[52] U.S. Cl. D7/18; D7/83

[58] Field of Search D7/76, 79, 83, 84, 17, D7/16, 70, 403, 391, 1, 19, 21, 20, 3, 4, 37, 38

[56] References Cited

U.S. PATENT DOCUMENTS

D. 106,232	9/1937	Gerth	D7/21
D. 120,991	6/1940	Koch	D7/354 X
D. 167,206	7/1952	Gruen	D7/37
D. 219,673	1/1971	Daenen	D7/76

OTHER PUBLICATIONS

Hardware Age, Sep. 24, 1959, p. 69, Square Seamless Kake-Saver #9915—"Everedy", top left.

Primary Examiner—Winifred E. Herrmann
Attorney, Agent, or Firm—Cushman, Darby & Cushman

[57] CLAIM

The ornamental design for a covered cheese platter, as shown.

DESCRIPTION

FIG. 1 is a front or rear elevational view of a covered cheese platter showing my new design;
 FIG. 2 is a left or right side elevational view thereof;
 FIG. 3 is a top plan view thereof;
 FIG. 4 is a bottom plan view thereof;
 FIG. 5 is a sectional view taken on the line 5—5 of FIG. 3;
 FIG. 6 is a sectional view taken on the line 6—6 of FIG. 3; and
 FIG. 7 is an exploded elevational view, similar to FIG. 2.

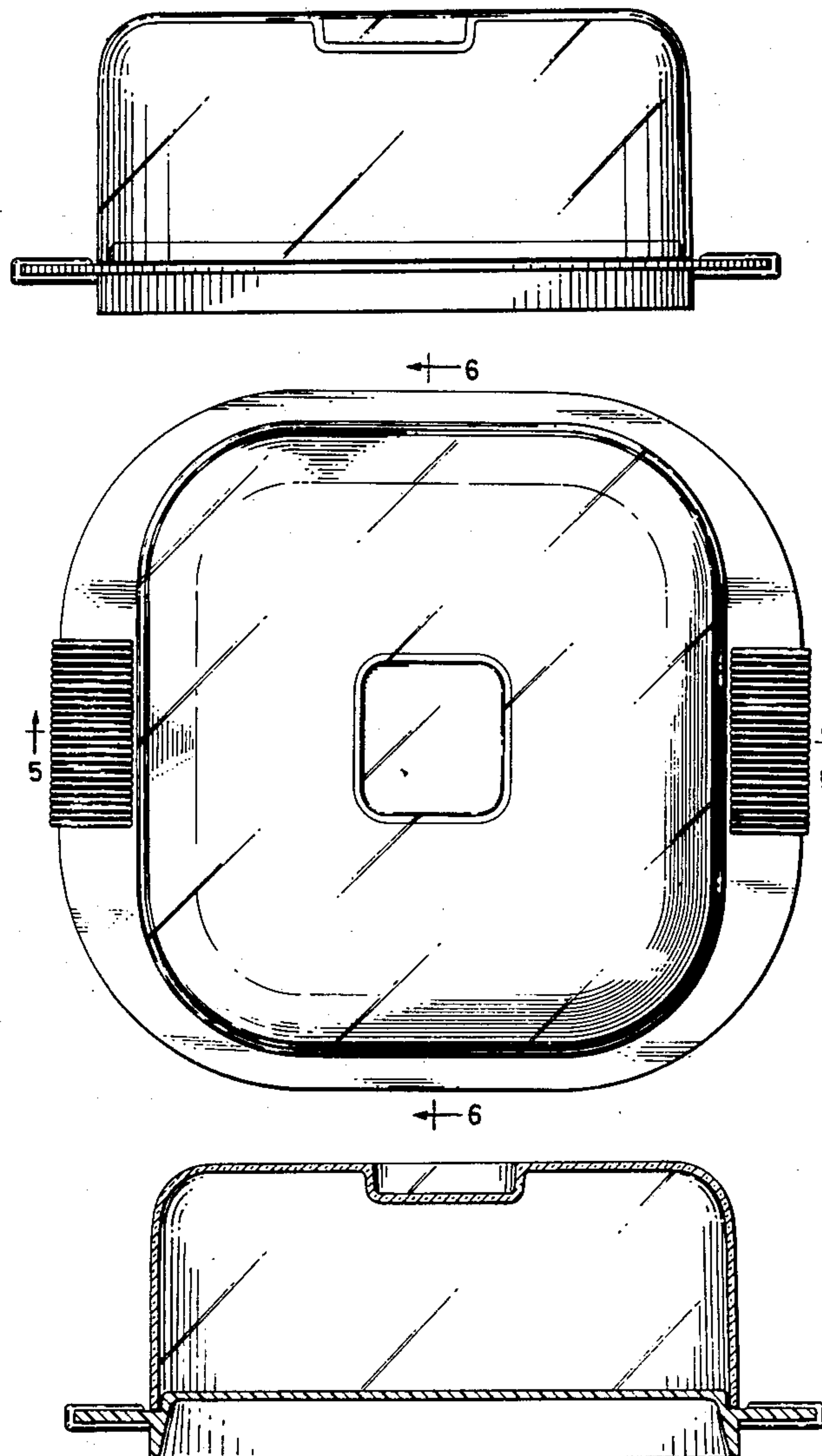


Fig.1

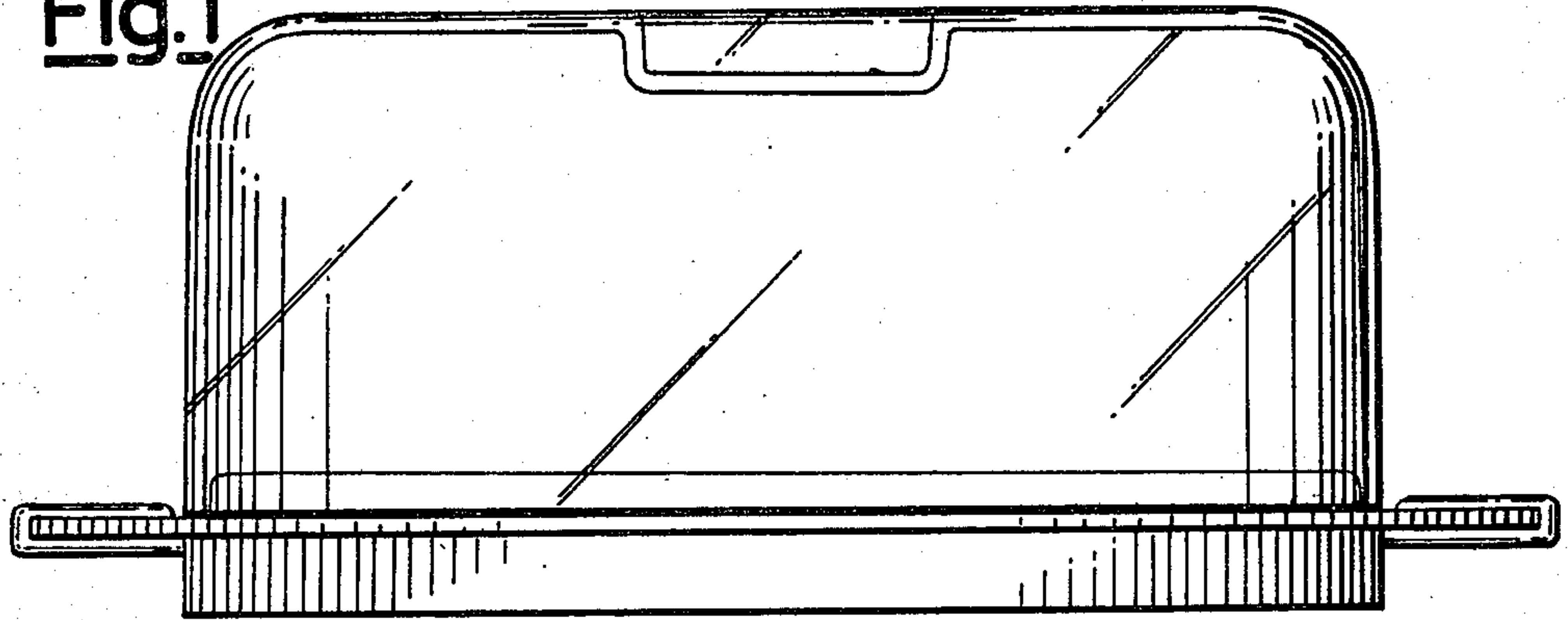


Fig.2

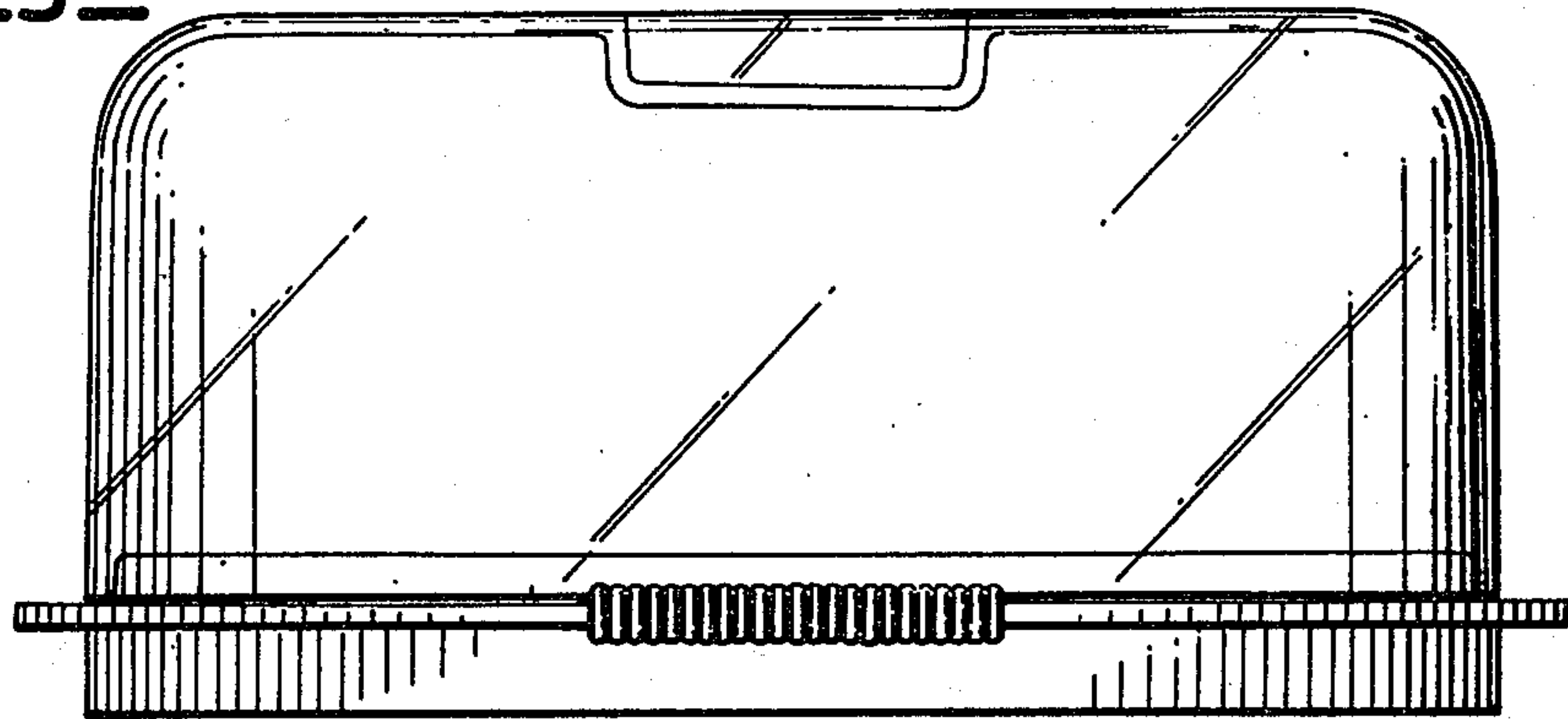


Fig.7

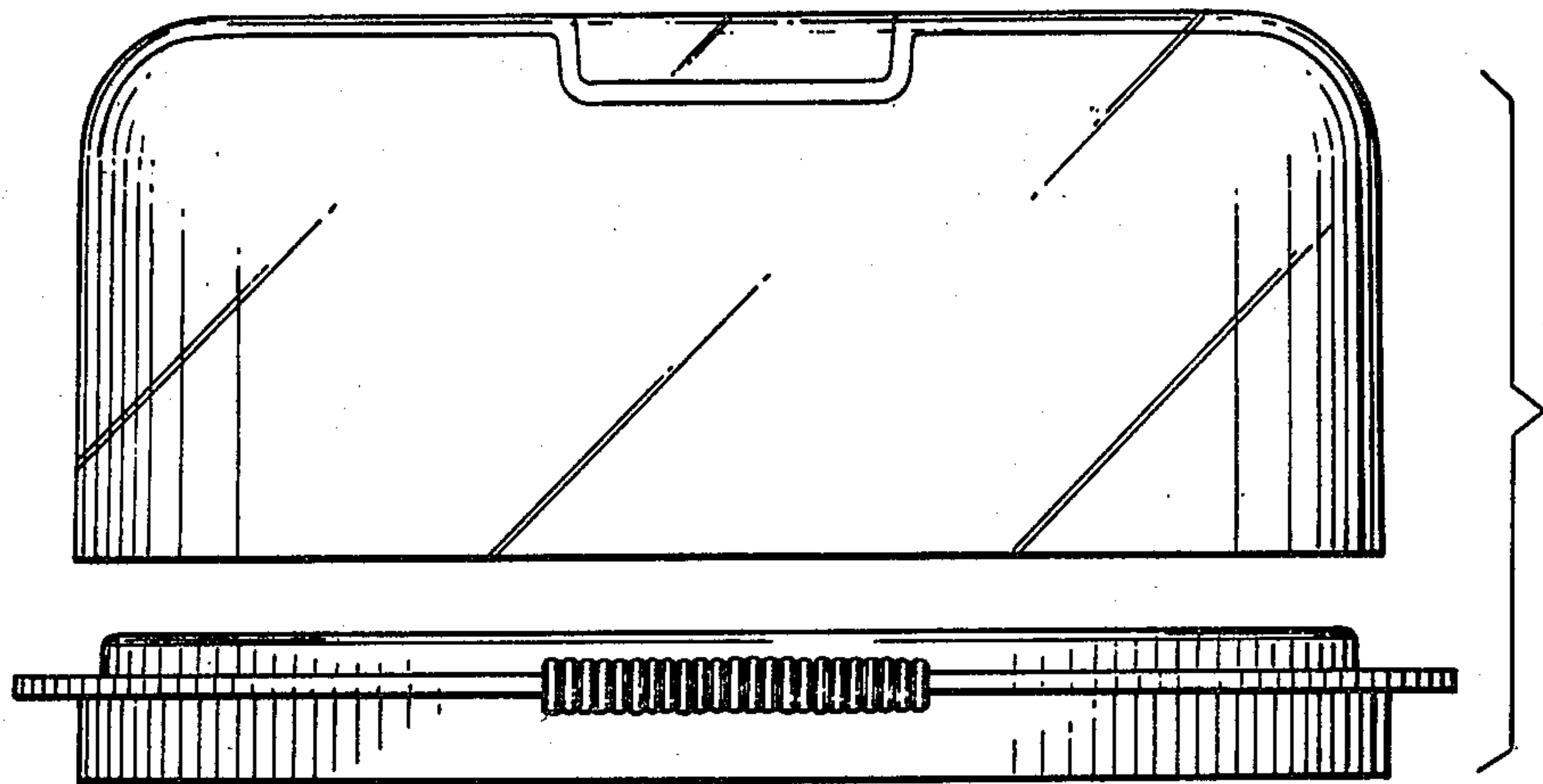


Fig.3

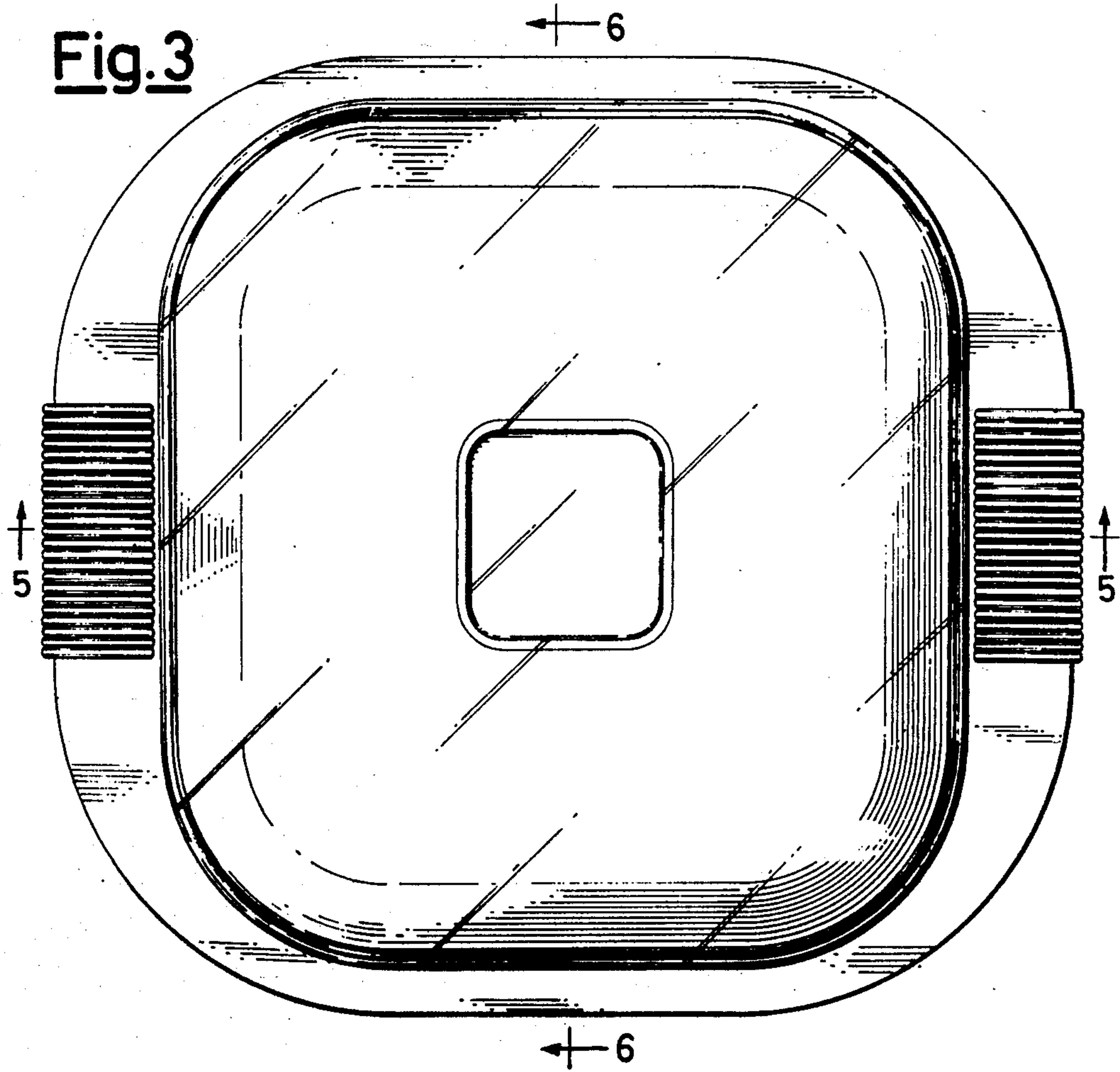


Fig.5

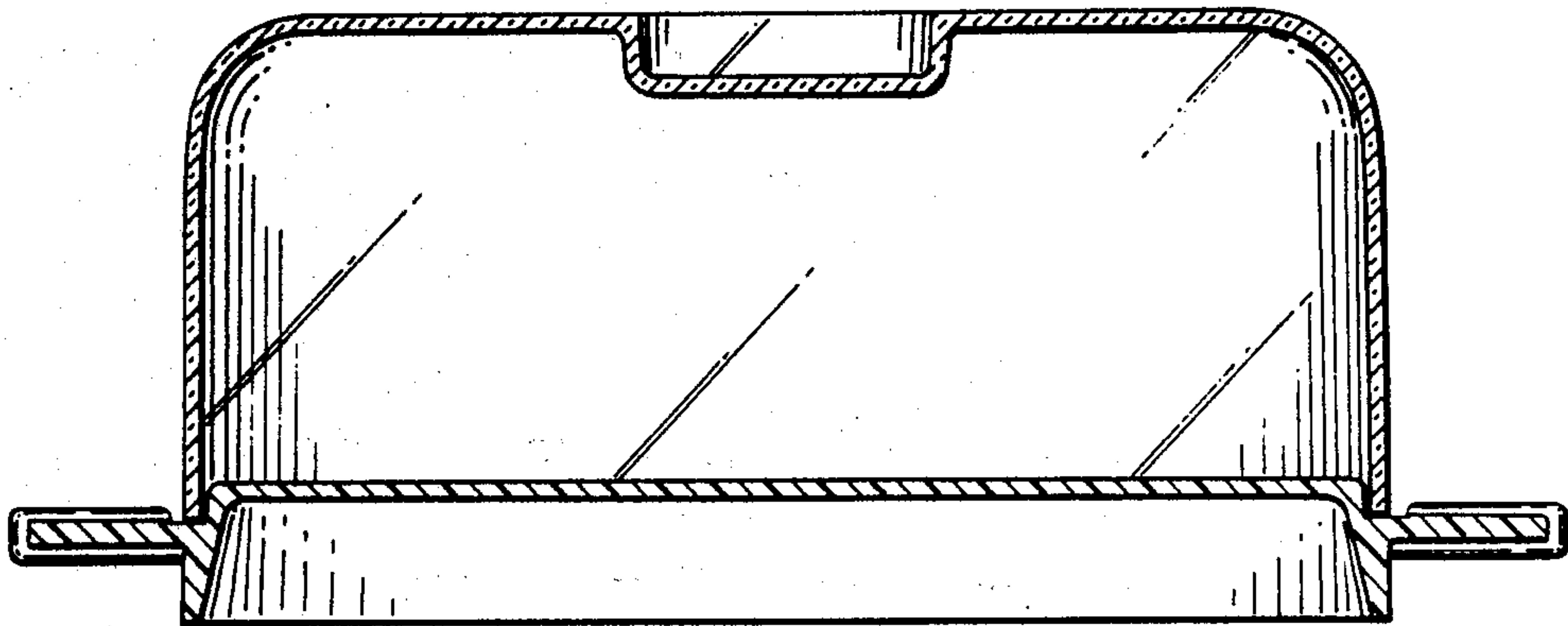


Fig.4

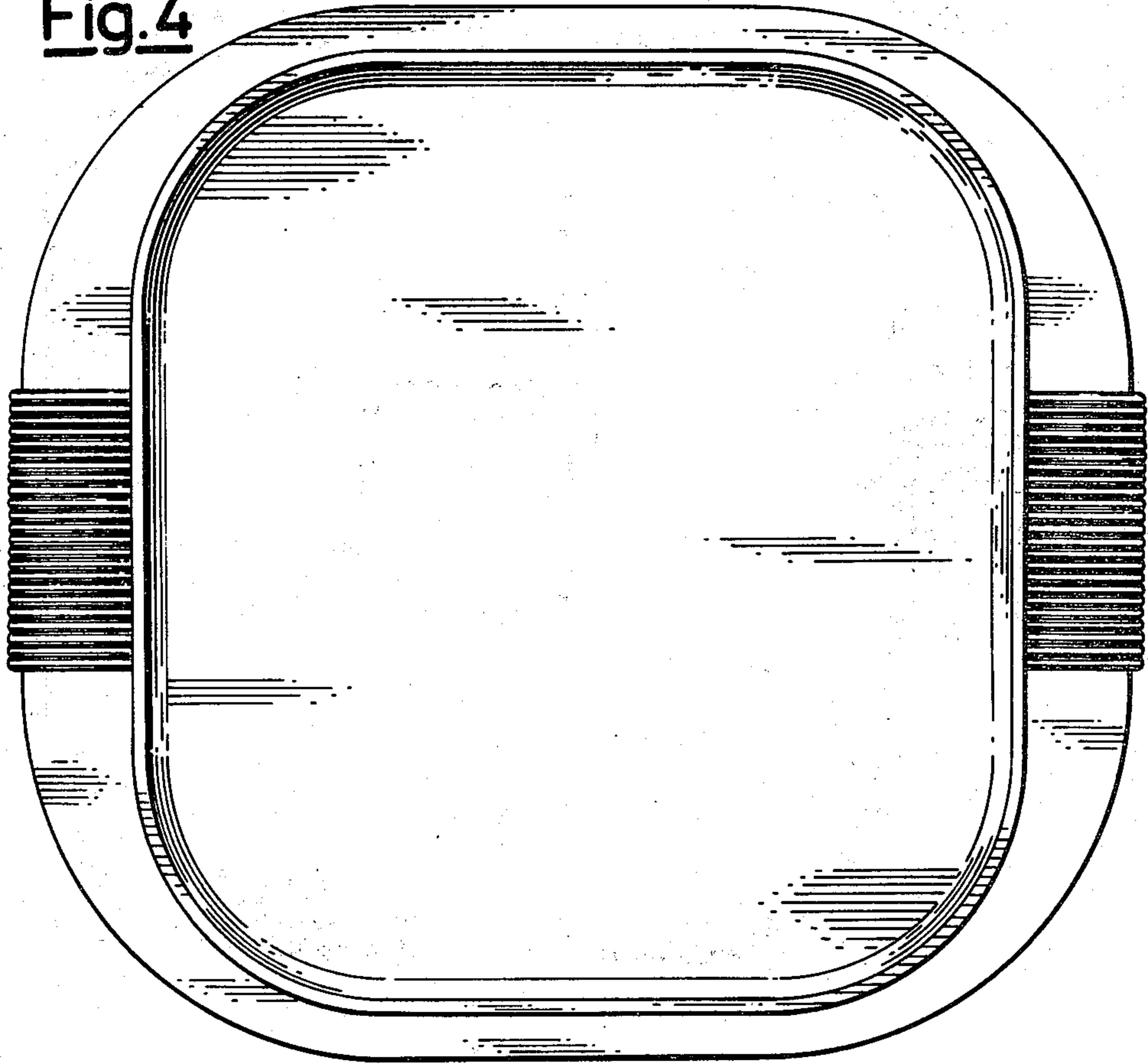


Fig.6

