

[54] PIVOTAL BELT BUCKLE

[75] Inventor: Georges Goepfer, Asnieres, France

[73] Assignee: Etablissements Goepfer, France

[\*\*] Term: 14 Years

[21] Appl. No.: 326,191

[22] Filed: Dec. 1, 1981

[30] Foreign Application Priority Data

Jun. 3, 1981 [FR] France ..... 81 2023

[52] U.S. Cl. .... D2/414

[58] Field of Search ..... D2/405, 414, 431, 452, D2/415, 408; 24/11 P, 10 R, 201 LP, 201 R

[56] References Cited

U.S. PATENT DOCUMENTS

313,762 3/1885 Pattee ..... 24/10 R  
1,836,958 12/1931 Dalton ..... D2/415 X

2,956,324 10/1960 Klein ..... D2/408 X  
3,979,801 9/1976 Tareau ..... 24/201 R  
4,000,544 1/1977 Fildan ..... 24/201 R  
4,054,972 10/1977 Rowell ..... 24/201 R X

Primary Examiner—Charles A. Rademaker

Assistant Examiner—Carmen H. Vales

Attorney, Agent, or Firm—Schiller & Pandiscio

[57] CLAIM

The ornamental design for a pivotal belt buckle, as shown.

DESCRIPTION

FIG. 1 is a front elevational view of a pivotal belt buckle showing my new design;  
FIG. 2 is a bottom plan view thereof;  
FIG. 3 is a rear perspective view thereof;  
FIG. 4 is an exploded rear perspective view thereof;  
FIG. 5 is a rear elevational view thereof; and  
FIG. 6 is a left side elevational view thereof.

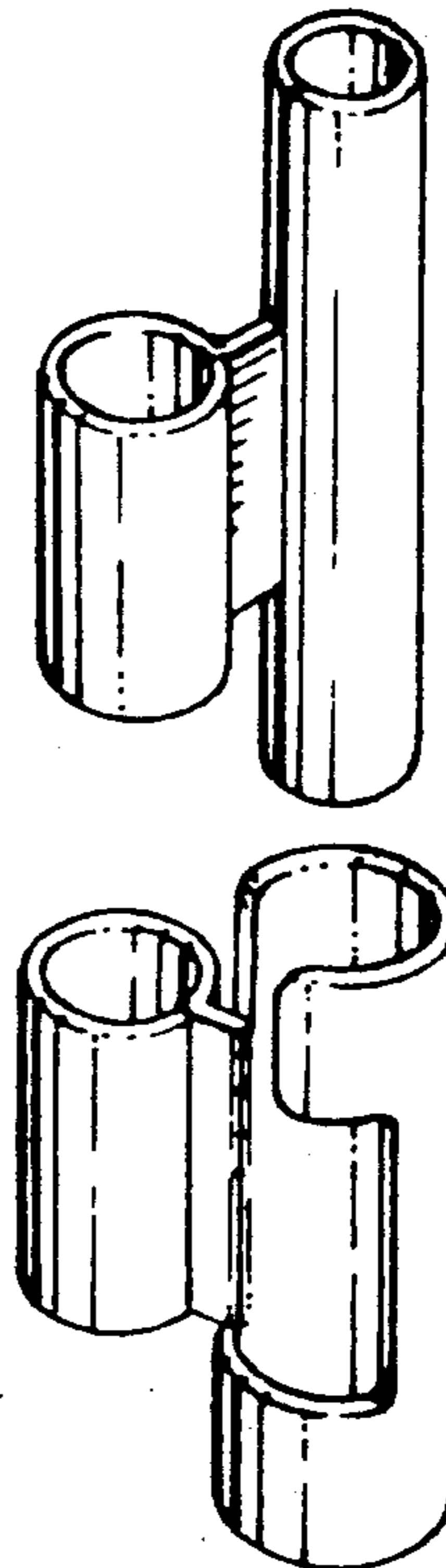
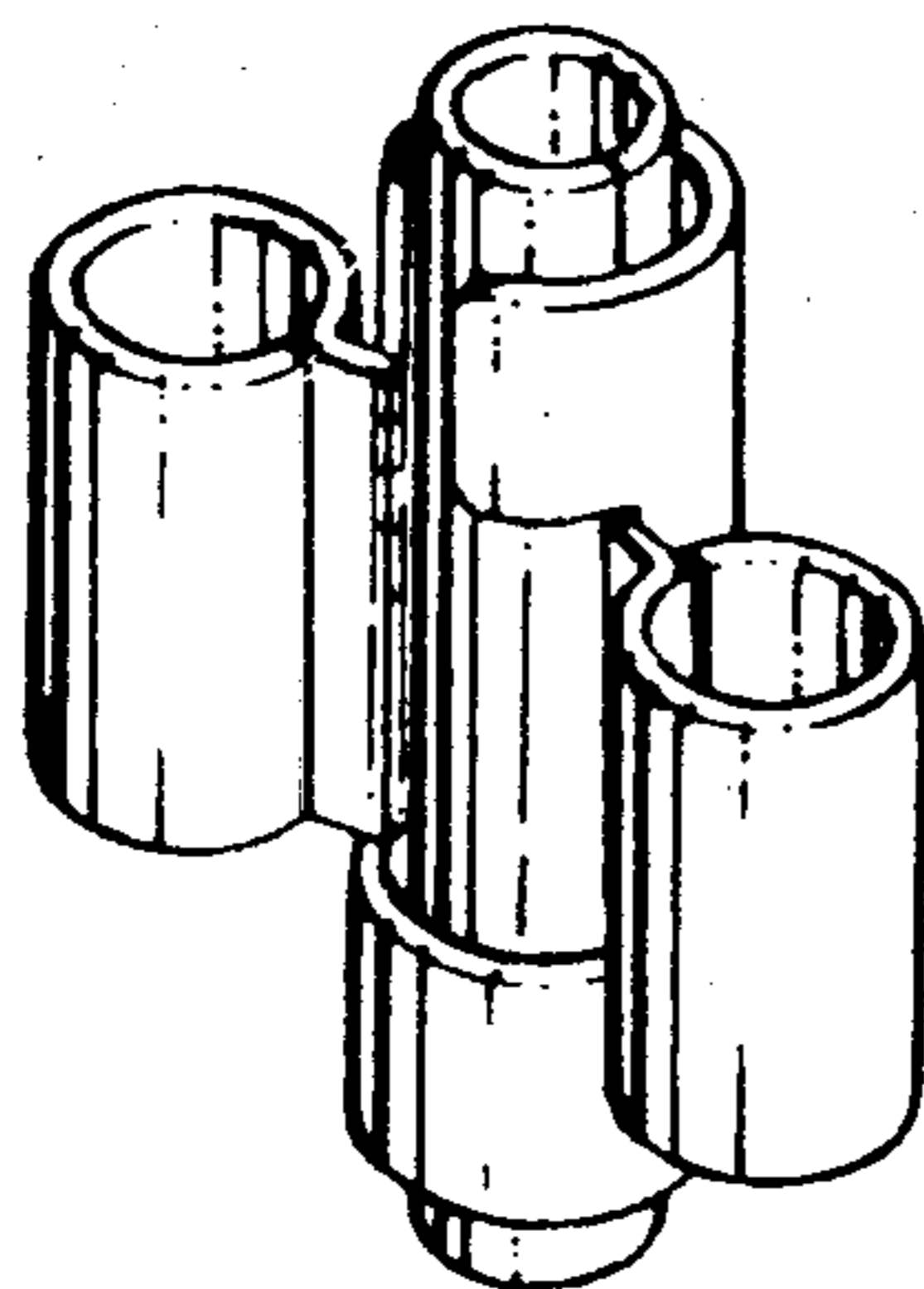


FIG. 1

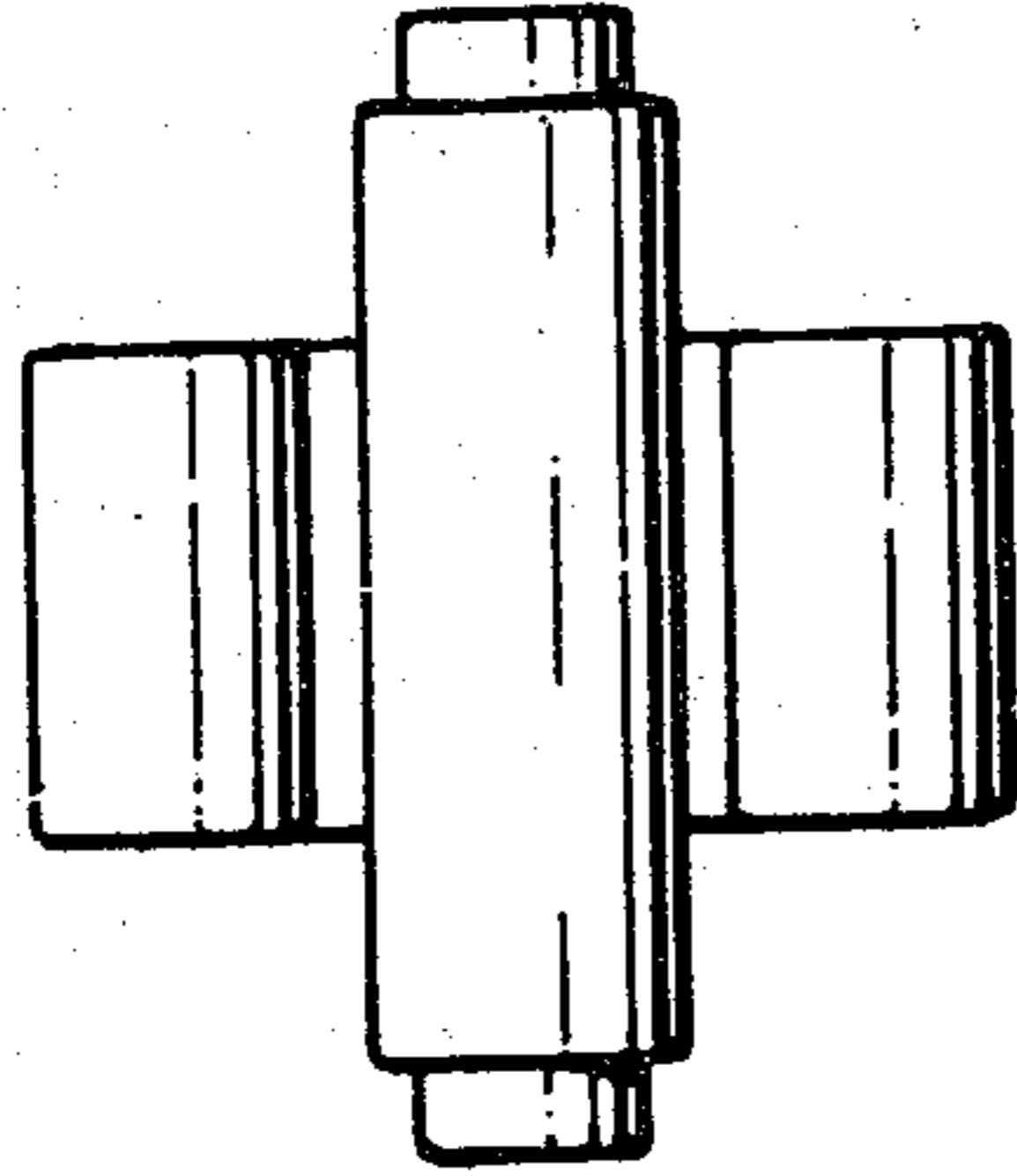


FIG. 2

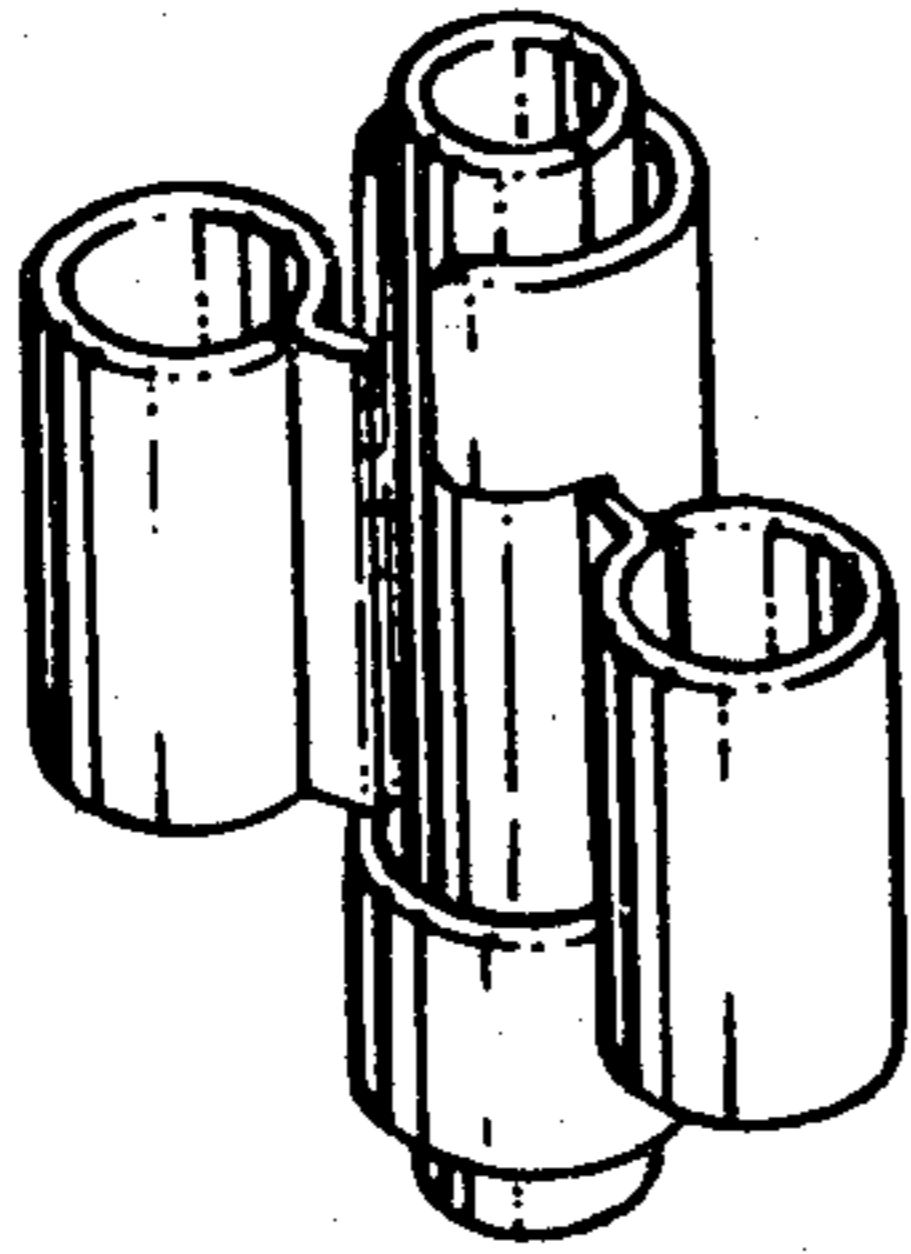
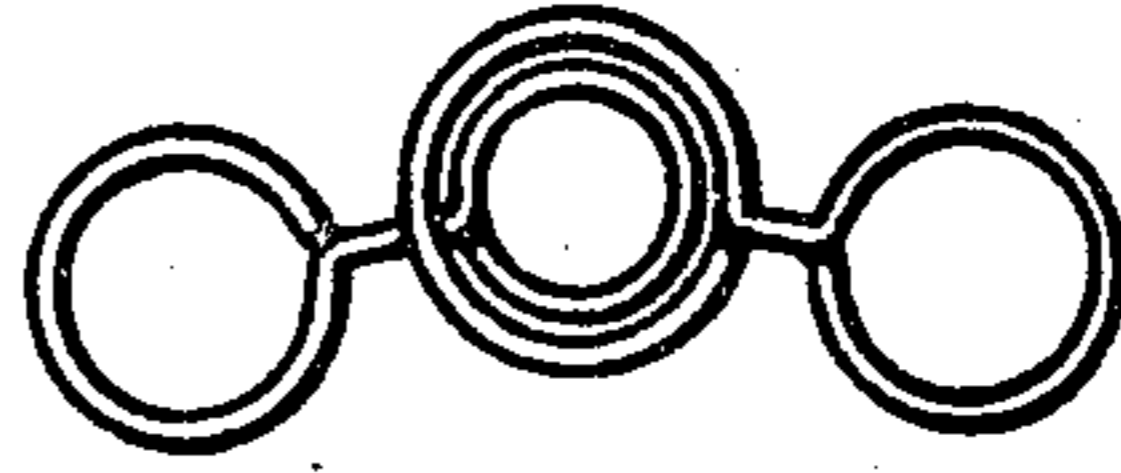


FIG. 3

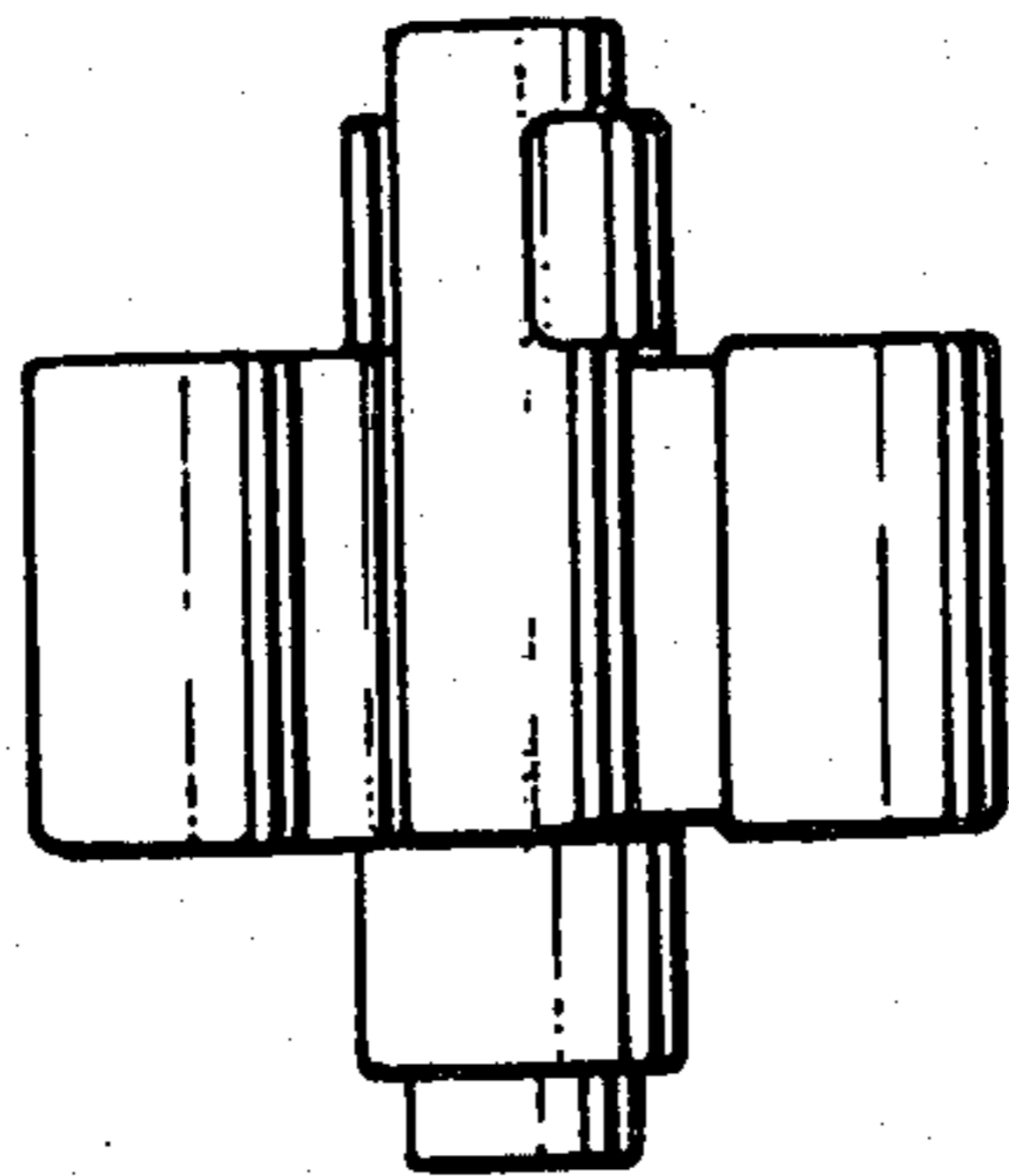
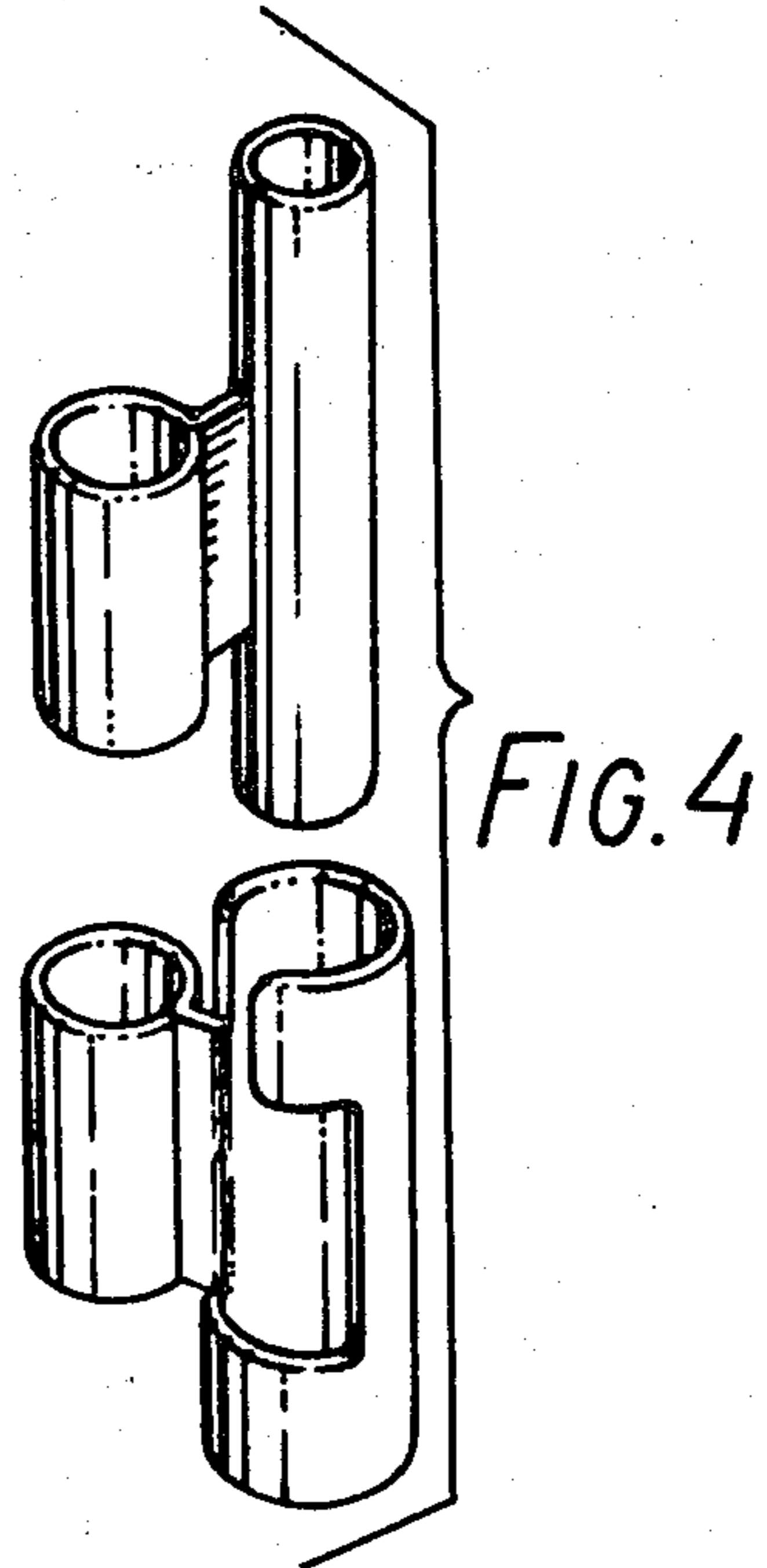


FIG. 5

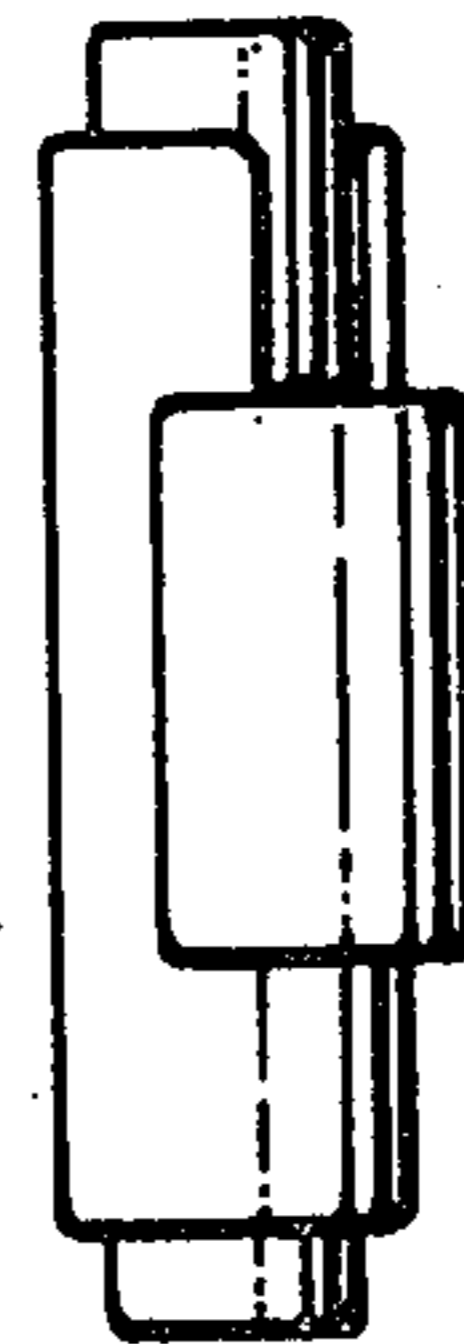


FIG. 6