

[54] SWIVEL BELT BUCKLE
 [76] Inventor: Raymond Kuntz, 650 Warwick Tpke., Hewitt, N.J. 07421
 [**] Term: 14 Years
 [21] Appl. No.: 249,091
 [22] Filed: Jul. 22, 1981
 [52] U.S. Cl. D2/405; D2/442
 [58] Field of Search D2/405, 426, 427, 442, D2/431; 24/170, 168, 178, 180, 163 KO, 163 R, 188, 189

1,263,605 4/1918 Rust 24/180

OTHER PUBLICATIONS

Tandy Leather Co. Spring/Summer 1972, p. 36; Buckle item "S".

Primary Examiner—Joel Stearman
Assistant Examiner—Carmen H. Vales

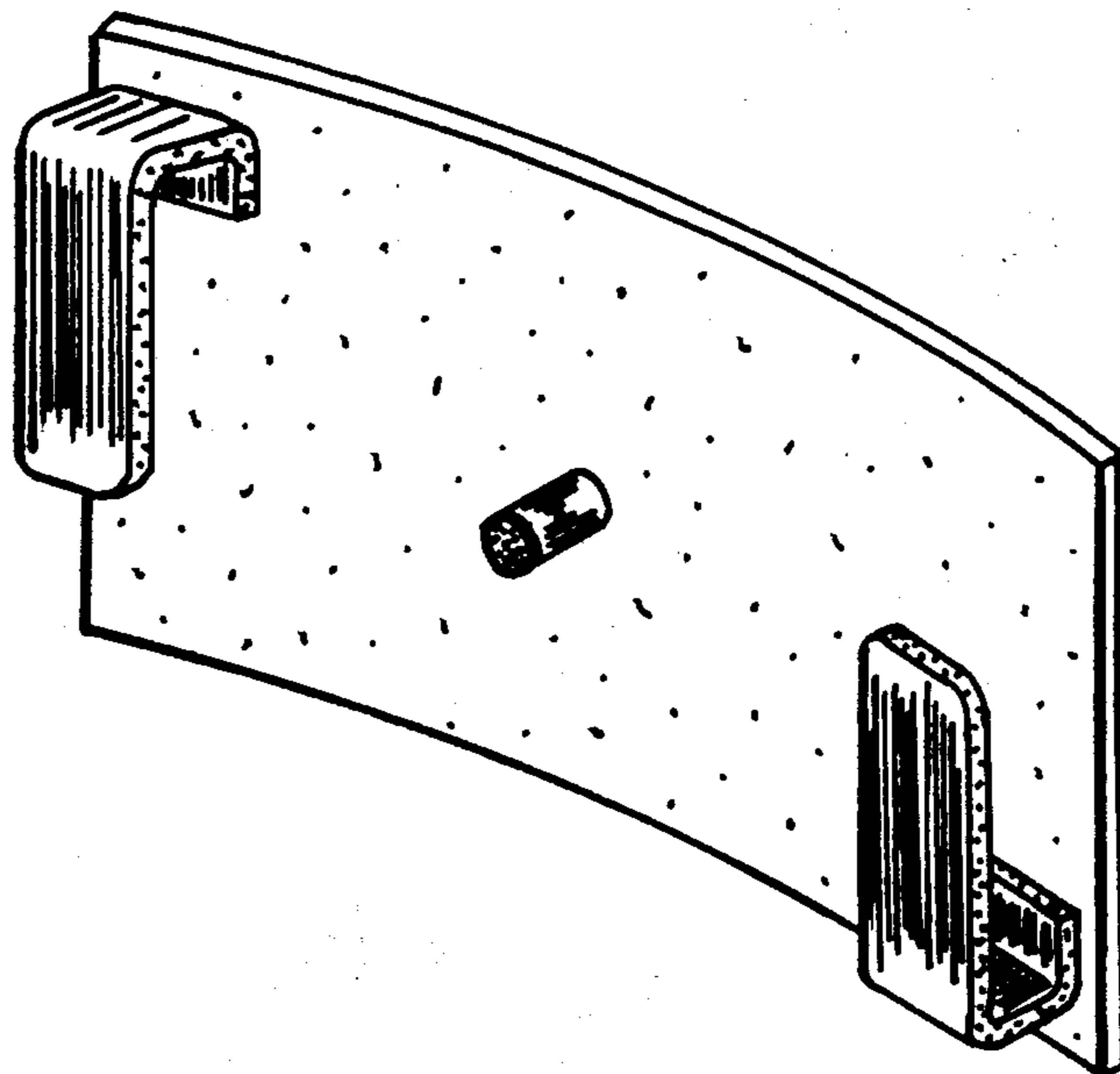
[57] CLAIM

The ornamental design for a swivel belt buckle, substantially as shown and described.

DESCRIPTION

FIG. 1 is a rear perspective view of a swivel belt buckle showing my new design; FIG. 2 is a front perspective view thereof; and FIG. 3 is a top plan view thereof.

[56] References Cited
 U.S. PATENT DOCUMENTS
 D. 251,339 3/1979 Tucak D22/13 X
 1,134,686 4/1915 Line 24/163 KO



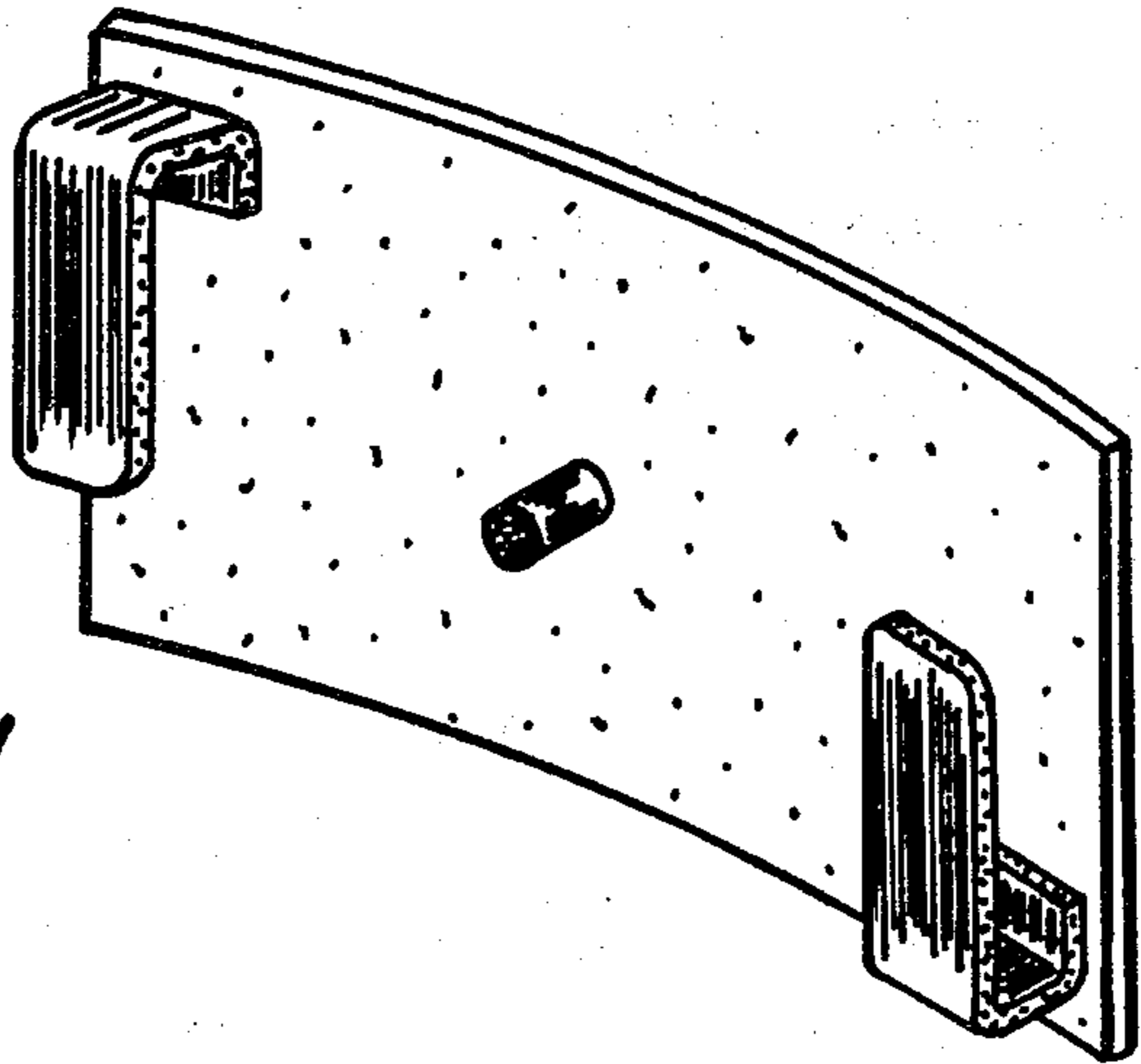


FIG. 1

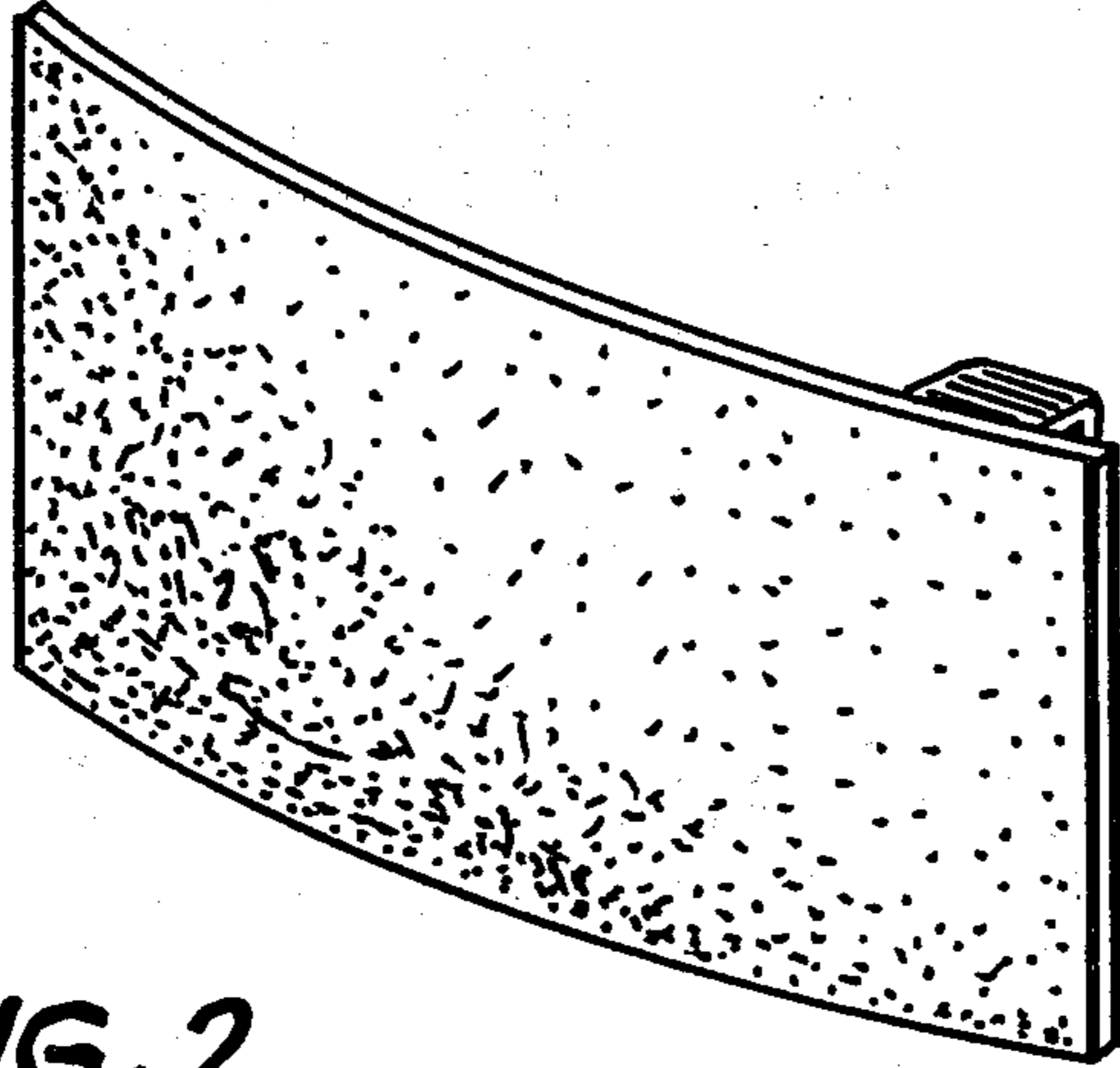


FIG. 2

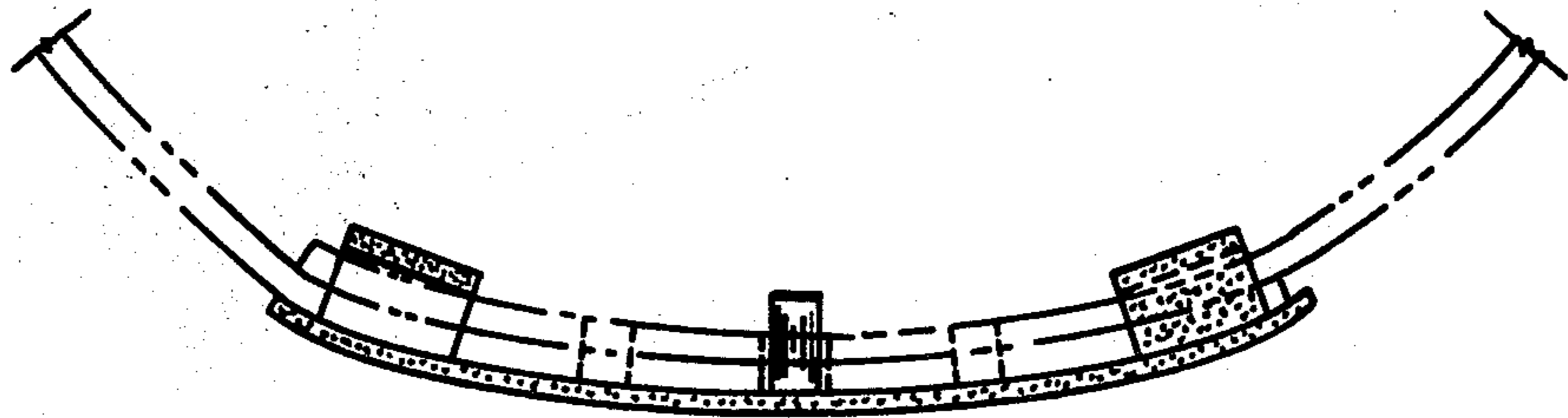


FIG. 3