

[54] TOY SINK

[75] Inventor: Augusto Argandona, East Aurora, N.Y.

[73] Assignee: The Quaker Oats Company, Chicago, Ill.

[\*\*] Term: 14 Years

[21] Appl. No.: 346,184

[22] Filed: Feb. 5, 1982

[52] U.S. Cl. .... D21/121

[58] Field of Search ..... D21/121, 122; 46/14

[56]

References Cited

U.S. PATENT DOCUMENTS

- D. 258,162 2/1981 Orenstein et al. .... D21/121
- D. 261,159 10/1981 Rapaport ..... D21/122

Primary Examiner—Melvin B. Feifer  
Attorney, Agent, or Firm—Cumpston & Shaw

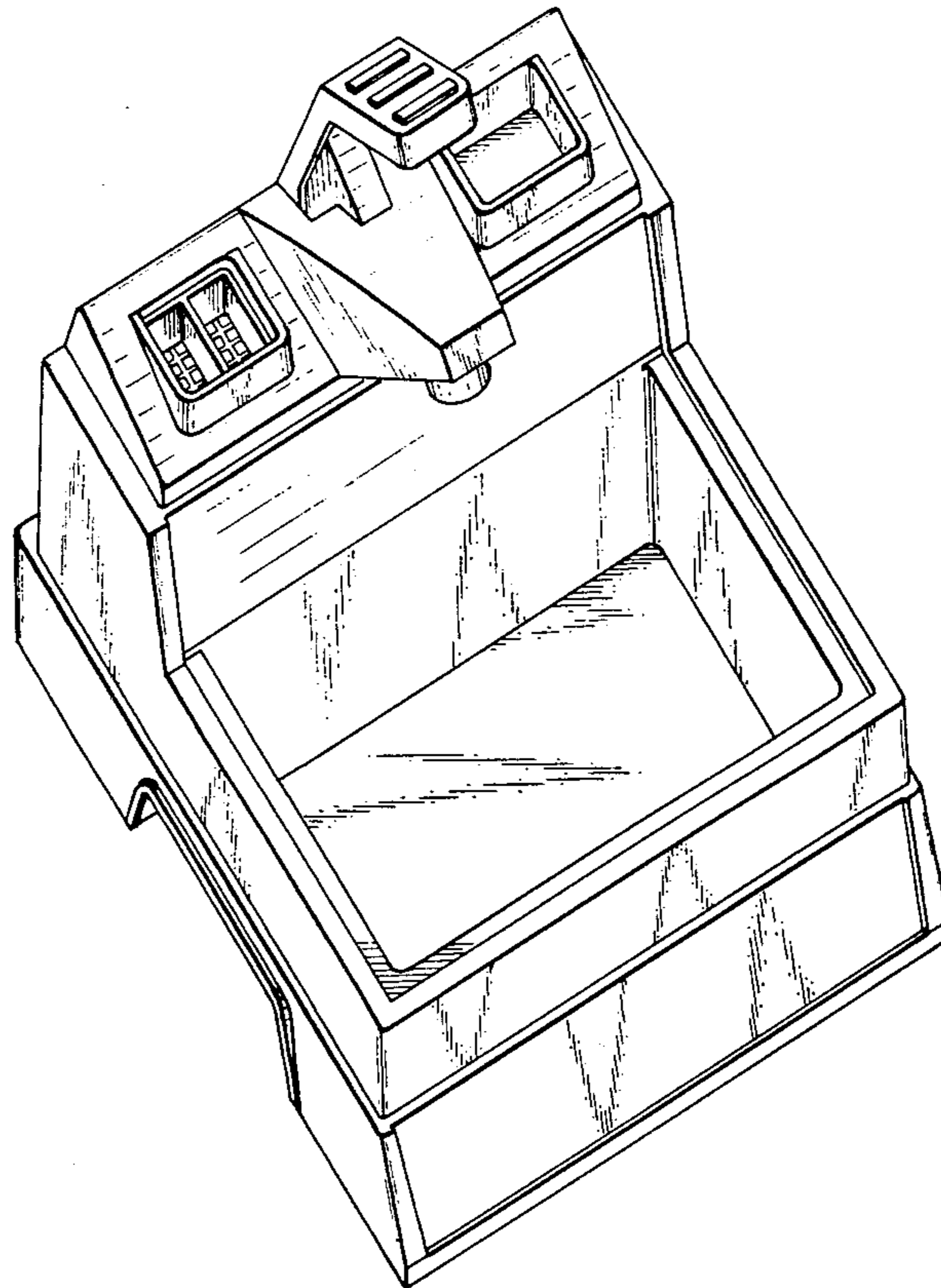
[57]

CLAIM

The ornamental design for a toy sink, substantially as shown and described.

DESCRIPTION

FIG. 1 is a front perspective view of a toy sink showing my new design;  
 FIG. 2 is a left side elevational view thereof; the right side being substantially a mirror image;  
 FIG. 3 is a rear elevational view thereof; and  
 FIG. 4 is a bottom plan view thereof on a reduced scale.



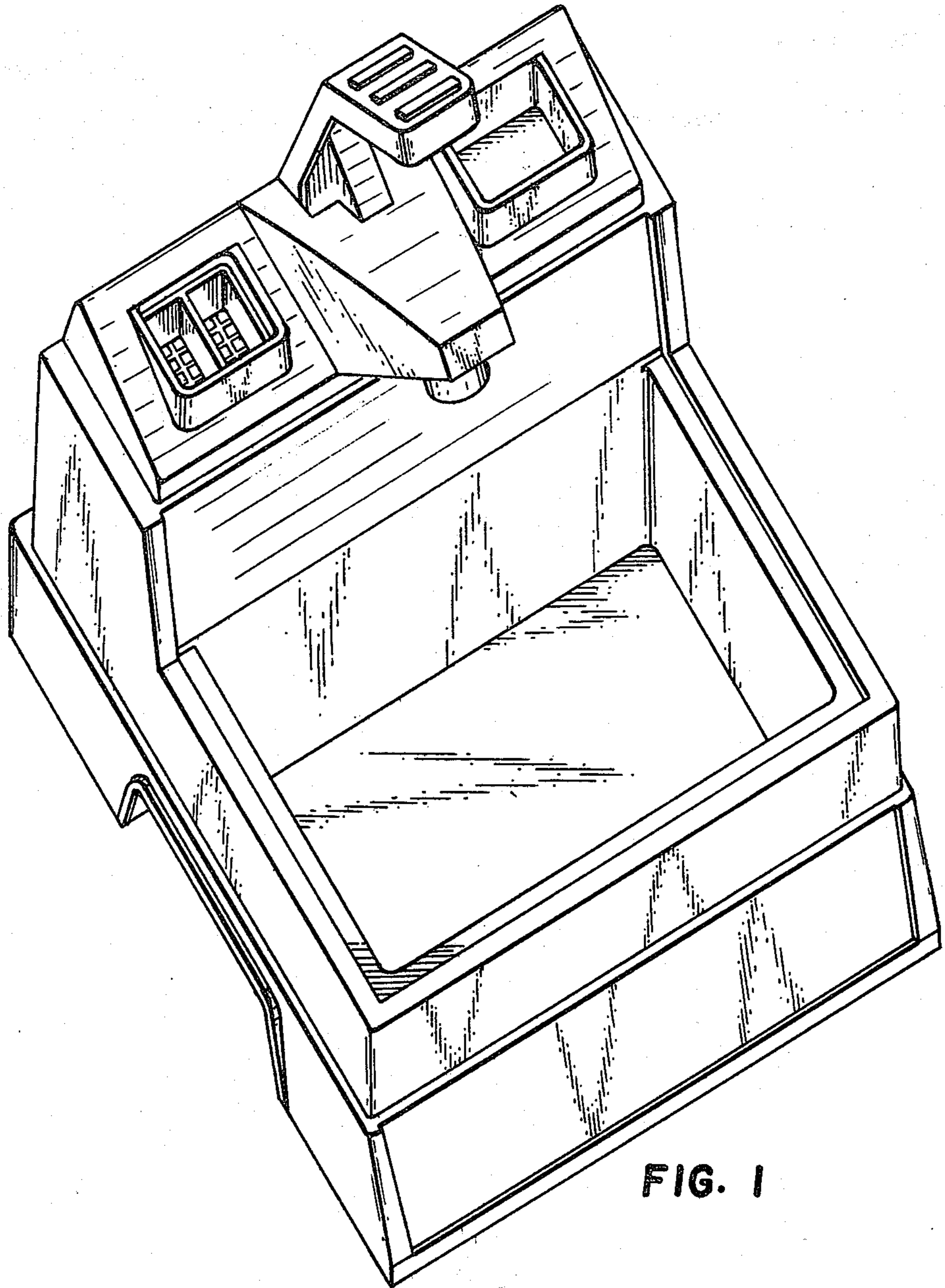
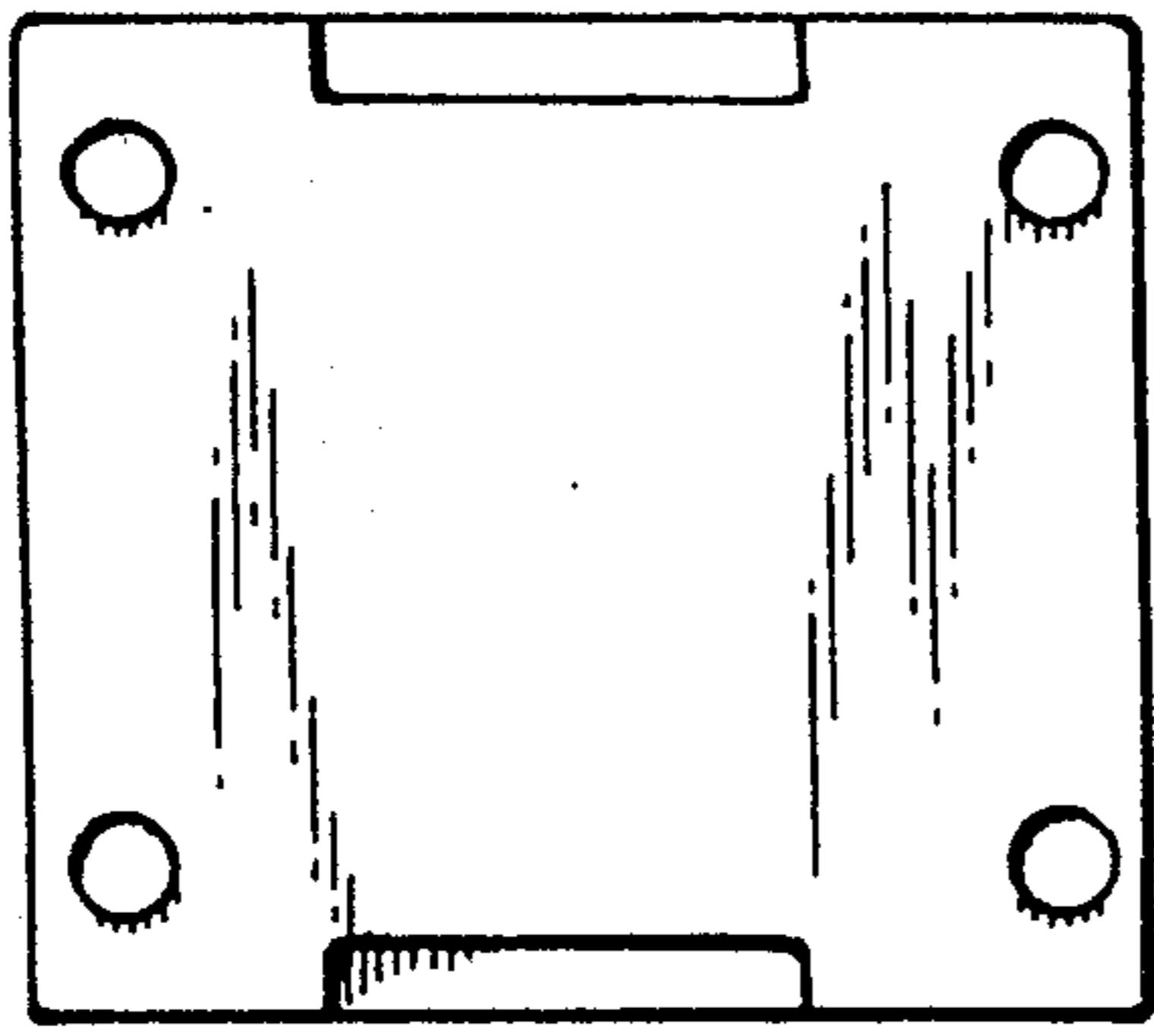
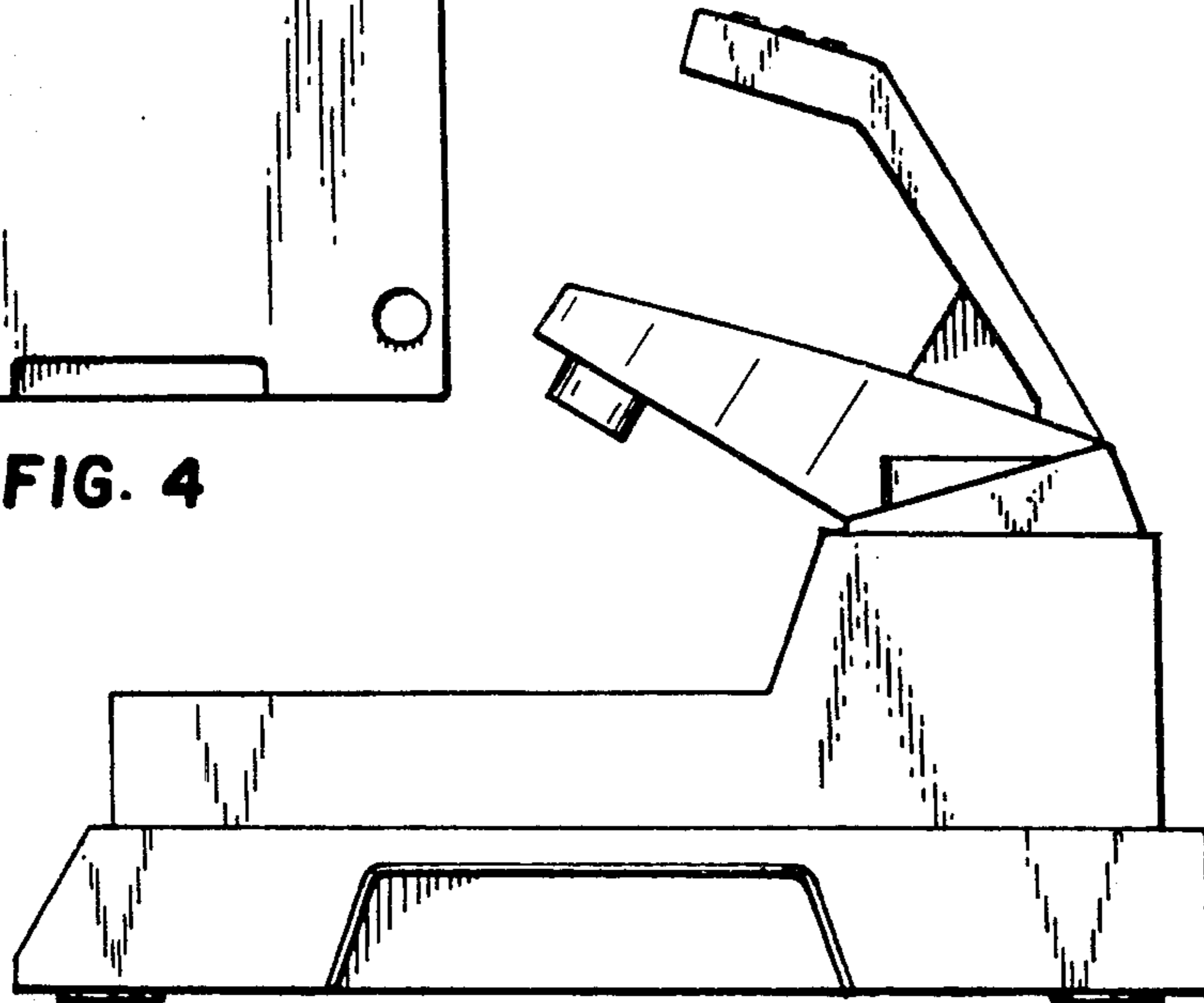


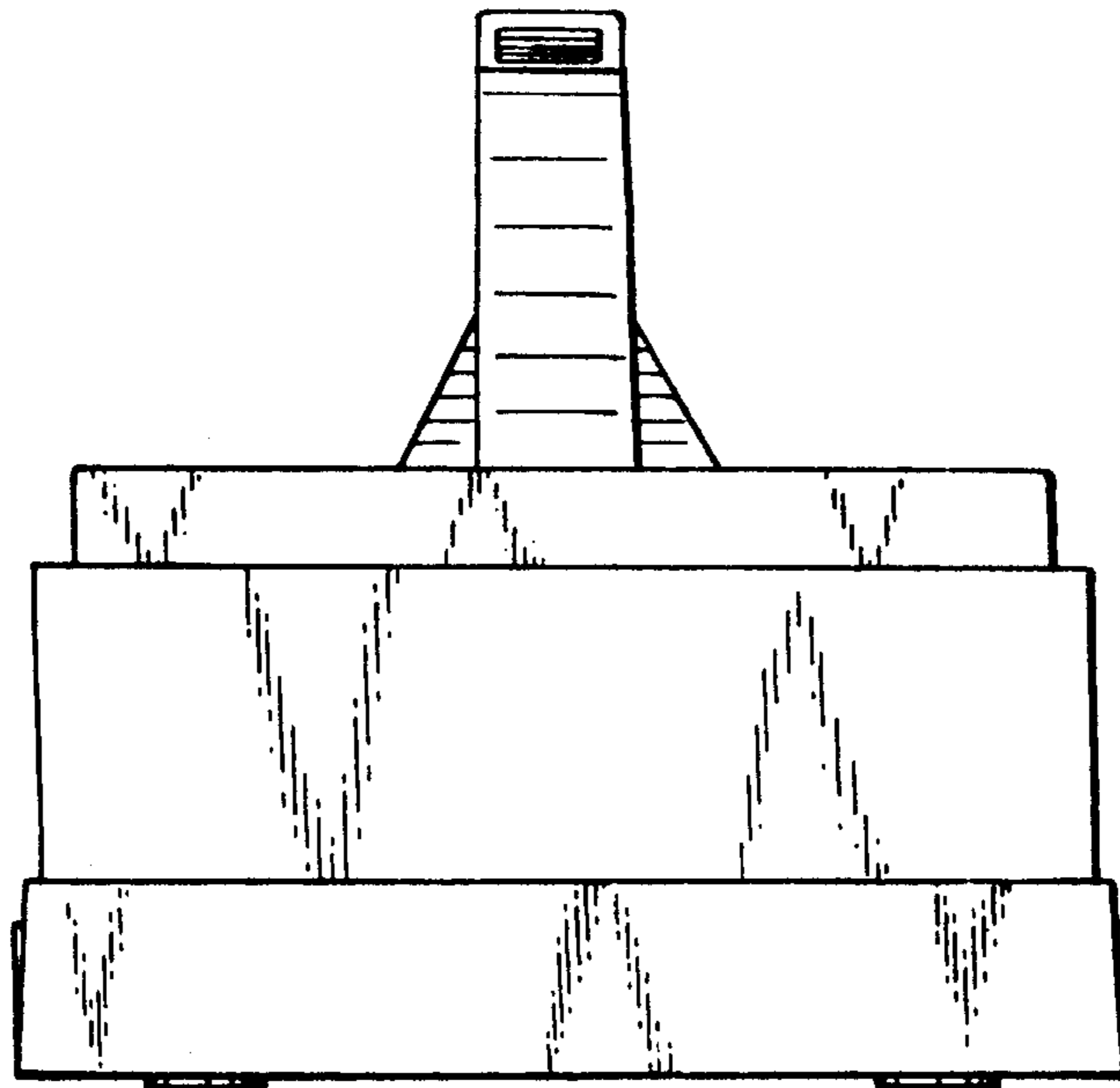
FIG. 1



**FIG. 4**



**FIG. 2**



**FIG. 3**