

[54] KITE

D. 235,670 7/1975 Barrett D21/88

[76] Inventor: Charles O. Meckley, 29520 SW.
199th Ave., Homestead, Fla. 33030

Primary Examiner—Melvin B. Feifer
Attorney, Agent, or Firm—K. H. Claffy

[**] Term: 14 Years

[57] CLAIM

[21] Appl. No.: 351,452

The ornamental design for a kite, as shown and described.

[22] Filed: Feb. 23, 1982

[52] U.S. Cl. D21/88

[58] Field of Search D21/88, 87, 89;
244/153 R

DESCRIPTION

FIG. 1 is a rear perspective view of a kite showing my new design;

FIG. 2 is a front elevation;

FIG. 3 is a left side elevation (the right side is similar);

FIG. 4 is a rear elevation;

FIG. 5 is a plan view;

FIG. 6 is a bottom view;

FIG. 7 is a front perspective of a second embodiment of the design.

[56] References Cited

U.S. PATENT DOCUMENTS

- D. 169,864 6/1953 Myser D21/87
- D. 215,457 9/1969 Wallace D21/89
- D. 219,042 10/1970 King et al. D21/87

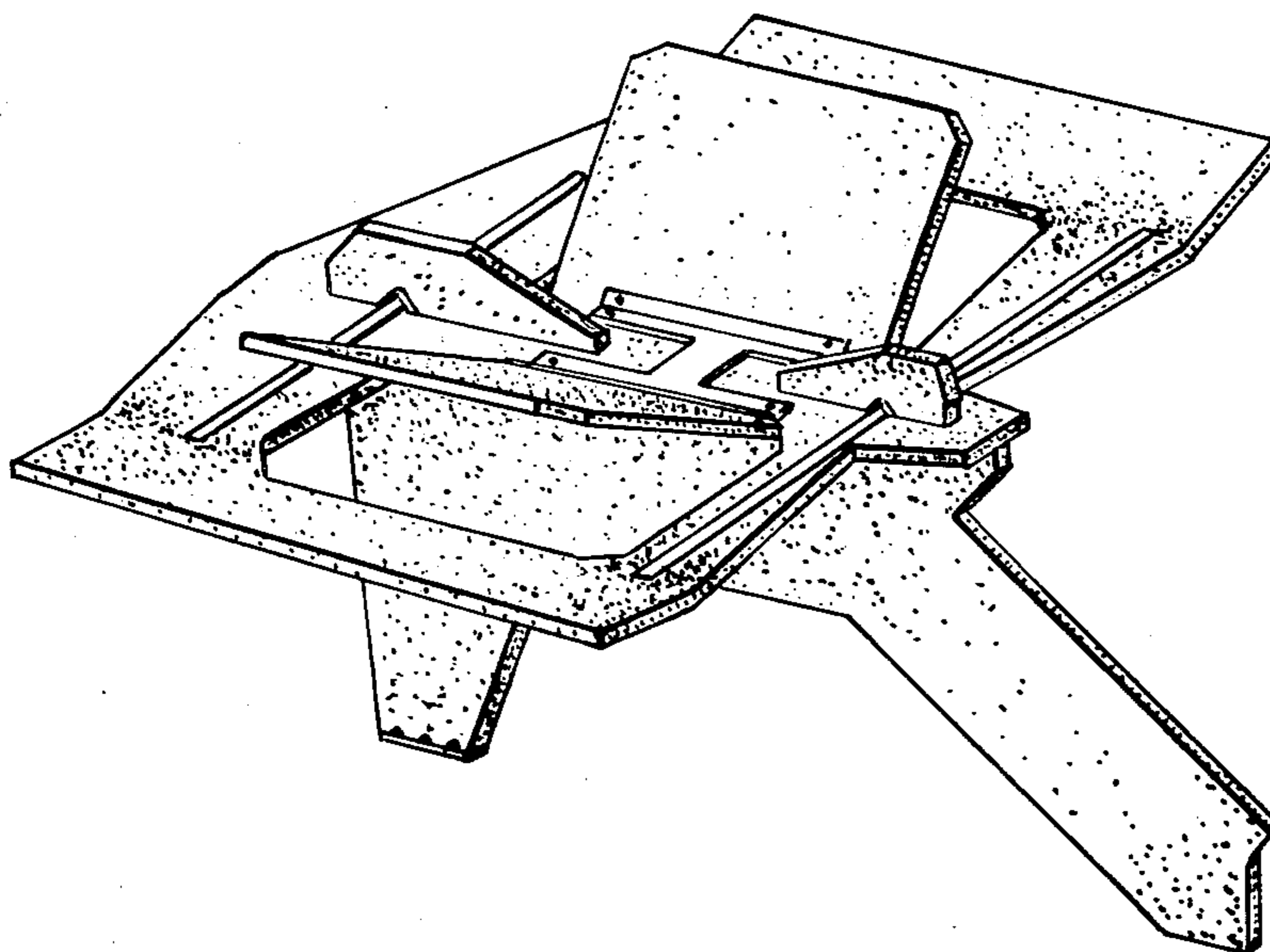


FIG. 1.

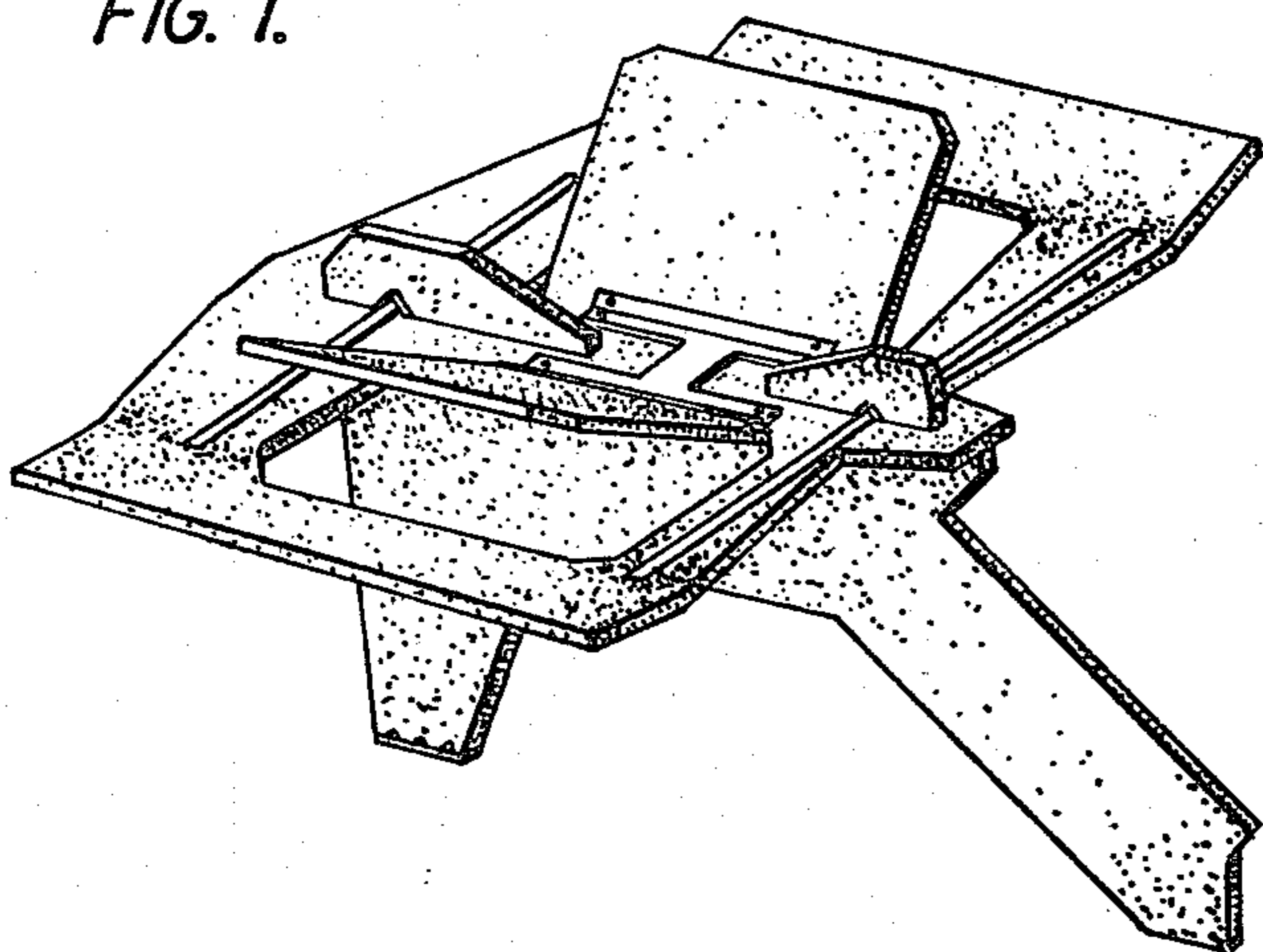


FIG. 2.

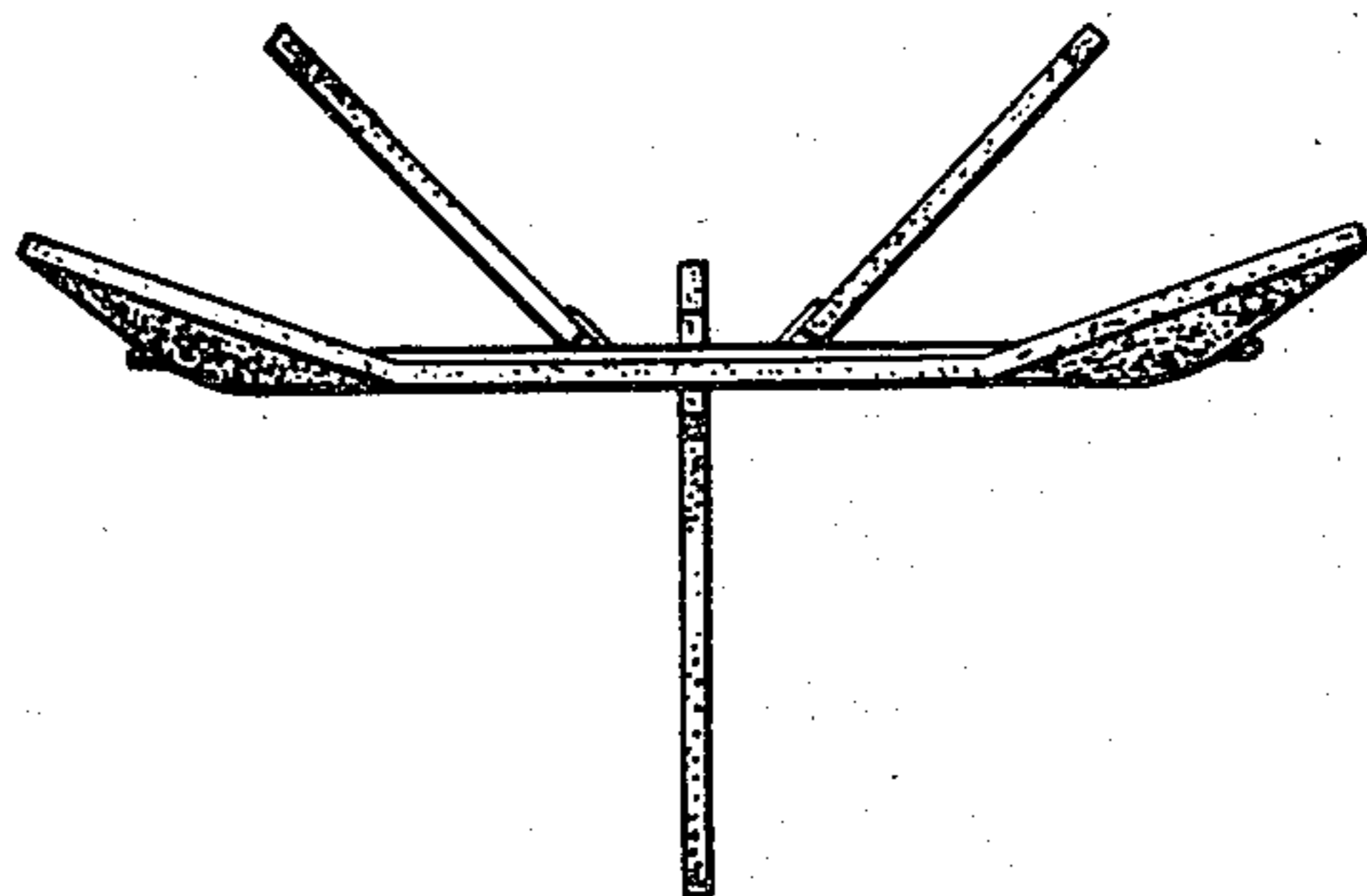


FIG. 3.

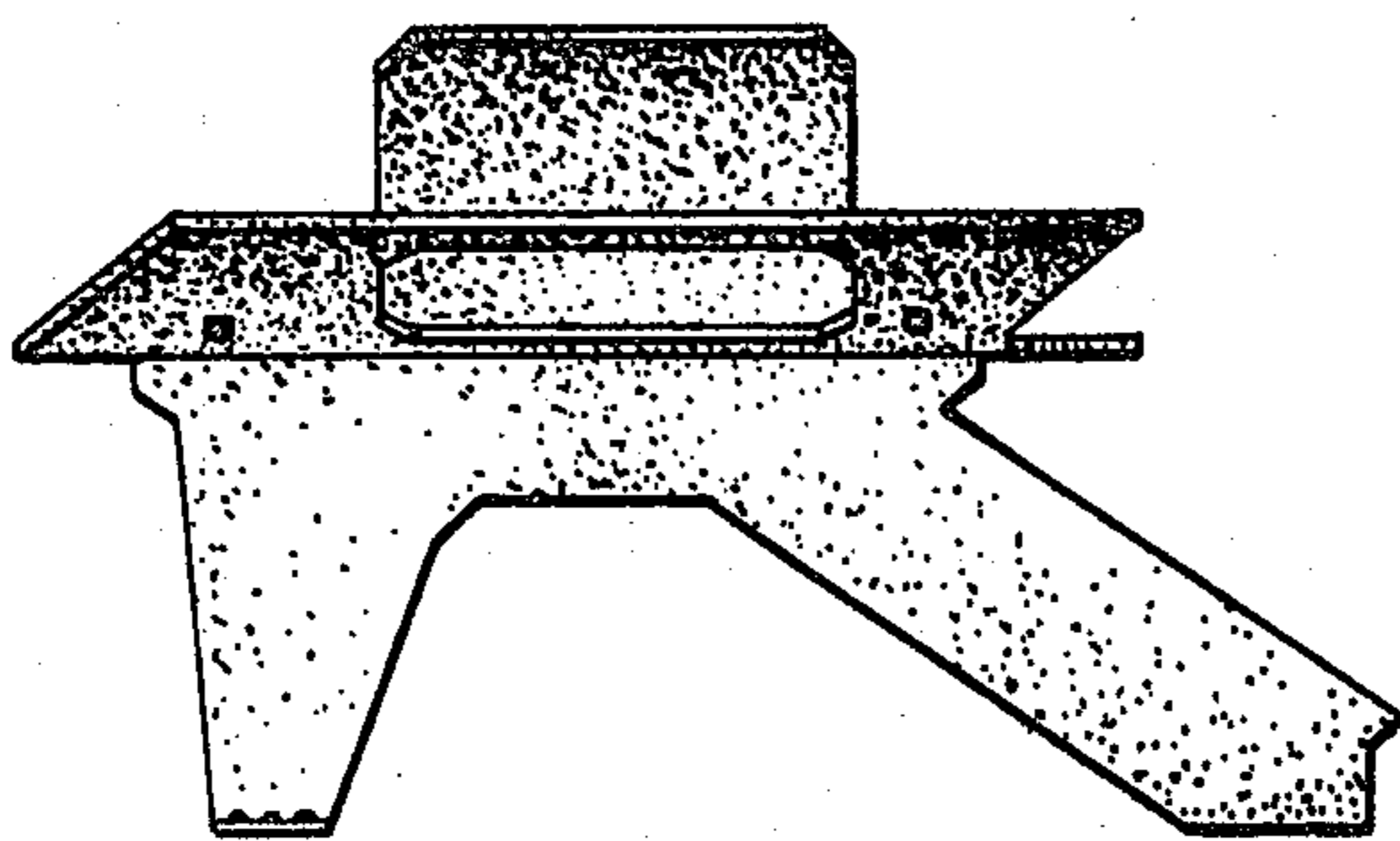


FIG. 4.

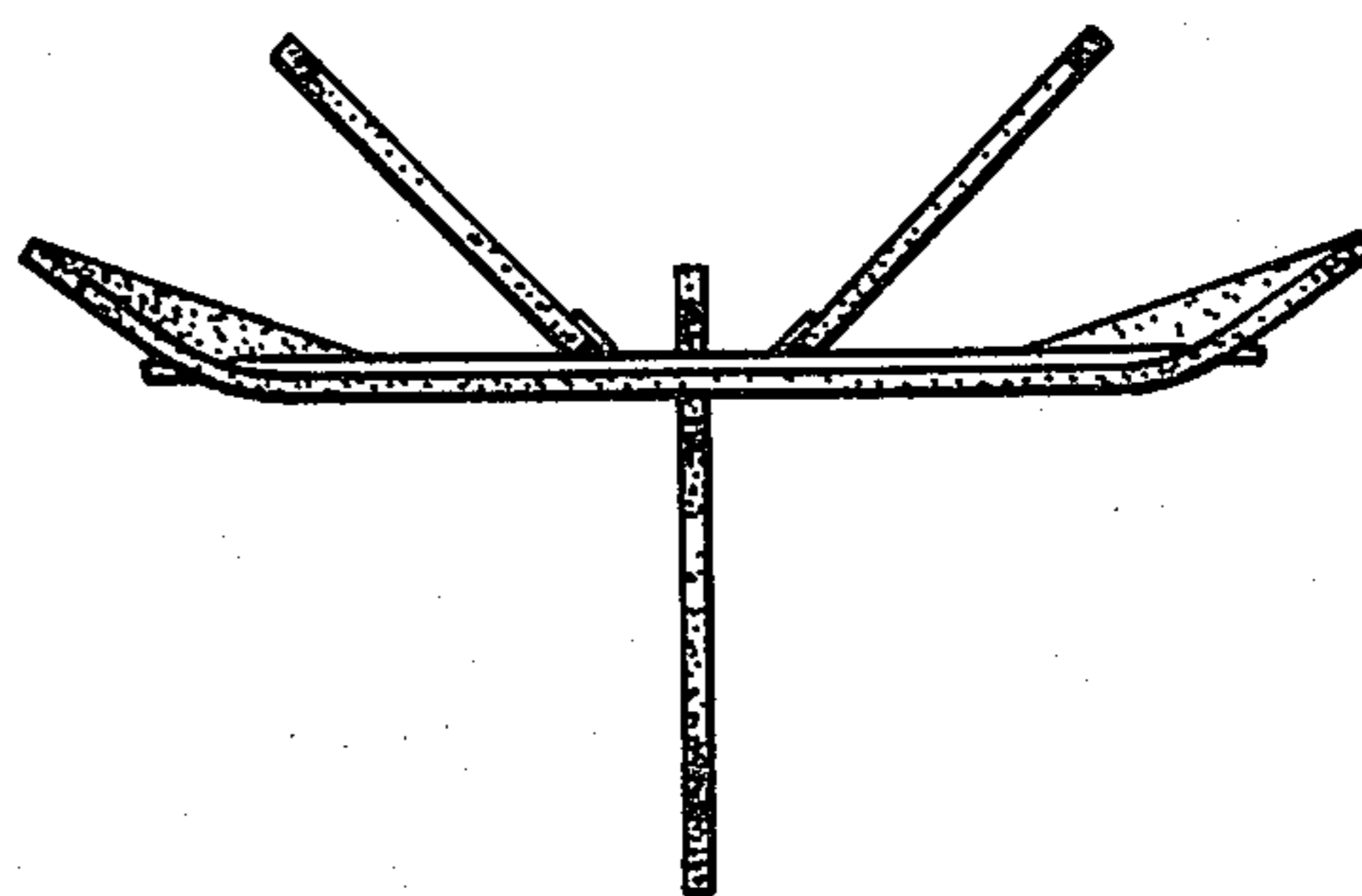


FIG. 5.

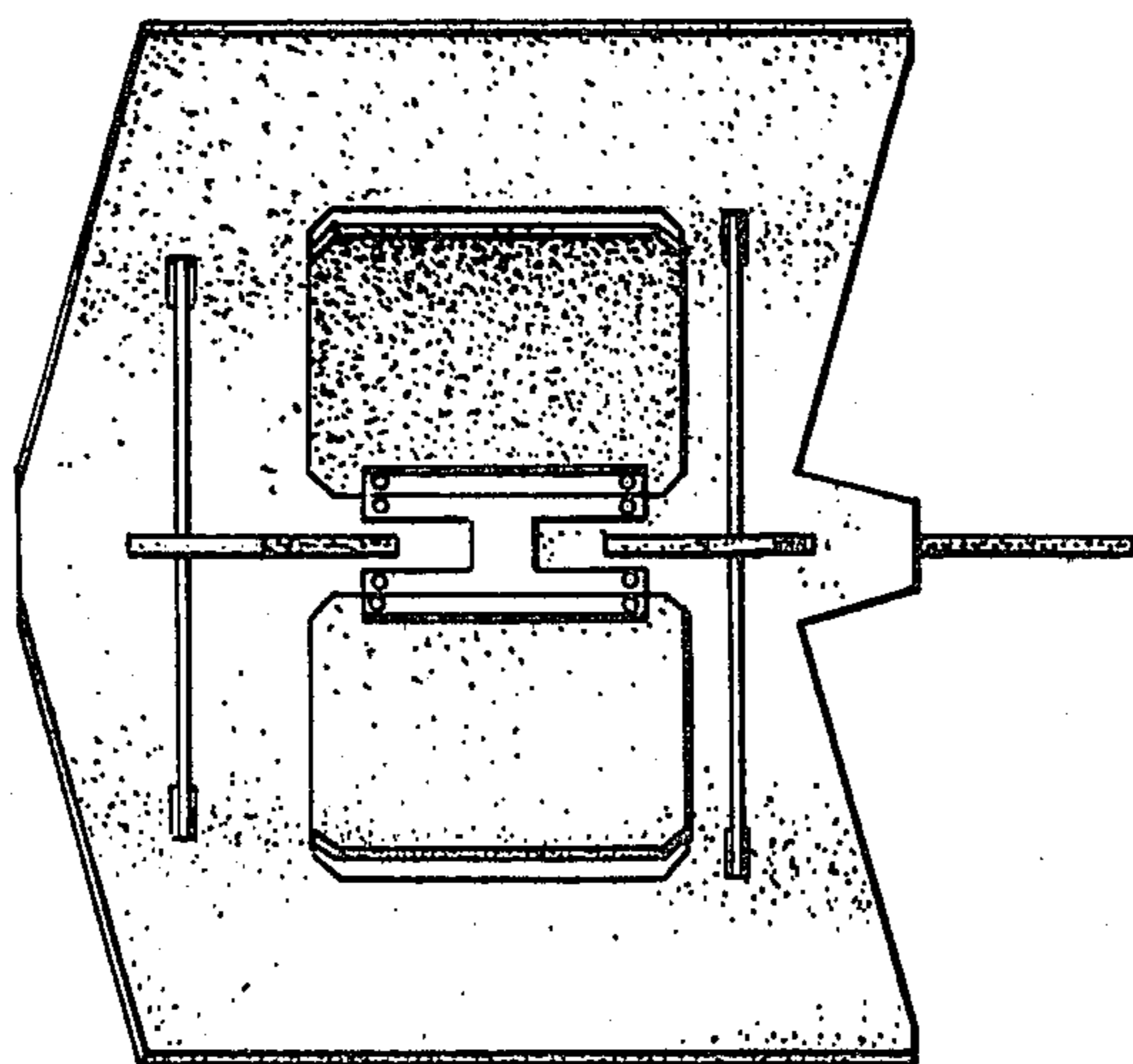


FIG. 6.

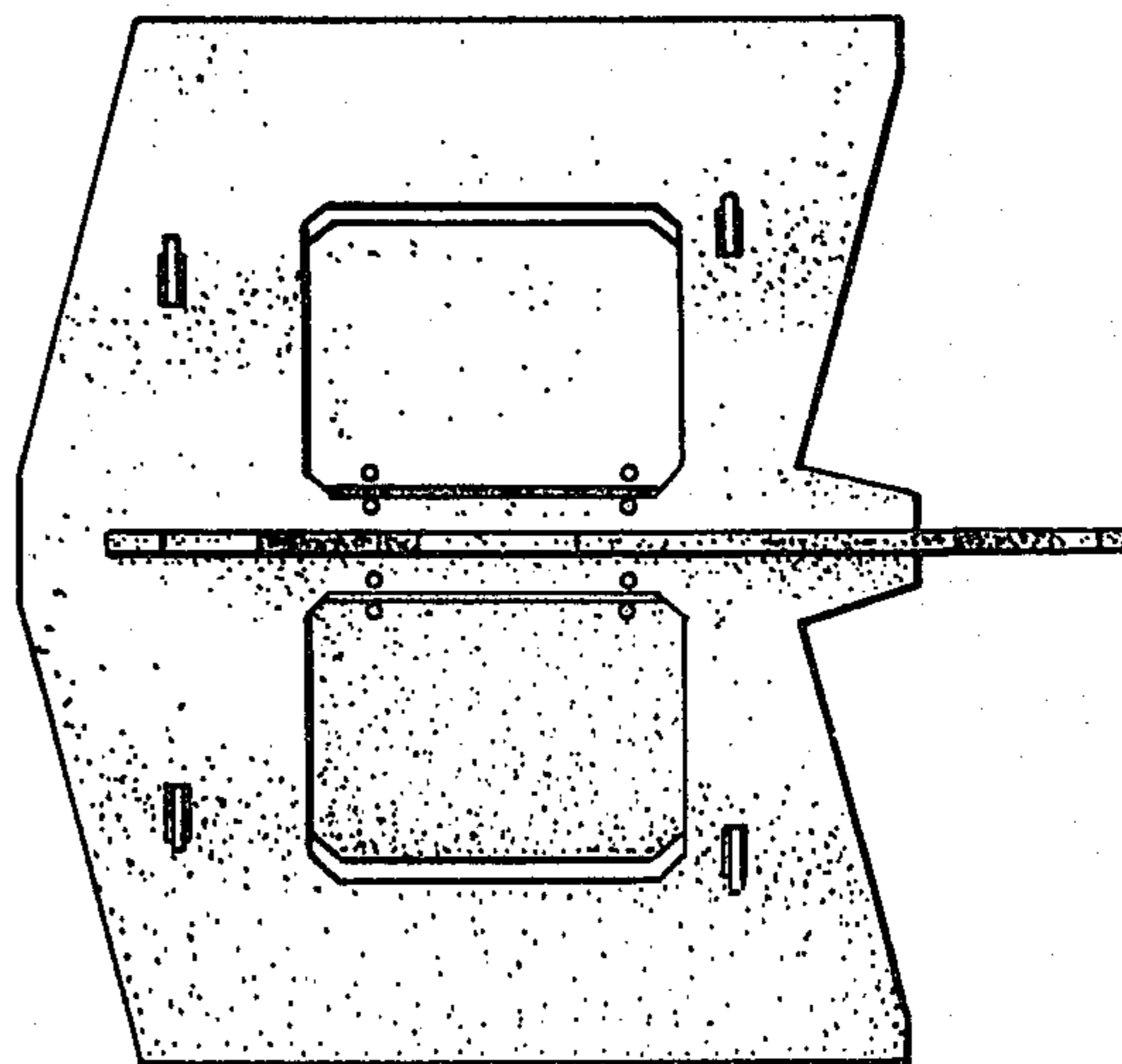


FIG. 7

