

[54] DISPLAY CARD HOLDER

[75] Inventors: Frank V. Haymann, Johannesburg; David A. King, Transvaal, both of South Africa

[73] Assignee: Sable Enterprises (Proprietary) Limited, Transvaal, South Africa

[**] Term: 14 Years

[21] Appl. No.: 269,064

[22] Filed: Jun. 1, 1981

[30] Foreign Application Priority Data

Feb. 24, 1981 [ZA] South Africa 81/0134

[52] U.S. Cl. D20/40; D6/140; D6/180; D20/43; D20/44

[58] Field of Search D6/140, 180, 184; D20/15, 40, 43, 44; 248/473; 40/10 R, 16, 341, 152.1; 281/15 A, 15 B

[56] References Cited

U.S. PATENT DOCUMENTS

D. 62,481	6/1923	Fogarty	D20/44
D. 142,151	8/1945	Gillett	D20/43
D. 228,998	11/1973	Rozman	D6/184
1,475,134	11/1923	Oakes	40/152.1
2,557,398	6/1951	Teetor	248/473
3,914,888	10/1975	Garrison	40/10 R

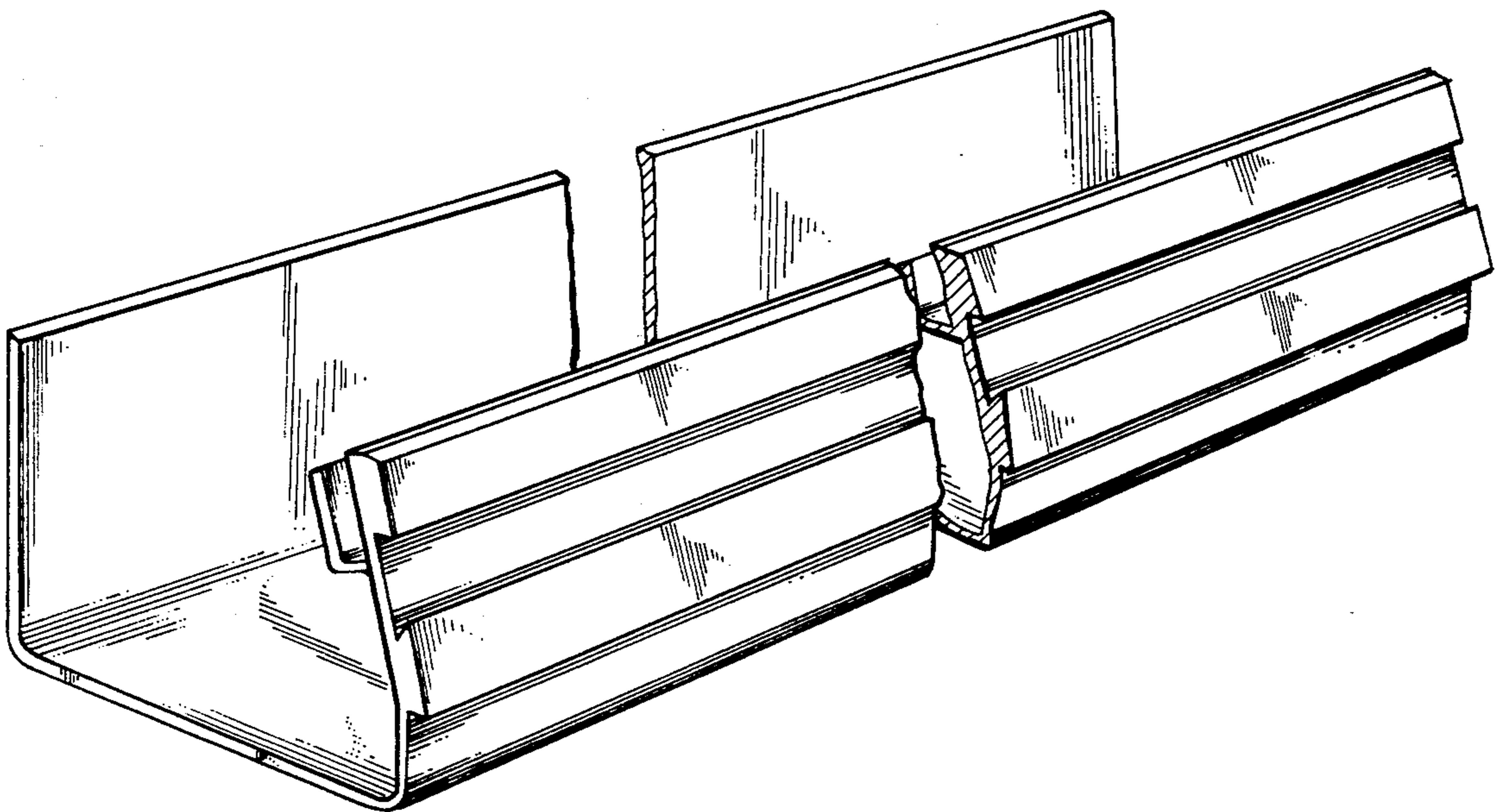
Primary Examiner—B. J. Bullock
Attorney, Agent, or Firm—Cantor and Lessler

[57] CLAIM

The ornamental design for a display card holder, as shown and described.

DESCRIPTION

FIG. 1 is a perspective view of a display card holder showing my new design, shown broken away to indicate indeterminate length;
FIG. 2 is a top plan view thereof;
FIG. 3 is a reduced front elevational view thereof; and
FIG. 4 is a side elevational view thereof.



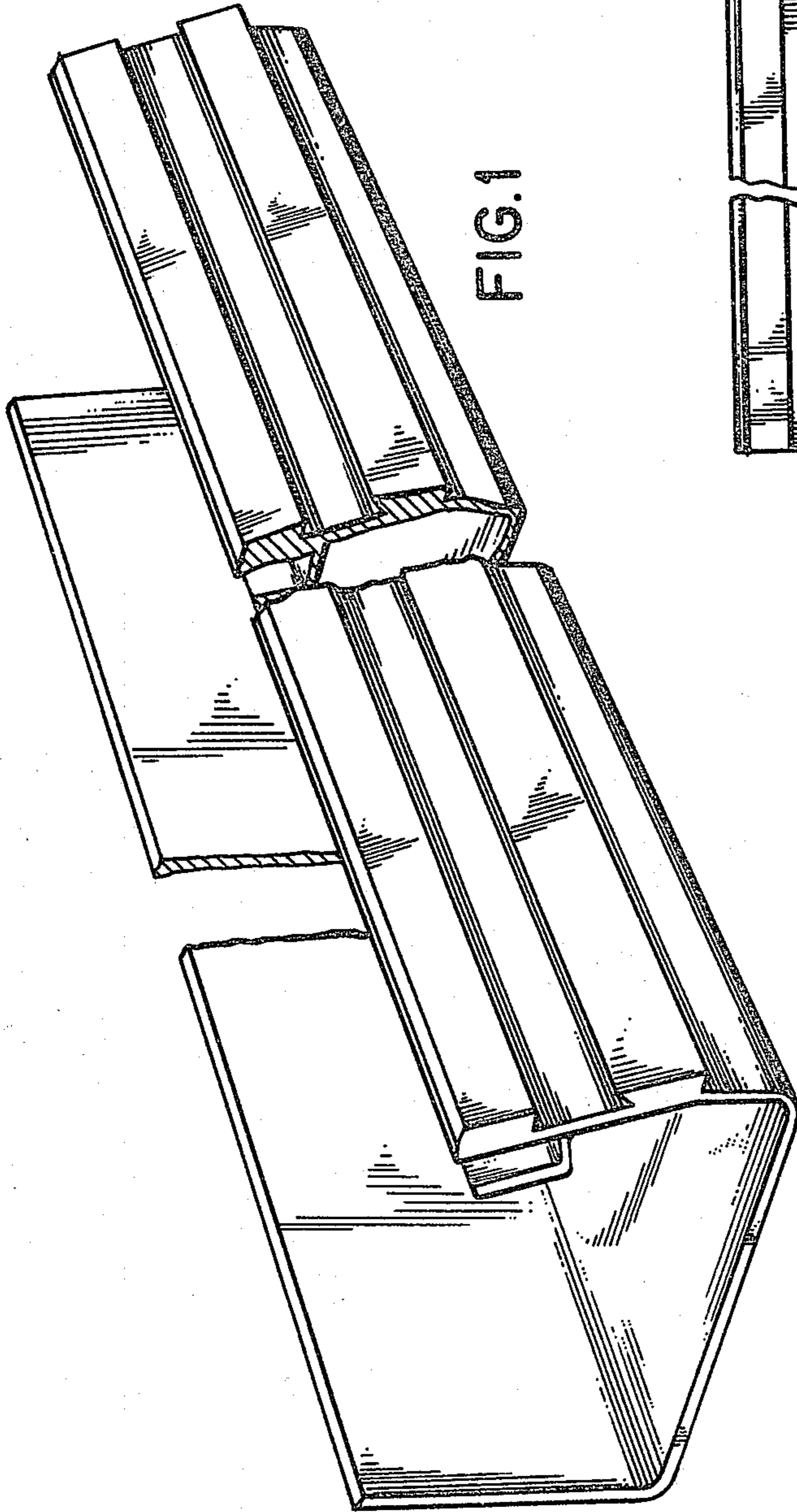


FIG. 1

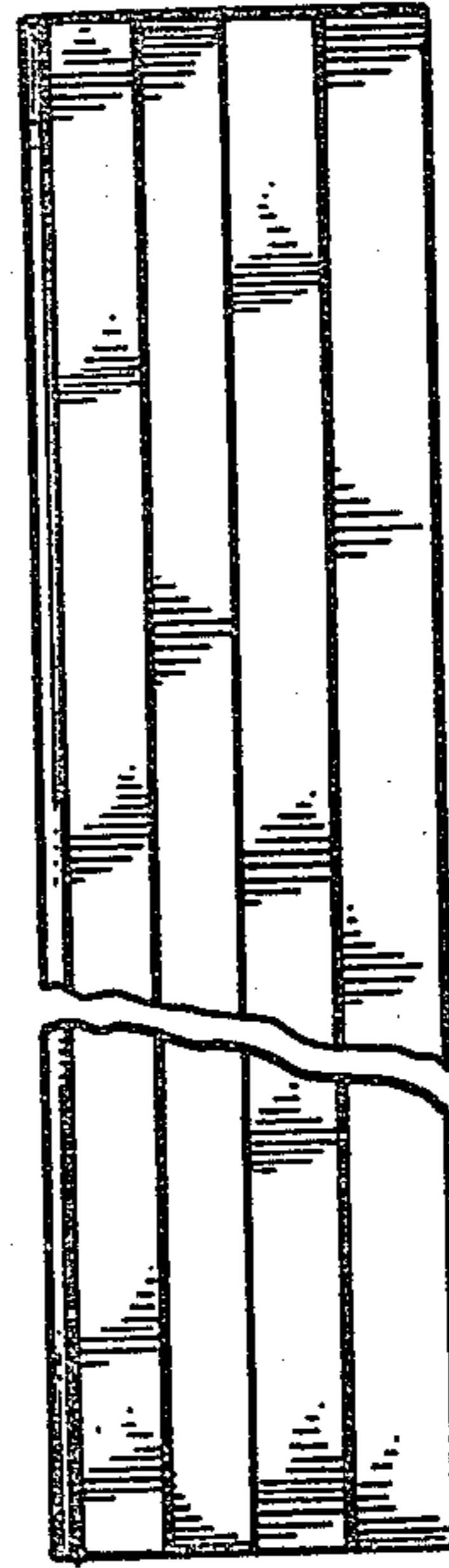


FIG. 3

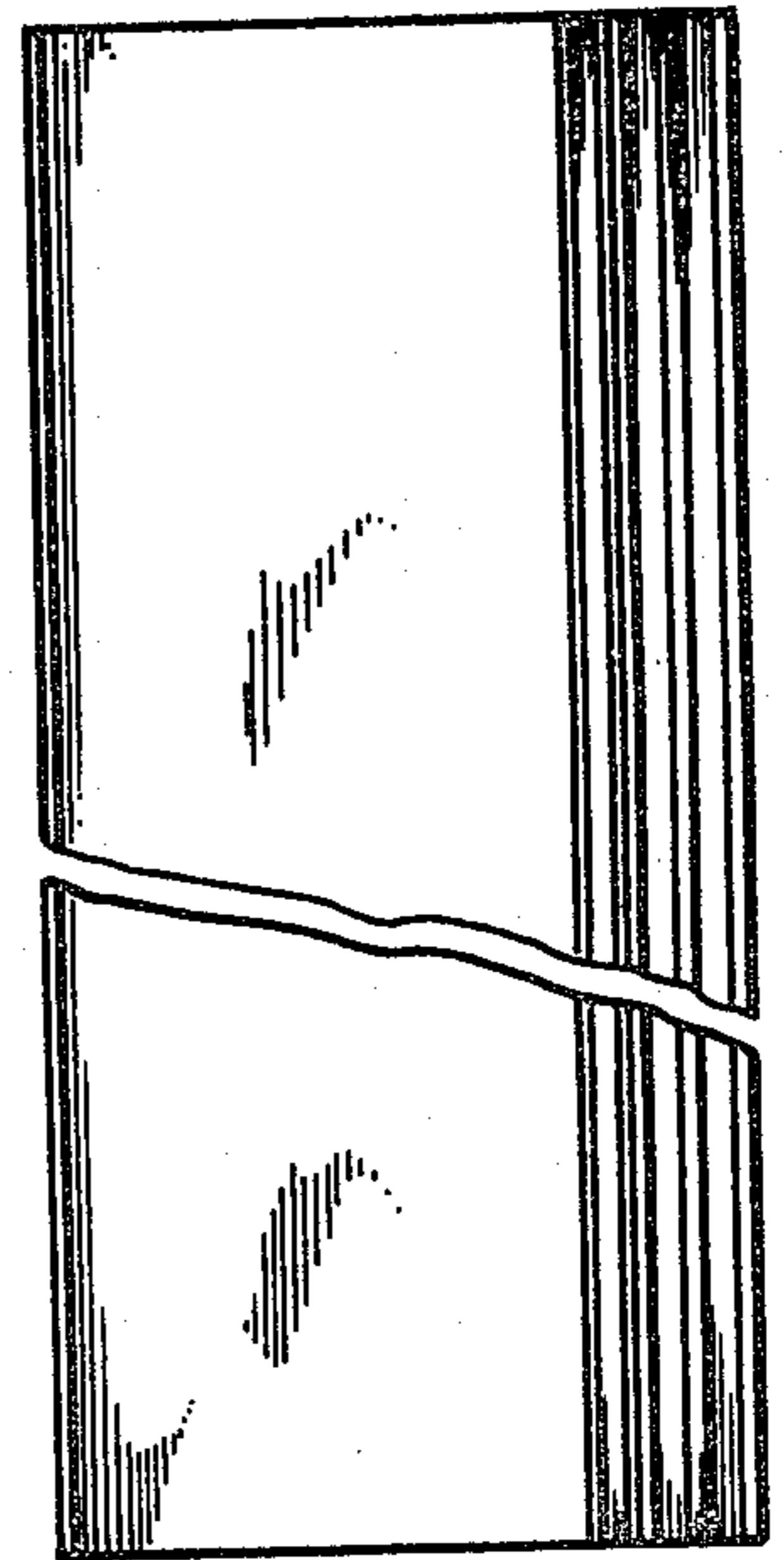


FIG. 2

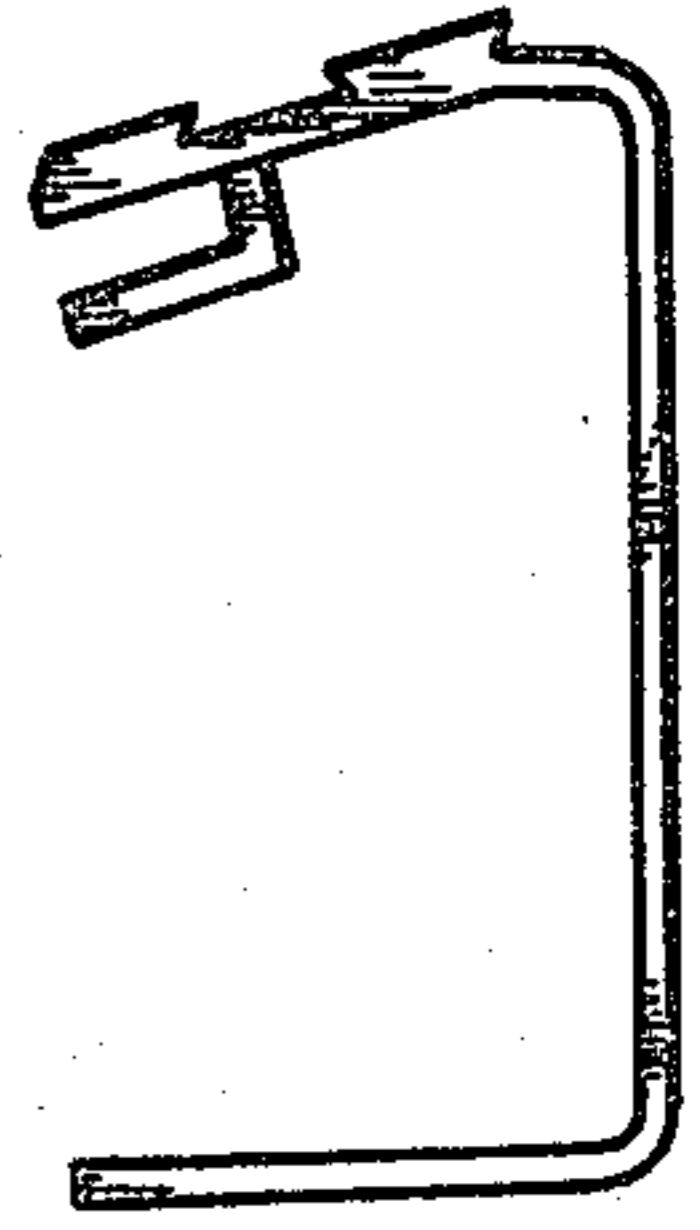


FIG. 4