

[54] EXTRUDED SECTION

[75] Inventor: Michael J. Cushing, Sale, England

[73] Assignee: Rotalac Plastics Limited,
Altrincham, England

[**] Term: 14 Years

[21] Appl. No.: 380,261

[22] Filed: May 20, 1982

[30] Foreign Application Priority Data

Mar. 25, 1982 [GB] United Kingdom 82/1005820

[52] U.S. Cl. D25/74

[58] Field of Search D25/70, 73, 74, 75

[56] References Cited

U.S. PATENT DOCUMENTS

- D. 237,104 10/1975 Fisher D25/74
- D. 267,348 12/1982 Walsh D25/74
- 3,545,496 12/1970 Wogerbauer D25/75 X

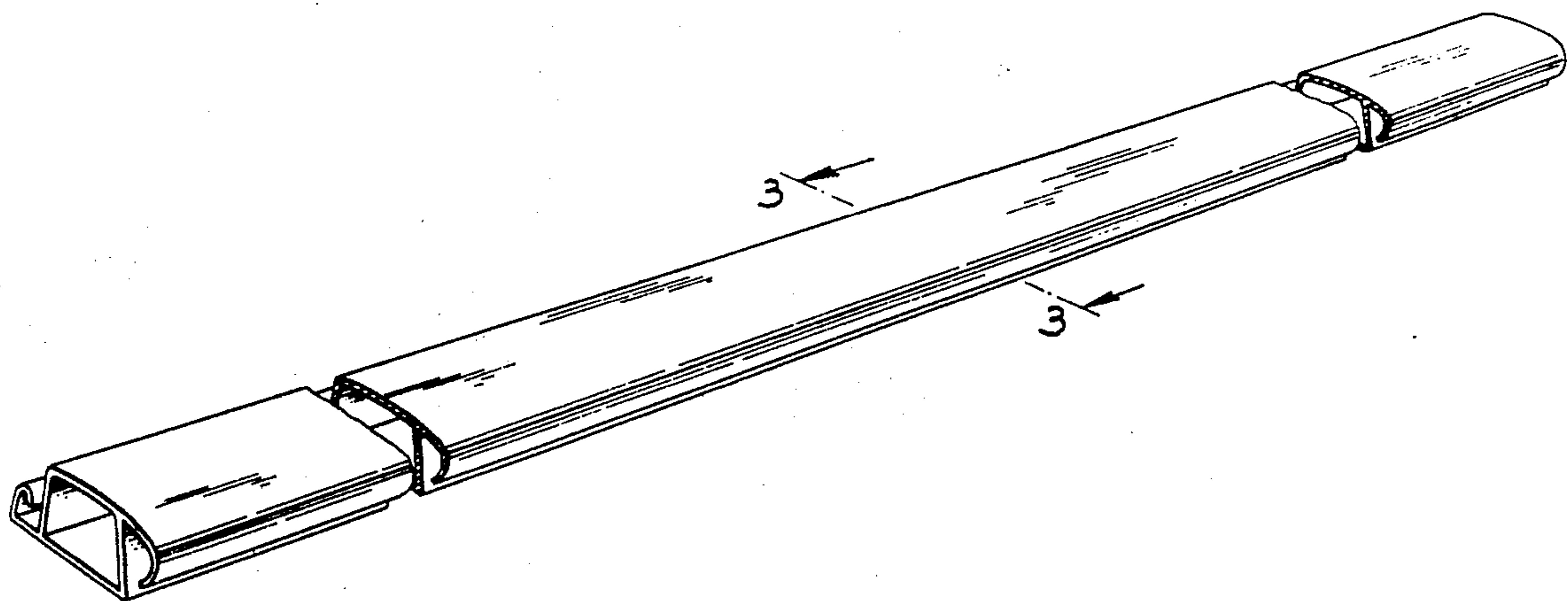
Primary Examiner—A. Hugo Word
Attorney, Agent, or Firm—Ross, Ross & Flavin

[57] CLAIM

The ornamental design for an extruded section, as shown and described.

DESCRIPTION

FIG. 1 is a front perspective view of the extruded section, which is of indefinite length;
FIG. 2 is a rear perspective view thereof; and
FIG. 3 is a cross-section taken as indicated by the line 3—3 of FIG. 1.



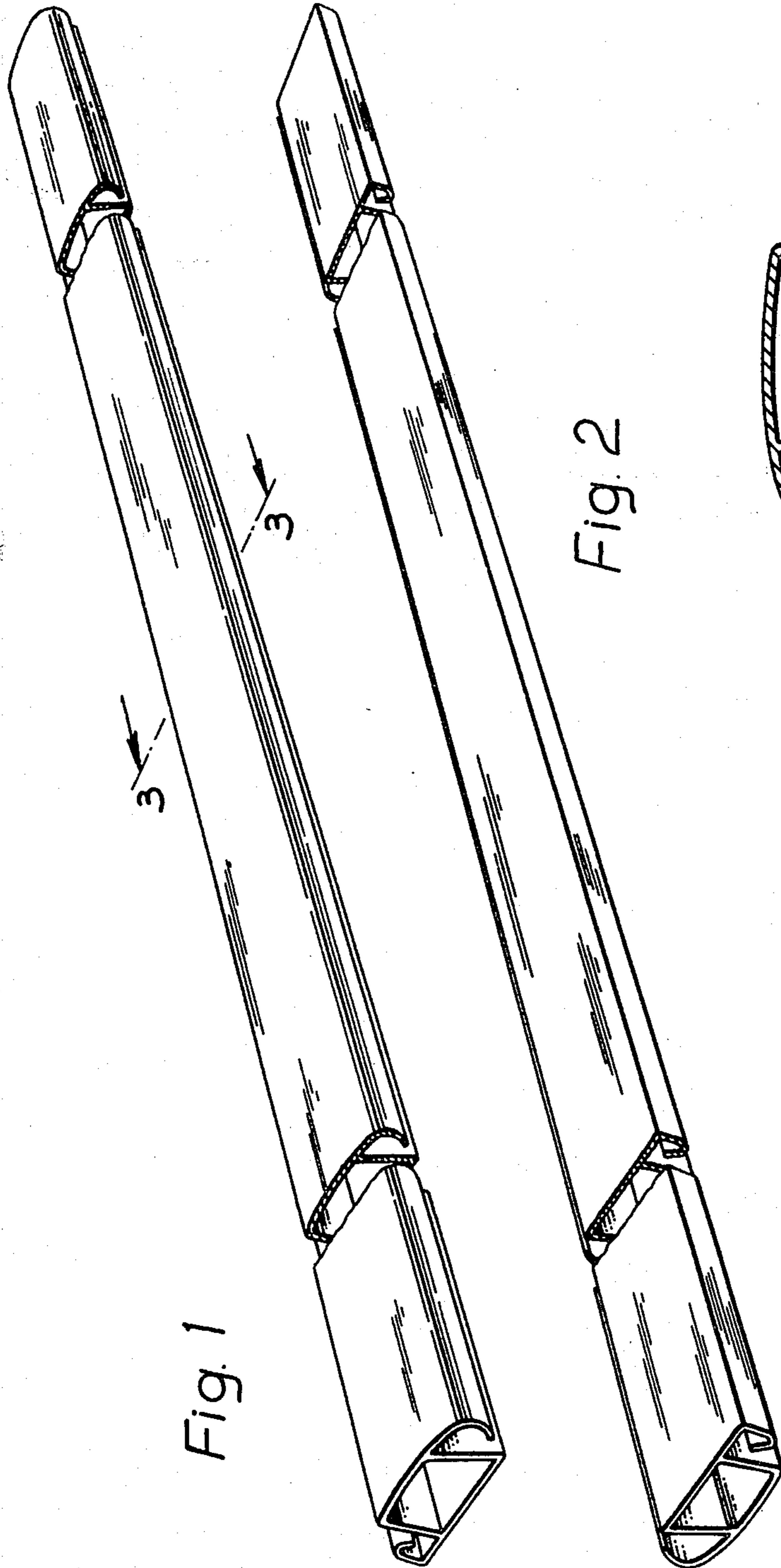


Fig. 1

Fig. 2

Fig. 3