

[54] HEAT IRRADIATION DEVICE FOR MEDICAL PURPOSES

[76] Inventor: Fritz Gorbahn, Kiefernweg 12, D 5810 Witten, Fed. Rep. of Germany

[**] Term: 14 Years

[21] Appl. No.: 306,895

[22] Filed: Sep. 29, 1981

[52] U.S. Cl. D24/68; D24/2; D26/37

[58] Field of Search D24/2, 39, 68; 362/217, 362/353; 250/495.1; D26/37

[56] References Cited

U.S. PATENT DOCUMENTS

- D. 54,630 3/1920 Jimmerson D24/68
- D. 170,925 11/1953 Kaveckas D24/2 X
- D. 179,286 11/1956 Furedy D24/68
- D. 200,375 2/1965 Feer D24/2
- D. 200,381 2/1965 Feer D24/2
- D. 215,385 9/1969 Mettler D24/2

- D. 240,082 5/1976 Garwood D24/68
- D. 268,287 3/1983 Boschetti D24/68
- 2,327,346 8/1943 Furedy 250/495

FOREIGN PATENT DOCUMENTS

1554597 10/1979 United Kingdom .

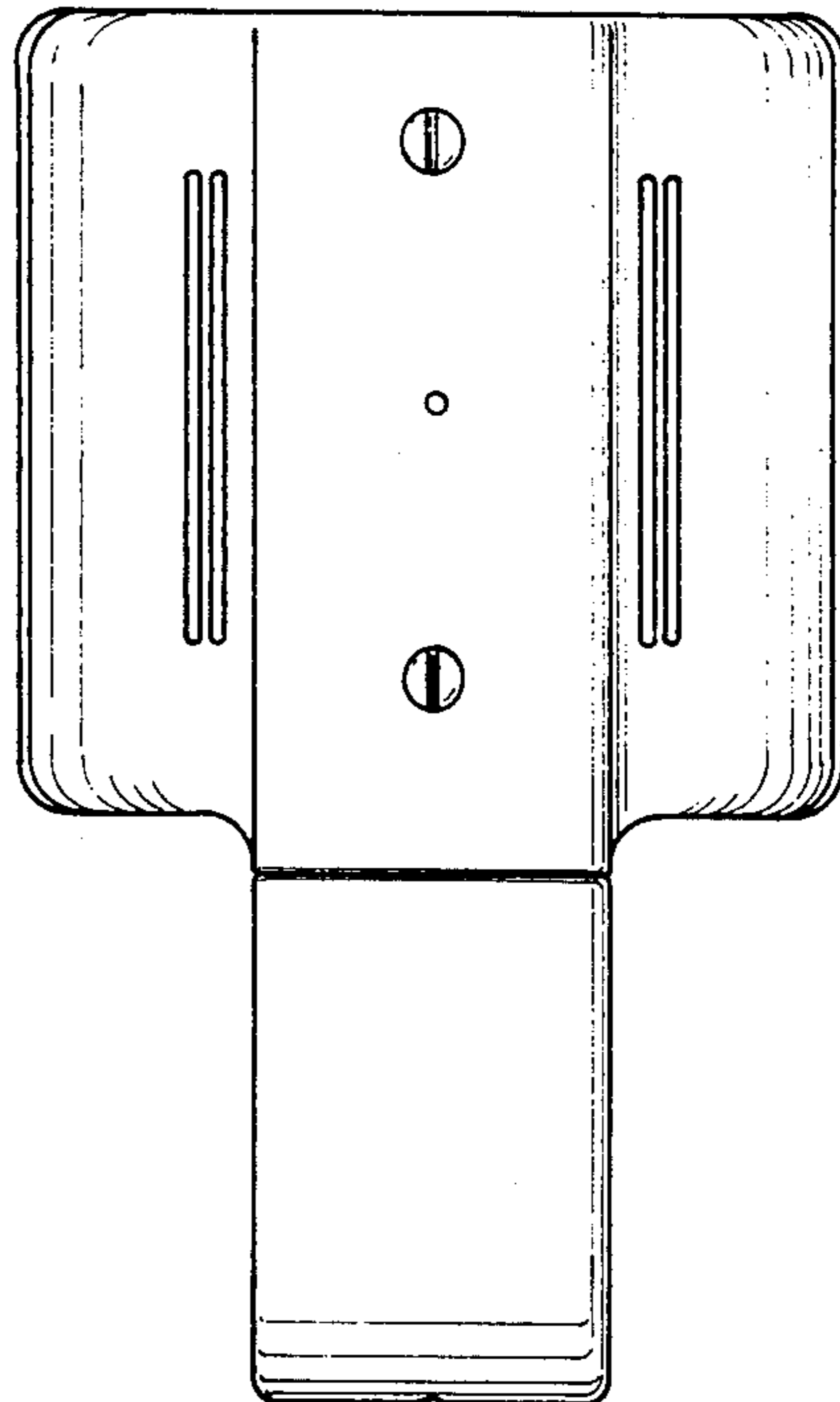
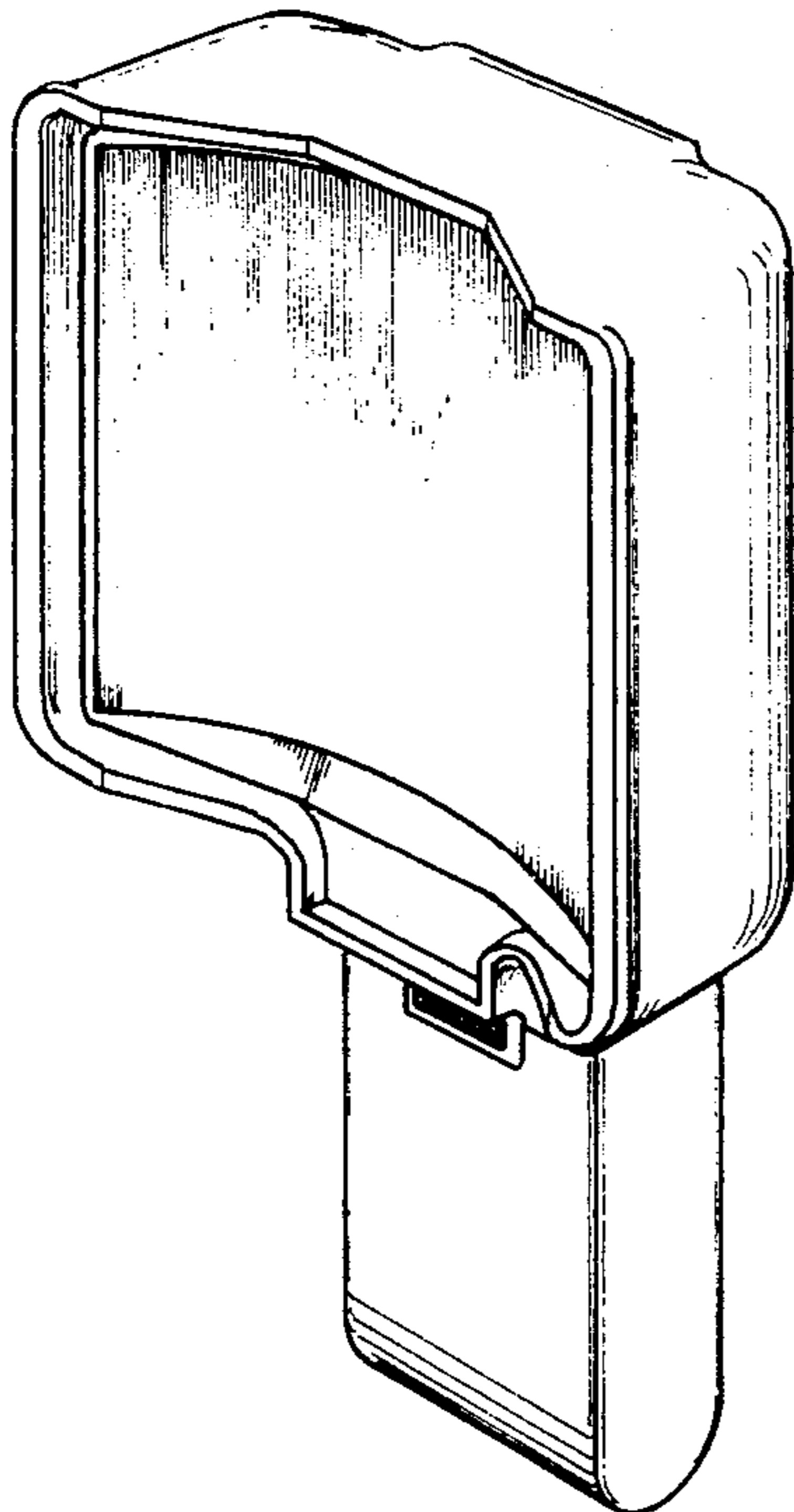
Primary Examiner—Bernard Ansher
Attorney, Agent, or Firm—Robert E. Burns; Emmanuel J. Lobato; Bruce L. Adams

[57] CLAIM

The ornamental design for a heat irradiation device for medical purposes, as shown and described.

DESCRIPTION

FIG. 1 is a perspective view of a heat irradiation device showing my new design;
FIG. 2 is a front elevational view thereof;
FIG. 3 is a rear elevational view thereof;
FIG. 4 is a side elevational view thereof;
FIG. 5 is an opposite side elevational view thereof;
FIG. 6 is a top plan view thereof; and
FIG. 7 is a bottom view thereof.



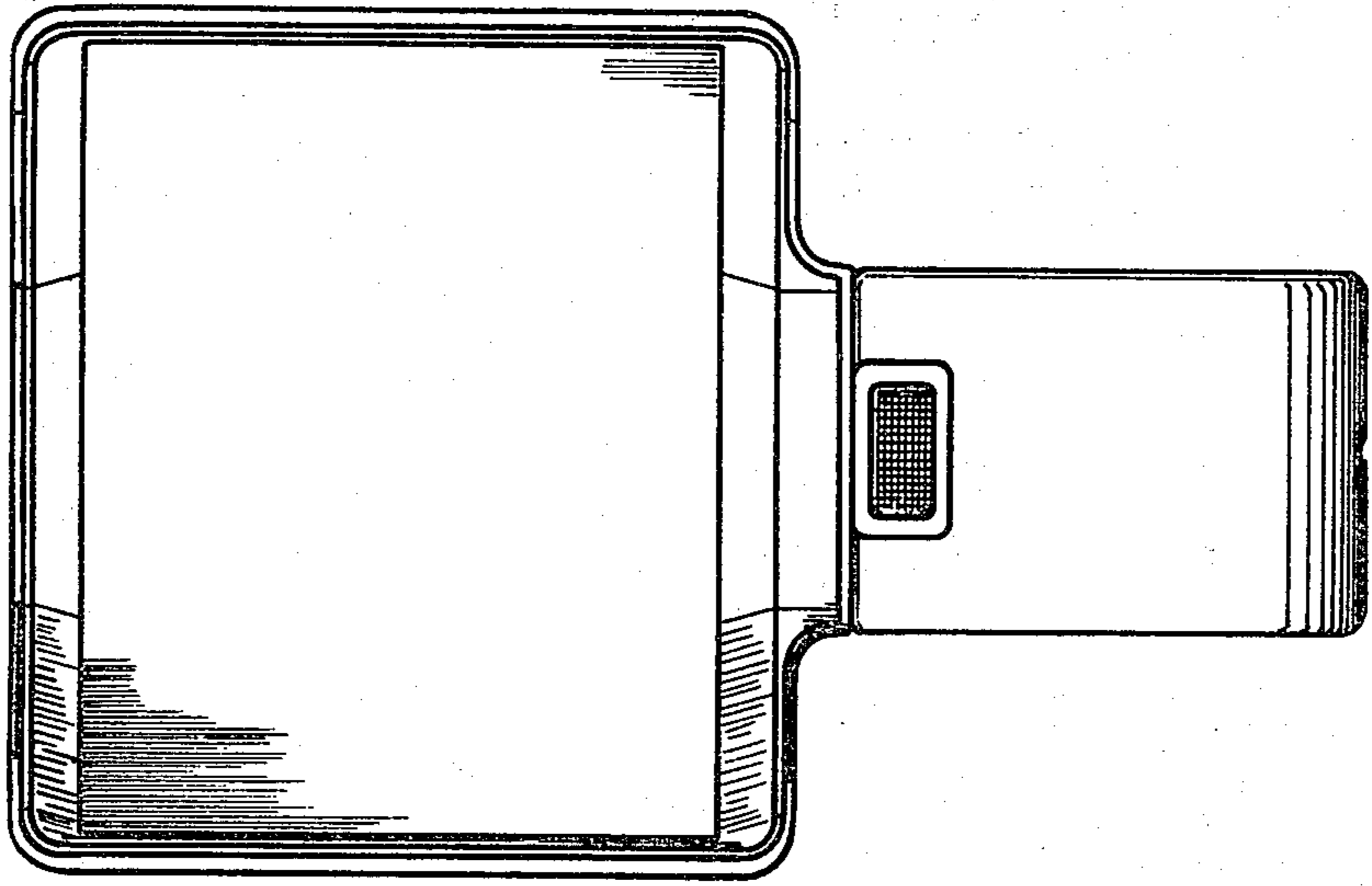


FIG. 2.

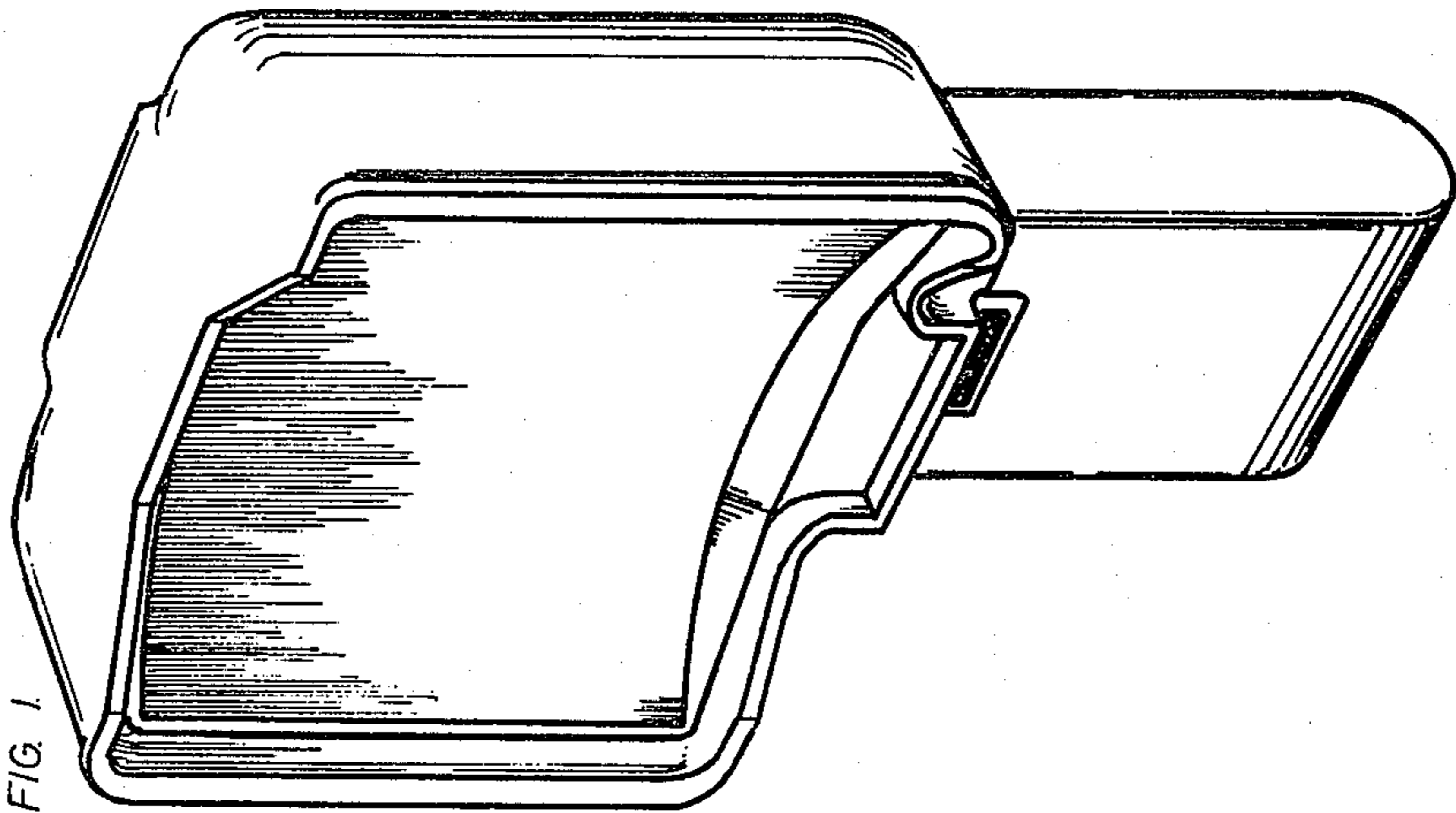


FIG. 1.

FIG. 4.

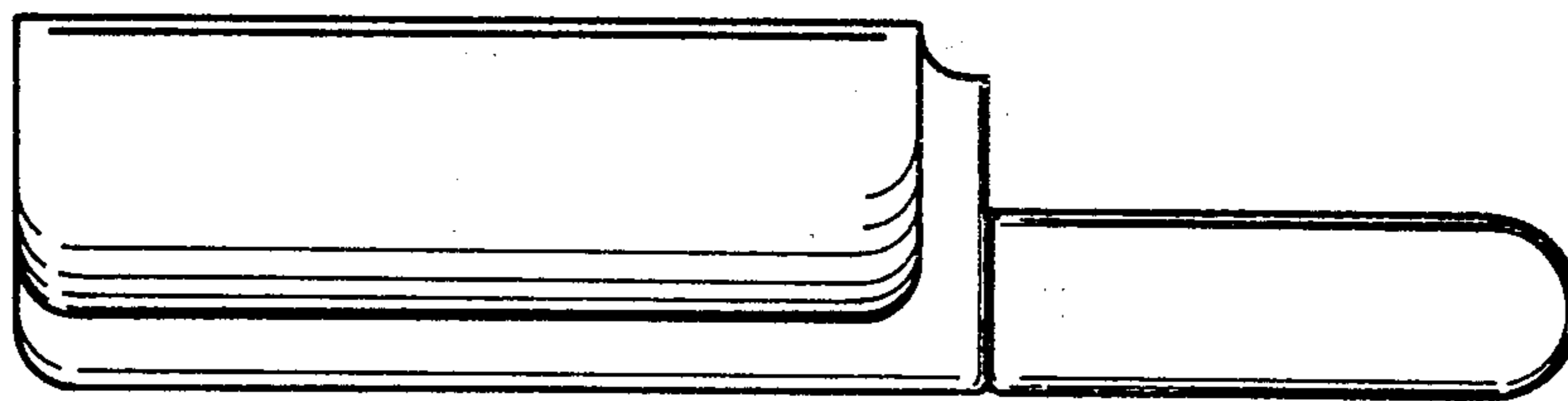
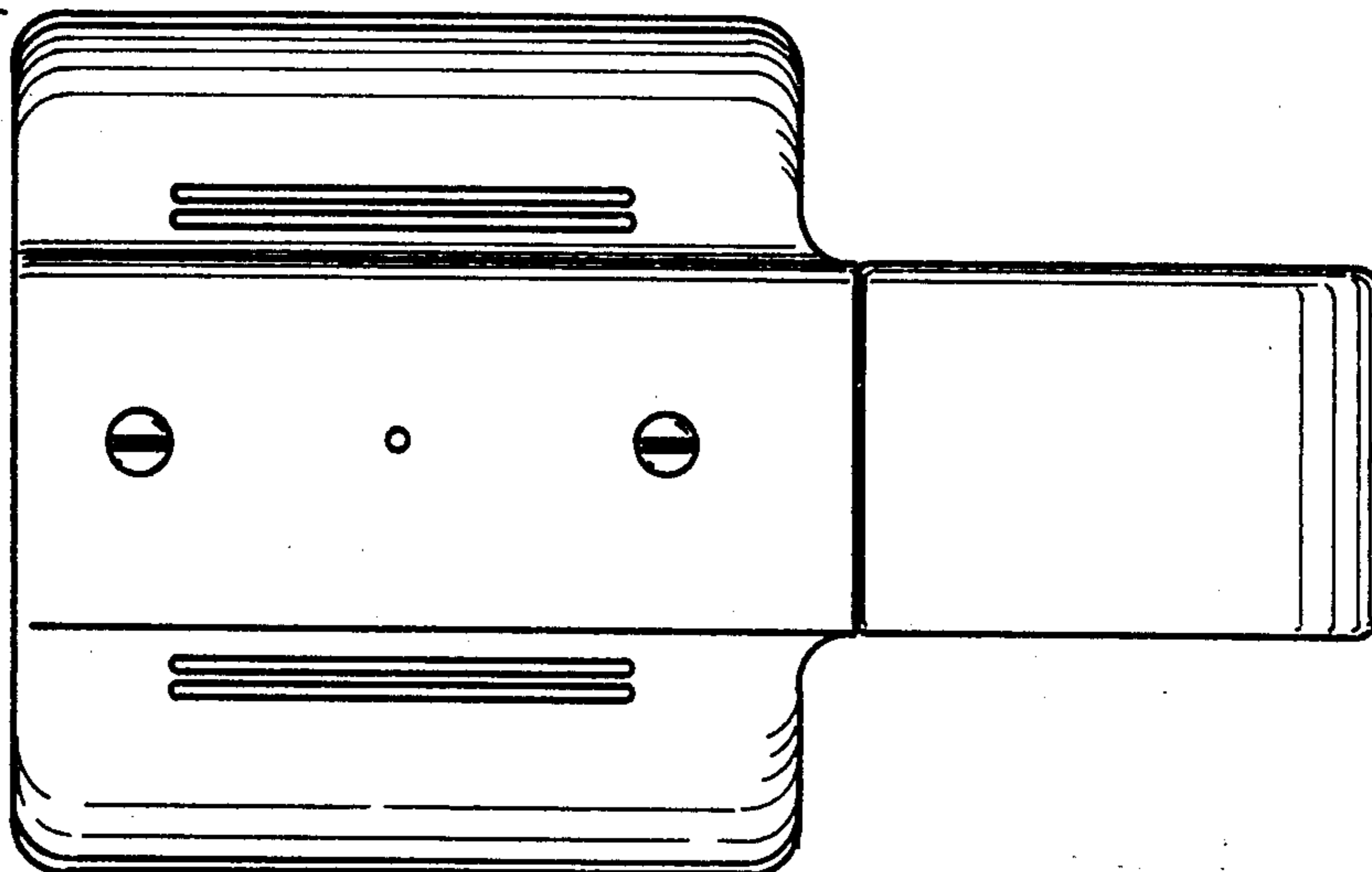


FIG. 3.



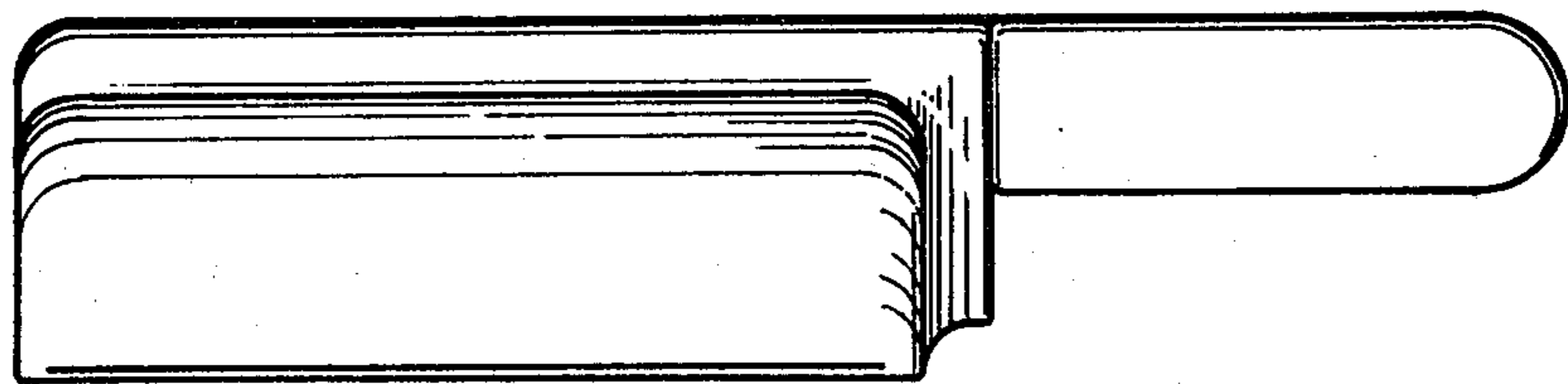


FIG. 5.

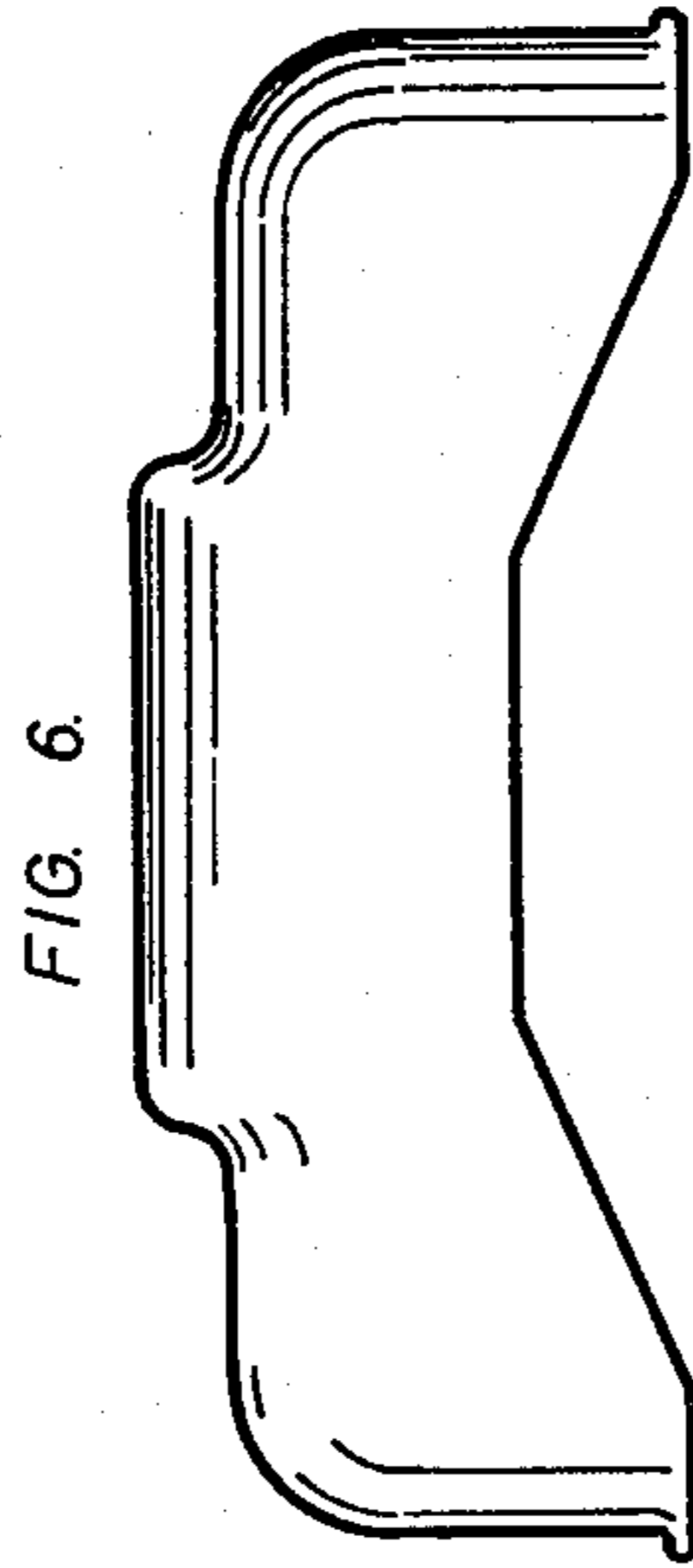


FIG. 6.

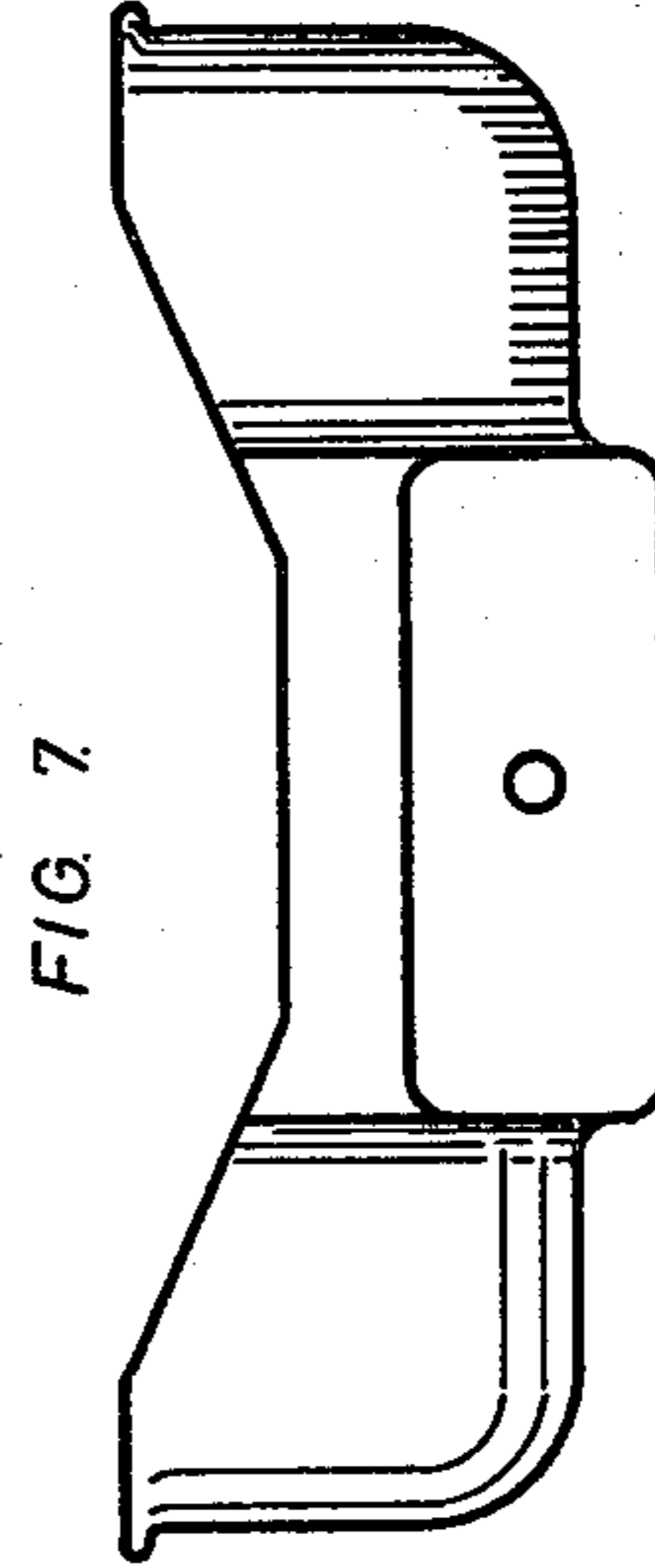


FIG. 7.