

[54] INFLATABLE SPLINT

[76] Inventor: Jan E. Andersson, Lutavägen 54, S-245 00 Staffanstorp, Sweden

[**] Term: 14 Years

[21] Appl. No.: 312,779

[22] Filed: Oct. 19, 1981

[30] Foreign Application Priority Data

Apr. 23, 1981 [SE] Sweden 81-1020

[52] U.S. Cl. D24/64

[58] Field of Search 128/87 R, DIG. 20, 89, 128/20, 133, 6, 90; D24/64

[56] References Cited

U.S. PATENT DOCUMENTS

- D. 262,911 2/1982 Weddell D24/64
- D. 268,802 5/1983 Fenwick D24/64 X
- 4,024,861 5/1977 Vincent 128/87 R

- 4,071,031 1/1978 Lowman 128/DIG. 20 X
- 4,265,232 5/1981 Stonich 128/133
- 4,340,042 7/1982 Smith 128/DIG. 20 X

Primary Examiner—Bernard Ansher
Attorney, Agent, or Firm—Shapiro and Shapiro

[57] CLAIM

The ornamental design for an inflatable splint, as shown and described.

DESCRIPTION

FIG. 1 is a front perspective view of an inflatable splint showing my new design;
 FIG. 2 is a rear perspective view thereof;
 FIG. 3 is a top plan view of the splint with a wedge bolster thereof omitted for clarity of illustration;
 FIG. 4 is a bottom perspective view of the inflatable splint; and
 FIG. 5 is a bottom perspective view of the wedge bolster, with straps thereof in an open condition, shown separately for ease of illustration.

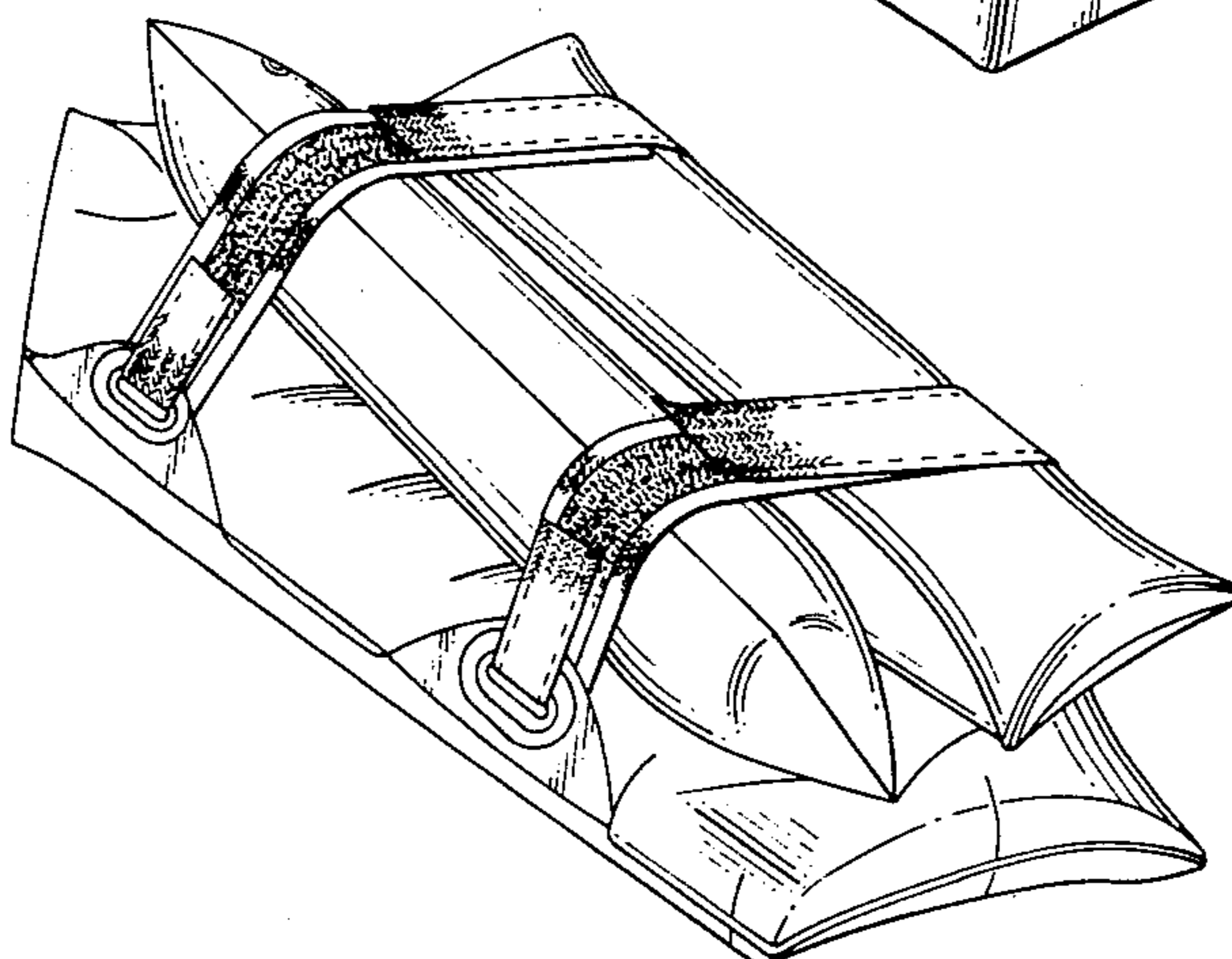
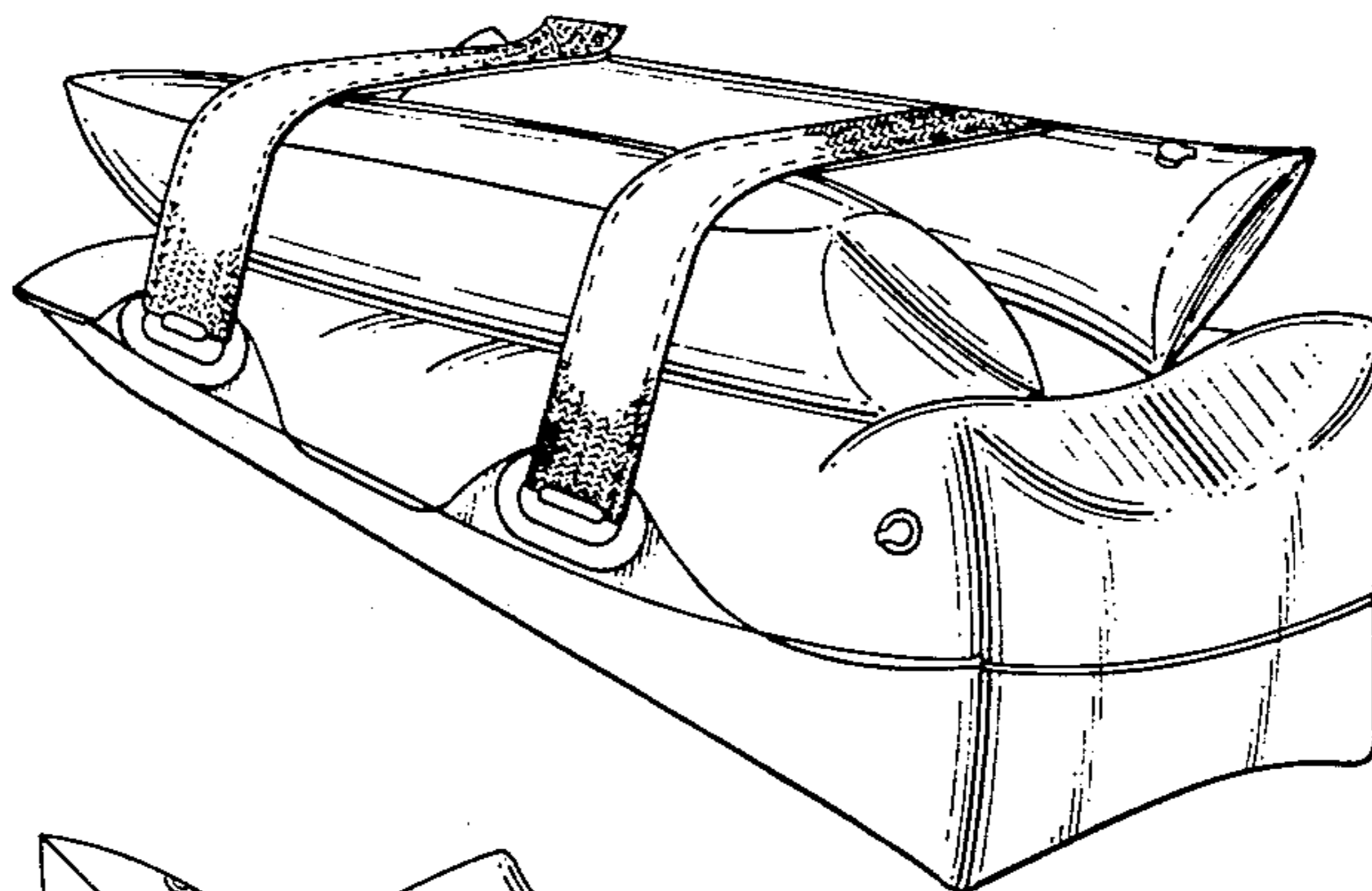


FIG. 1.

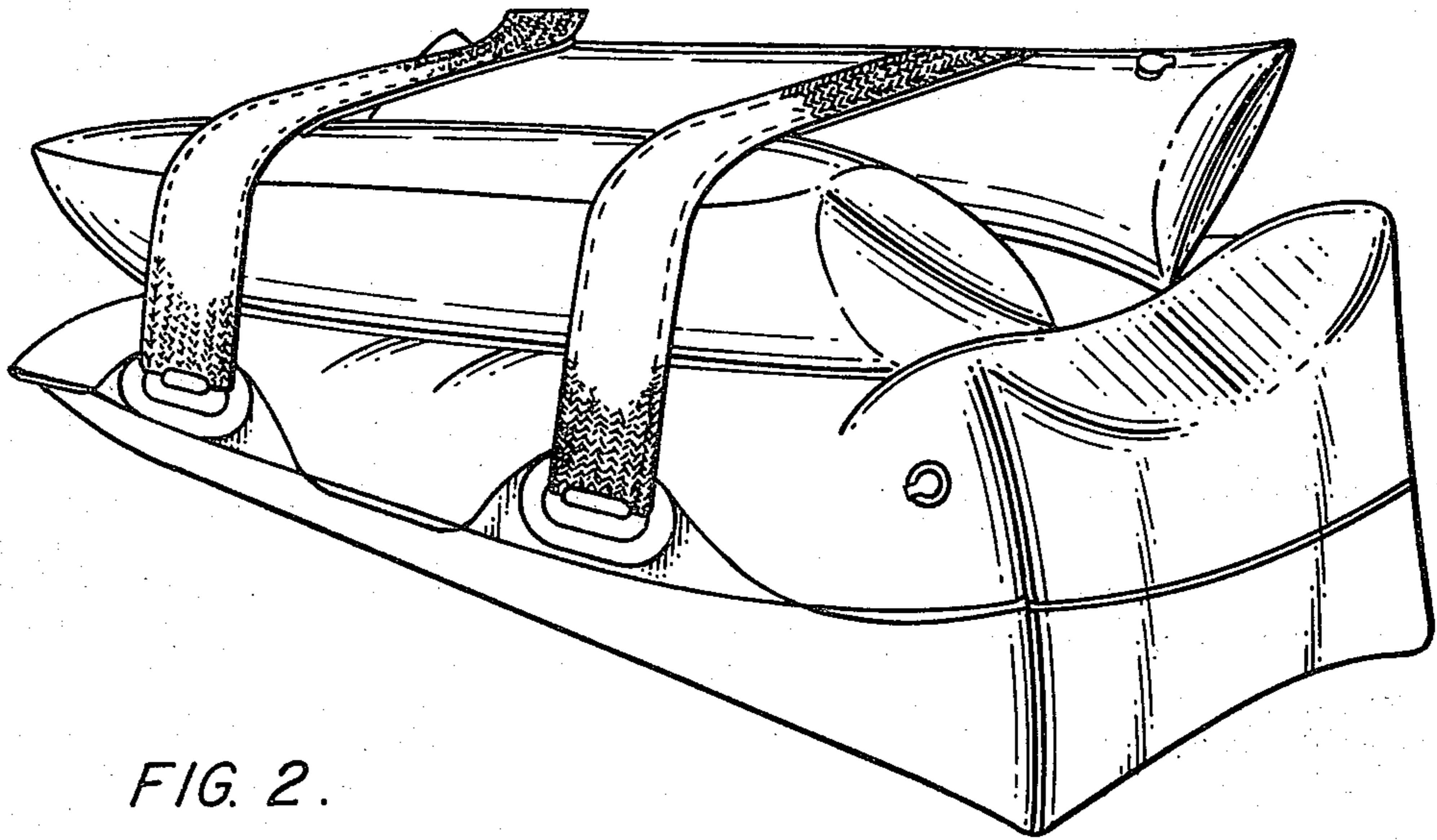


FIG. 2.

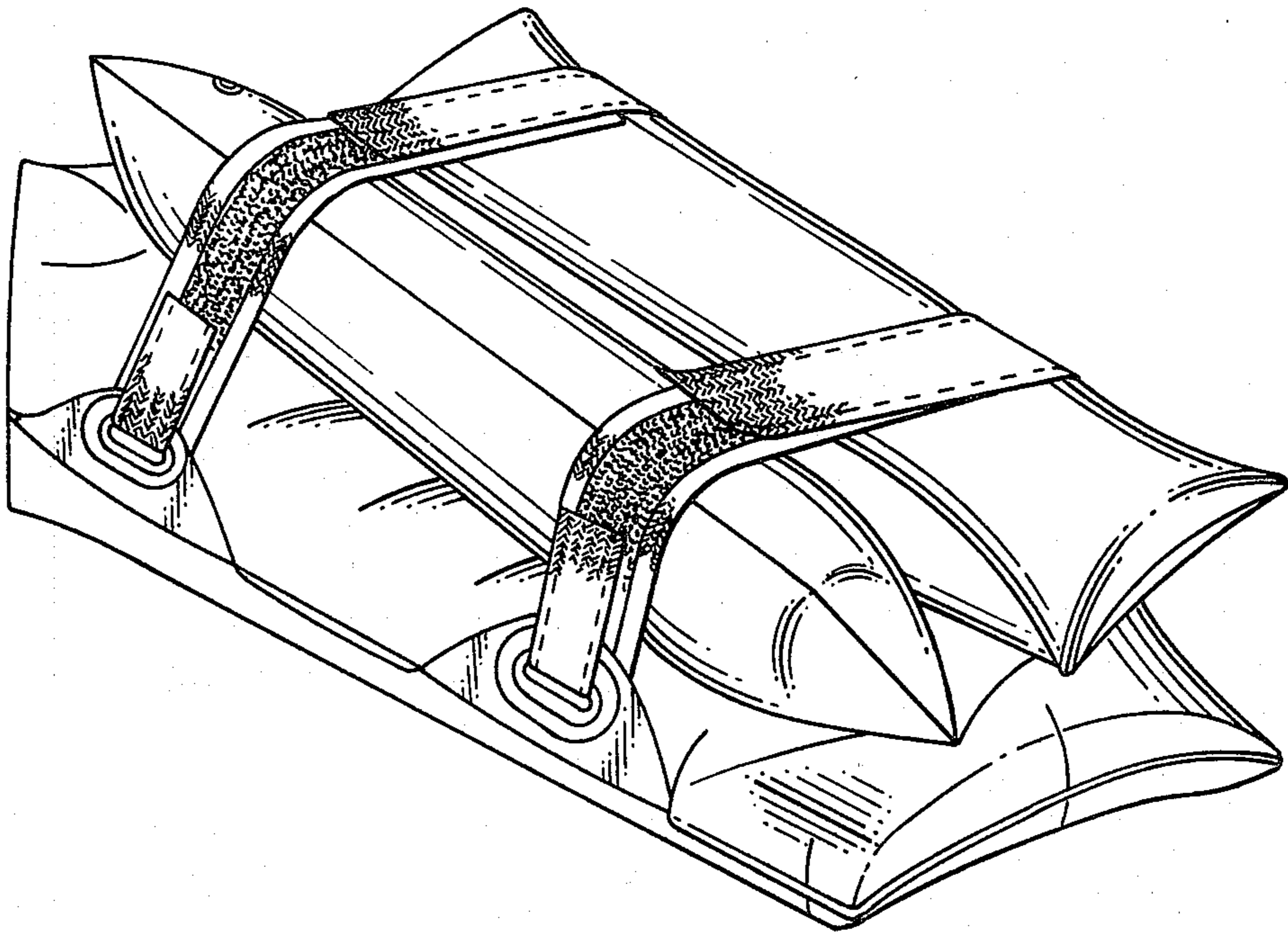


FIG. 3.

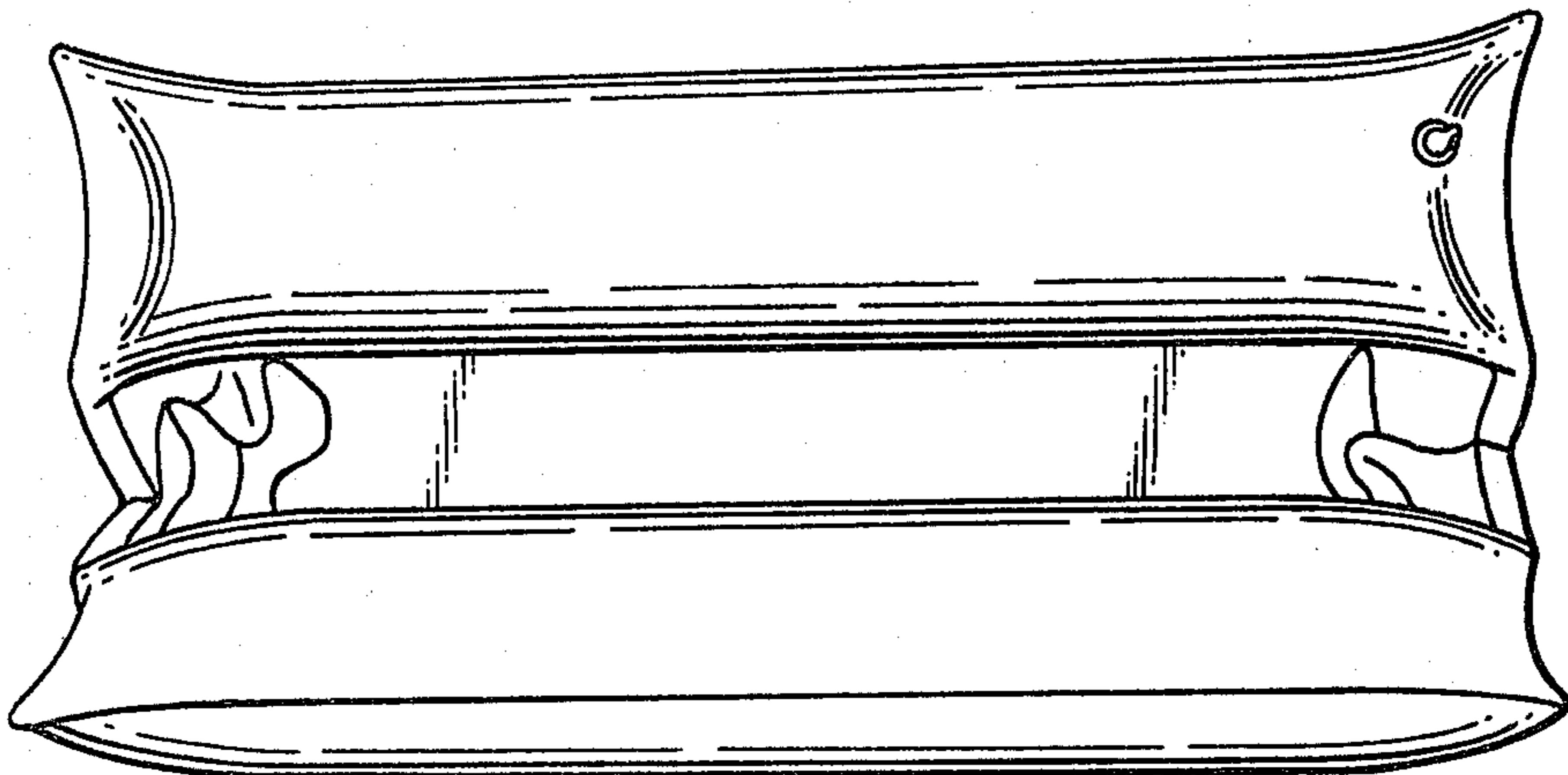


FIG. 4.

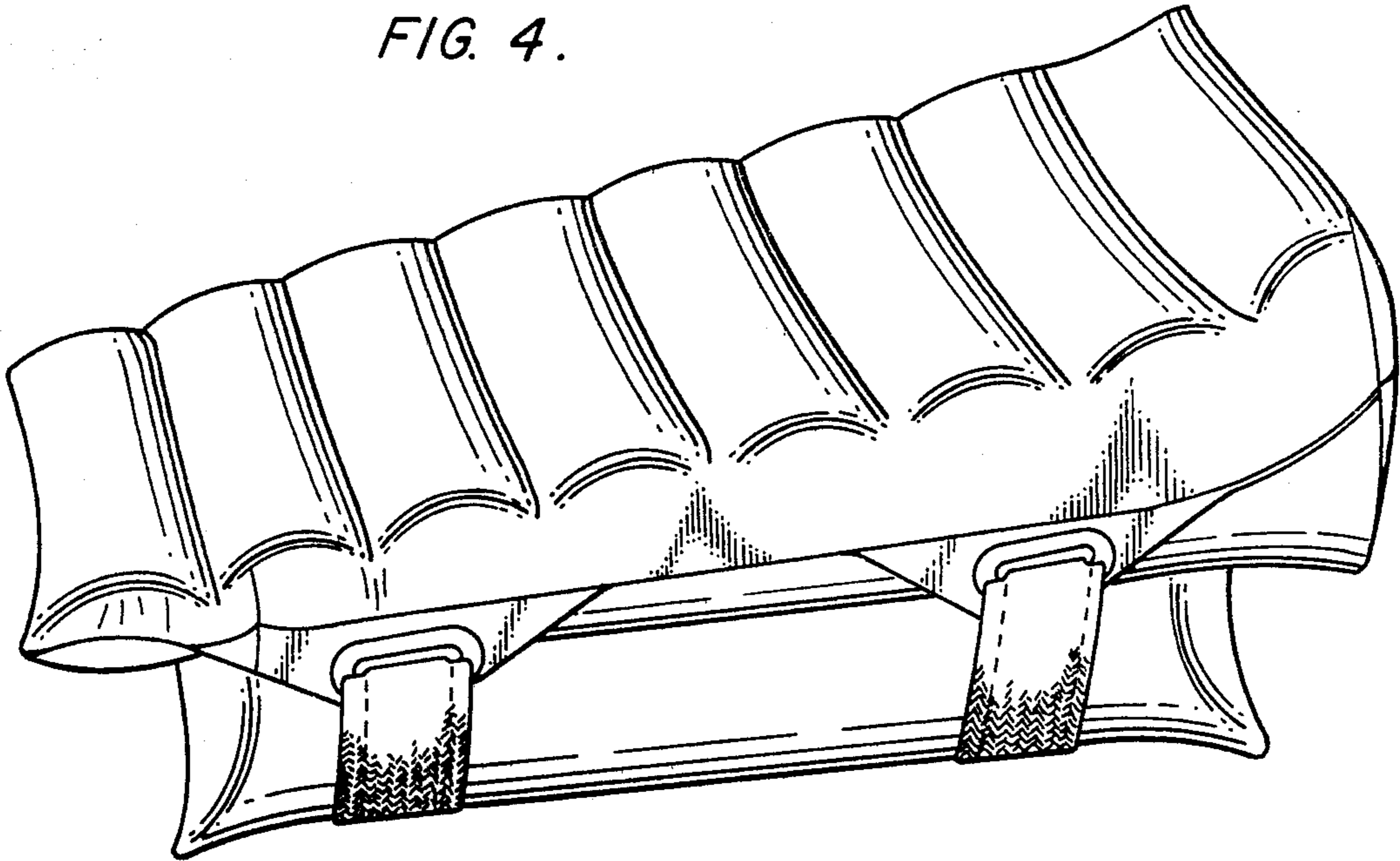


FIG. 5.

