

[54] FLUID LOADING DEVICE

[75] Inventor: Manfred Hegemann, South Nyack, N.Y.

[73] Assignee: Electro-Nucleonics, Inc., Fairfield, N.J.

[**] Term: 14 Years

[21] Appl. No.: 405,300

[22] Filed: Aug. 4, 1982

Related U.S. Application Data

[62] Continuation-in-part of Ser. No. 312,682, Oct. 19, 1981, abandoned.

[52] U.S. Cl. D24/8; D10/81

[58] Field of Search 222/135, 137; 73/863.032; D24/8; D10/81

[56]

References Cited

U.S. PATENT DOCUMENTS

D. 210,721	4/1968	Albrecht	D10/81
D. 228,346	9/1973	Blumenfeld	D24/8
D. 269,703	7/1983	Parker	D24/8
3,837,534	9/1974	Natelson	222/137
4,235,840	11/1980	Mendoza et al.	73/864.25 X

Primary Examiner—Bernard Ansher
Attorney, Agent, or Firm—Robert Scobey

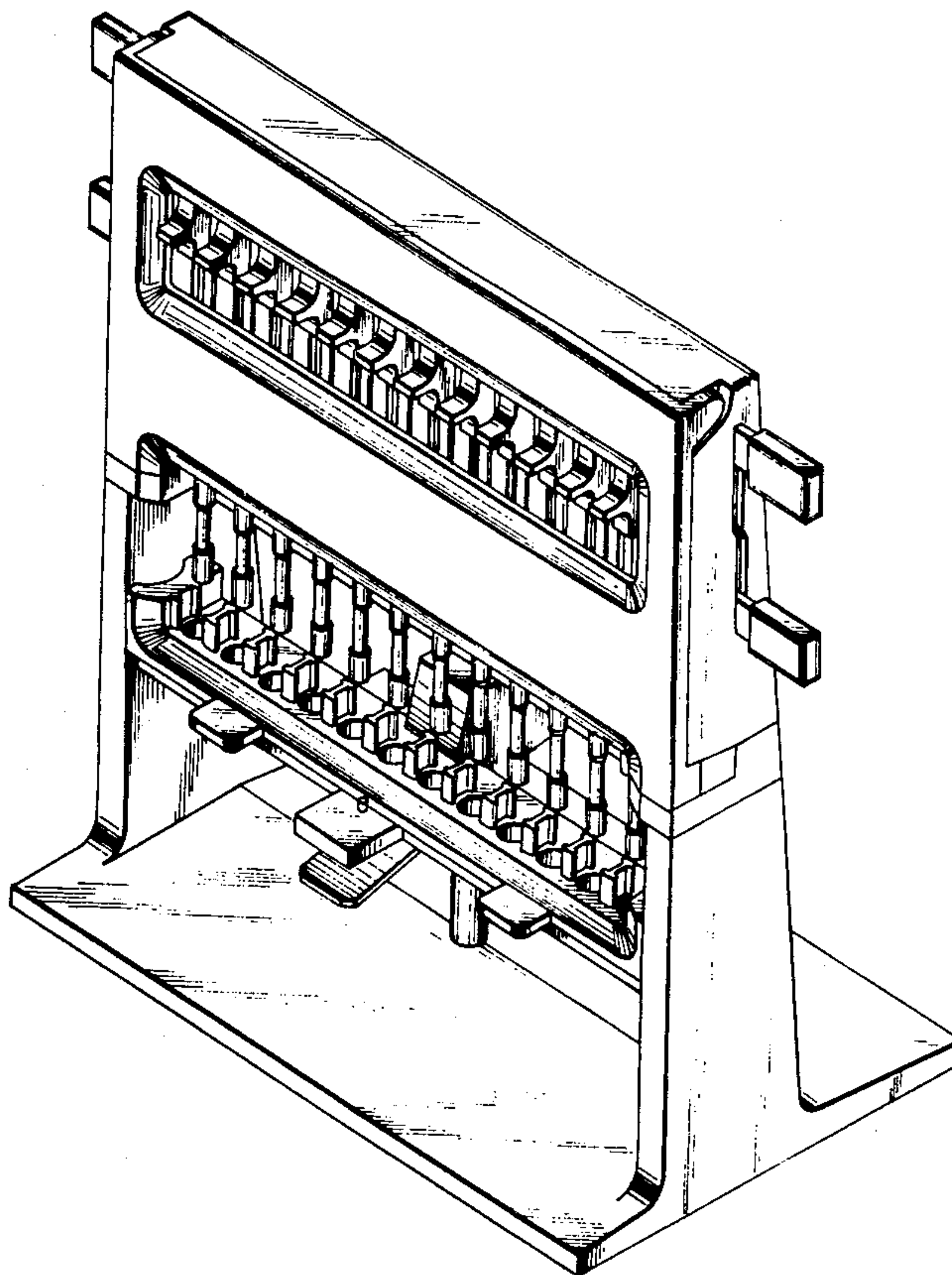
[57]

CLAIM

The ornamental design for fluid loading device, as shown and described.

DESCRIPTION

FIG. 1 is a front perspective view of a fluid loading device embodying my design.
FIG. 2 is a side elevation thereof;
FIG. 3 is a rear elevation thereof.



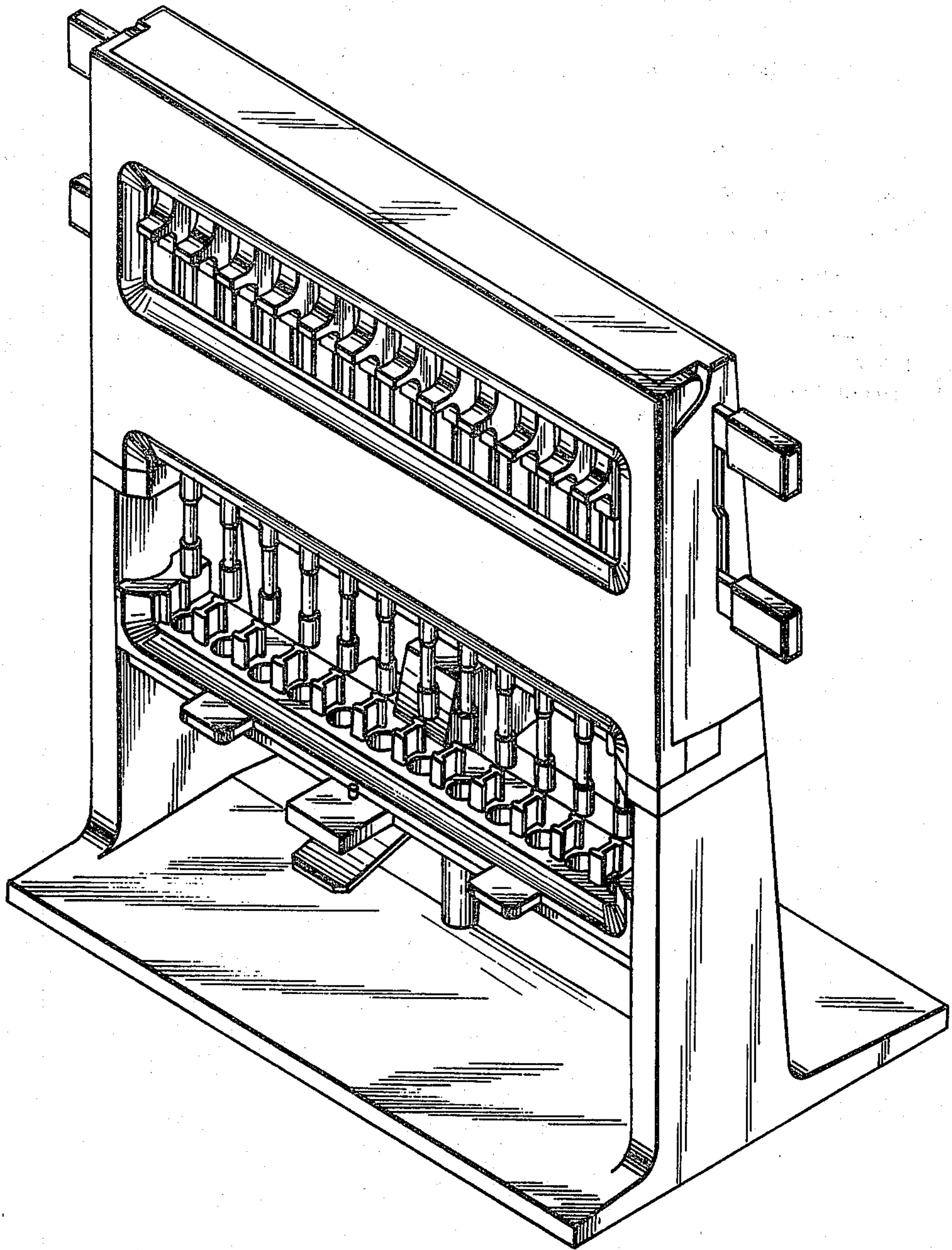


FIG. 1

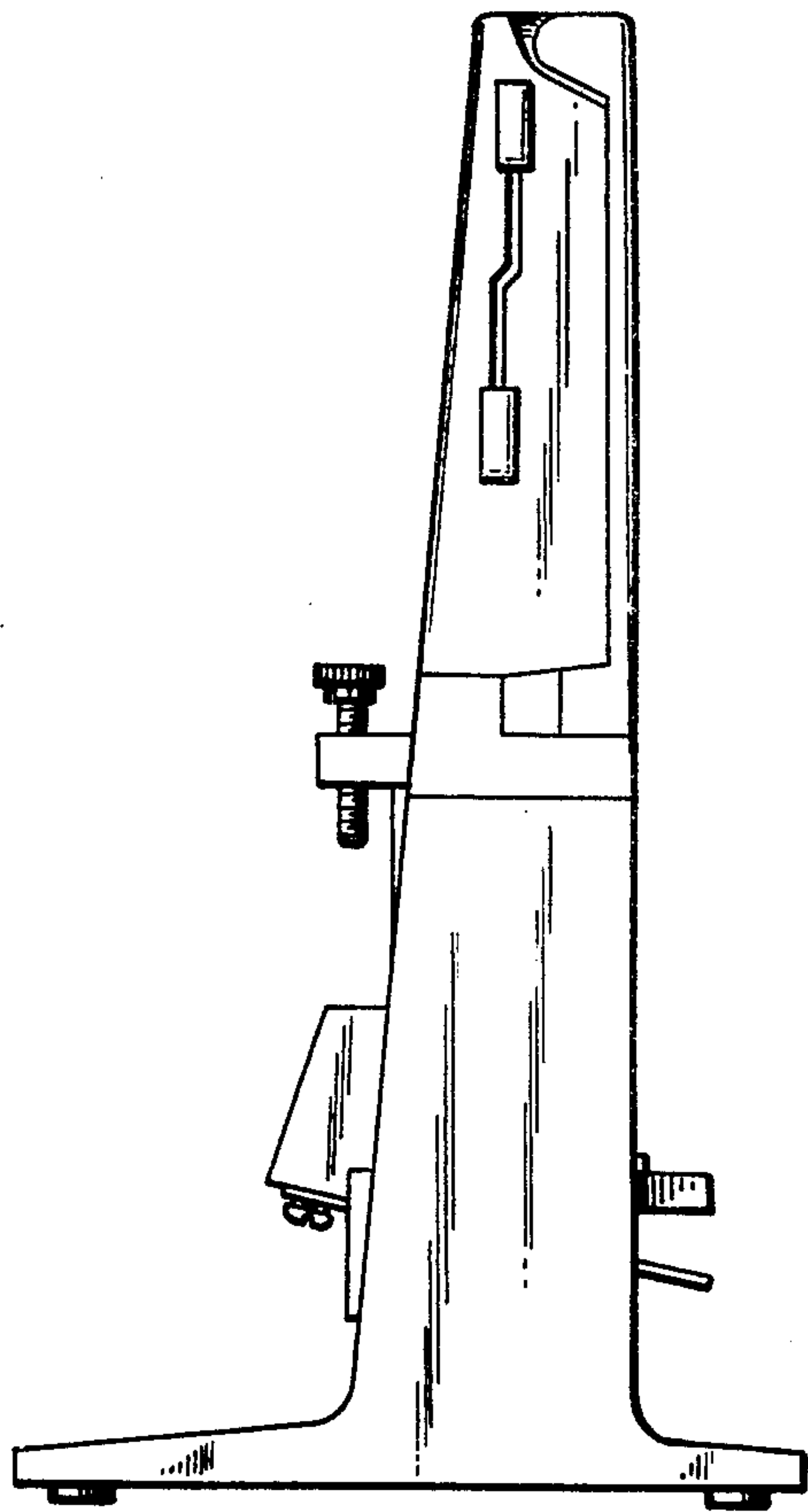


FIG. 2

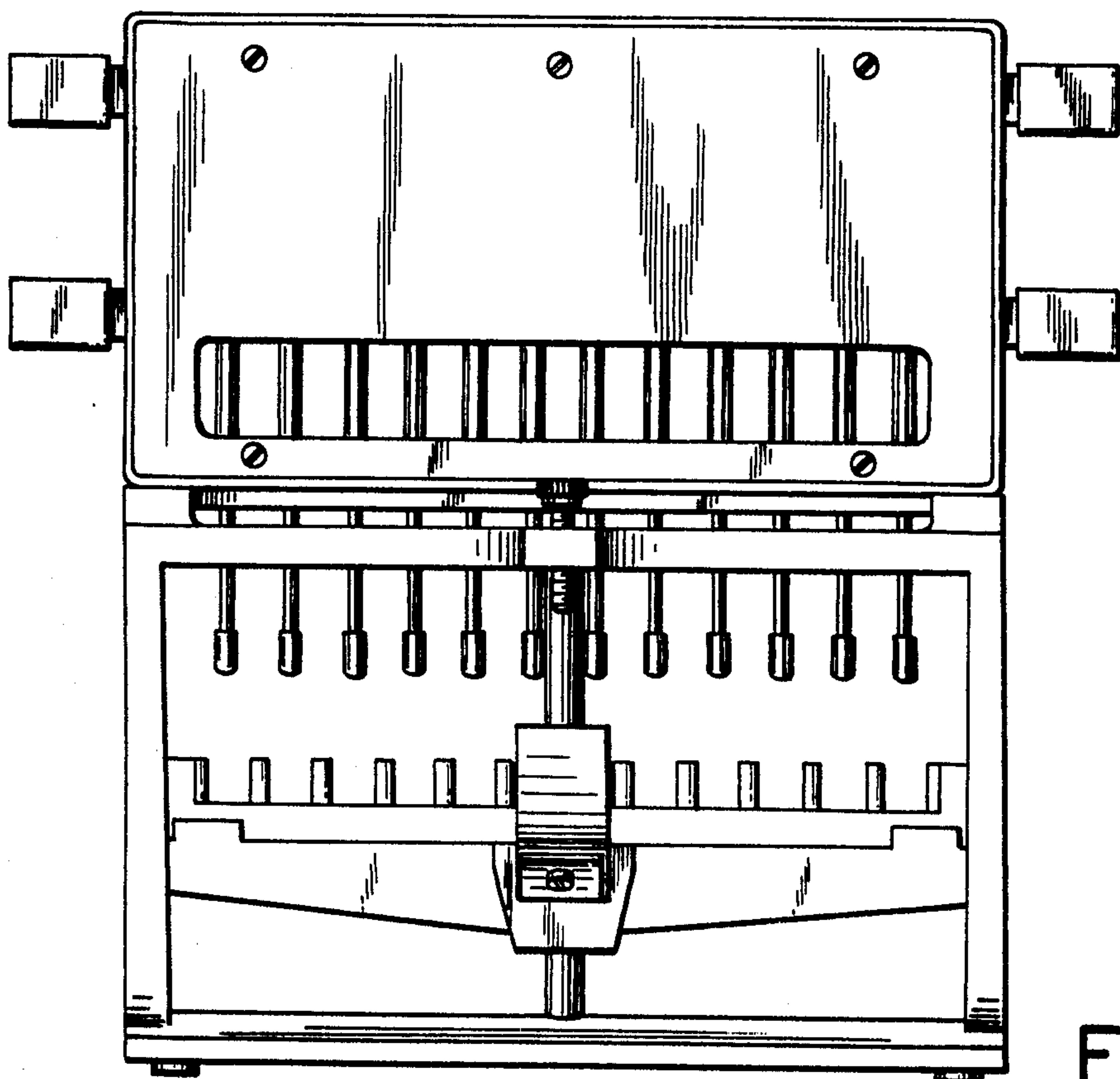


FIG. 3